



US00D414887S

United States Patent [19]

McDonald et al.

[11] Patent Number: **Des. 414,887**

[45] Date of Patent: **** Oct. 5, 1999**

[54] FLASHLIGHT

[75] Inventors: **Milly S. McDonald; Maria L. Bionde**, both of Dallas, Tex.; **Ellis Hon Siu Cheong**, Hong Kong, The Hong Kong Special Administrative Region of the People's Republic of China

[73] Assignee: **The Brinkmann Corporation**, Dallas, Tex.

[**] Term: **14 Years**

[21] Appl. No.: **29/089,979**

[22] Filed: **Jun. 26, 1998**

[51] LOC (6) Cl. **26-02**

[52] U.S. Cl. **D26/46**

[58] Field of Search D26/37-50; 362/157, 362/158, 183-208

[56] References Cited

U.S. PATENT DOCUMENTS

D. 263,170	2/1982	Maglica .	
D. 297,828	9/1988	Bromley et al. .	
D. 298,748	11/1988	Sharrah et al. .	
D. 303,107	8/1989	Maglica et al. .	
D. 308,109	5/1990	Maglica et al. .	
D. 311,780	10/1990	Urquhart .	
D. 342,333	12/1993	Maglica .	
D. 345,958	4/1994	Keller et al. .	
D. 348,112	6/1994	Maglica .	
D. 351,245	10/1994	Maglica .	
D. 353,217	12/1994	Maglica .	
D. 360,044	7/1995	Tillery	D26/49
D. 363,361	10/1995	Maglica .	
D. 365,647	12/1995	Witte	D26/46
D. 367,721	3/1996	Maglica .	
D. 386,271	11/1997	Shiau	D26/46

OTHER PUBLICATIONS

The Brinkmann Corporation 1997 Product Catalog, pp. 28-59.

Mag Instrument catalog, pp. 8 and 15, 1994.

Streamlight Catalog, pp. 3-7, 9-14, Jan., 1997.

Nordic brochure, 1997.

Appl. No. 29/089,978 pending McDonald et al. Jun. 26, 1998.

Appl. No. 29/089,977 pending McDonald et al. Jun. 26, 1998.

Primary Examiner—Marcus A. Jackson

Attorney, Agent, or Firm—Keith A. Newbury, Esq.; Sheppard, Mullin, Richter & Hampton LLP

[57] CLAIM

We claim the ornamental design for a flashlight, as shown and described.

DESCRIPTION

FIG. 1 is a perspective view of a flashlight embodying our new design.

FIG. 2 is a left side elevational view thereof, which is a mirror image of the right side elevational view thereof and identical to the top and bottom plan views thereof.

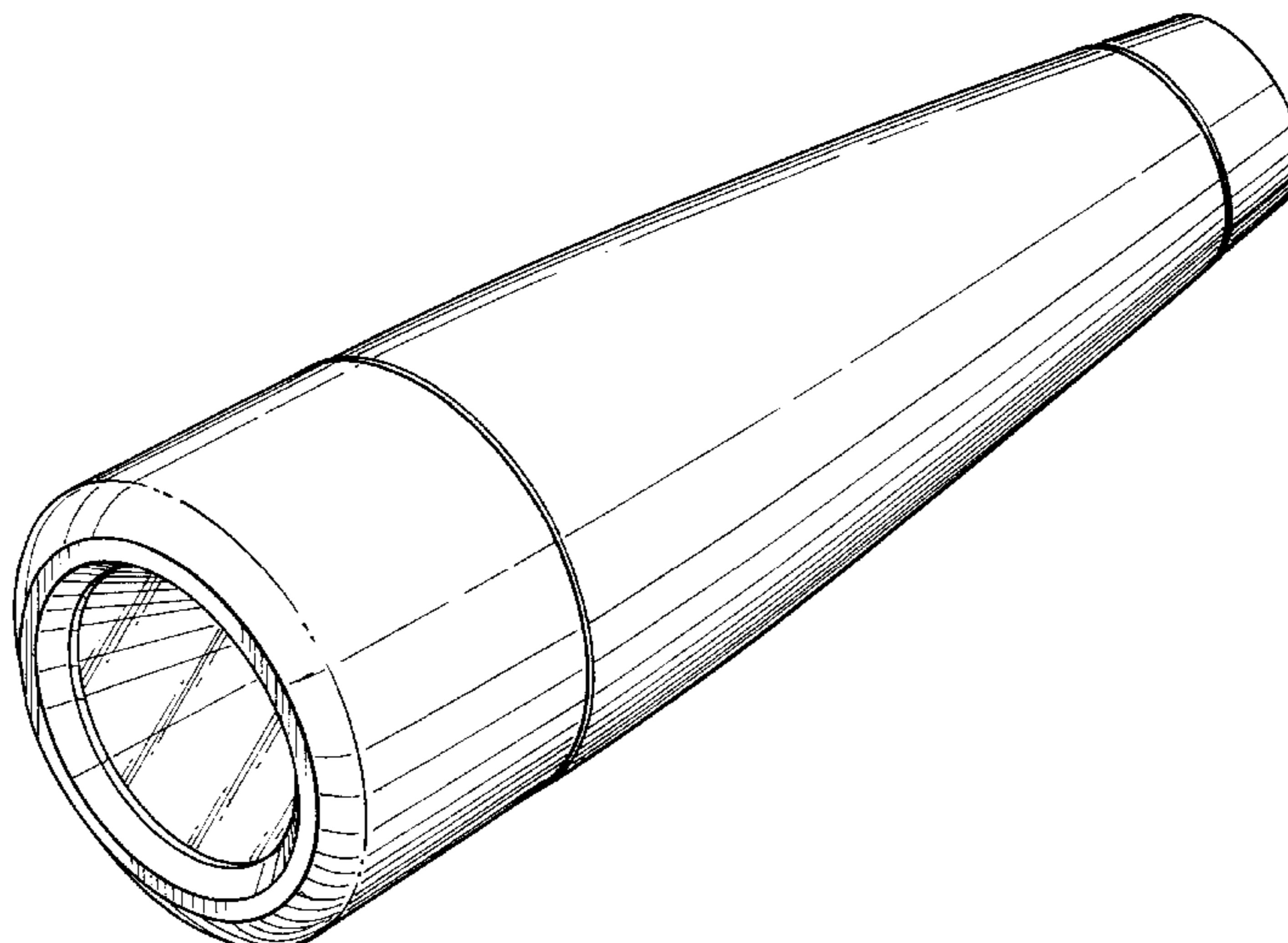
FIG. 3 is a front side elevational view thereof.

FIG. 4 is a rear side elevational view thereof.

FIG. 5 is a left side elevational view of a second embodiment of a flashlight embodying our new design, which is a mirror image of the right side elevational view thereof and identical to the top and bottom plan views thereof, the front and rear side elevational views being identical to the views of FIGS. 3 and 4, respectively; and,

FIG. 6 is a left side elevational view of a third embodiment of a flashlight embodying our new design, which is a mirror image of the right side elevational view thereof and identical to the top and bottom plan views thereof, the front and rear side elevational views being identical to the views of FIGS. 3 and 4, respectively.

1 Claim, 3 Drawing Sheets



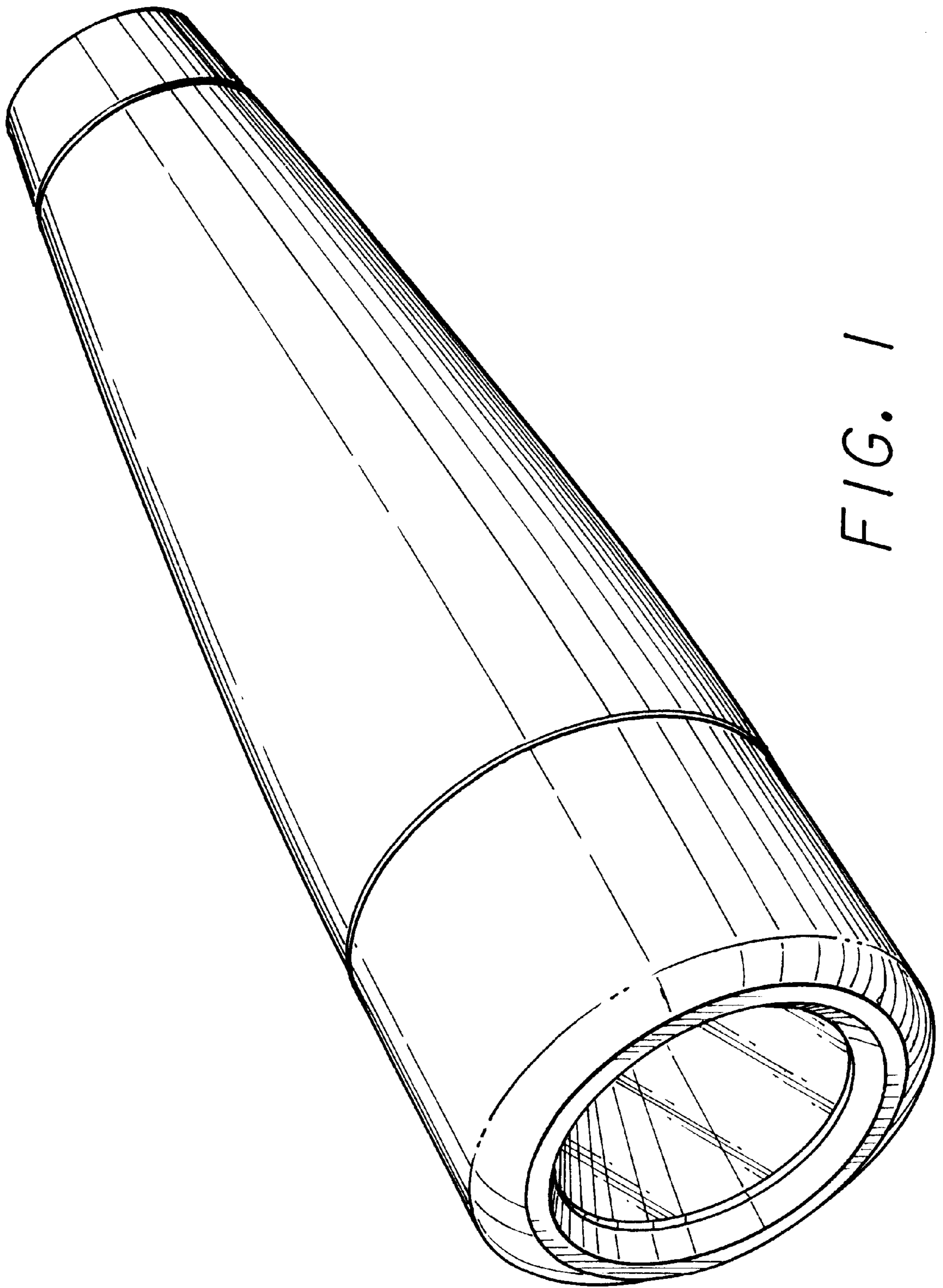


FIG. 1

FIG. 2

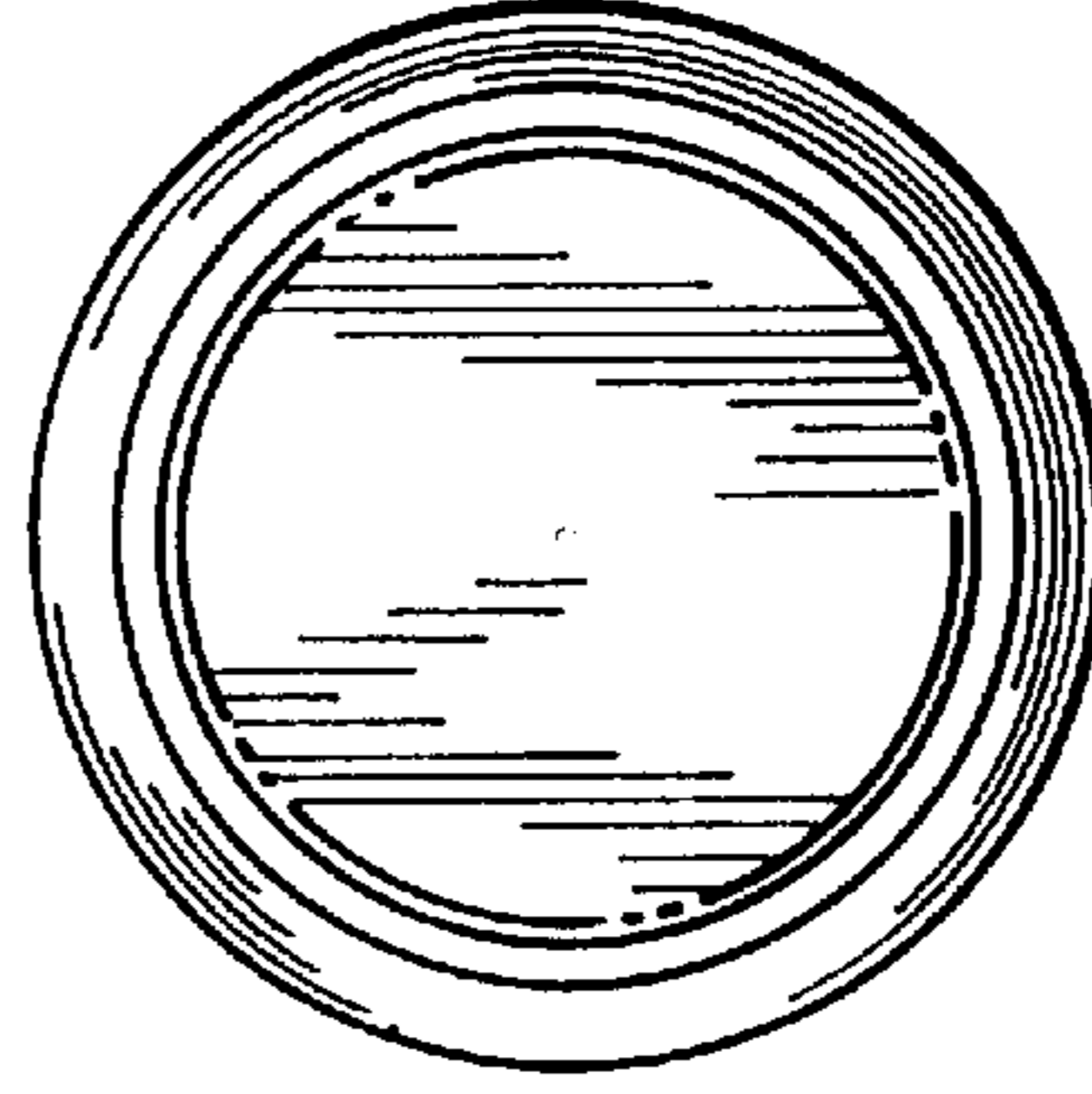
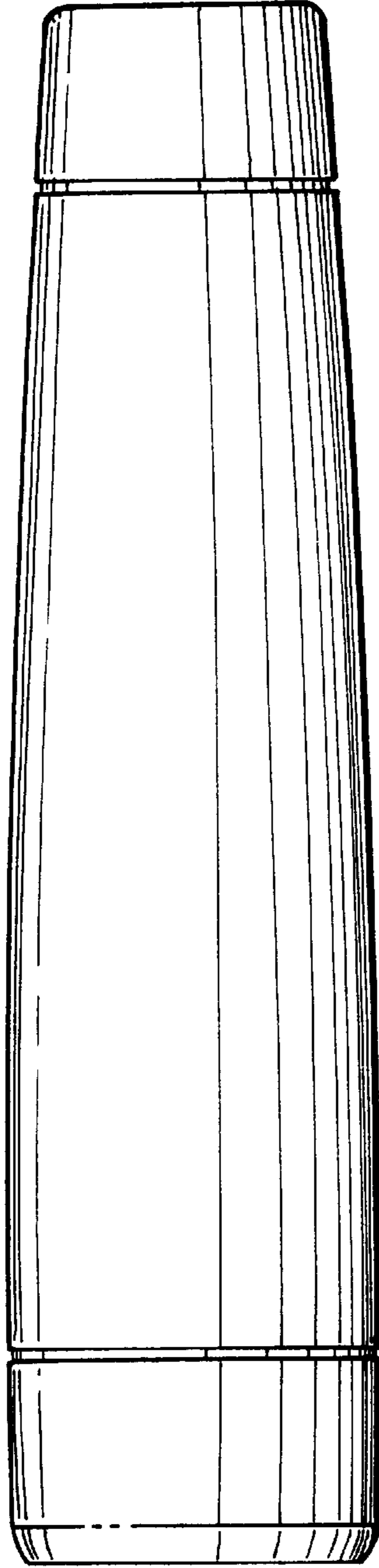


FIG. 4

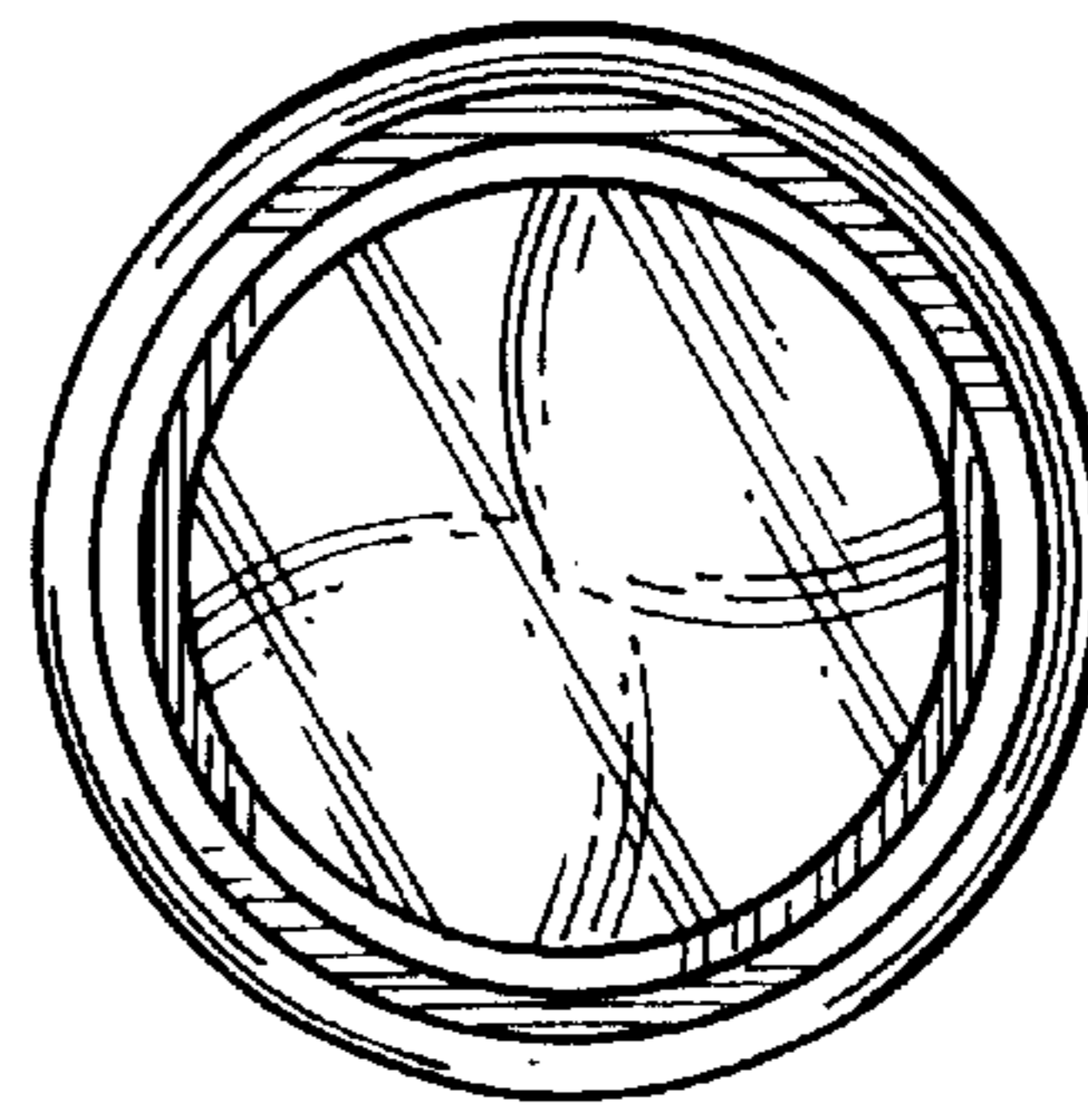


FIG. 3

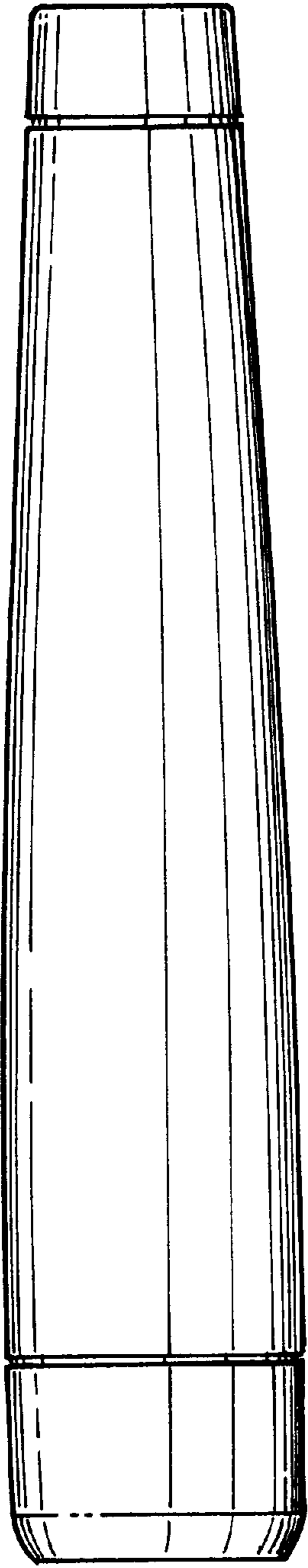


FIG. 5

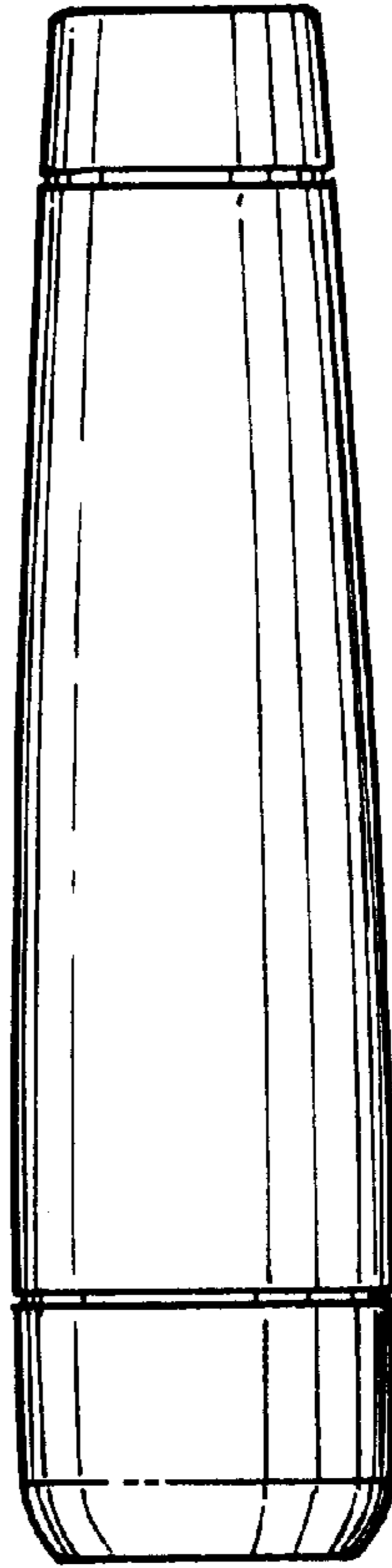


FIG. 6