



US00D414886S

# United States Patent [19]

[11] Patent Number: **Des. 414,886**

Lo

[45] Date of Patent: **\*\* Oct. 5, 1999**

[54] LANTERN

D. 351,918 10/1994 Poon ..... D26/42  
D. 374,098 9/1996 Zo ..... D26/42

[75] Inventor: **Ying-Hoi Lo**, New Territories, The Hong Kong Special Administrative Region of the People's Republic of China

*Primary Examiner*—Marcus A. Jackson  
*Attorney, Agent, or Firm*—Burns, Doane, Swecker & Mathis

[73] Assignee: **Lomak Industrial Co. Ltd.**, The Hong Kong Special Administrative Region of the People's Republic of China

## [57] CLAIM

[\*\*] Term: **14 Years**

The ornamental design for a “lantern”, as shown and described.

[21] Appl. No.: **29/059,561**

## DESCRIPTION

[22] Filed: **Sep. 13, 1996**

FIG. 1 is a front view of a “lantern” showing my design; the rear view corresponds;

[51] LOC (6) Cl. .... **26-02**

[52] U.S. Cl. .... **D26/42**

FIG. 2 is a left side view thereof, and right side view corresponds;

[58] Field of Search ..... D26/37-50; 362/156, 362/157, 158, 163, 171, 172, 173, 178, 181, 182, 183-202, 206, 208

FIG. 3 is a top plan view thereof; and,

FIG. 4 is a bottom plan view thereof.

## [56] References Cited

### U.S. PATENT DOCUMENTS

D. 343,242 1/1994 Poon ..... D26/42

**1 Claim, 4 Drawing Sheets**

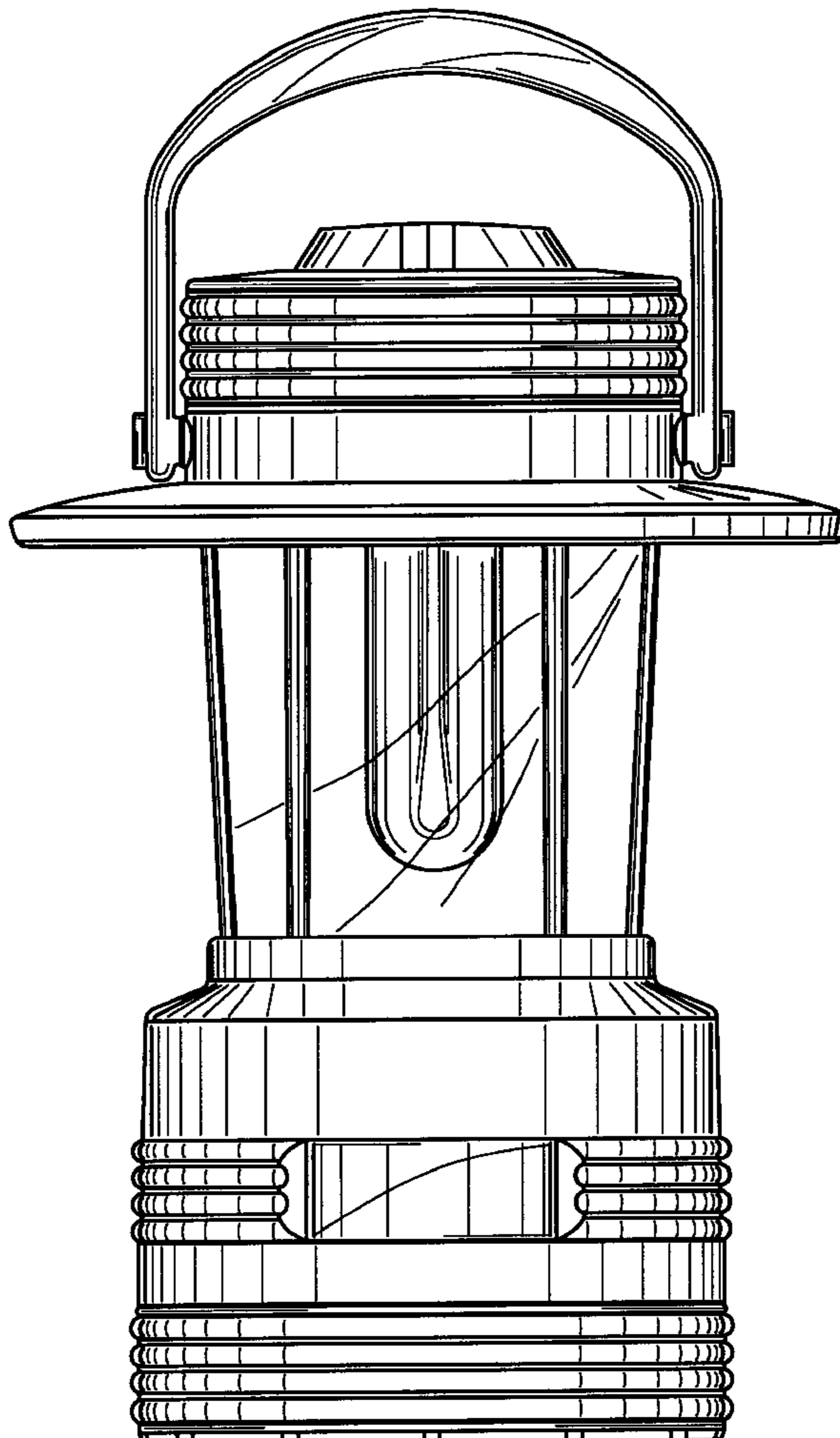


FIG. 1

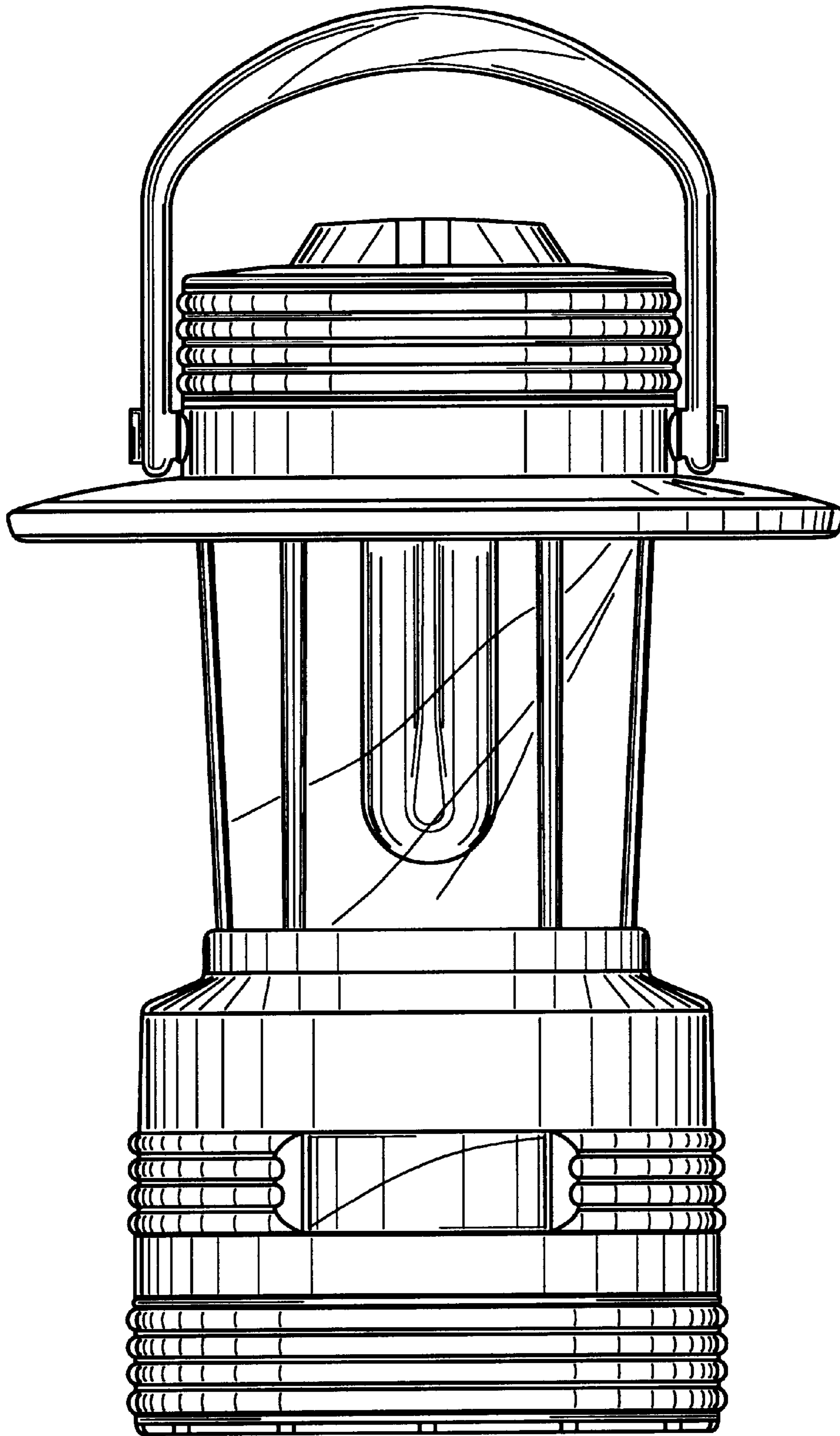


FIG. 2

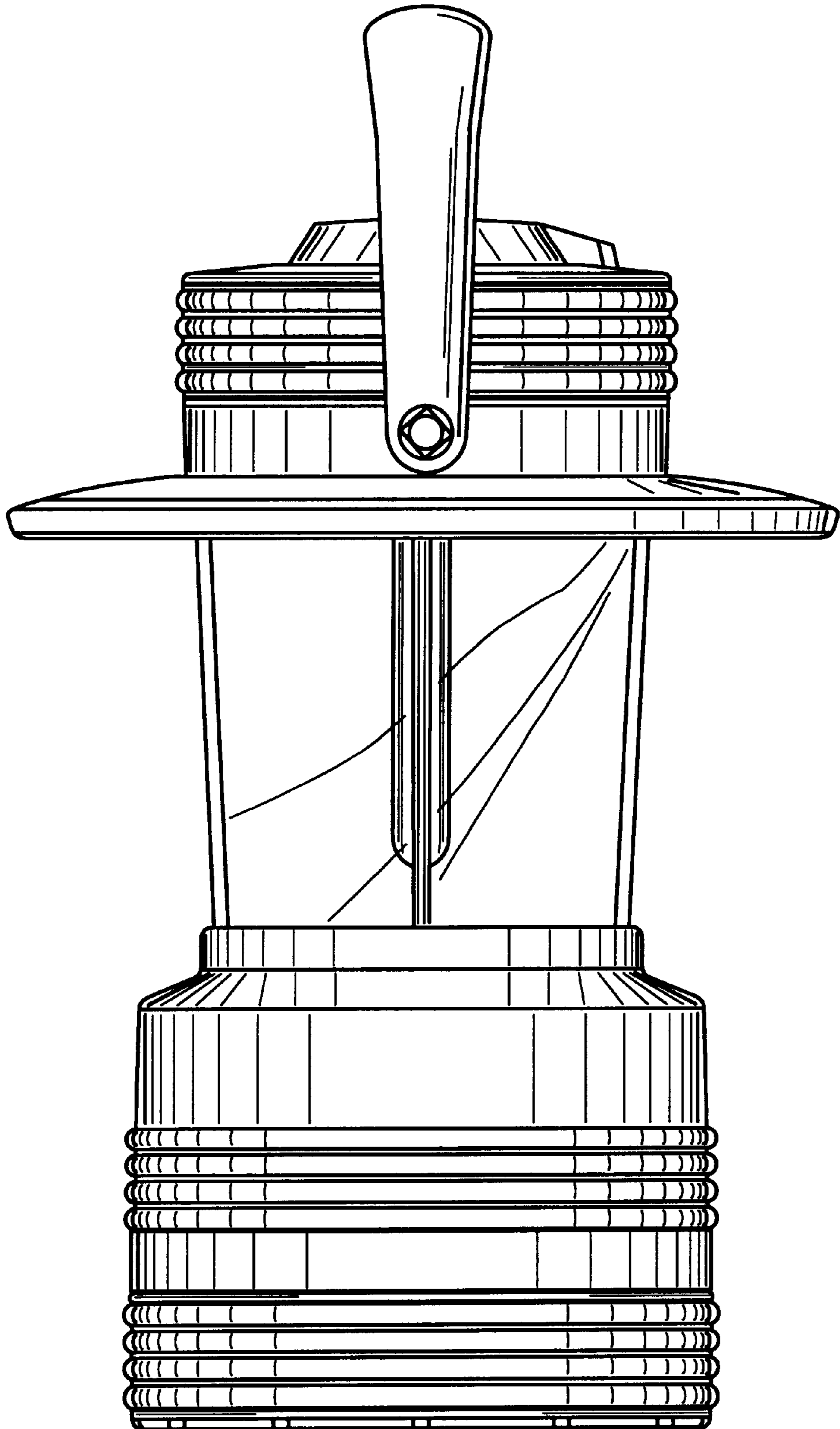


FIG. 3

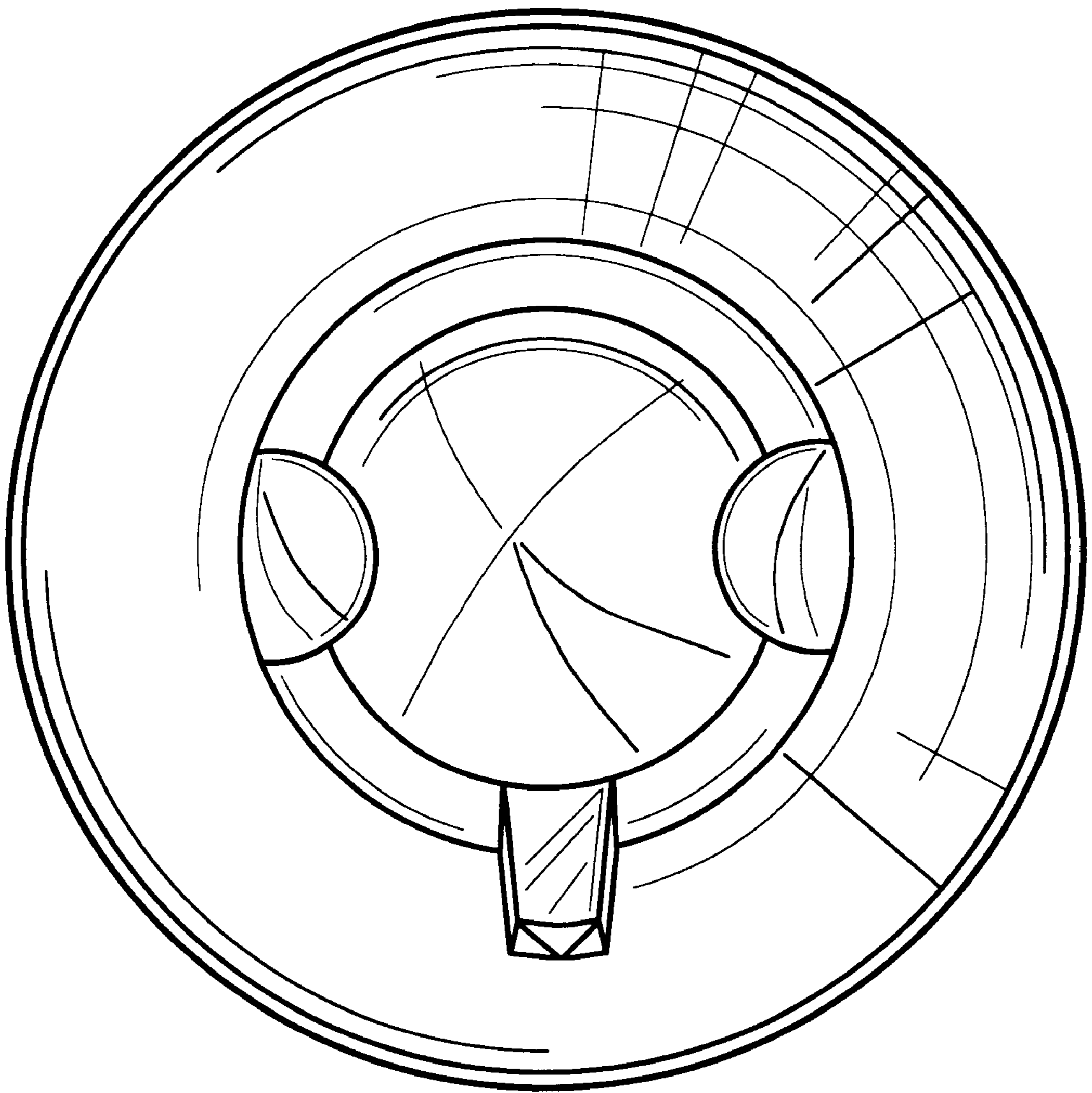


FIG. 4

