



US00D414884S

United States Patent [19]

Tsutsui

[11] Patent Number: **Des. 414,884**

[45] Date of Patent: **** Oct. 5, 1999**

[54] **DISCHARGE LAMP**

[75] Inventor: **Naoki Tsutsui**, Yokosuka, Japan

[73] Assignee: **Toshiba Lightec Kabushiki Kaisha**,
Tokyo, Japan

[**] Term: **14 Years**

[21] Appl. No.: **29/099,223**

[22] Filed: **Jan. 15, 1999**

[30] Foreign Application Priority Data

Jul. 21, 1998 [JP] Japan 10-20919

[51] **LOC (6) Cl.** **26-06**

[52] **U.S. Cl.** **D26/3**

[58] **Field of Search** D26/1, 2, 3, 26;
313/313, 315, 317, 318, 634; 315/41, 53,
54, 56, 58, 59, 62, 65, 70, 75; 362/216,
226

[56] References Cited

U.S. PATENT DOCUMENTS

D. 272,098 1/1984 Haraden et al. D26/3
D. 273,809 5/1984 Chapman et al. D26/3

D. 353,899 12/1994 Fao D26/3
D. 362,733 9/1995 Murata D26/3

Primary Examiner—Marcus A. Jackson
Attorney, Agent, or Firm—Laff, Whitesel & Saret, Ltd.; J.
Warren Whitesel

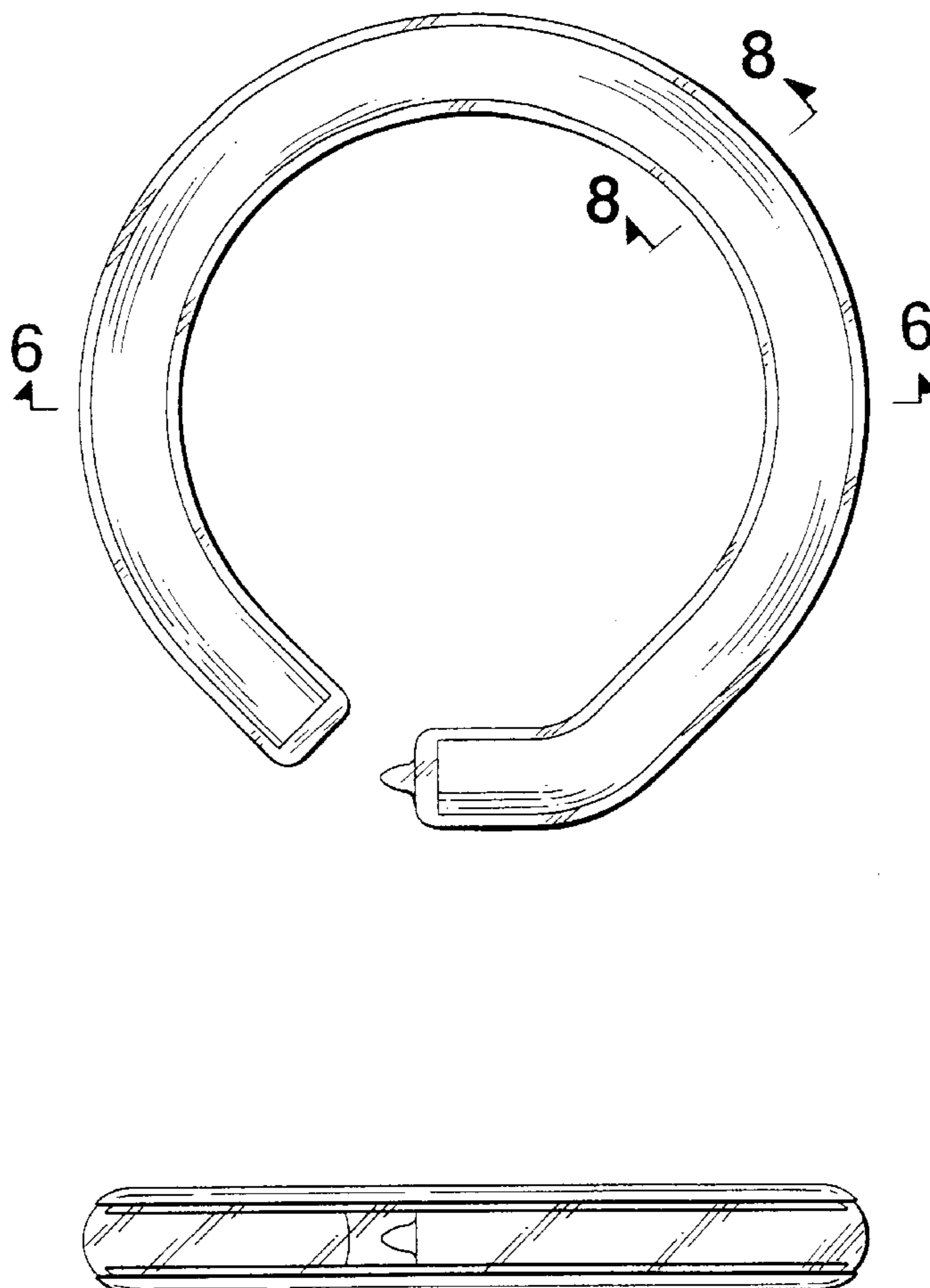
[57] CLAIM

The ornamental design for discharge lamp, as shown and described.

DESCRIPTION

FIG. 1 is a front elevational view of discharge lamp, showing my new design, the opposite side being a mirror image thereof;
FIG. 2 is a top plan view thereof;
FIG. 3 is a bottom plan view thereof;
FIG. 4 is a right side elevational view thereof;
FIG. 5 is a left side elevational view thereof;
FIG. 6 is a cross-sectional view taken along line 6—6 in FIG. 1;
FIG. 7 is a cross-sectional view taken along line 7—7 in FIG. 7; and,
FIG. 8 is a enlarged end view taken along line 8—8 in FIG. 1.

1 Claim, 2 Drawing Sheets



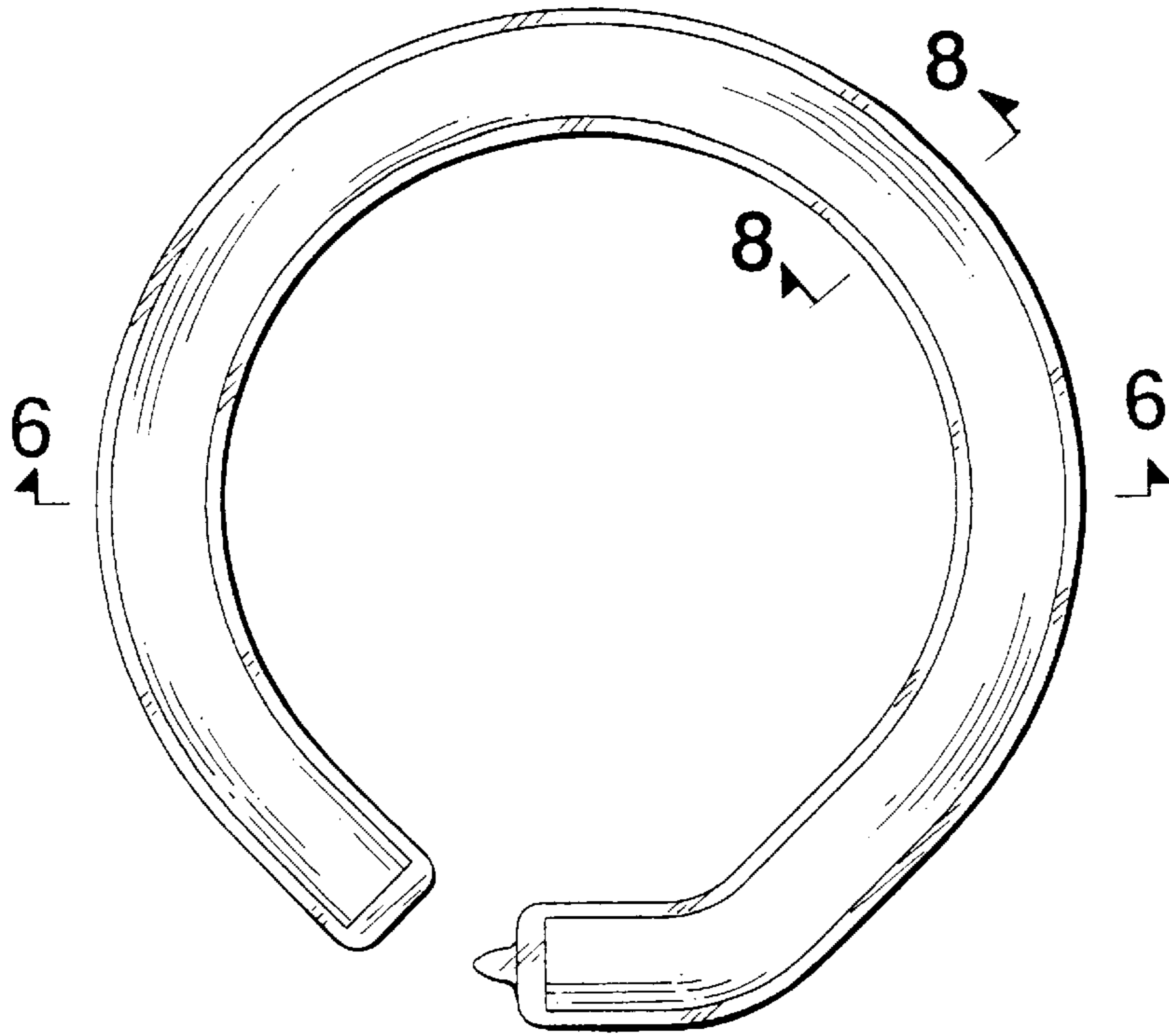


FIG. 1

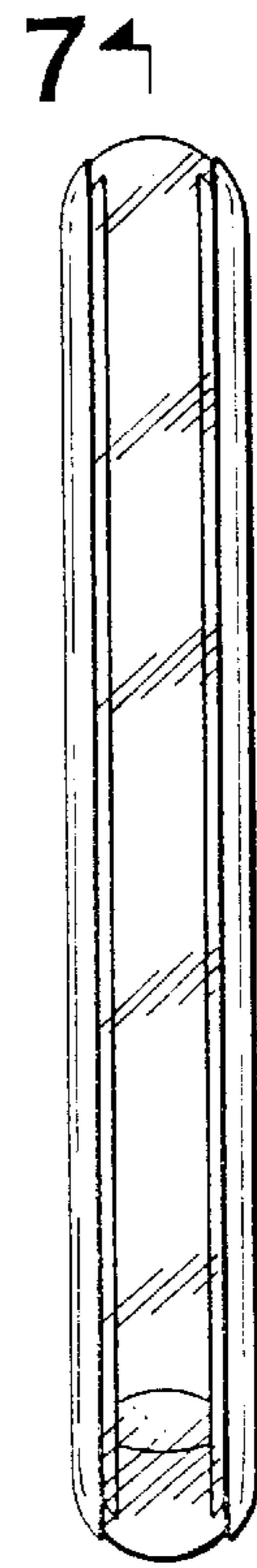


FIG. 4

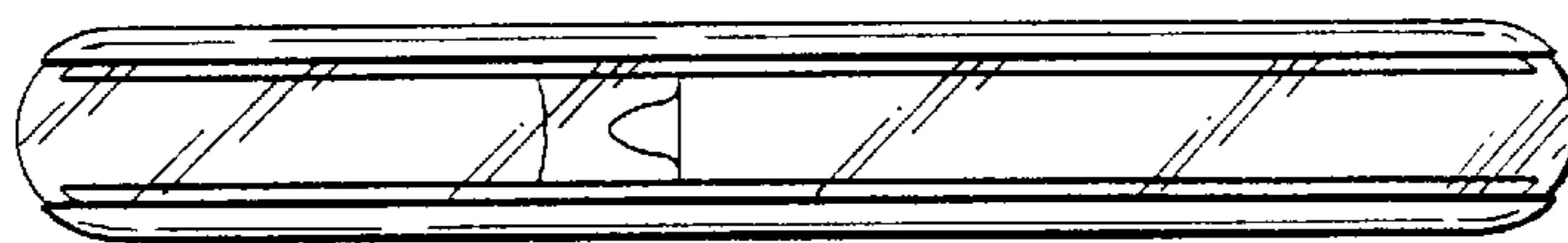


FIG. 2

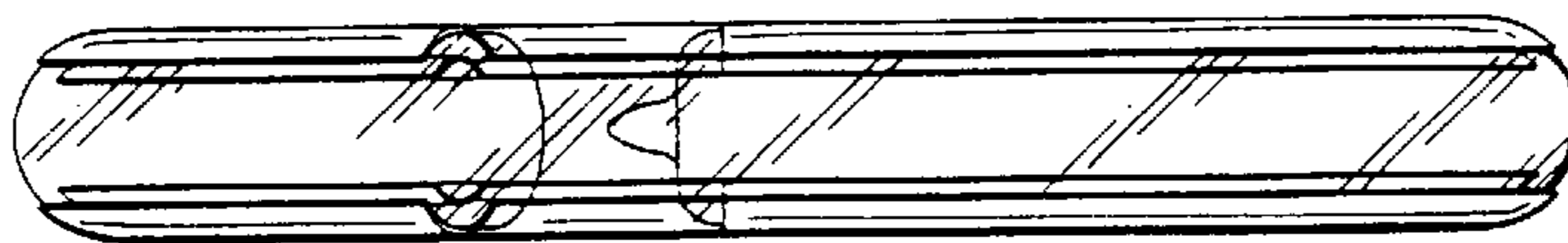


FIG. 3

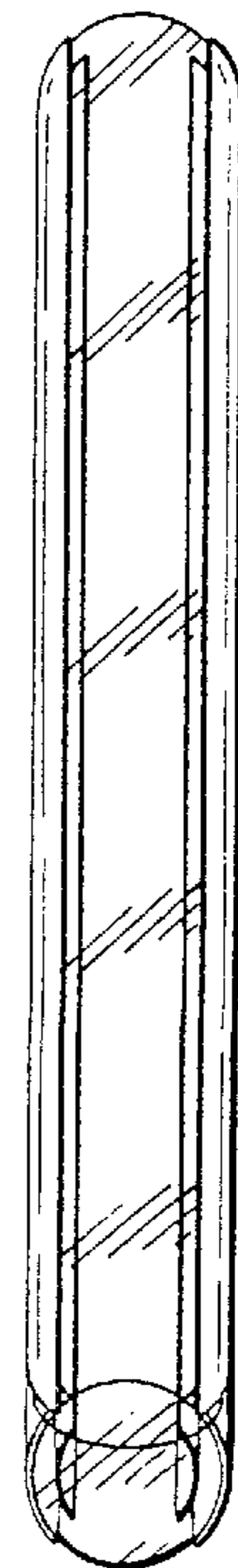


FIG. 5

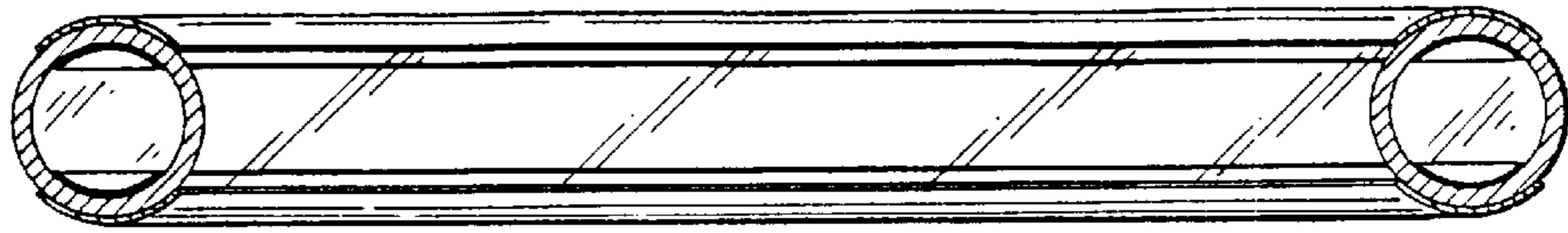


FIG. 6

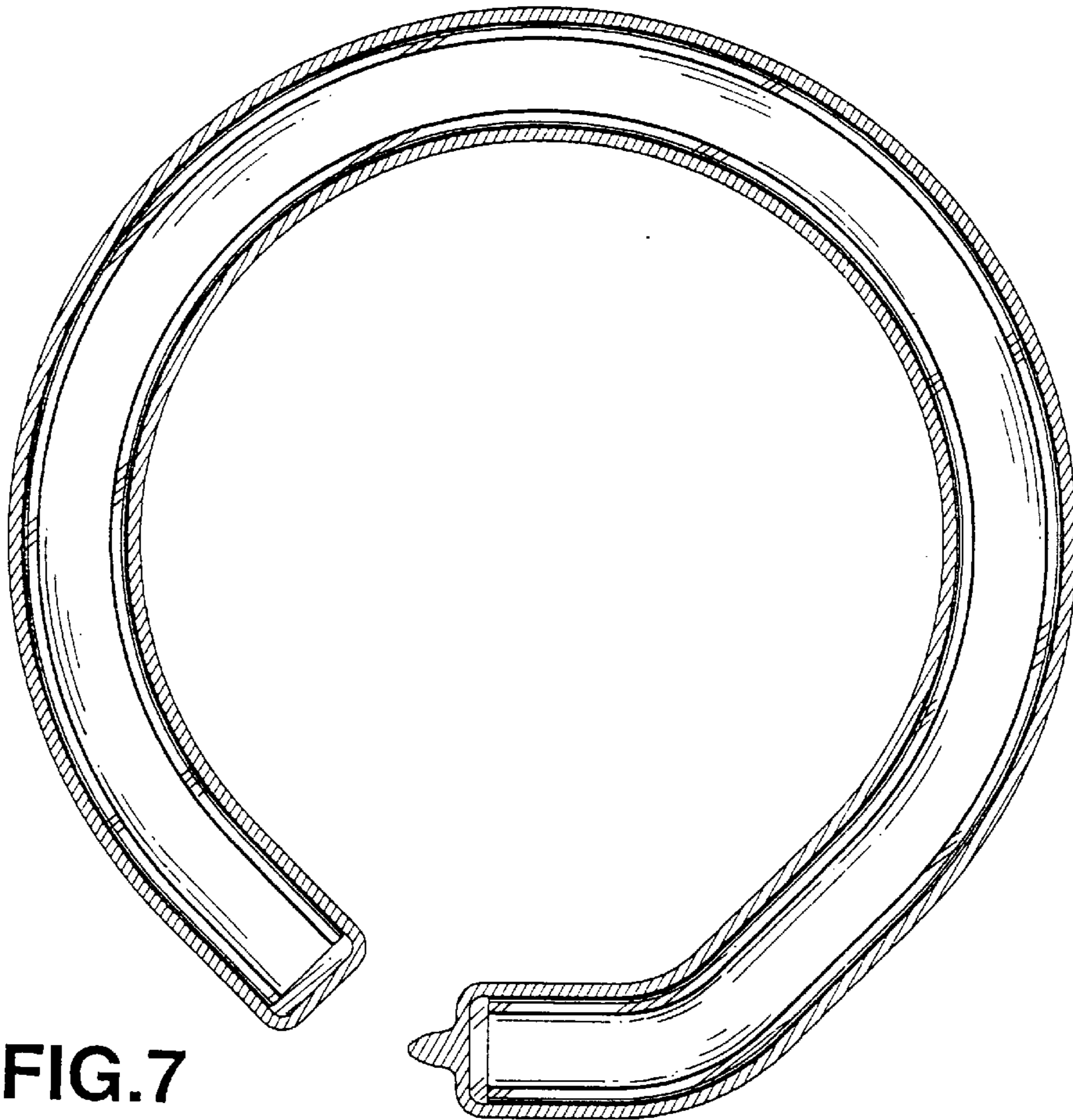


FIG. 7

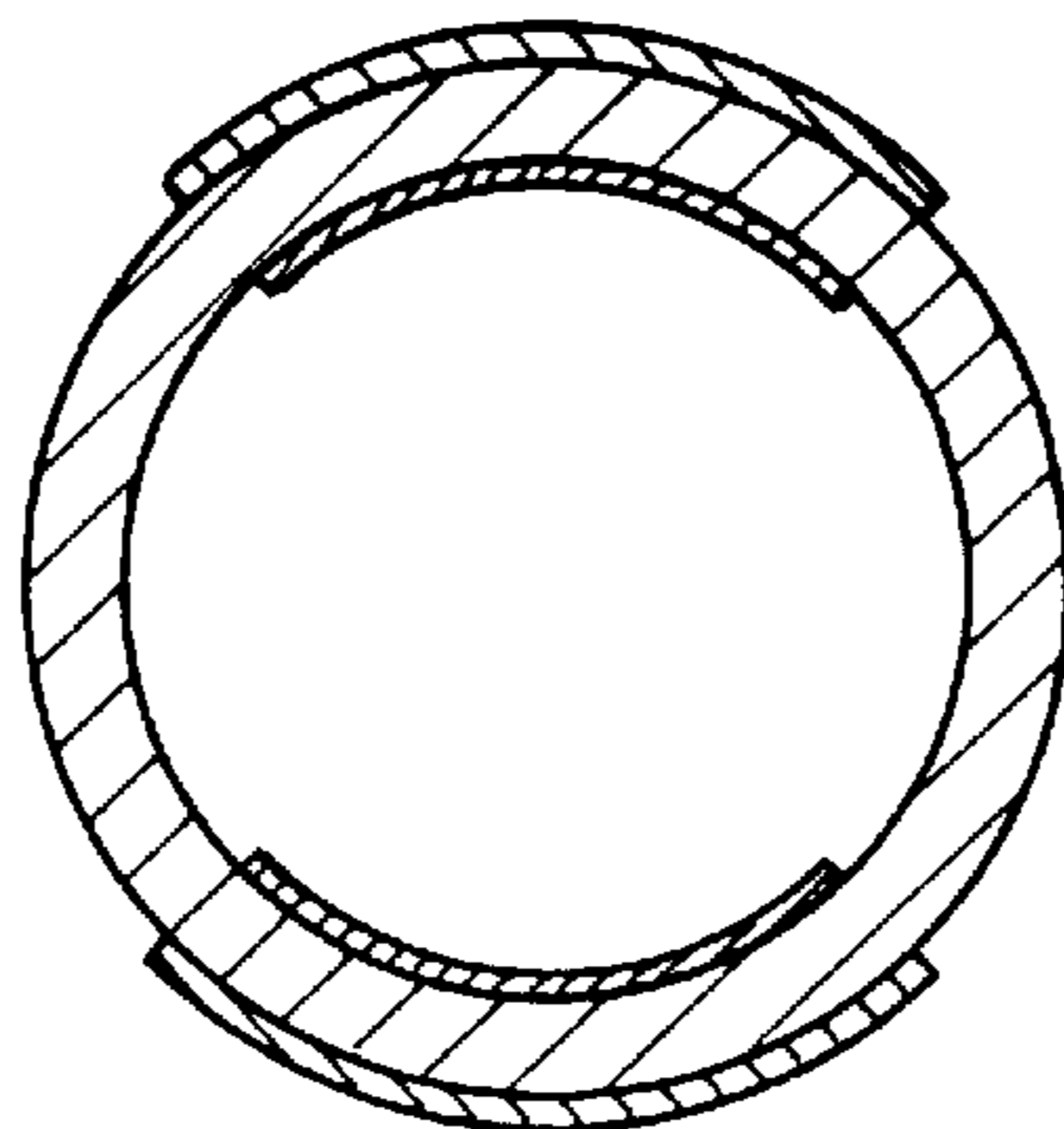


FIG. 8