



US00D414880S

United States Patent [19]
Giese

[11] **Patent Number: Des. 414,880**
[45] **Date of Patent: ** Oct. 5, 1999**

[54] **STRUCTURAL MEMBER**

5,207,255 5/1993 Shannon 160/46
5,259,432 11/1993 Danieli 160/46

[75] Inventor: **Robert D. Giese**, Kenosha, Wis.

[73] Assignee: **White Consolidated Industries, Inc.**,
Cleveland, Ohio

Primary Examiner—Doris Clark
Attorney, Agent, or Firm—Pearne, Gordon, McCoy &
Granger LLP

[**] Term: **14 Years**

[57] **CLAIM**

[21] Appl. No.: **29/092,944**

The ornamental design for a structural member, as shown
and described.

[22] Filed: **Aug. 31, 1998**

DESCRIPTION

[51] **LOC (6) Cl.** **25-01**

[52] **U.S. Cl.** **D25/122**

[58] **Field of Search** D25/119, 121,
D25/122, 124, 125; 160/45-46, 48, 239,
240, 353, 354, 368.1, 369, 371-372, 377,
65, 66

FIG. 1 is a perspective view of a structural member, showing
my new design.

FIG. 2 is a side view thereof it is noted that the opposite side
is identical to the illustrated side.

FIG. 3 is a top view thereof it is noted that the bottom is
identical to the top; and,

FIG. 4 is an end view thereof it is noted that the opposite end
is identical to the illustrated end.

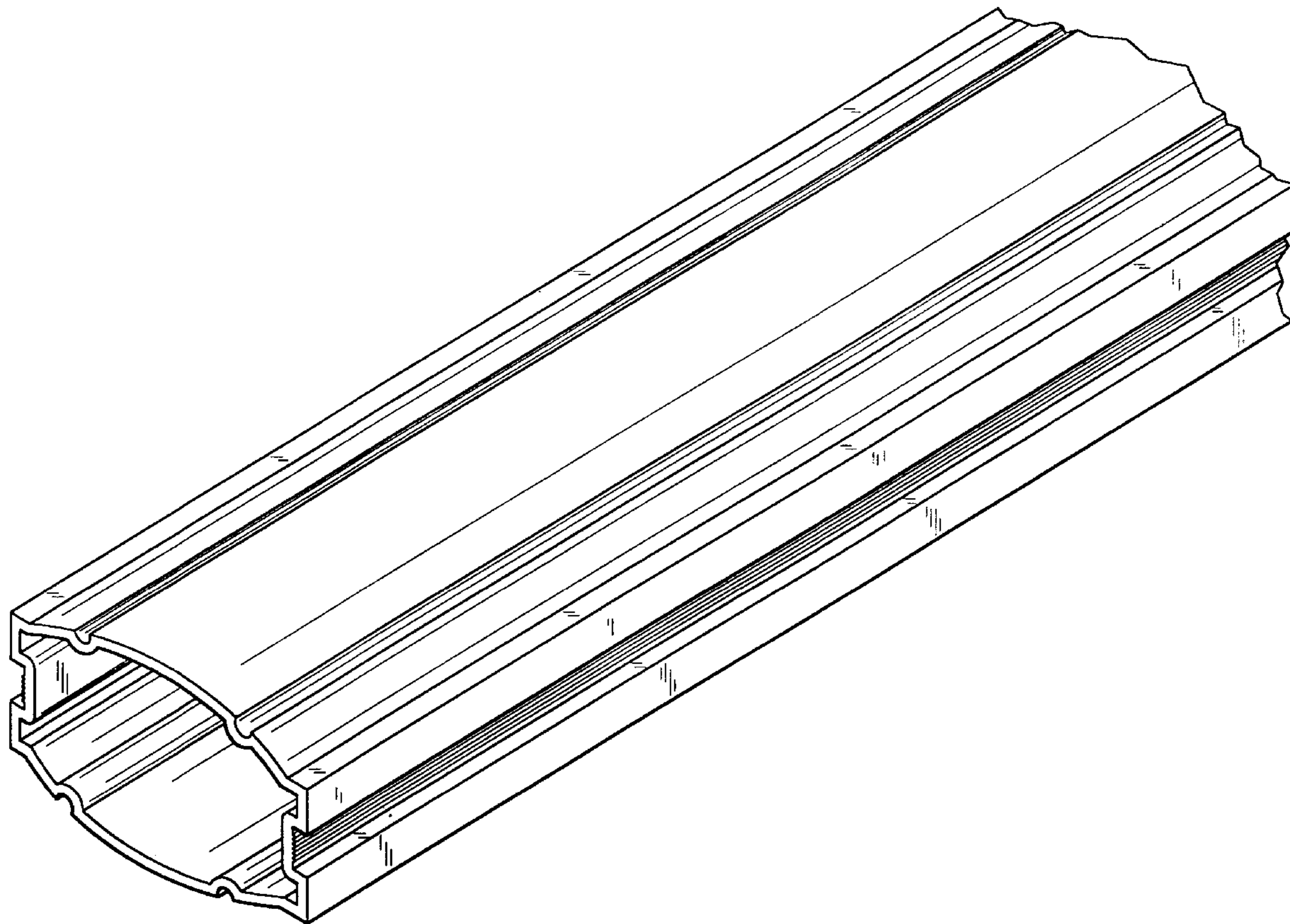
The structural member is broken away to denote indetermi-
nate length.

[56] **References Cited**

U.S. PATENT DOCUMENTS

D. 344,352 2/1994 Stagl D25/122
3,918,510 11/1975 Hayward 160/45
4,640,332 2/1987 Turner 160/46

1 Claim, 2 Drawing Sheets



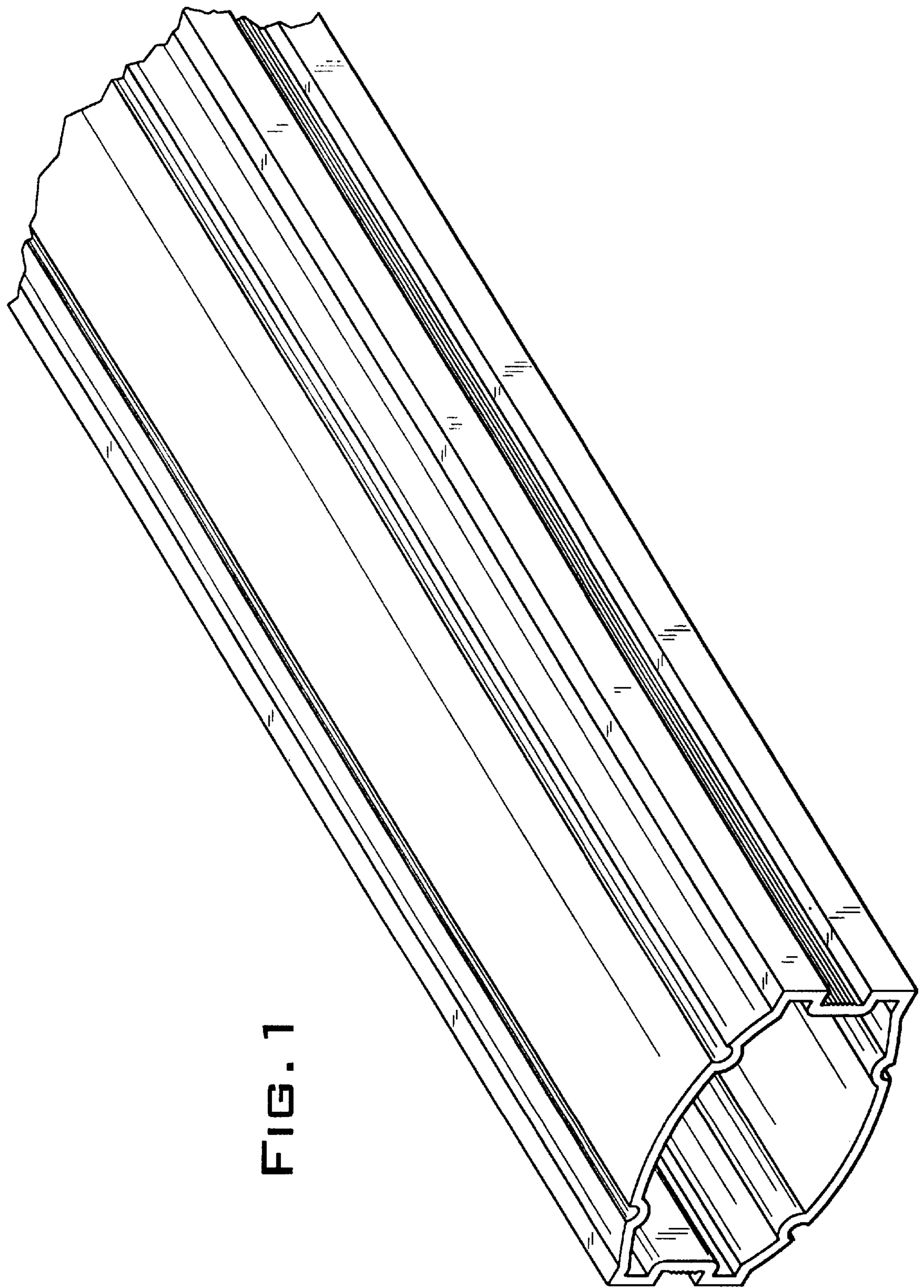


FIG. 1

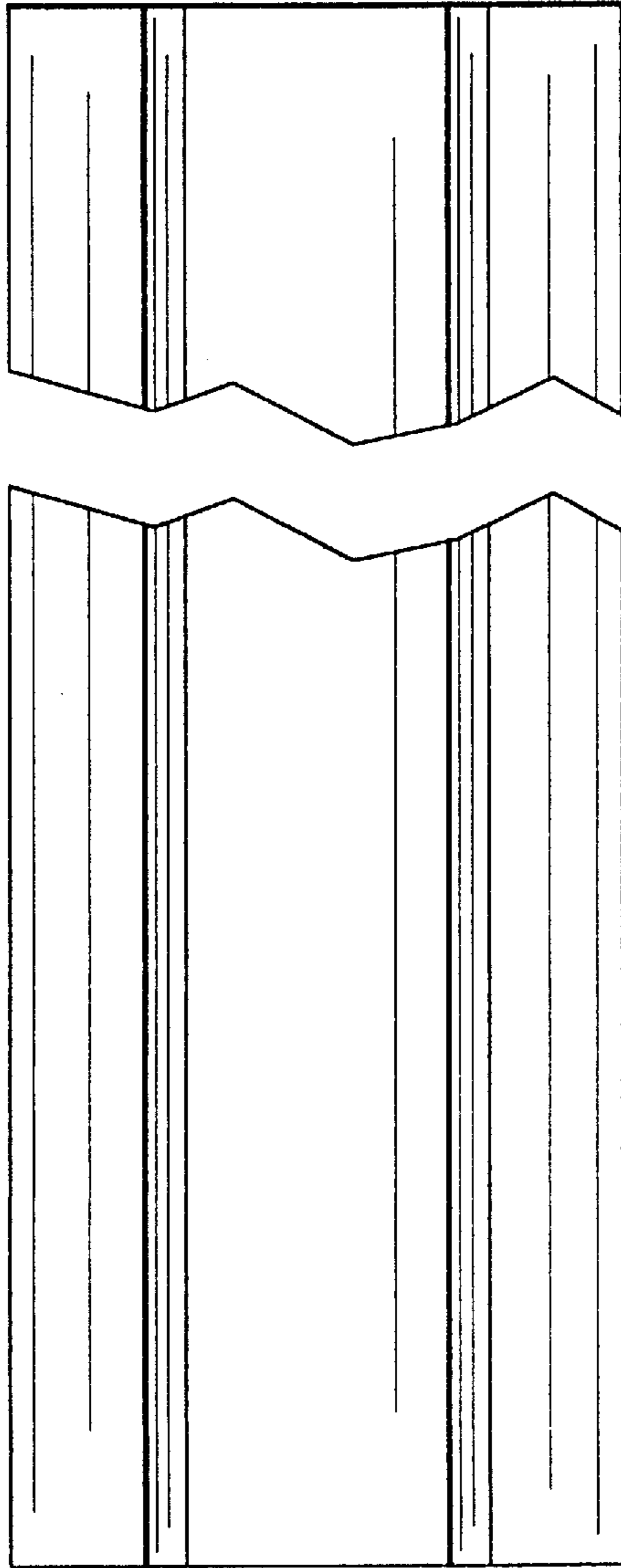


FIG. 3

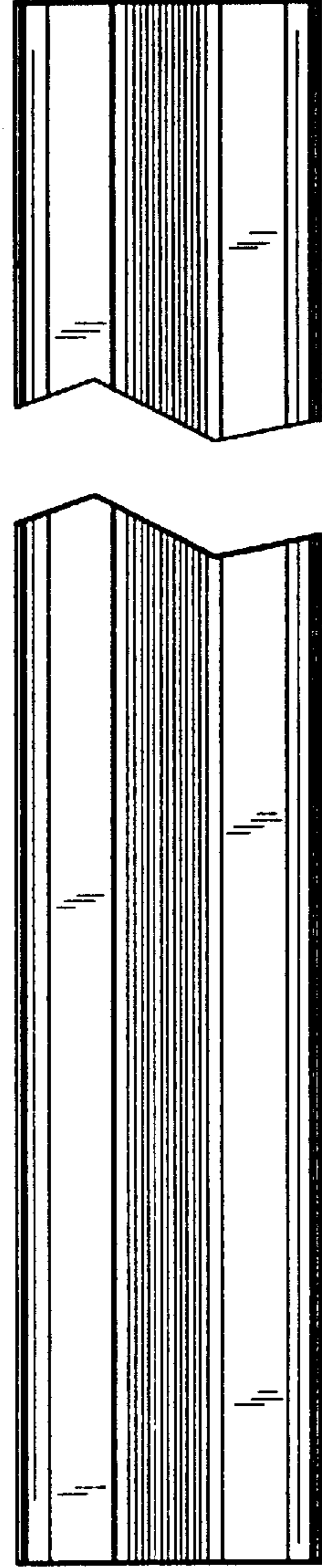


FIG. 2

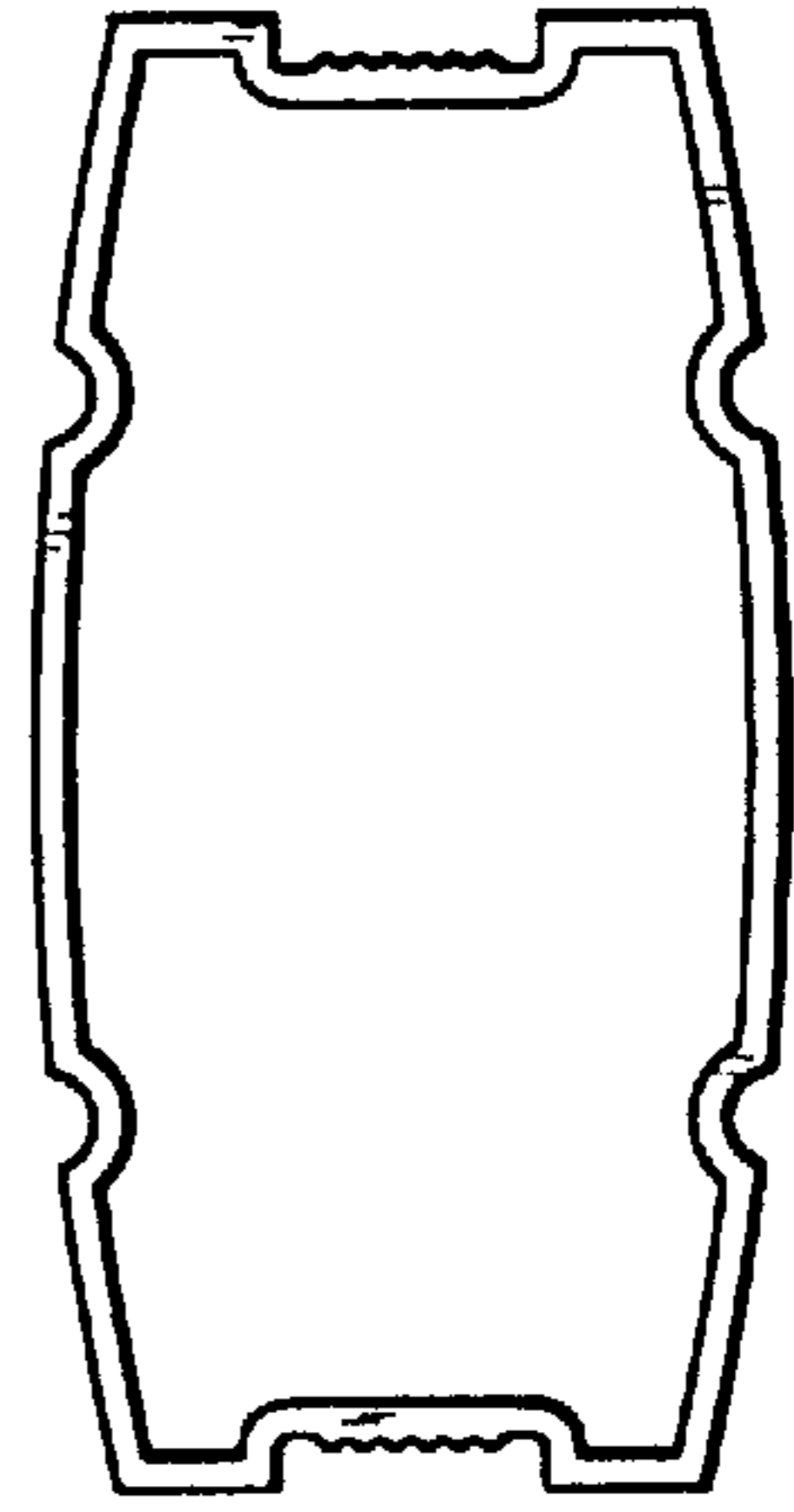


FIG. 4