



US00D414878S

# United States Patent [19] Byrne

[11] Patent Number: Des. 414,878

[45] Date of Patent: \*\* Oct. 5, 1999

[54] SUN AND PRIVACY SCREEN APPARATUS

[76] Inventor: **Barbara Byrne**, 5748 S. Narragansett,  
Chicago, Ill. 60638

[\*\*] Term: **14 Years**

[21] Appl. No.: **29/073,365**

[22] Filed: **Jul. 7, 1997**

[51] LOC (6) Cl. .... **25-02**

[52] U.S. Cl. .... **D25/58; D3/5**

[58] Field of Search ..... 135/902, 87; D25/58;  
D3/5

4,745,960	5/1988	Karp .	
4,858,669	8/1989	Vinson .	
4,966,181	10/1990	Liberman et al. ....	135/87
5,139,070	8/1992	Kidd .	
5,379,786	1/1995	Lynam .....	135/87

### FOREIGN PATENT DOCUMENTS

565330	3/1958	Belgium .	
1256866	2/1961	France .....	160/134
600852	6/1978	Switzerland .....	160/134
627698	8/1949	United Kingdom .....	135/20.1
815405	2/1958	United Kingdom .	

*Primary Examiner*—Doris Clark  
*Attorney, Agent, or Firm*—Barlow, Josephs & Holmes

### [56] References Cited

#### U.S. PATENT DOCUMENTS

D. 93,183	8/1934	Roth .....	D3/5
D. 308,355	6/1990	Spoto .....	D12/191
D. 344,593	2/1994	Monfils .....	D25/58
D. 359,161	6/1995	Byrne .....	D3/5
D. 363,597	10/1995	Byrne .....	D3/5
451,068	4/1891	Park .	
873,580	12/1907	McElroy .	
1,057,310	3/1913	White .	
1,221,595	4/1917	Riggs .	
1,609,877	12/1926	Kendall .	
2,897,002	7/1959	Yovich .....	296/95
3,298,422	1/1967	Ruiz .....	160/77
3,386,106	6/1968	Clemens .....	4/154

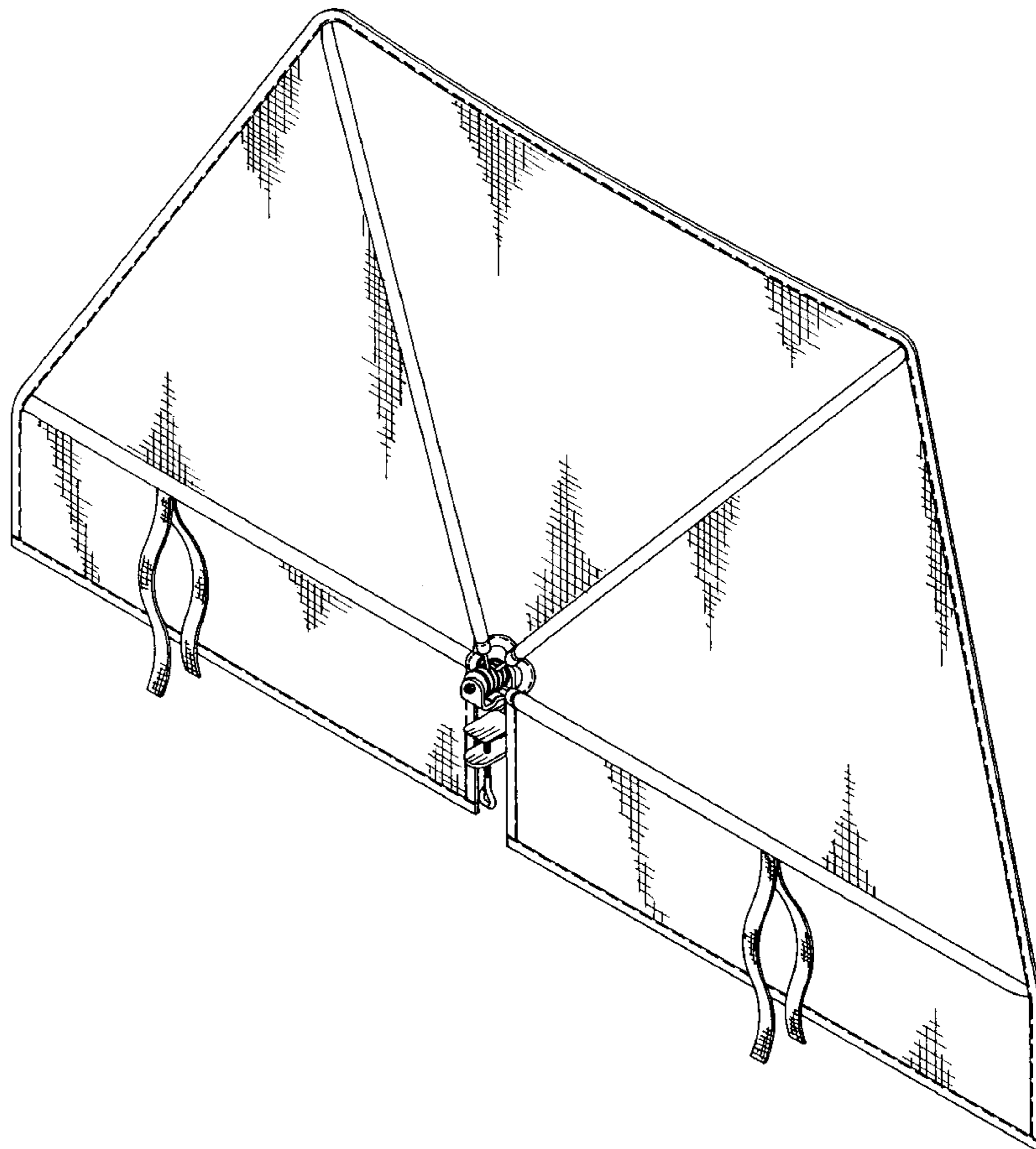
### [57] CLAIM

The ornamental design for a sun and privacy screen apparatus, as shown.

### DESCRIPTION

FIG. 1 is a perspective view of a sun and privacy screen apparatus showing my new design; FIG. 2 is a front elevational view thereof; FIG. 3 is a rear elevational view thereof; FIG. 4 is a right side elevational view thereof; FIG. 5 is a left side elevational view thereof; FIG. 6 is a top view thereof; and, FIG. 7 is a bottom view thereof.

**1 Claim, 5 Drawing Sheets**



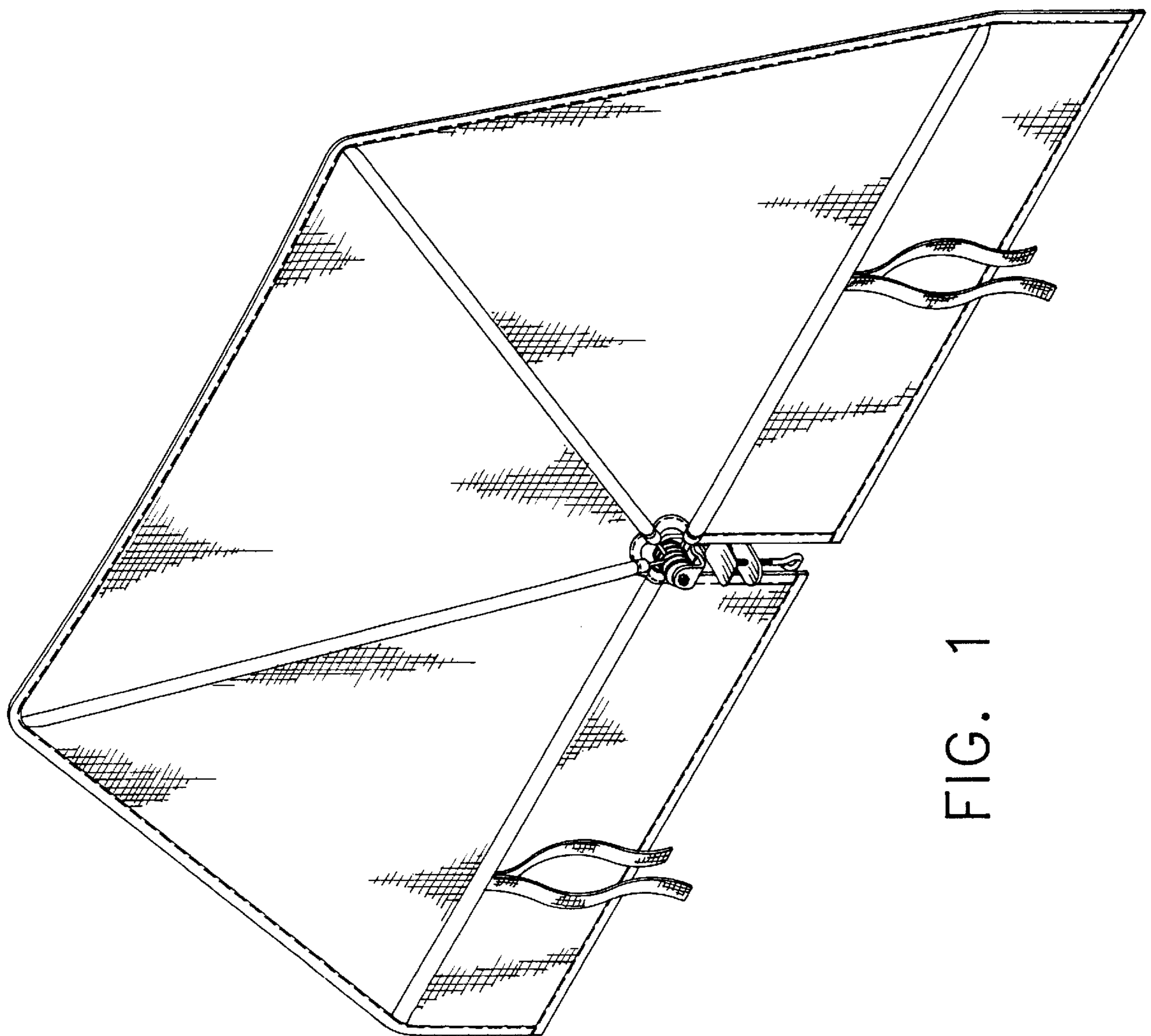


FIG. 1

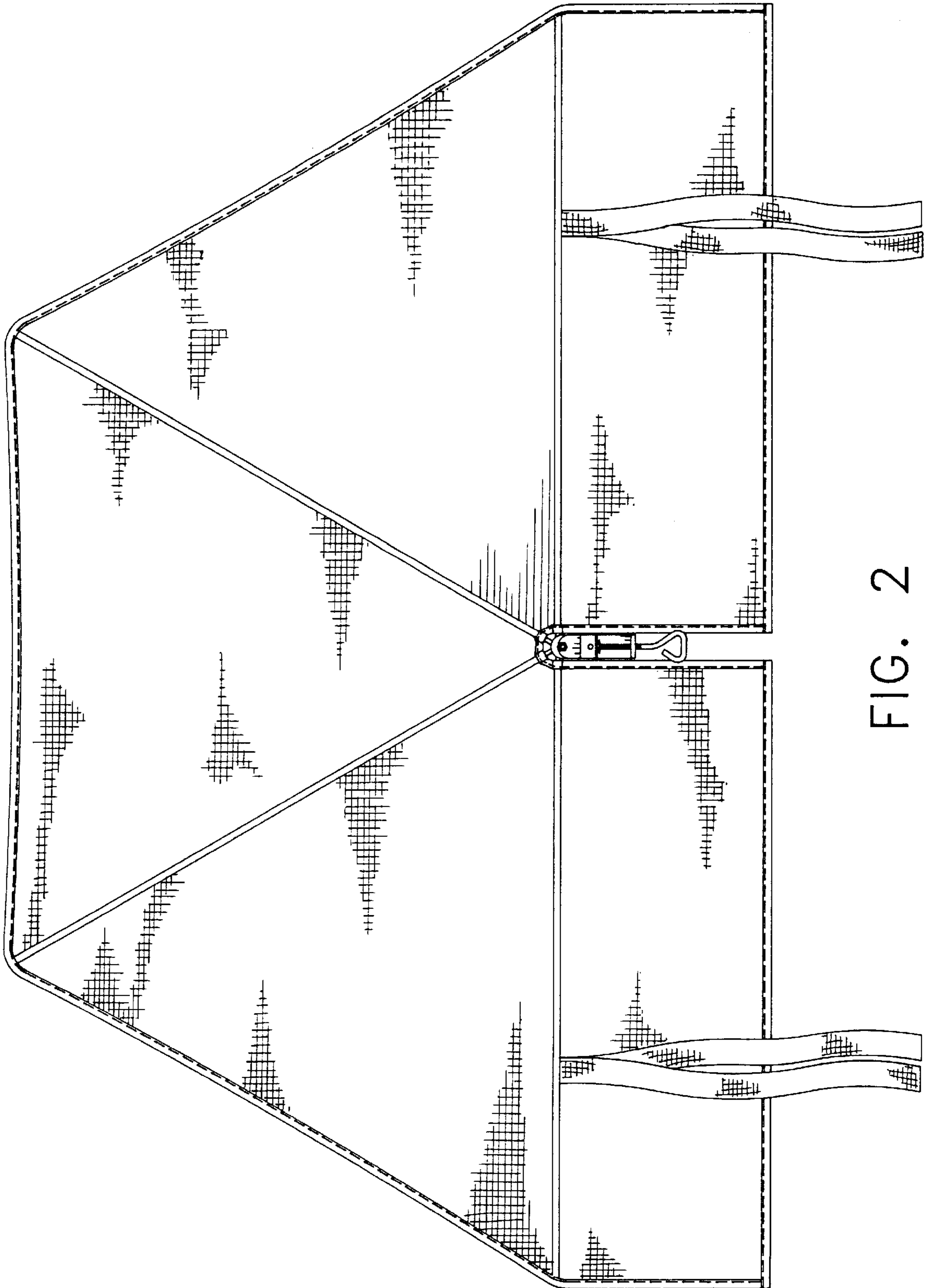


FIG. 2

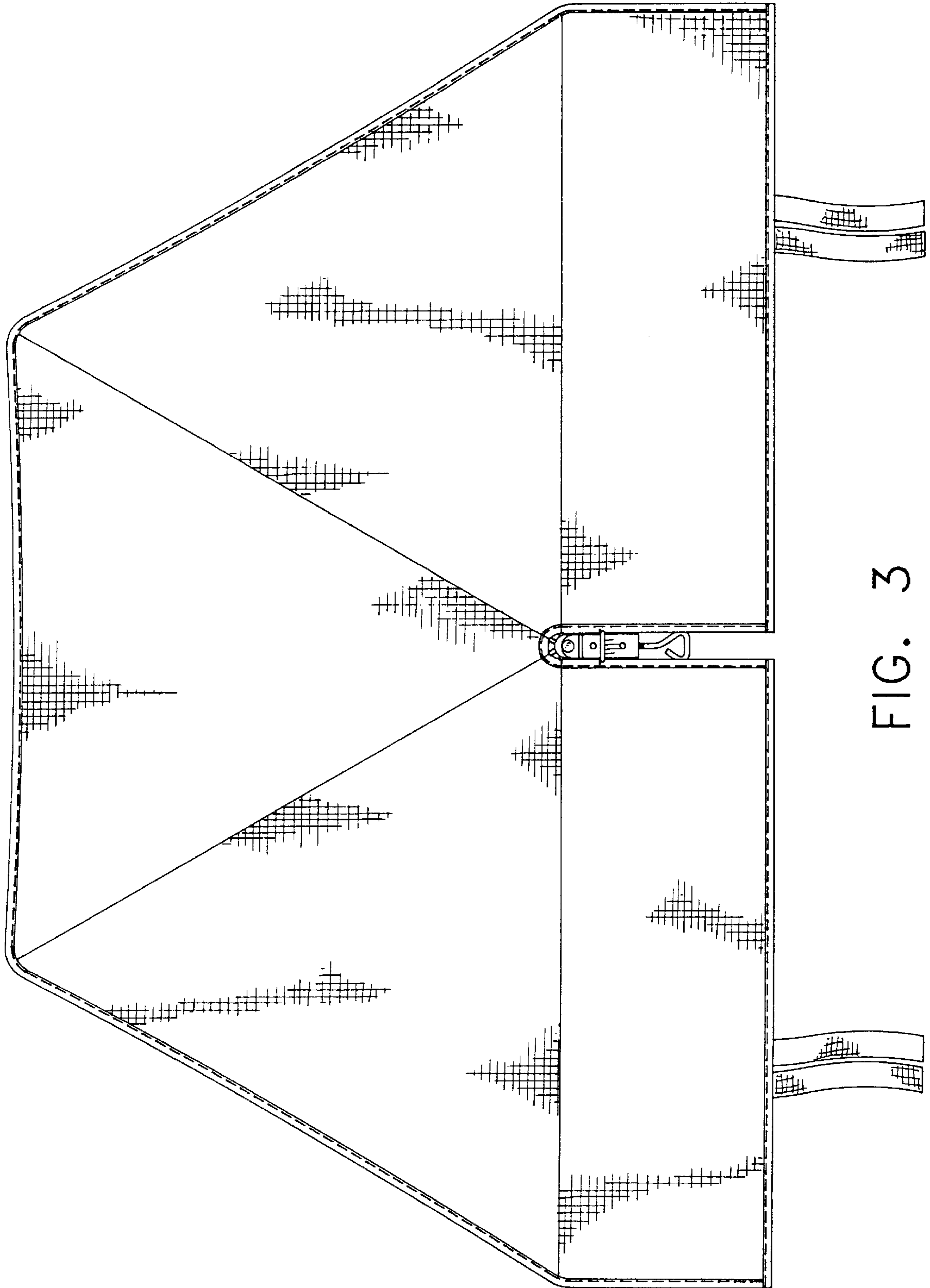


FIG. 3

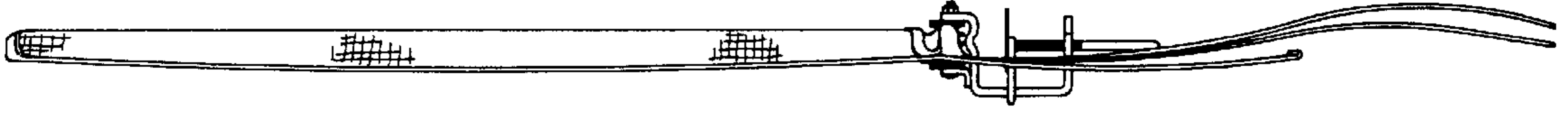
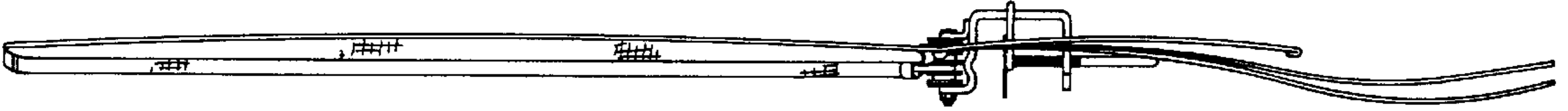


FIG. 5

FIG. 4



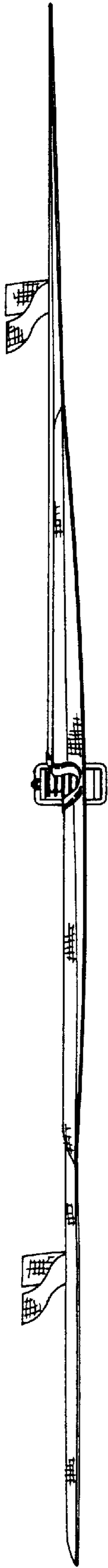


FIG. 6

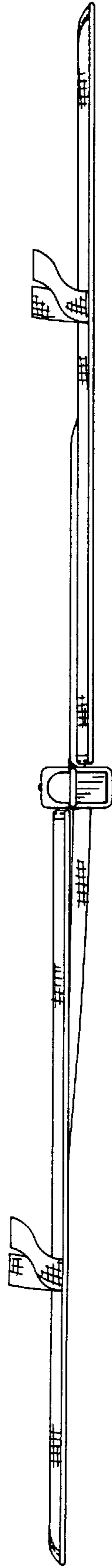


FIG. 7