



US00D414877S

United States Patent [19]
Meshulam

[11] **Patent Number: Des. 414,877**
[45] **Date of Patent: ** Oct. 5, 1999**

[54] **ROLLING SHUTTER ELEMENT**

D. 384,421 9/1997 DiGiorgio D25/49

[75] Inventor: **Maurice Meshulam**, Kiriath-Haym,
Israel

Primary Examiner—Doris Clark
Attorney, Agent, or Firm—Dennison, Meserole, Scheiner &
Schultz

[73] Assignee: **KLIL Industries Ltd.**, Kiriath Motzkin,
Israel

[**] Term: **14 Years**

[57] **CLAIM**

The ornamental design for a rolling shutter element, as shown and described.

[21] Appl. No.: **29/091,139**

[22] Filed: **Jul. 23, 1998**

DESCRIPTION

[30] **Foreign Application Priority Data**

Apr. 5, 1998 [IL] Israel 29638

FIG. 1 is a perspective view of a rolling shutter element showing my new design;

[51] **LOC (6) Cl.** **25-02**

FIG. 2 is a top plan view thereof;

[52] **U.S. Cl.** **D25/49**

FIG. 3 is a bottom plan view thereof;

[58] **Field of Search** D25/49; 160/218,
160/238, 236; 52/473; 49/74.1, 92.1

FIG. 4 is a front view thereof;

FIG. 5 is a back view thereof;

FIG. 6 is a left side view thereof; and,

FIG. 7 is a right side view thereof.

[56] **References Cited**

U.S. PATENT DOCUMENTS

D. 288,131 2/1987 Magro D25/49

1 Claim, 3 Drawing Sheets

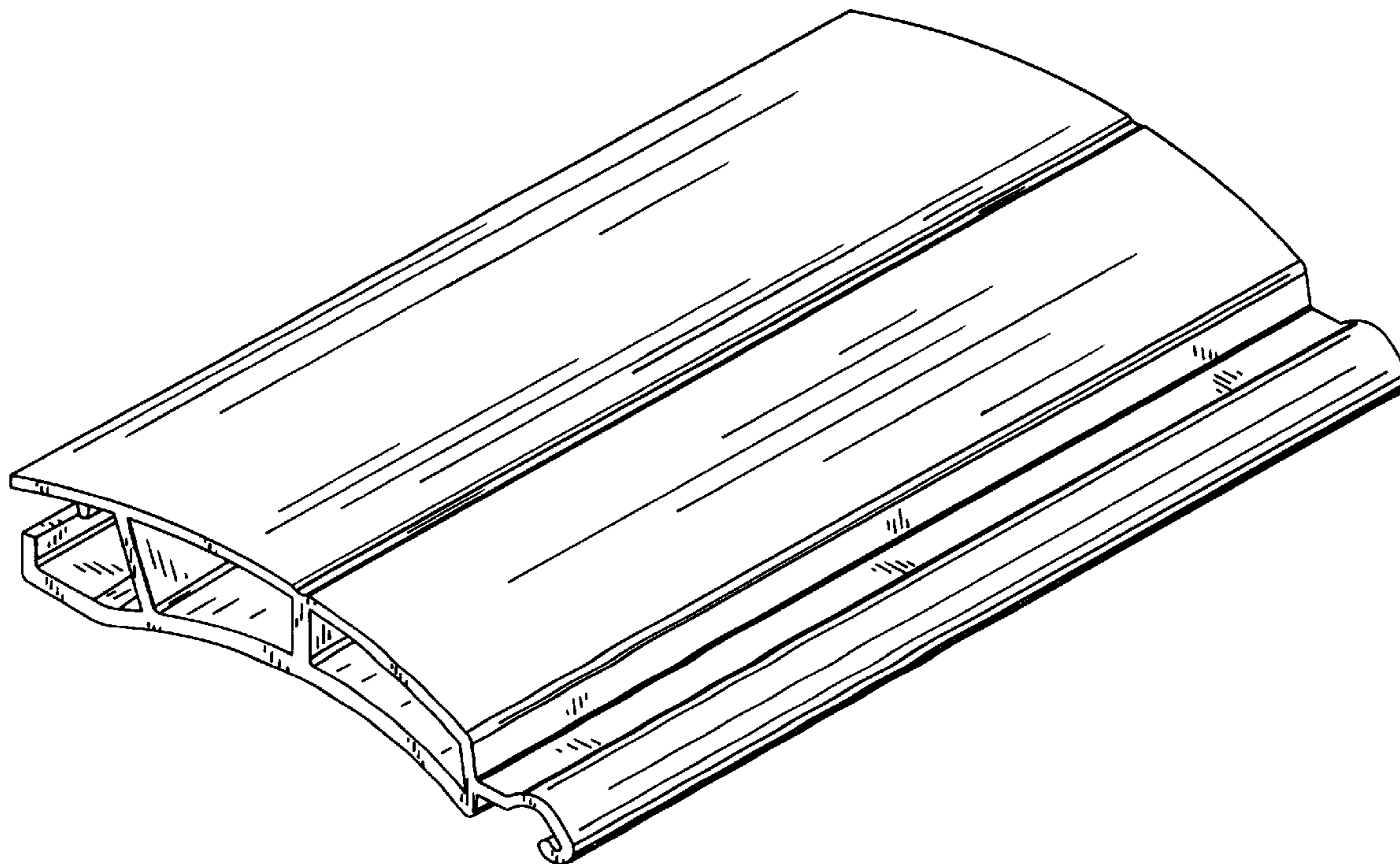


FIG. 1

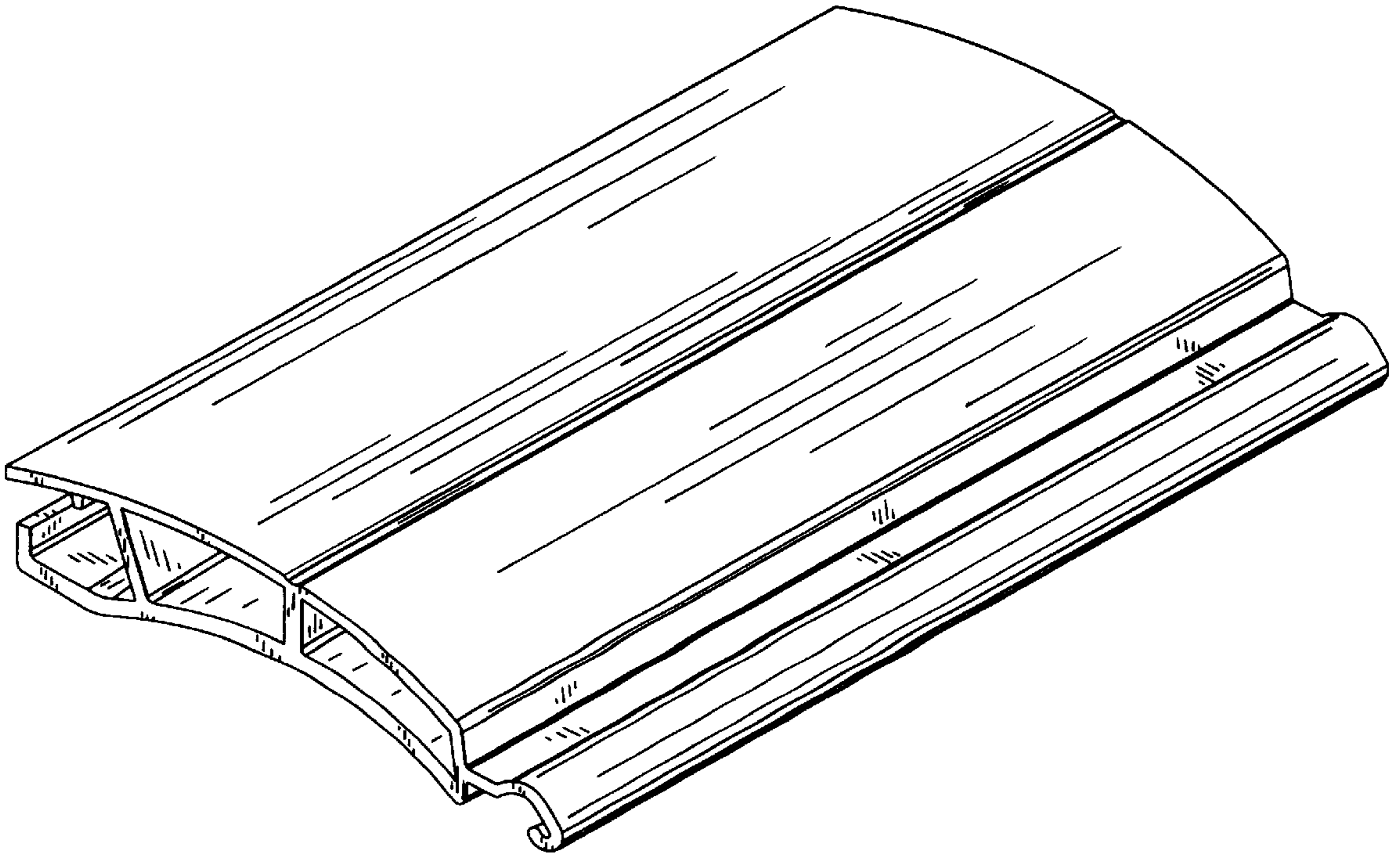


FIG. 2

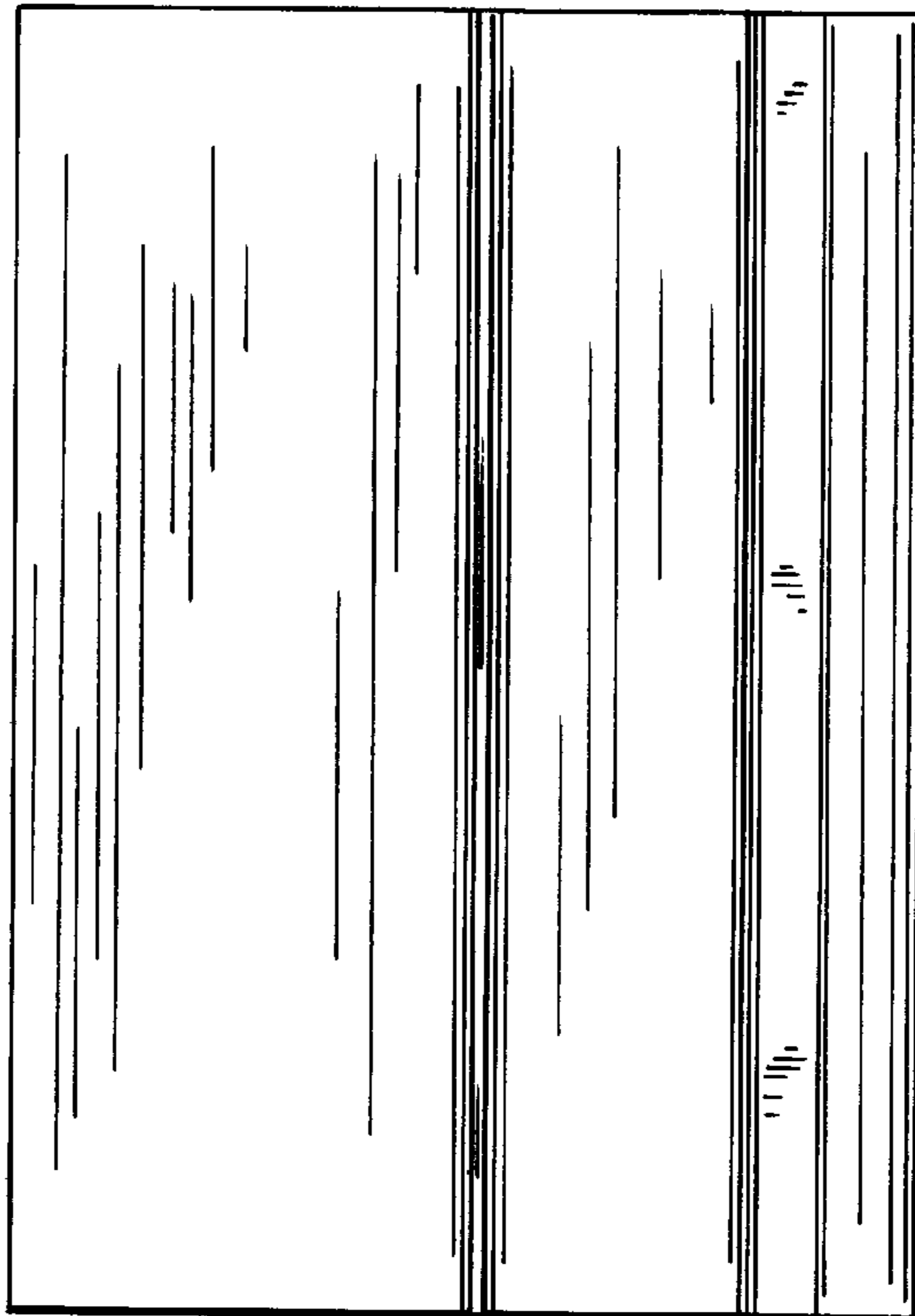


FIG. 3

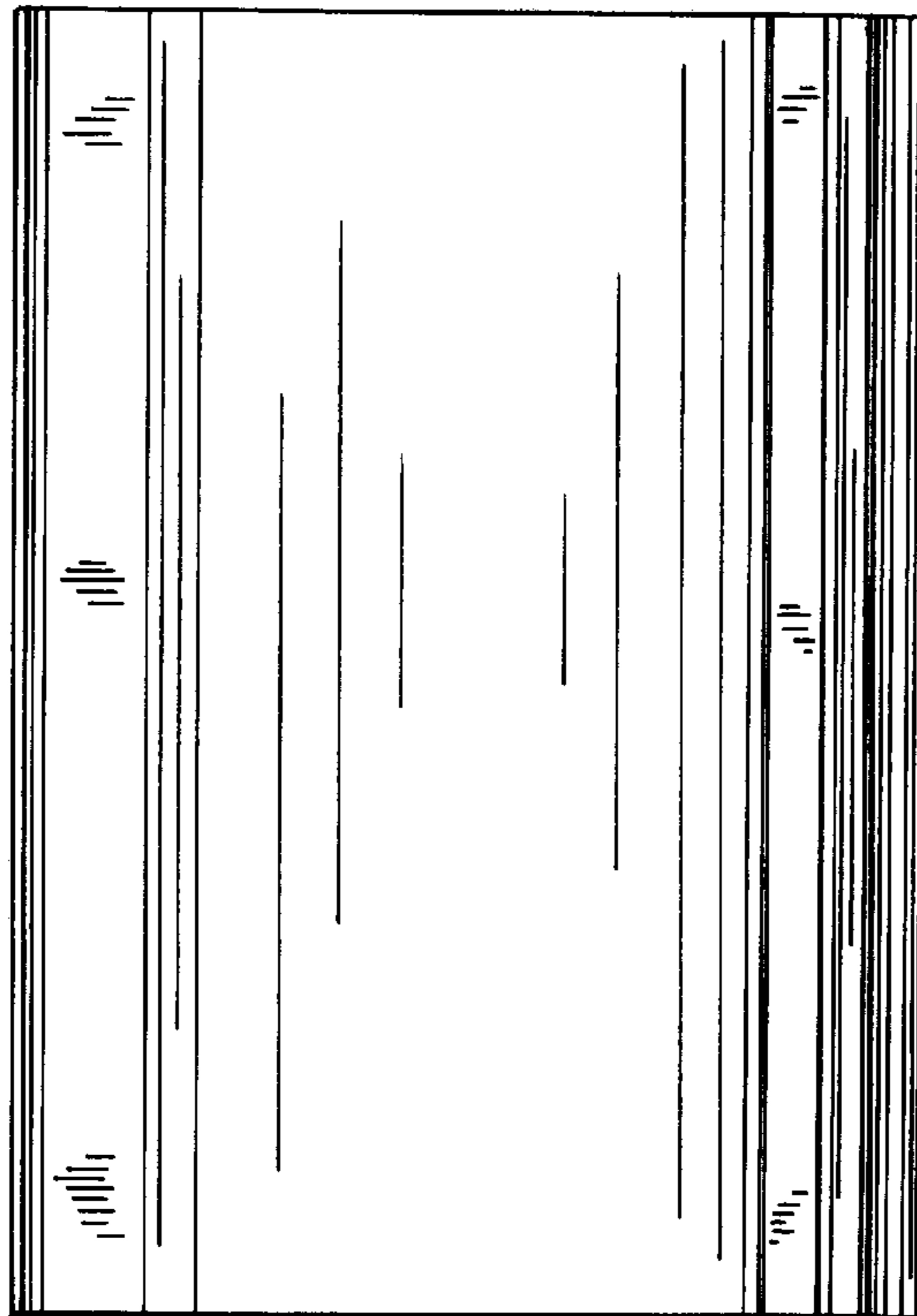


FIG. 4

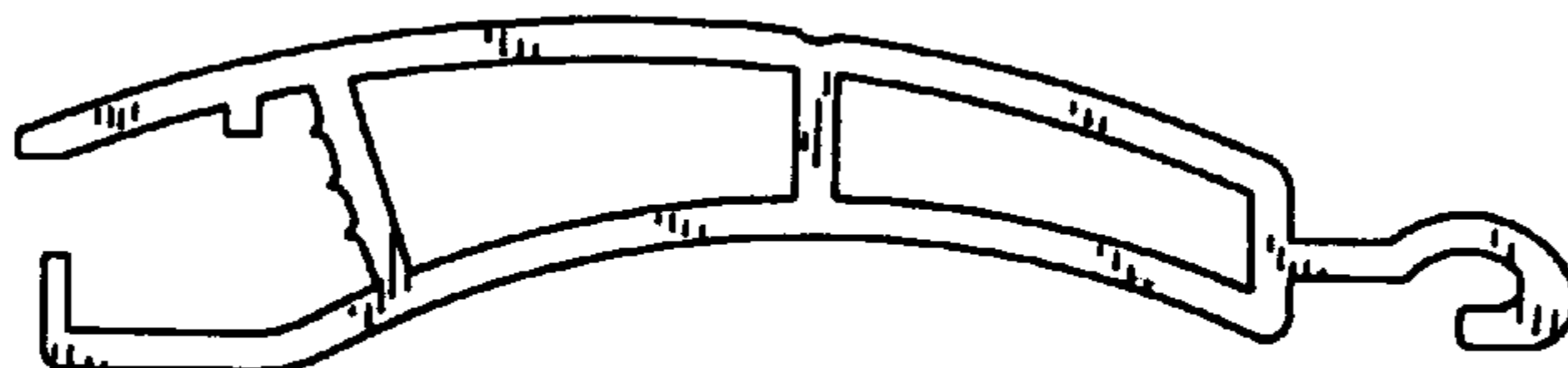


FIG. 5

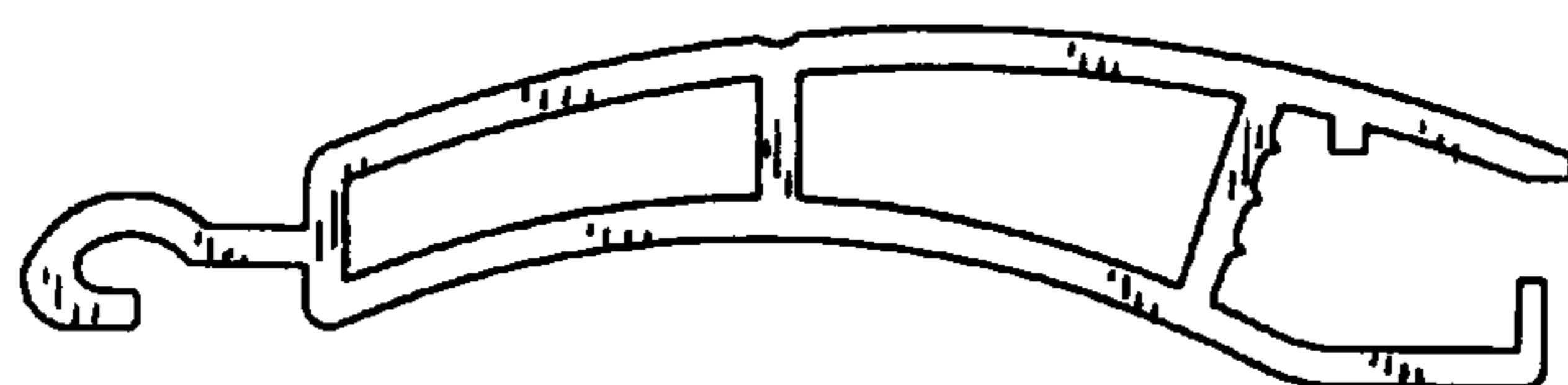


FIG. 6

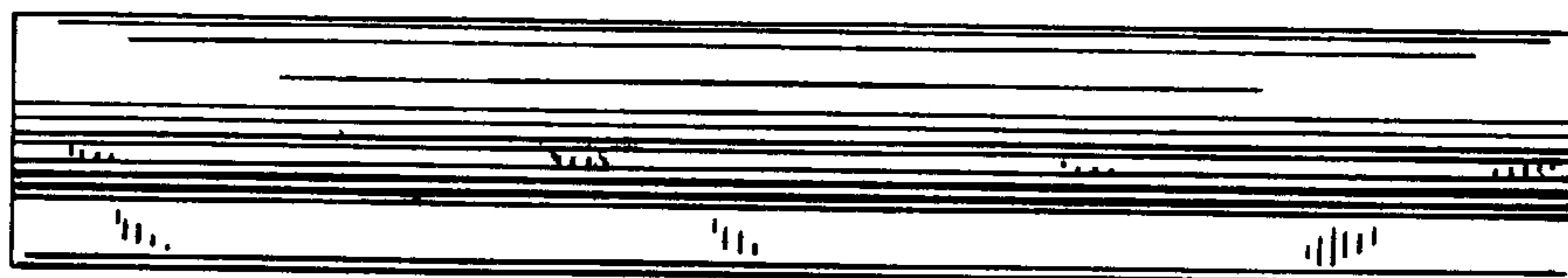


FIG. 7

