



US00D414873S

United States Patent [19]
Kwiecinski

[11] **Patent Number: Des. 414,873**
[45] **Date of Patent: ** Oct. 5, 1999**

[54] **INFANT NIPPLE ADAPTER SYSTEM**

5,607,073 3/1997 Forrer 215/11.4
5,758,787 6/1998 Shen 215/11.1

[76] Inventor: **David B. Kwiecinski**, 1538 Beaver,
Dearborn, Mich. 48128

Primary Examiner—Stella Reid
Attorney, Agent, or Firm—Goldstein & Canino

[**] Term: **14 Years**

[57] **CLAIM**

[21] Appl. No.: **29/088,862**

The ornamental design for an infant nipple adapter system,
as shown and described.

[22] Filed: **Jun. 2, 1998**

DESCRIPTION

[51] **LOC (6) Cl.** **07-01**

[52] **U.S. Cl.** **D24/197; D24/196**

[58] **Field of Search** D24/196, 197,
D24/194, 193; 215/11.1, 11.2, 11.3, 11.4,
11.5, 11.6; 606/234, 235, 236

FIG. 1 is a perspective view of an infant nipple adapter system, showing my new design is assembled condition;
FIG. 2 is a perspective view thereof, in disassembled condition;

[56] **References Cited**

FIG. 3 is a front elevational view thereof, in assembled condition;

U.S. PATENT DOCUMENTS

FIG. 4 is a rear elevational view thereof;

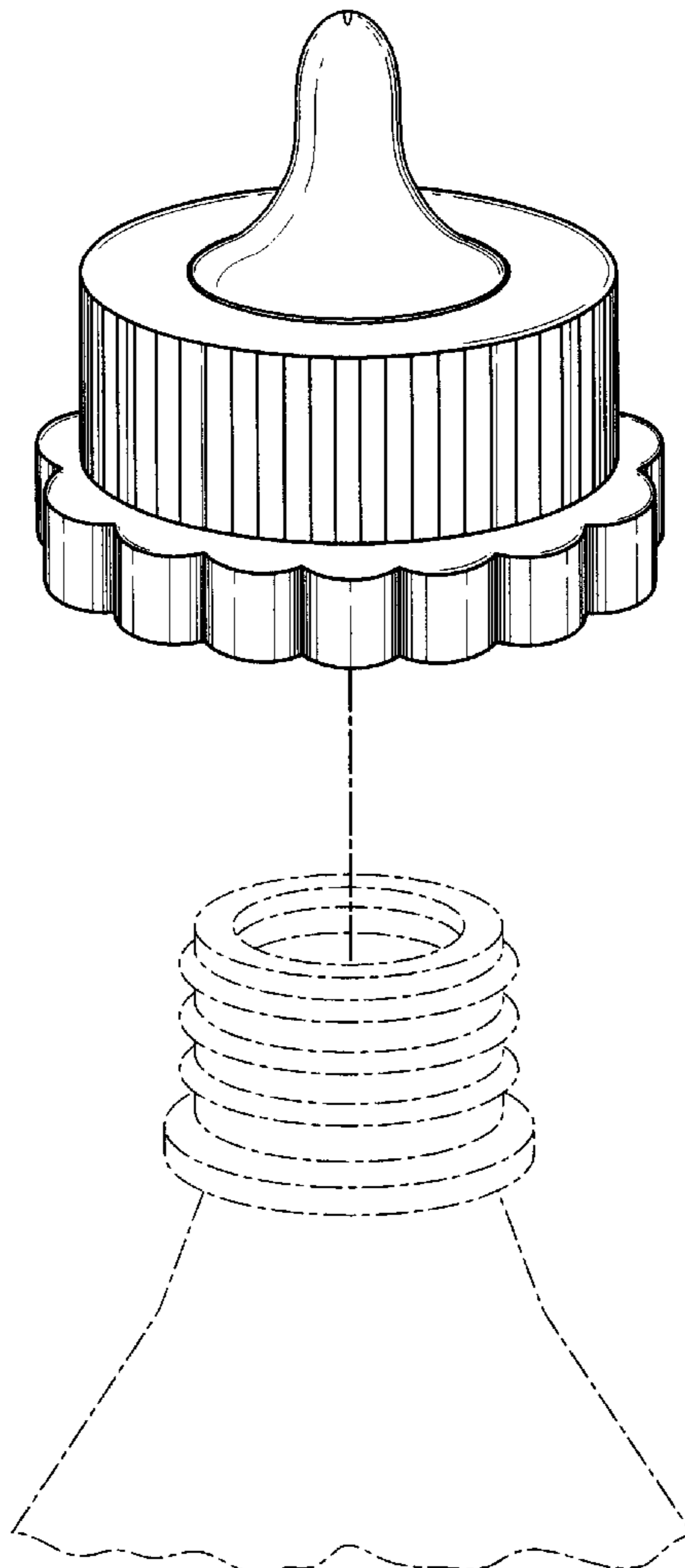
- 2,525,745 10/1950 Wycoff .
- 2,959,314 11/1960 Sanchez .
- 3,746,198 7/1973 Howland .
- 4,548,157 10/1985 Hevoyam .
- 5,024,341 6/1991 Dekerle 215/11.1
- 5,429,254 7/1995 Christine 215/11.1

FIG. 5 is a top plan view thereof; and,

FIG. 6 is a bottom plan view thereof.

The broken line showing in FIGS. 1 and 2 is for illustrative purposes only and forms no part of the claimed design.

1 Claim, 2 Drawing Sheets



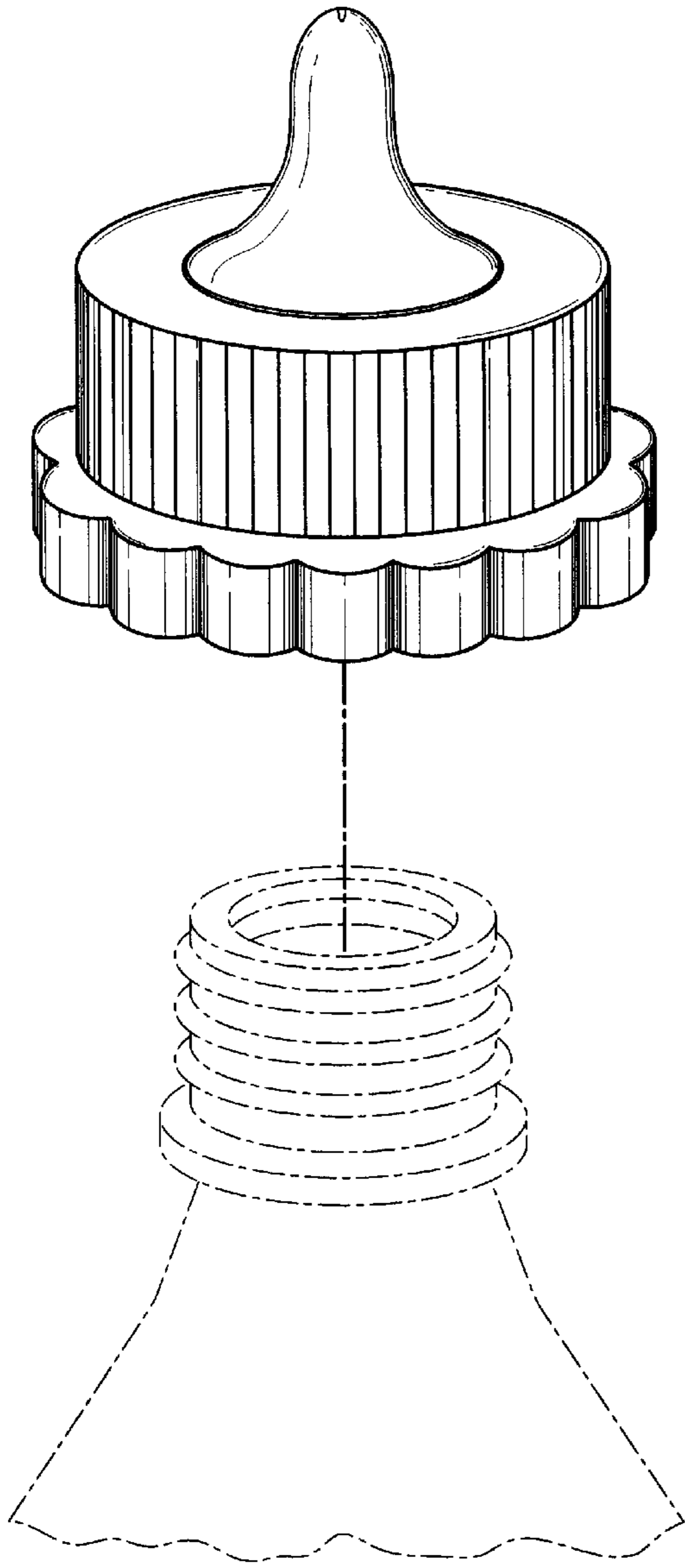


FIG. 1

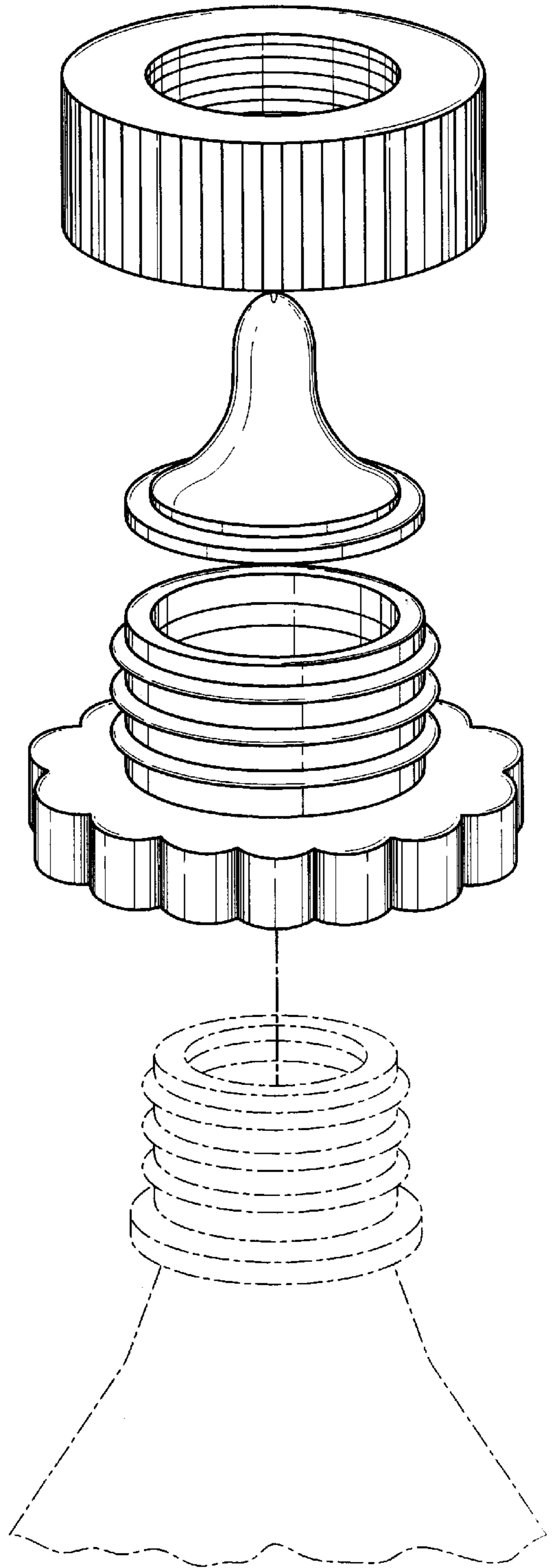


FIG. 2

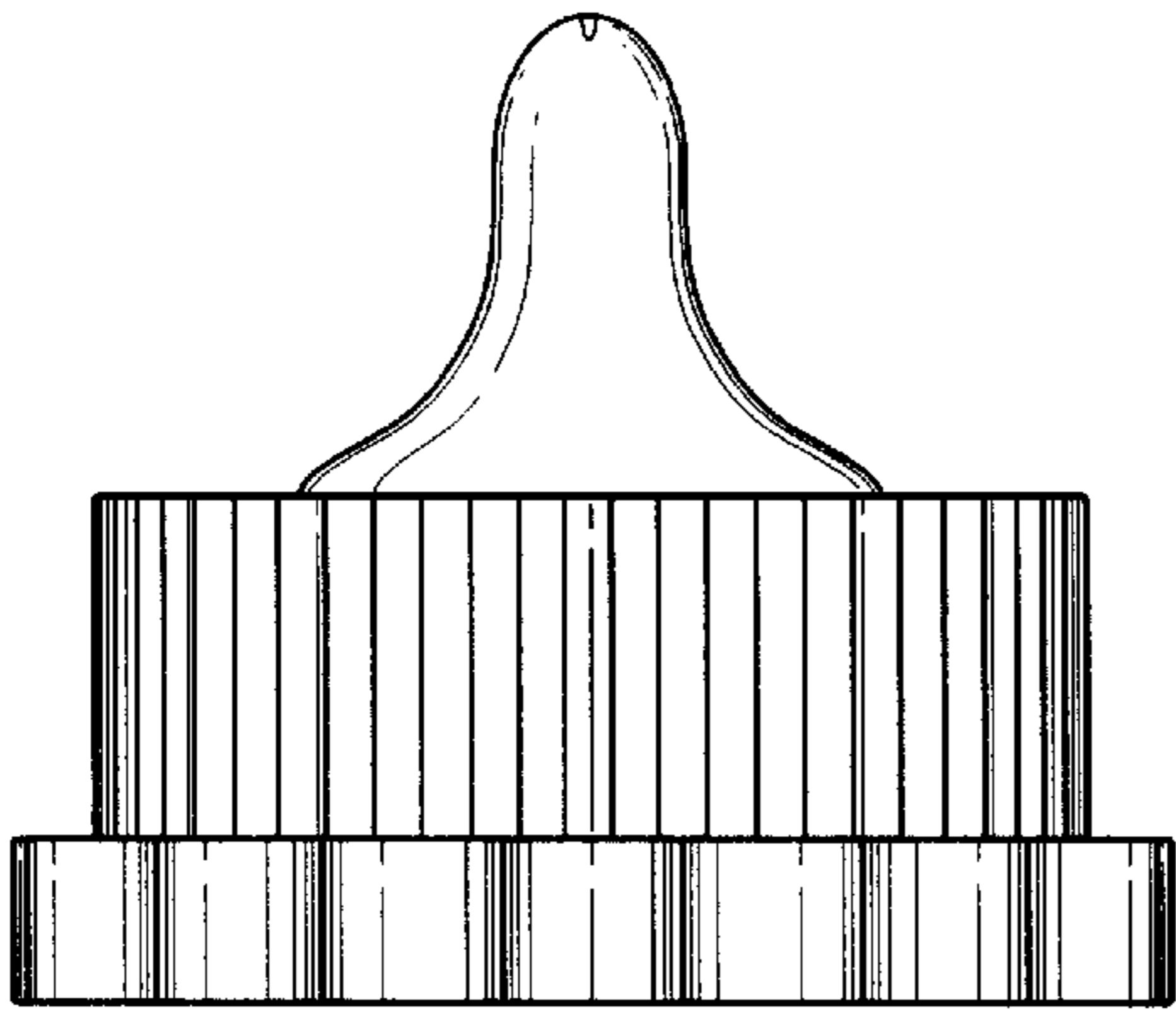


FIG. 3

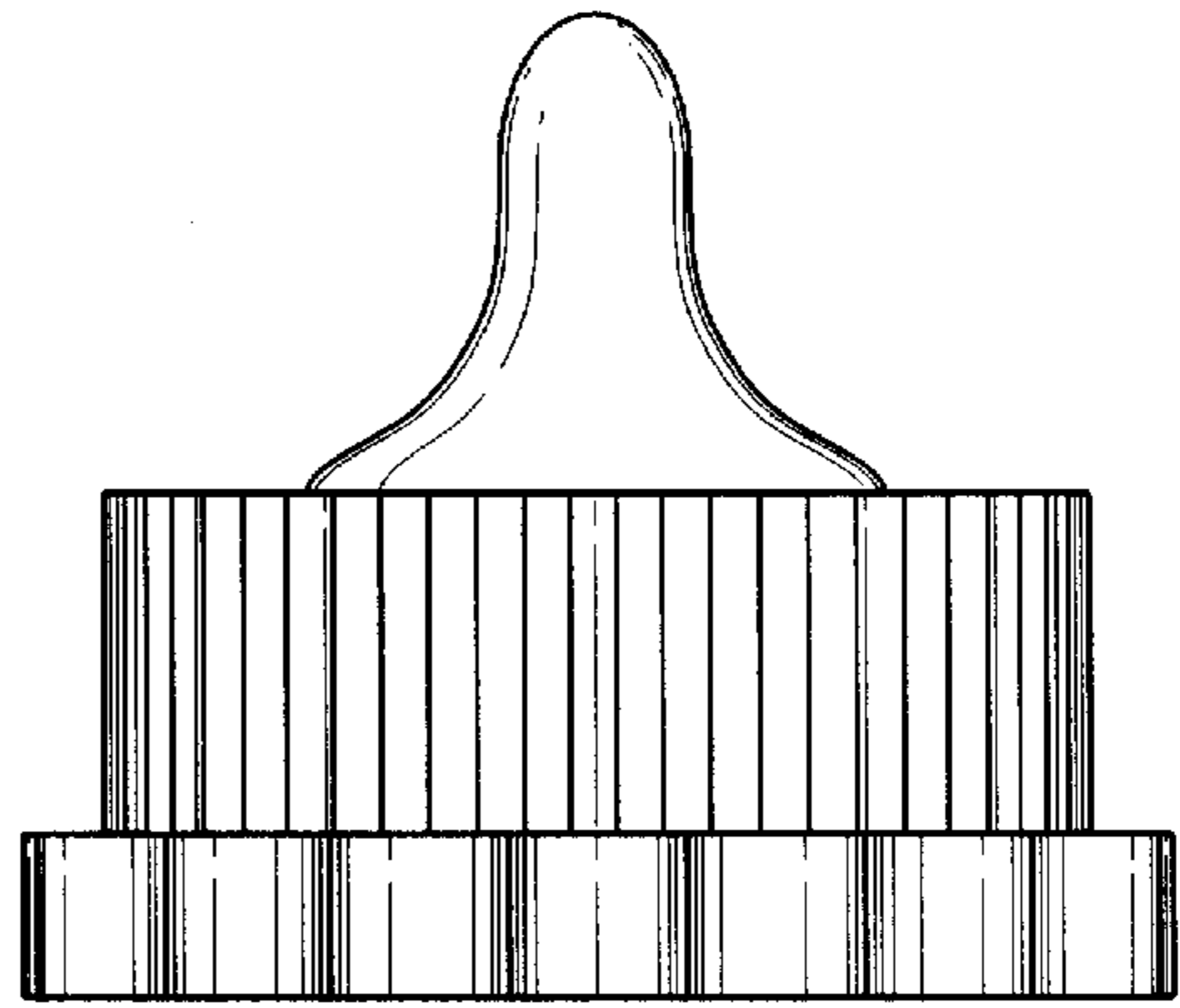


FIG. 4

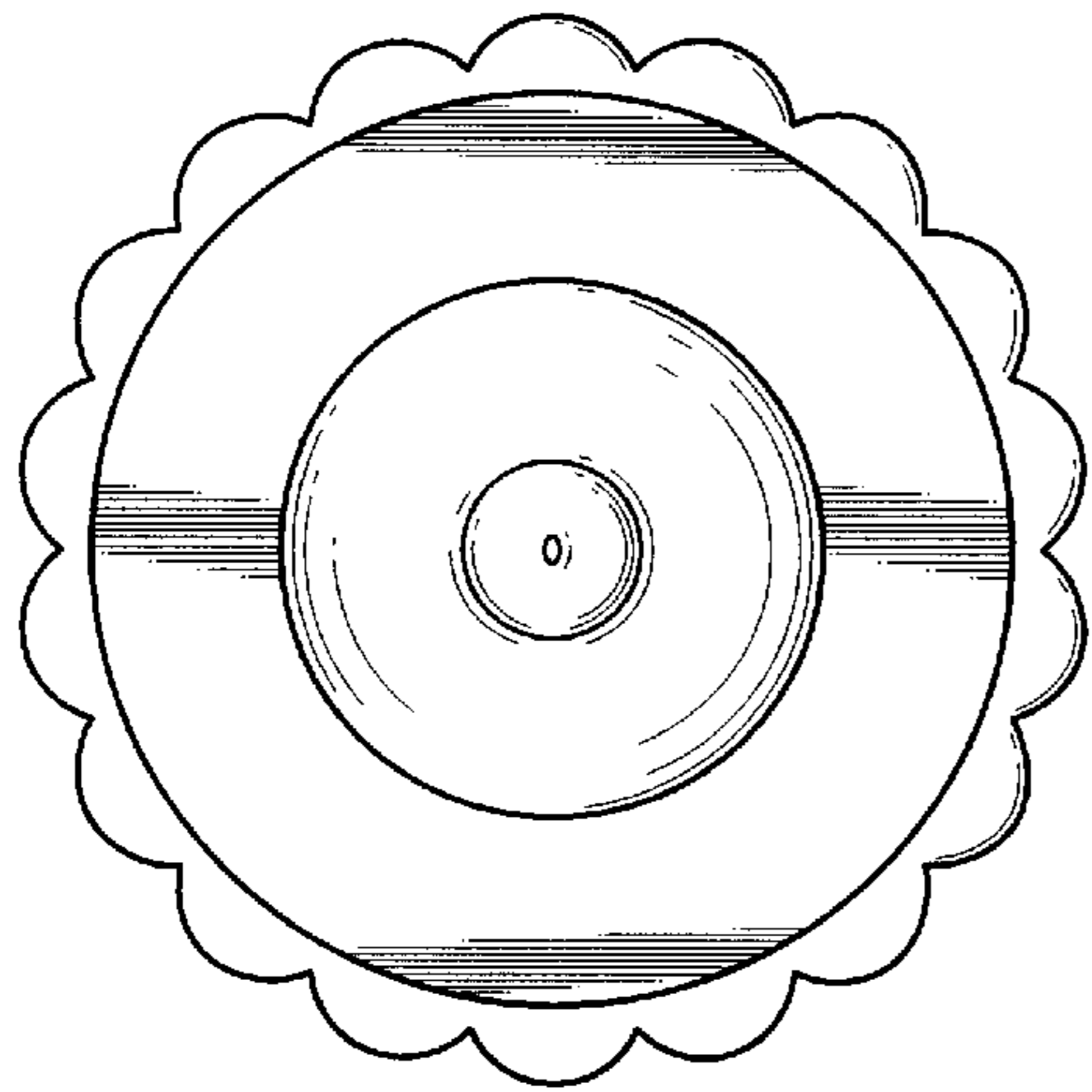


FIG. 5

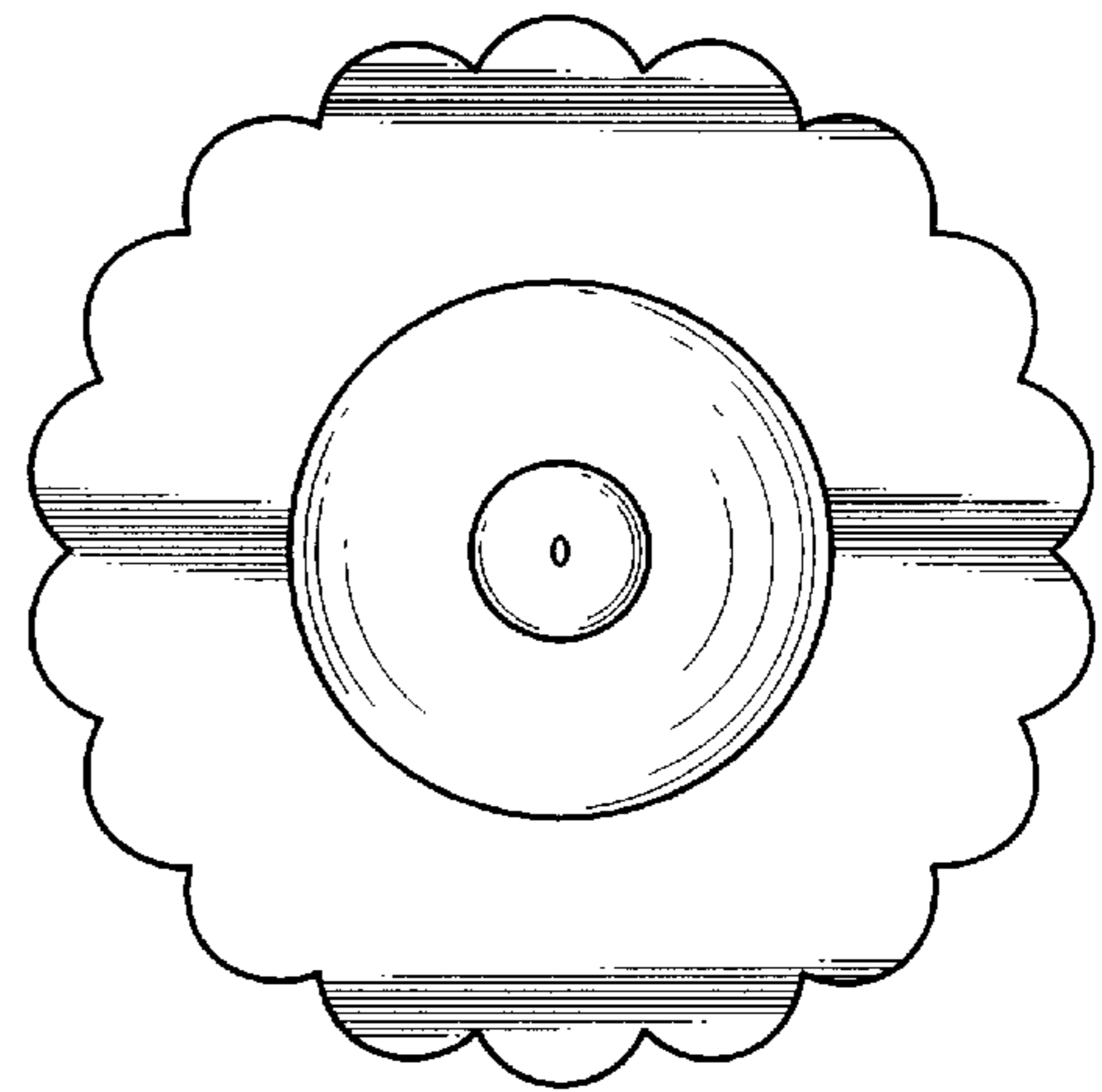


FIG. 6