



US00D414872S

United States Patent [19]
Doyle

[11] **Patent Number: Des. 414,872**

[45] **Date of Patent: ** Oct. 5, 1999**

[54] **FLAT BASE AIRWAY SEPTAL SPLINT**

[76] Inventor: **Donald E. Doyle**, 4105 Hospital Rd.,
Suite 102-A, Pascagoula, Miss. 39581

[**] Term: **14 Years**

[21] Appl. No.: **29/086,182**

[22] Filed: **Apr. 8, 1998**

[51] **LOC (6) Cl. 24-04**

[52] **U.S. Cl. D24/191; D24/128; D24/190;
D24/191**

[58] **Field of Search D24/106, 135,
D24/155, 190, 128; 602/17, 5, 6; 606/196,
199, 204.45; 128/898**

[56] **References Cited**

U.S. PATENT DOCUMENTS

D. 352,783 11/1994 Doyle D24/190
D. 354,814 1/1995 Doyle D24/190
D. 378,313 3/1997 Doyle D24/128

D. 401,331 11/1998 Doyle D24/128
D. 407,494 3/1999 Doyle D24/190 X
5,139,510 8/1992 Goldsmith, III et al. 606/196
5,350,396 9/1994 Eliachar 606/199
5,713,839 2/1998 Shea 602/17

Primary Examiner—Louis S. Zarfes
Assistant Examiner—I Simmons
Attorney, Agent, or Firm—Roger A. Marrs

[57] **CLAIM**

The ornamental design for flat base airway septal splint, as shown and described.

DESCRIPTION

FIG. 1 is a front perspective view showing my new design for a flat base airway septal splint;
FIG. 2 is an end elevational view thereof with the opposite end view being a mirror image thereof;
FIG. 3 is a right side elevational view thereof;
FIG. 4 is a left side elevational view thereof; and,
FIG. 5 is a bottom plan view thereof.

1 Claim, 1 Drawing Sheet

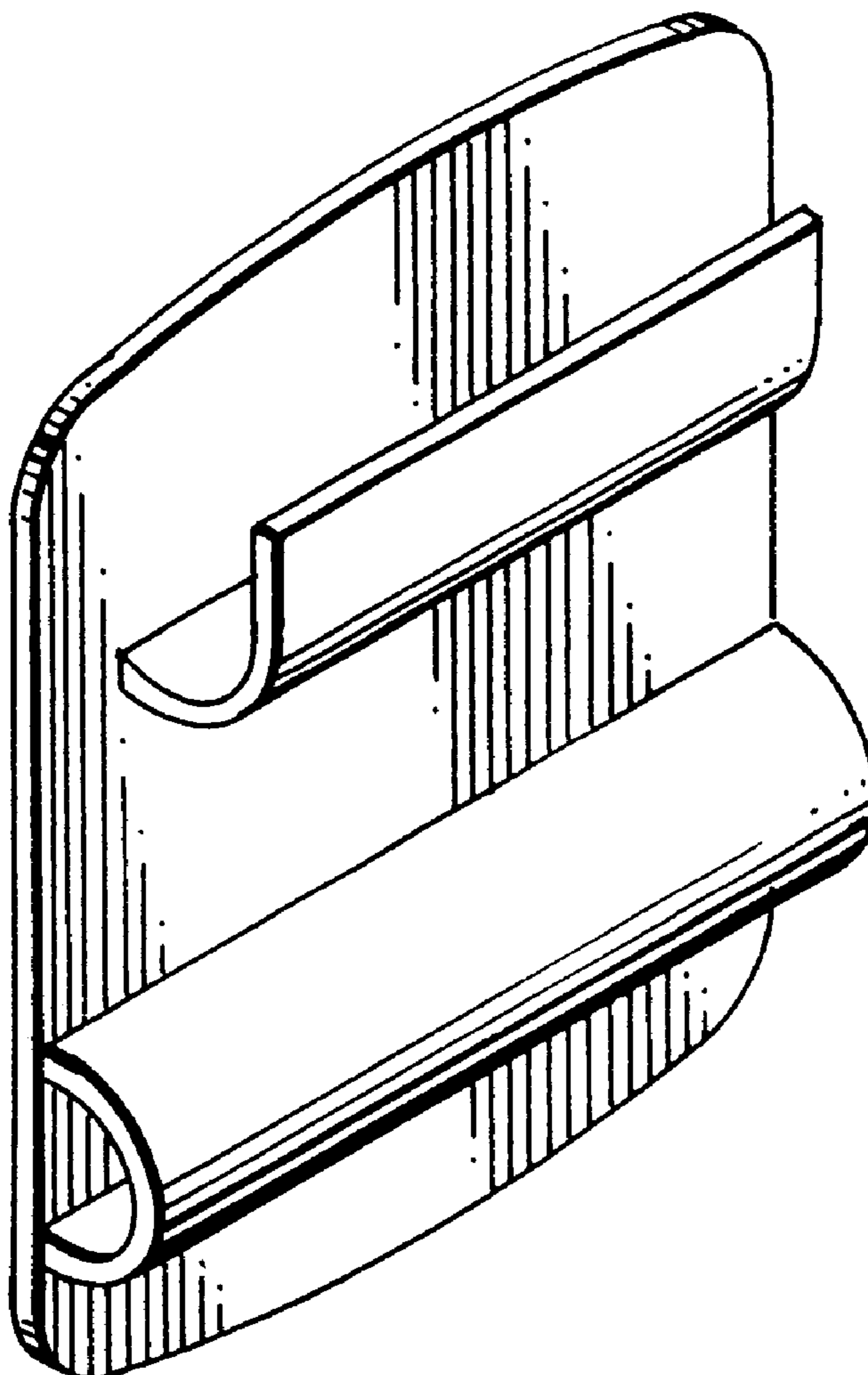


FIG. 1

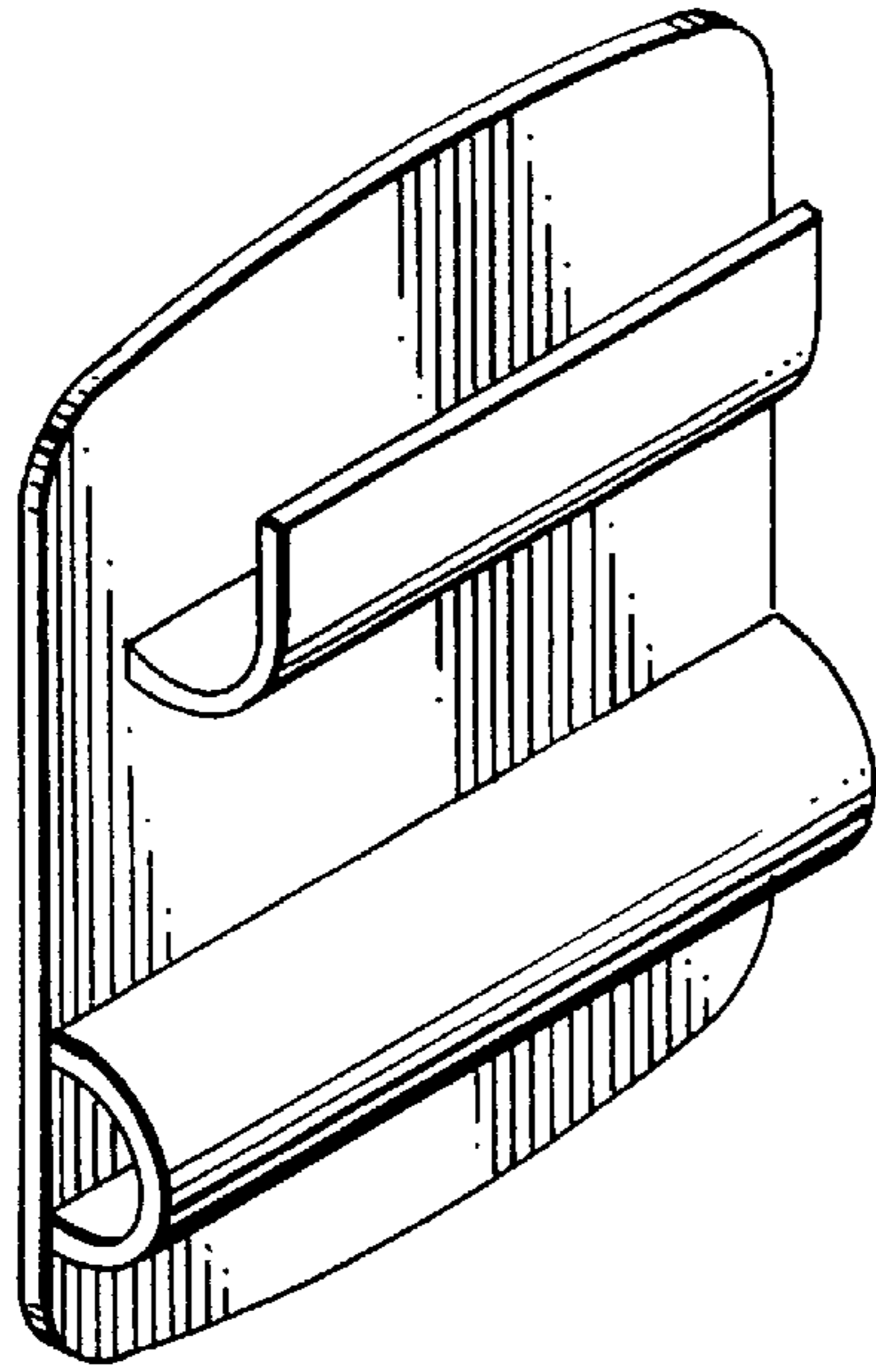


FIG. 2



FIG. 3

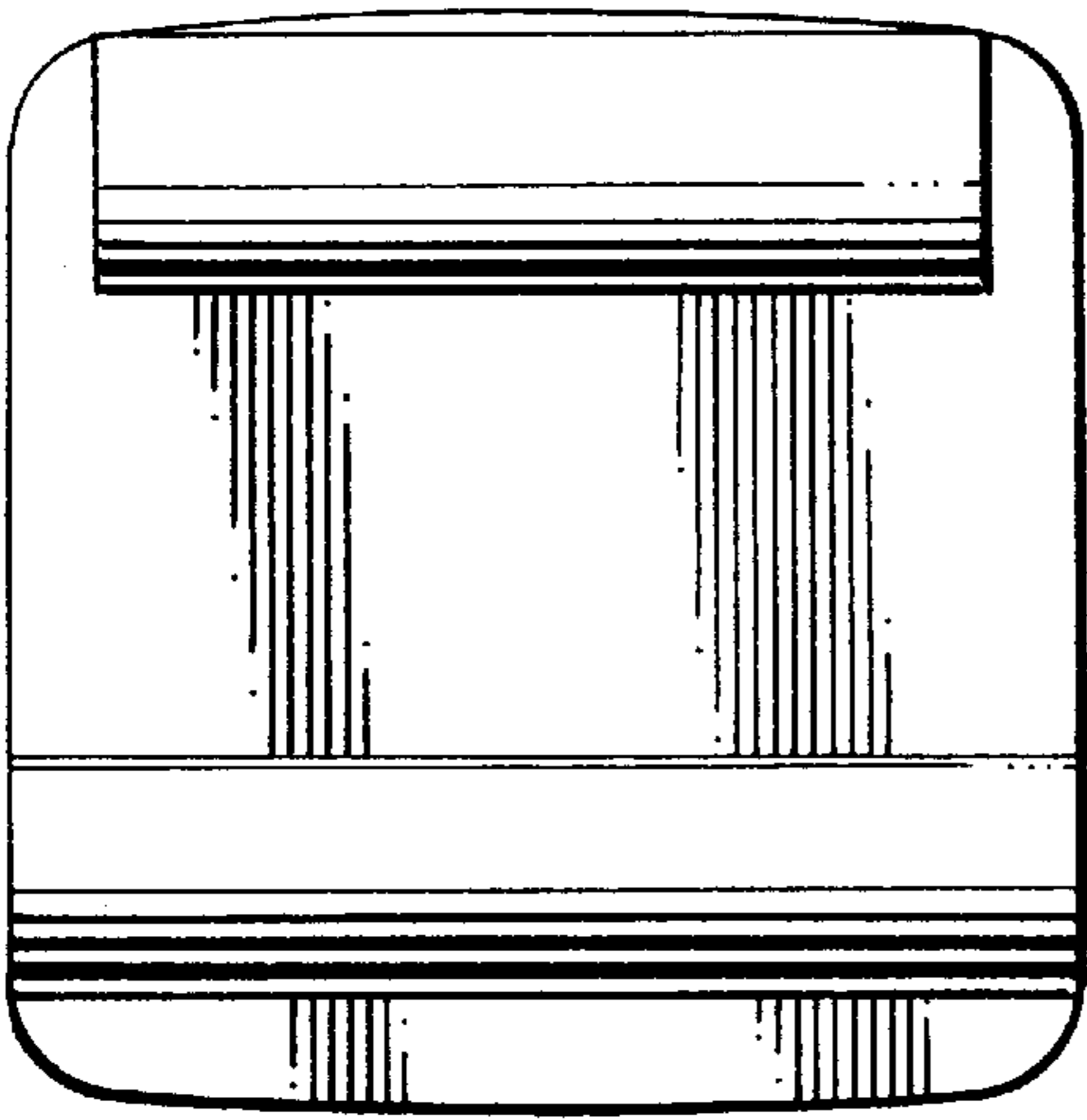


FIG. 4

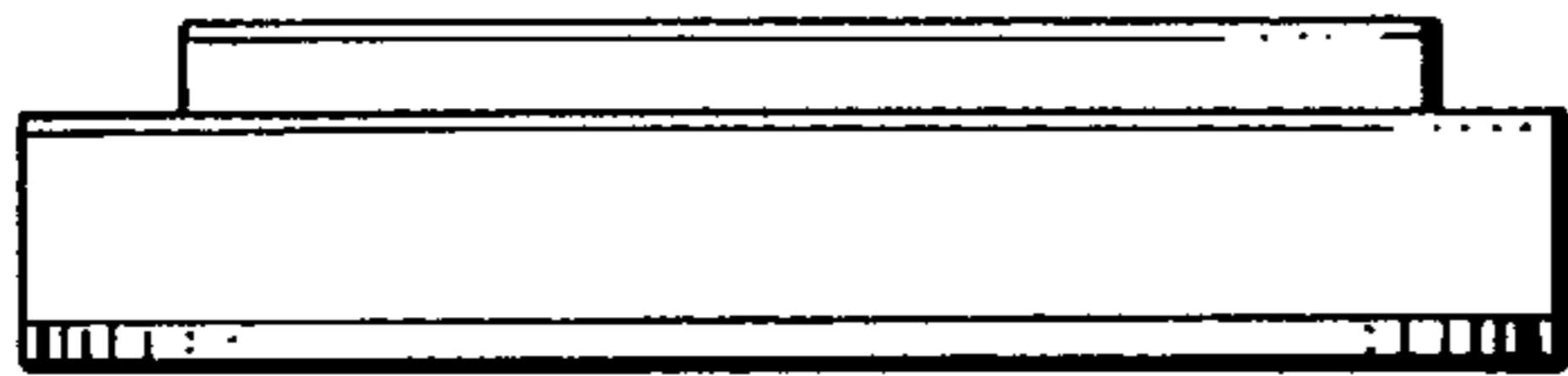
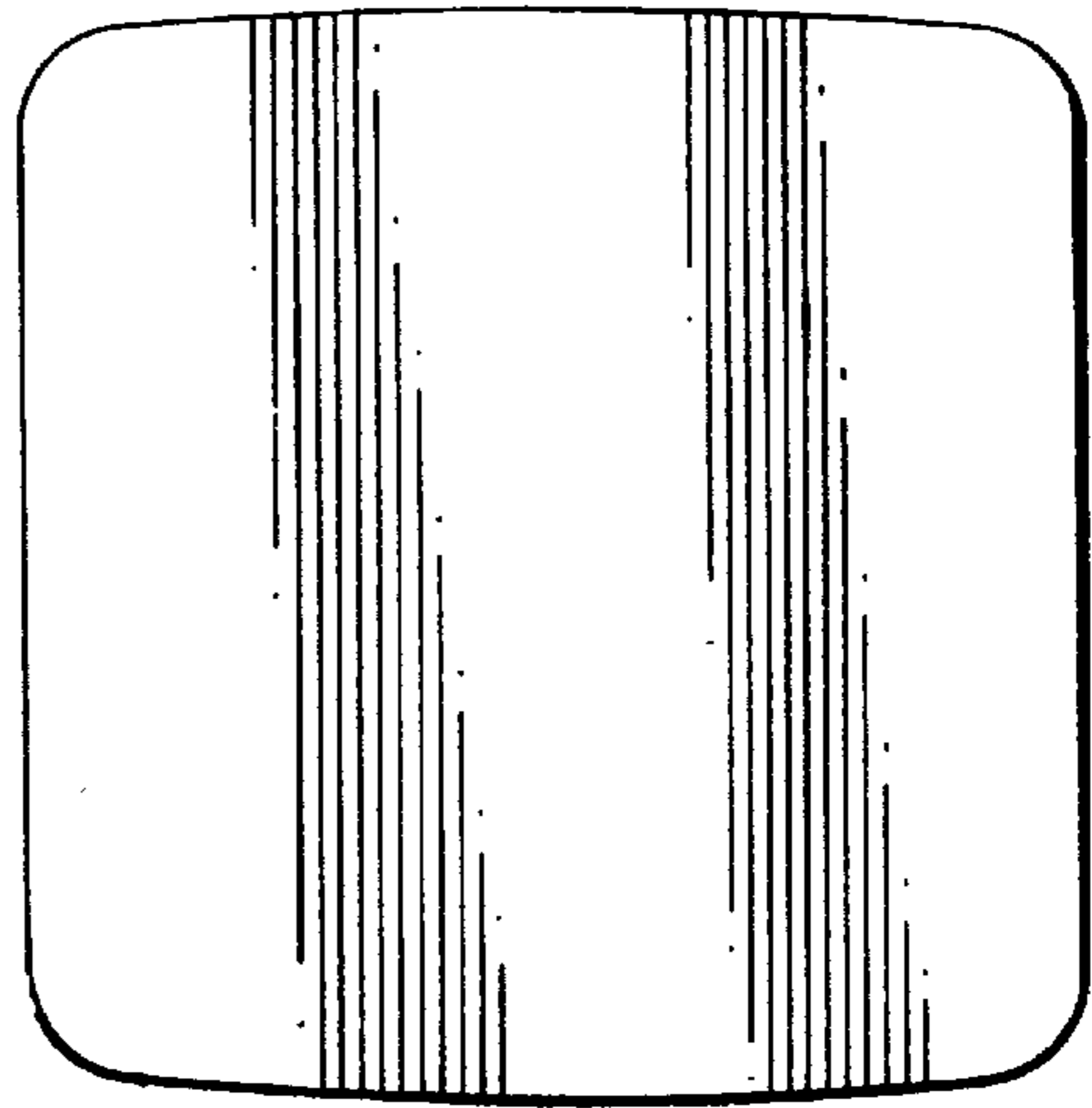


FIG. 5