



US00D414870S

# United States Patent [19] Saltzstein et al.

[11] **Patent Number: Des. 414,870**  
[45] **Date of Patent: \*\* Oct. 5, 1999**

[54] **VITAL SIGNS MONITOR**

4,602,637 7/1986 Elmqvist et al. .  
4,603,704 8/1986 Mund et al. .

[75] Inventors: **William E. Saltzstein**, Woodinville, Wash.; **Mohamed Sabri**, Beaverton; **Scott M. Burkhart**, Hillsboro, both of Oreg.; **Gregory T. Semler**, Menlo Park, Calif.

(List continued on next page.)

[73] Assignee: **Instromedix, Inc.**, Hillsboro, Oreg.

[\*\*] Term: **14 Years**

[21] Appl. No.: **29/081,446**

[22] Filed: **Jan. 2, 1998**

[51] **LOC (6) Cl. .... 24-01**

[52] **U.S. Cl. .... D24/186**

[58] **Field of Search** ..... D20/186; 600/391, 600/393, 345, 481, 484, 513, 519, 528, 532, 536, 538, 586, 549

### FOREIGN PATENT DOCUMENTS

0122888A2 10/1984 European Pat. Off. .  
0645710A2 7/1994 European Pat. Off. .  
0656718A2 9/1995 European Pat. Off. .  
0645710A3 11/1995 European Pat. Off. .  
81 19650 4/1983 France .  
2845-679 4/1980 Germany .  
27 53 165 6/1980 Germany .

### OTHER PUBLICATIONS

James E. McKee, Noel E. Evans and Frank J. Owens, *A Simultaneous Full-Duplex Speech and Electrocardiogram Communications System*, Proceedings of the Annual International Conference of the IEEE Engineering in Medicine and Biology Society, Baltimore, Nov. 3-6, 1994, vol. 16, pp. 902-903.

### [56] References Cited

(List continued on next page.)

#### U.S. PATENT DOCUMENTS

D. 238,905 2/1976 Sokol ..... D24/186  
D. 264,128 4/1982 Barnes et al. .... D24/186  
D. 323,894 2/1992 Rosati et al. .... D24/186  
D. 392,043 3/1998 Cooper et al. .... D24/186  
3,886,314 5/1975 Pori .  
3,938,507 2/1976 Sarnoff et al. .  
3,971,980 7/1976 Jungfer et al. .  
3,972,320 8/1976 Kalman .  
4,108,166 8/1978 Schmid .  
4,120,294 10/1978 Wolfe .  
4,129,125 12/1978 Lester et al. .  
4,173,971 11/1979 Karz .  
4,216,462 8/1980 McGrath et al. .  
4,230,127 10/1980 Larson .  
4,256,117 3/1981 Perica et al. .  
4,270,547 6/1981 Steffen et al. .... 600/484  
4,347,851 9/1982 Jundanian ..... 600/481  
4,409,983 10/1983 Albert .  
4,425,921 1/1984 Fujisaki et al. .  
4,450,843 5/1984 Barney et al. .  
4,494,553 1/1985 Sciarra et al. .  
4,531,527 7/1985 Reinhold, Jr. et al. .

*Primary Examiner*—Stella Reid  
*Attorney, Agent, or Firm*—Klarquist Sparkman Campbell Leigh & Whinston, LLP

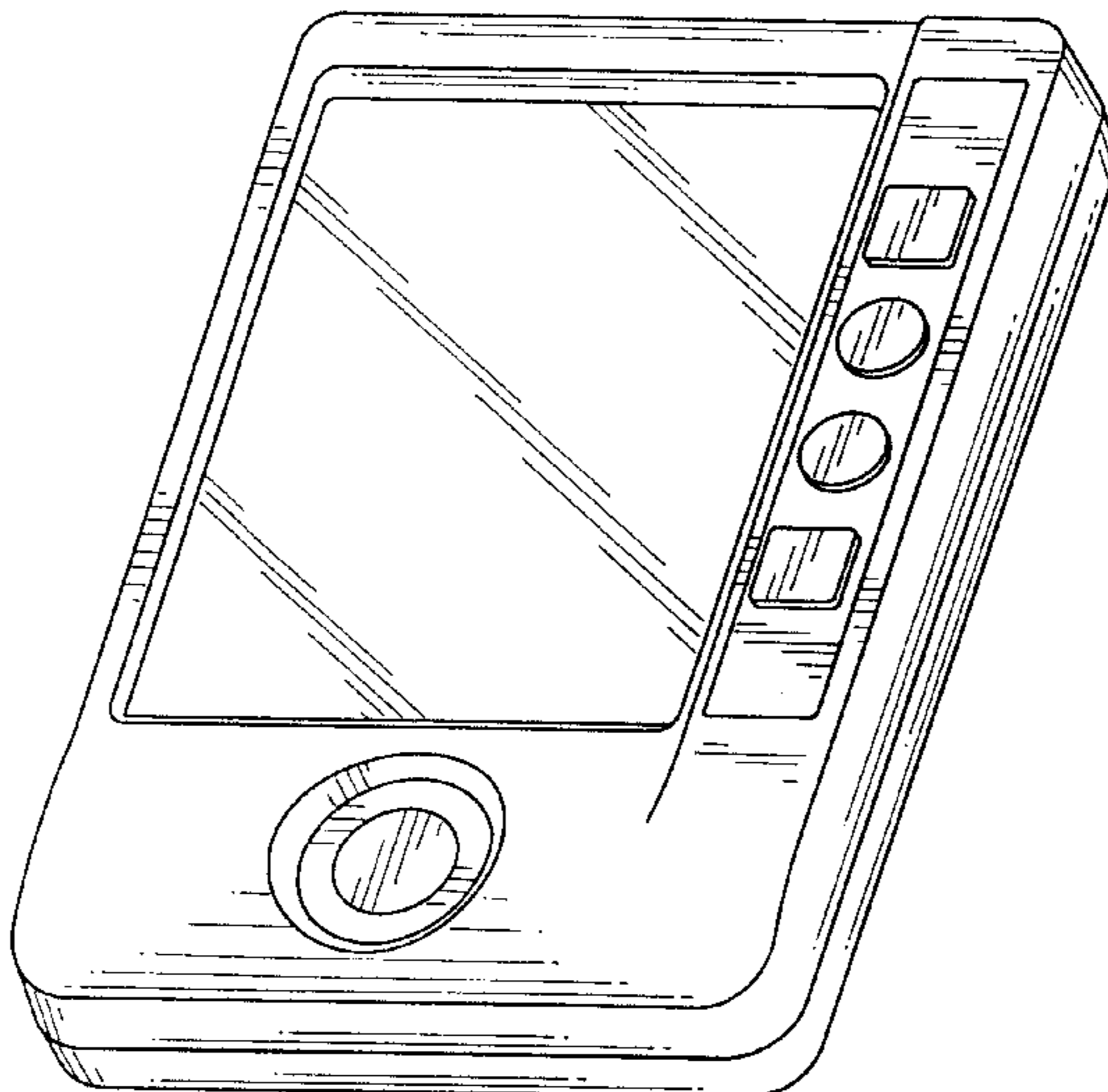
### [57] CLAIM

The ornamental design for a vital signs monitor, as shown and described.

### DESCRIPTION

FIG. 1 is an isometric view showing the front of a vital signs monitor constructed in accordance with the present invention;  
FIG. 2 is an isometric view showing the rear of the vital signs monitor of FIG. 1;  
FIG. 3 is a front view of the vital signs monitor of FIG. 1;  
FIG. 4 is a left side view thereof;  
FIG. 5 is a right side view thereof;  
FIG. 6 is a top view thereof; and,  
FIG. 7 is a bottom view thereof.

**1 Claim, 2 Drawing Sheets**



## U.S. PATENT DOCUMENTS

4,611,604	9/1986	Botvidsson et al. .	
4,679,000	7/1987	Clark .	
4,715,381	12/1987	Moberg .	
4,724,844	2/1988	Rafelson .....	600/483
4,763,663	8/1988	Uphold et al. ....	600/484
4,784,162	11/1988	Ricks et al. .	
4,791,933	12/1988	Asai et al. .	
4,799,491	1/1989	Eckerle .	
4,802,488	2/1989	Eckerle .	
4,803,625	2/1989	Fu et al. .	
4,838,275	6/1989	Lee .	
4,883,064	11/1989	Olson et al. .	
4,928,690	5/1990	Heilman et al. .	
4,933,873	6/1990	Kaufman et al. .	
4,938,228	7/1990	Righter et al. .	
4,945,477	7/1990	Edwards .	
4,949,046	8/1990	Seyfang .	
4,952,862	8/1990	Biagetti et al. .	
4,958,641	9/1990	Digby et al. .	
4,967,756	11/1990	Hewitt .	
4,974,607	12/1990	Miwa .	
4,979,235	12/1990	Rumbaugh et al. .	
4,981,139	1/1991	Pfohl .....	600/484
5,001,484	3/1991	Weiss .	
5,007,429	4/1991	Treach et al. .	
5,010,890	4/1991	Pfohl et al. ....	600/528
5,012,814	5/1991	Mills et al. .	
5,024,225	6/1991	Fang .	
5,025,794	6/1991	Albert et al. .	
5,033,474	7/1991	Varelis et al. .	
5,036,513	7/1991	Greenblatt .	
5,038,800	8/1991	Oba .	
5,128,552	7/1992	Fang et al. .	
5,142,484	8/1992	Kaufman et al. .	
5,154,183	10/1992	Kreyenhagen et al. .	
5,185,861	2/1993	Valencia .	
5,191,891	3/1993	Righter .	
5,216,596	6/1993	Weinstein .	

5,226,431	7/1993	Bible et al. .
5,317,269	5/1994	Mills et al. .
5,321,618	6/1994	Gessman .
5,333,616	8/1994	Mills et al. .
5,339,823	8/1994	Reinhold, Jr. .
5,343,869	9/1994	Pross et al. .
5,351,695	10/1994	Mills et al. .
5,357,427	10/1994	Langen et al. .
5,365,935	11/1994	Righter et al. .
5,381,798	1/1995	Burrows .
5,390,238	2/1995	Kirk et al. .
5,394,882	3/1995	Mawhinney .
5,462,051	10/1995	Oka et al. .
5,467,773	11/1995	Bergelson et al. .
5,474,090	12/1995	Begun et al. .
5,544,661	8/1996	Davis et al. .
5,553,609	9/1996	Chen et al. .
5,557,800	9/1996	Kasimov et al. .
5,607,454	3/1997	Cameron et al. .
5,613,495	3/1997	Mills et al. .
5,704,364	1/1998	Saltzstein et al. .

## OTHER PUBLICATIONS

William Stallings, *Data and Computer Communications*, 2d. Ed., pp. 103–113, MacMillan Publishing Co., 1988.

Bernard L. Segal et al., Telephone Phonocardiograph, *The American Journal of Medical Electronics*, pp. 189–191, Jul.–Sep., 1964.

Fisher, Anne B., *House Calls*, Inc., pp. 72–79, Jul. 1989.

*Comparison of Duplex and Triplex Memory Reliability*, pp. 503,507, IEEE Transactions on Computers, vol. 45. No. 4., Apr. 1996.

Symposium on the Engineering of Computer-Based Medical Systems, pp. 22–27, Jun. 8–10, 1998.

Kathy Brock, Inventors of Heart Monitor Tick Toward Prosperity, *The Business Journal*, p. 15, Sep. 17, 1990.

English language abstract of published European Patent Application No. 745,710A2, Derwent Info. Ltd.

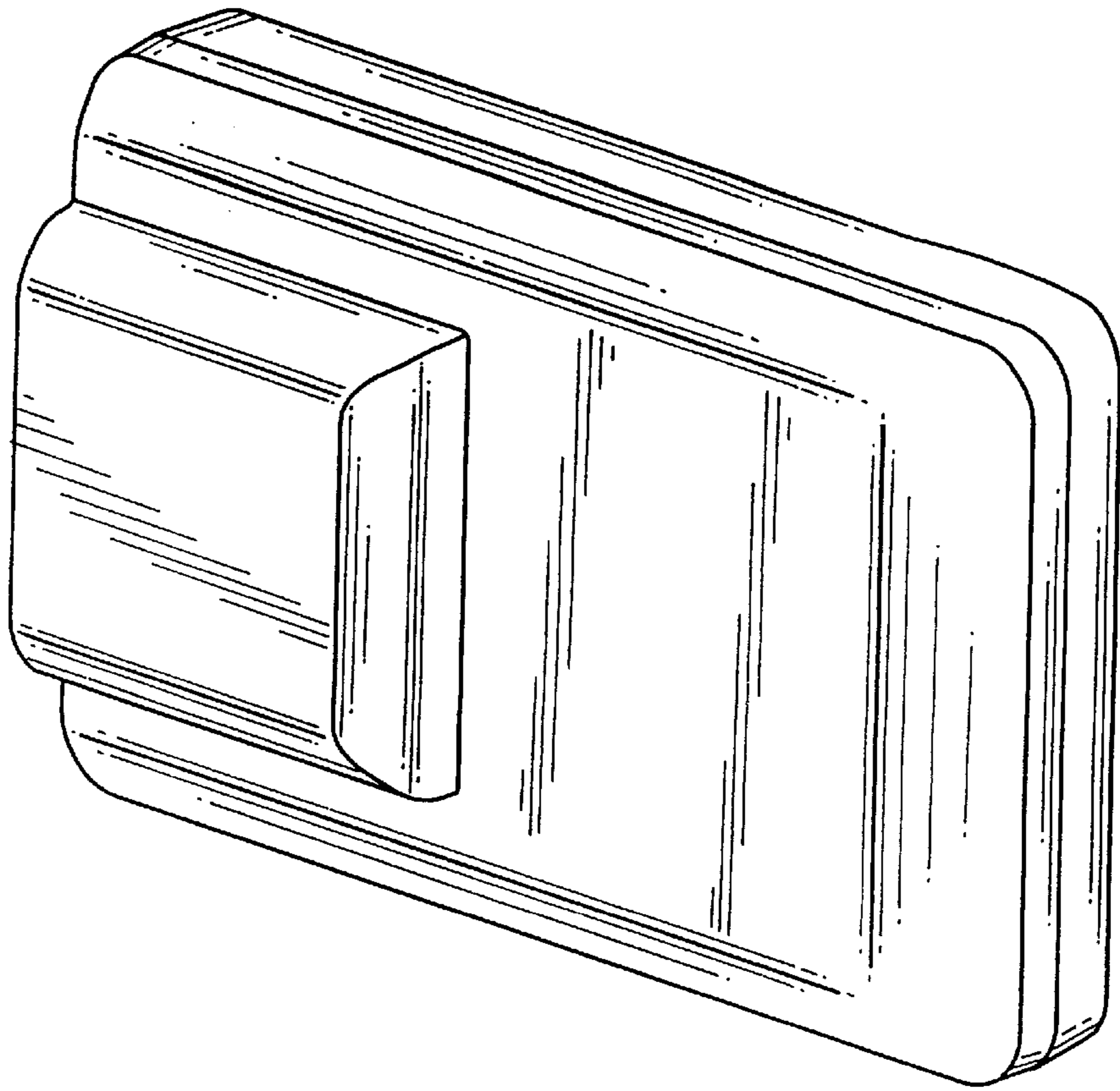


FIG. 2

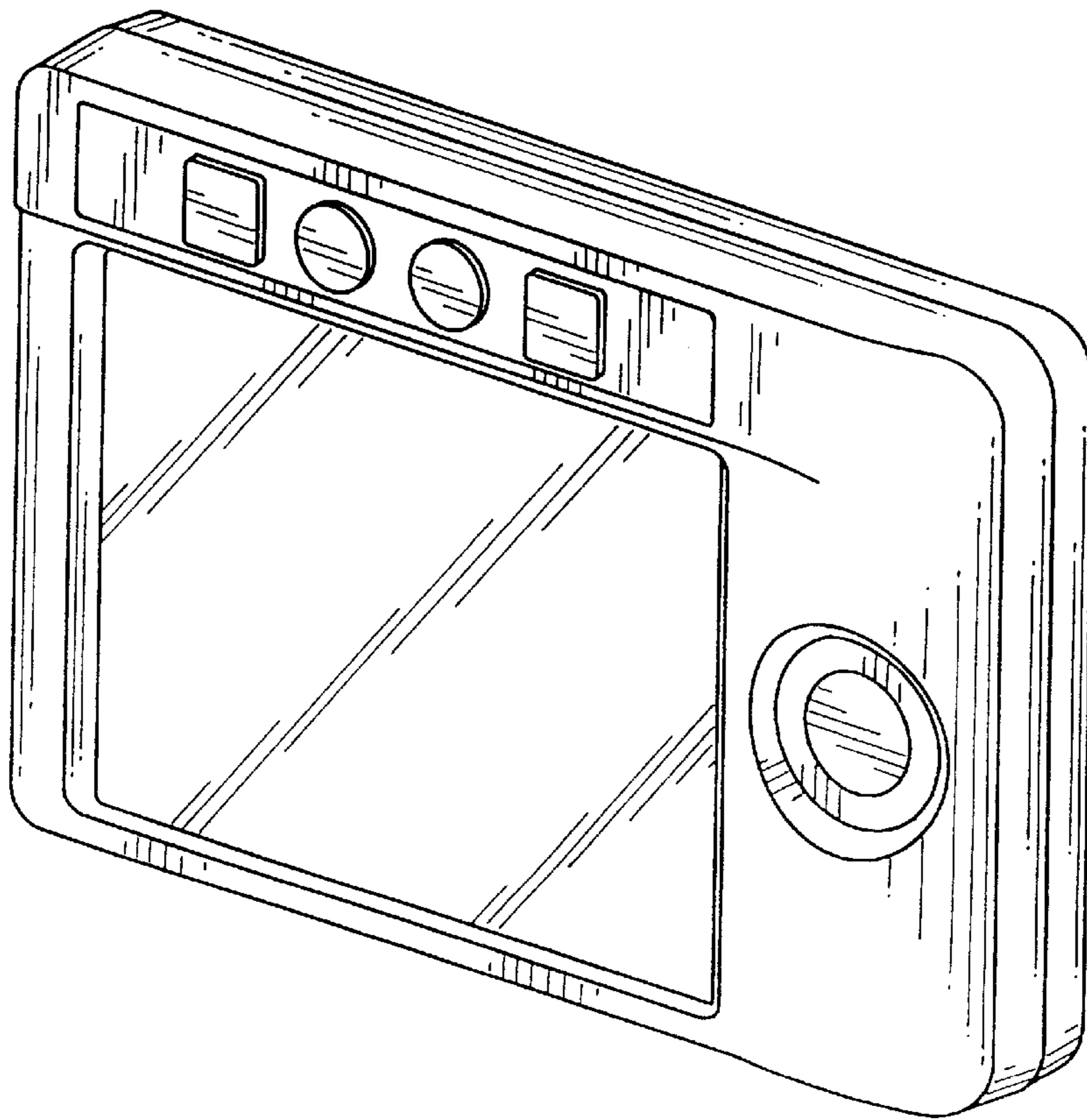


FIG. 1

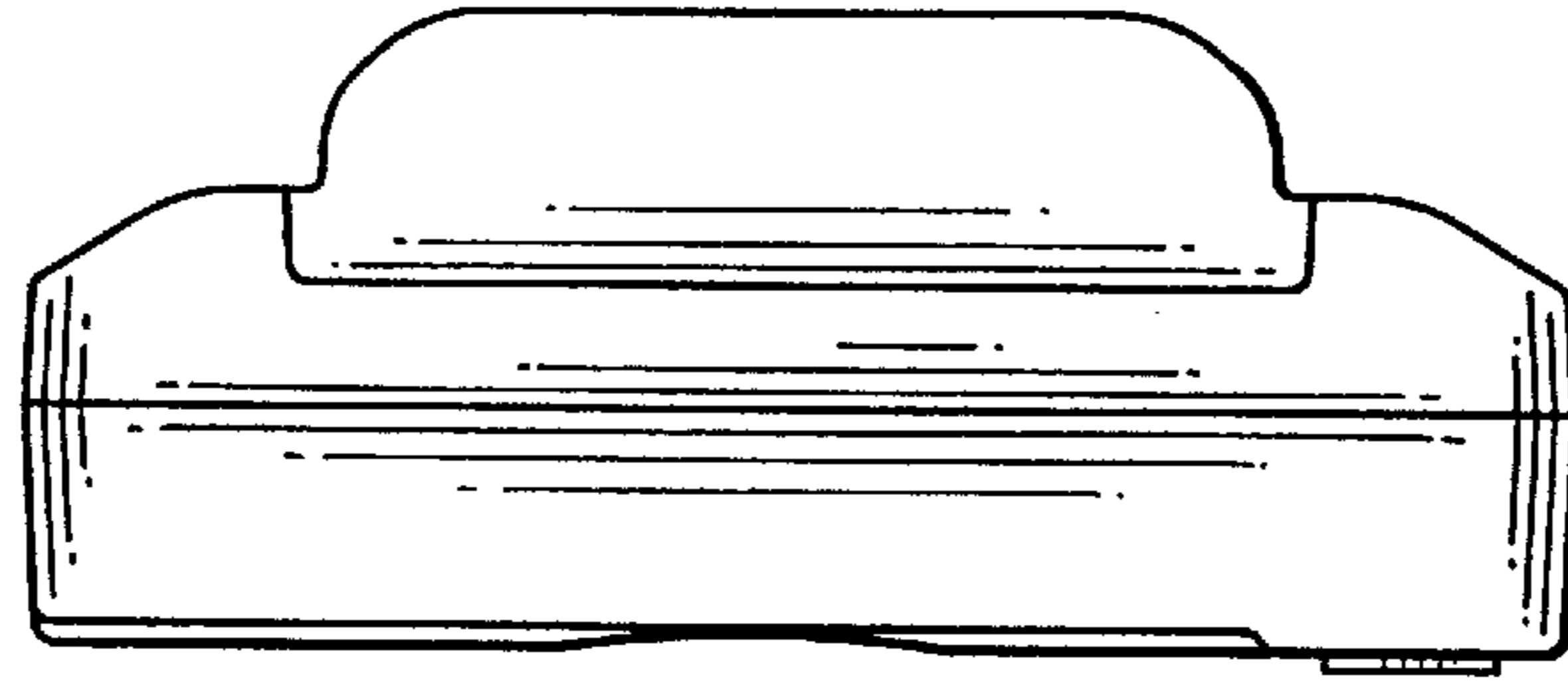


FIG. 6

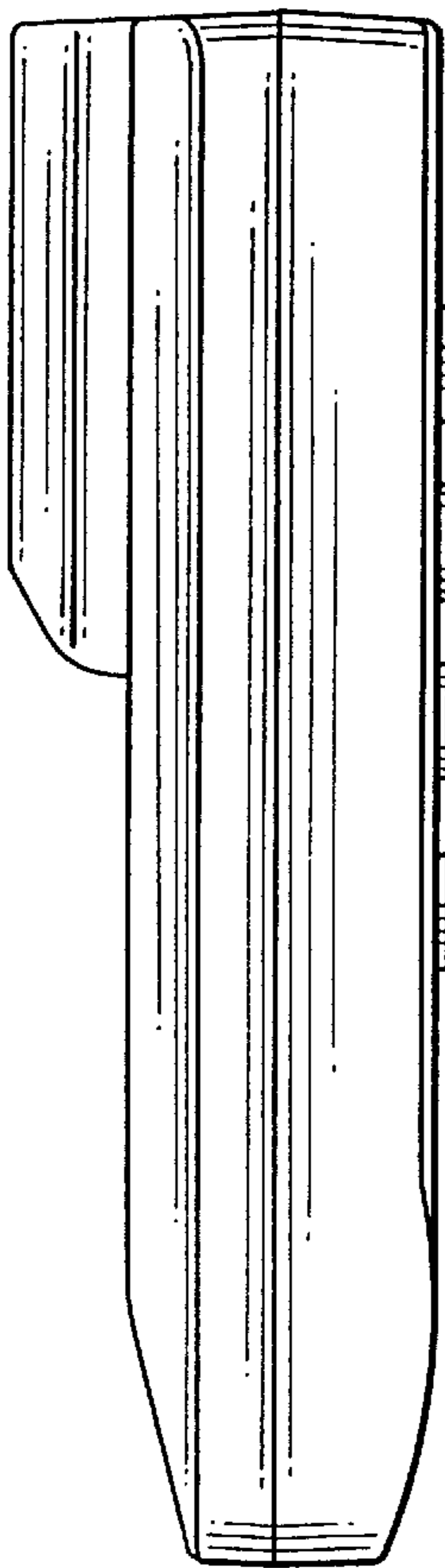


FIG. 4

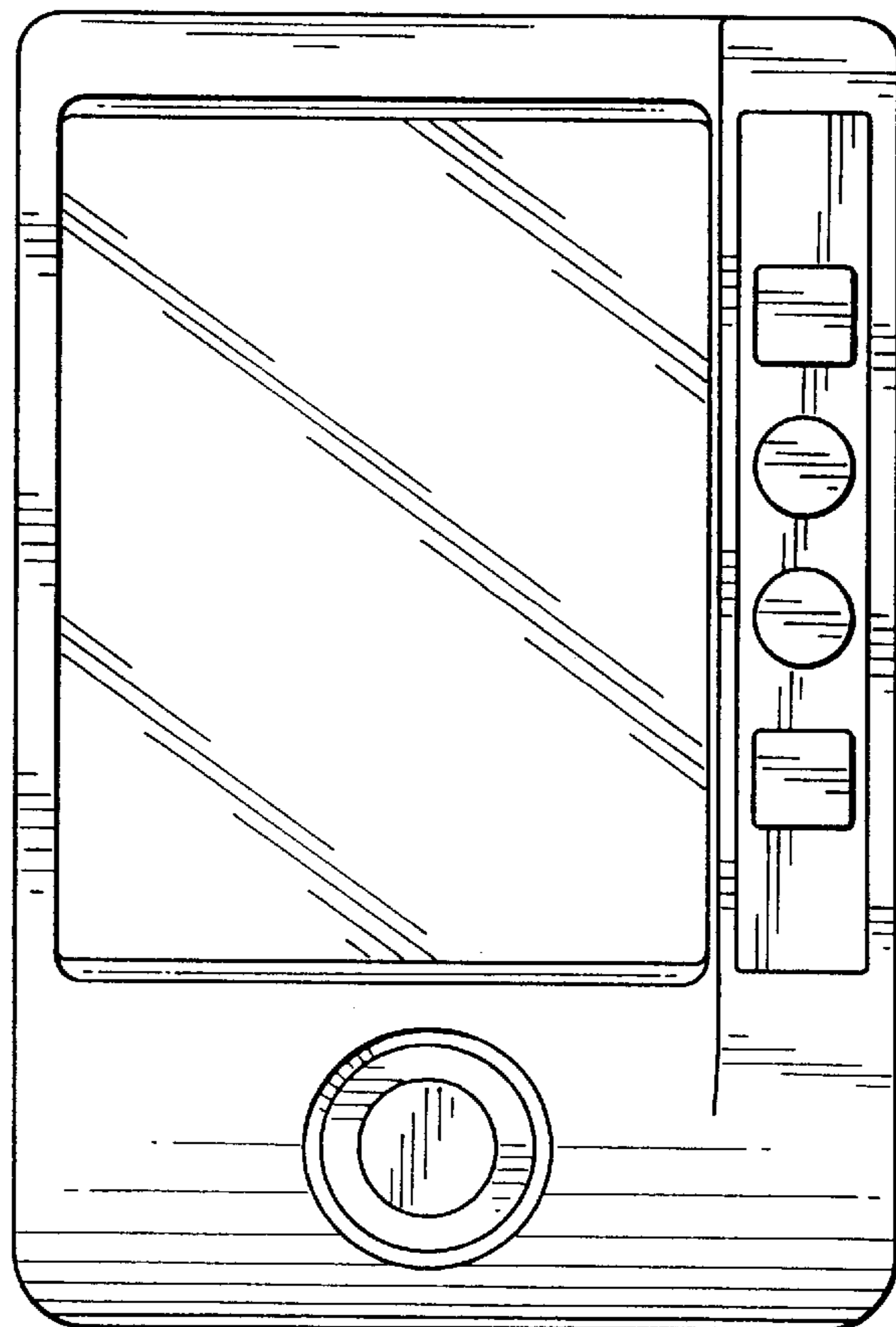


FIG. 3

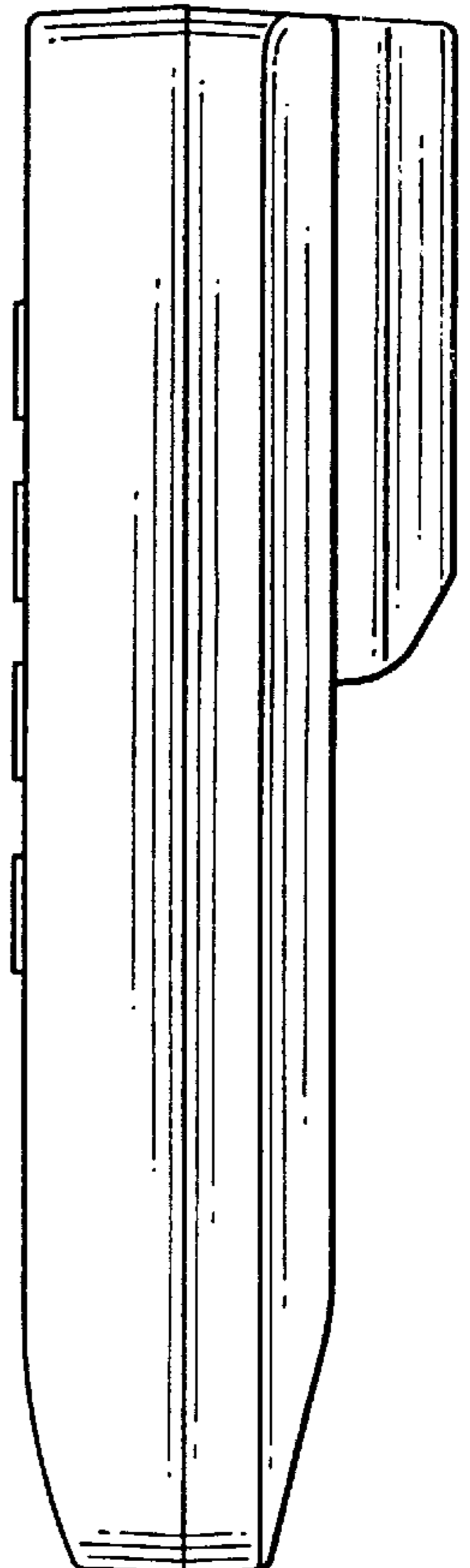


FIG. 5

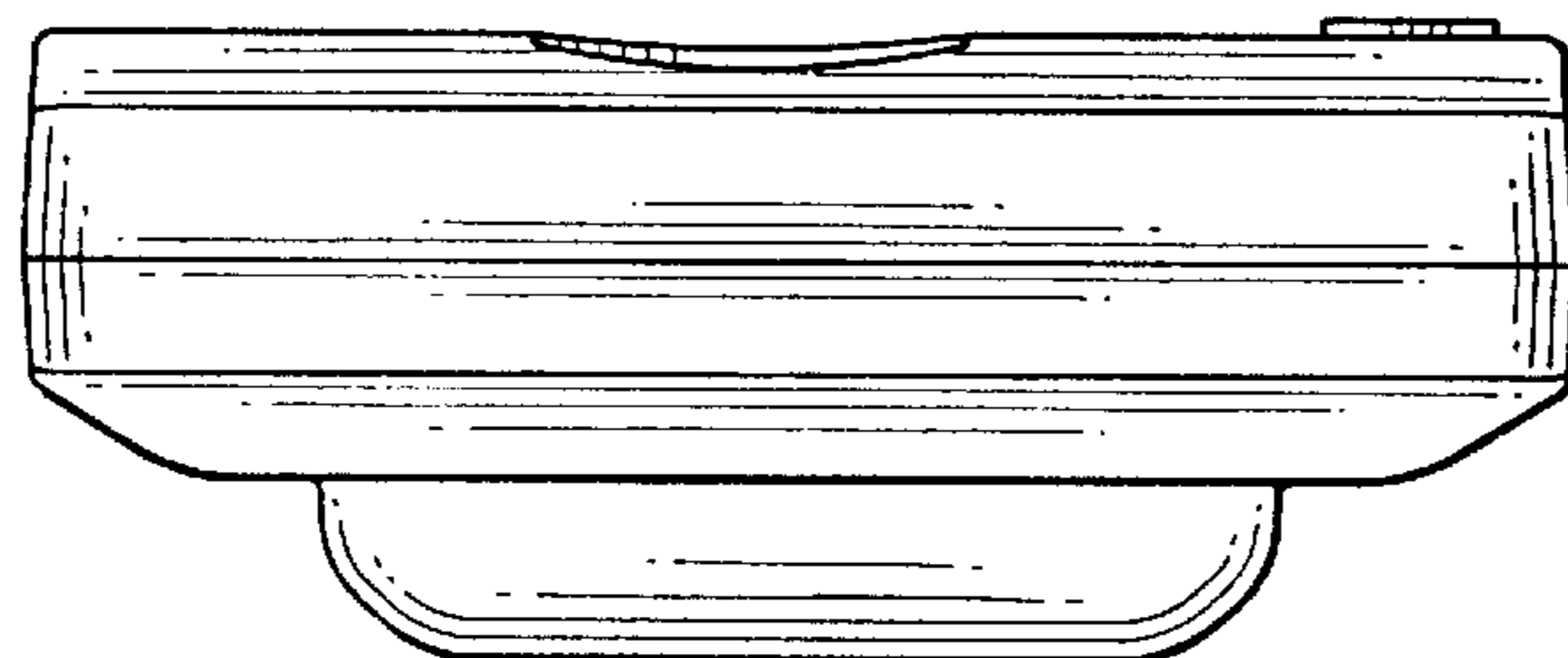


FIG. 7