



US00D414869S

# United States Patent [19]

Daynes et al.

[11] Patent Number: Des. 414,869

[45] Date of Patent: \*\* Oct. 5, 1999

[54] DEFIBRILLATOR WITH RETRACTABLE HOOKS

[75] Inventors: John C. Daynes, Redmond; Rodney J. Merry, Woodinville, both of Wash.

[73] Assignee: Medtronic Physio-Control Manufacturing Corp., Redmond, Wash.

[\*\*] Term: 14 Years

[21] Appl. No.: 29/088,923

[22] Filed: Jun. 3, 1998

### Related U.S. Application Data

[63] Continuation-in-part of application No. 08/984,389, Dec. 3, 1997, and a continuation-in-part of application No. 29/079,613, Dec. 8, 1997.

[51] LOC (6) Cl. .... 24-01

[52] U.S. Cl. .... D24/167

[58] Field of Search ..... D24/167, 165; 607/5, 7, 6; 600/522, 523

### [56] References Cited

#### U.S. PATENT DOCUMENTS

- D. 269,810 7/1983 Mace et al. .
- D. 290,169 6/1987 Jones et al. .
- D. 291,244 8/1987 Jones et al. .
- D. 291,245 8/1987 Lanci et al. .... D24/167
- D. 297,763 9/1988 Daynes .
- D. 298,166 10/1988 Chennault .
- D. 320,653 10/1991 Jones et al. .
- D. 326,522 5/1992 Arnoy et al. .... D24/167

- D. 342,788 12/1993 Weaver et al. .... D24/167
- D. 357,318 4/1995 Hill et al. .
- 4,619,265 10/1986 Morgan et al. .... 607/6
- 5,562,710 10/1996 Olsen et al. .... 607/5
- 5,575,807 11/1996 Faller ..... 607/5

### OTHER PUBLICATIONS

Protocol Systems, Inc., sales brochure for Propaq 100 Series monitors available for sale prior to Dec. 3, 1997.

Primary Examiner—Stella Reid  
Attorney, Agent, or Firm—Christensen O'Connor Johnson & Kindness PLLC

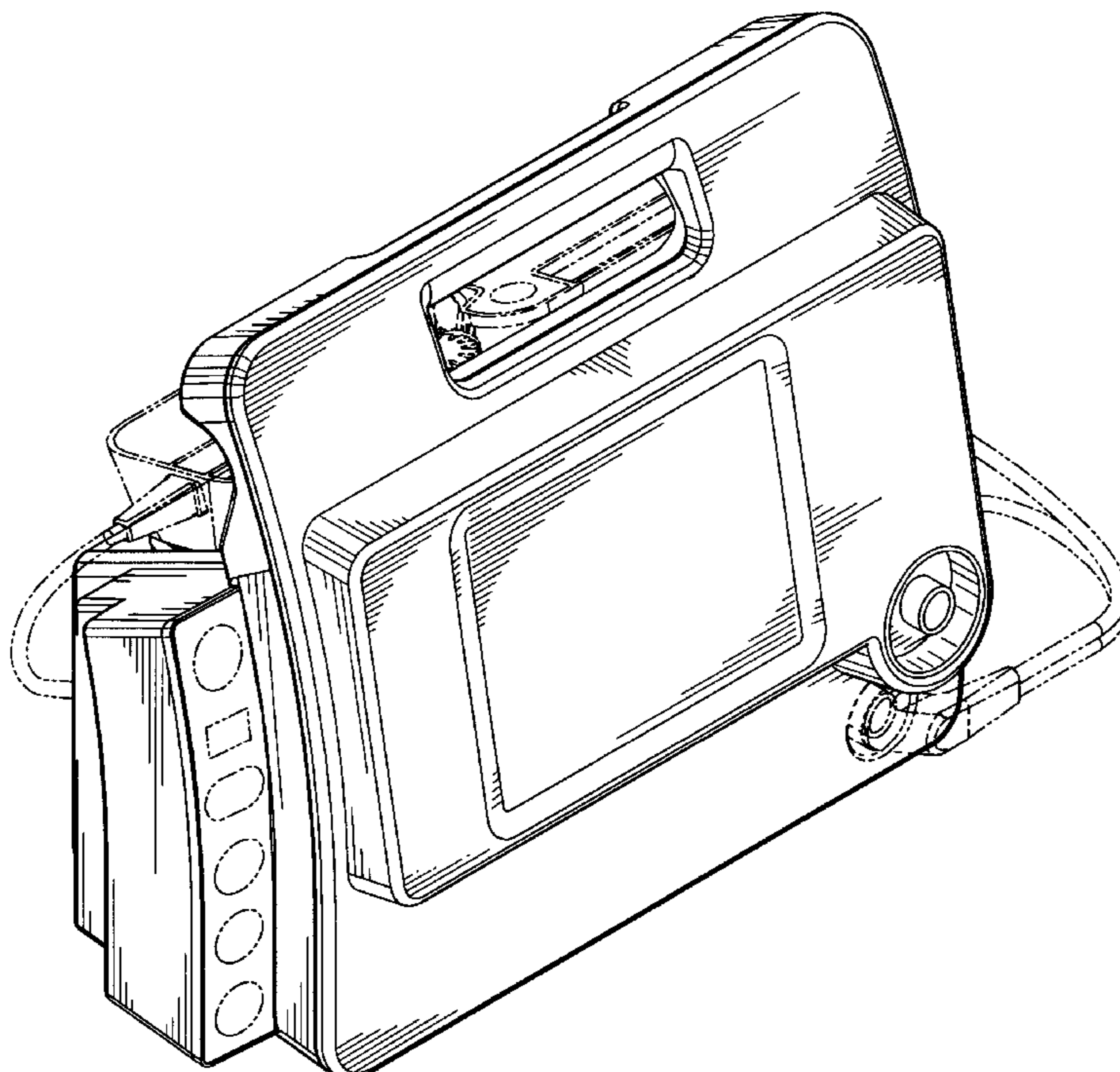
### [57] CLAIM

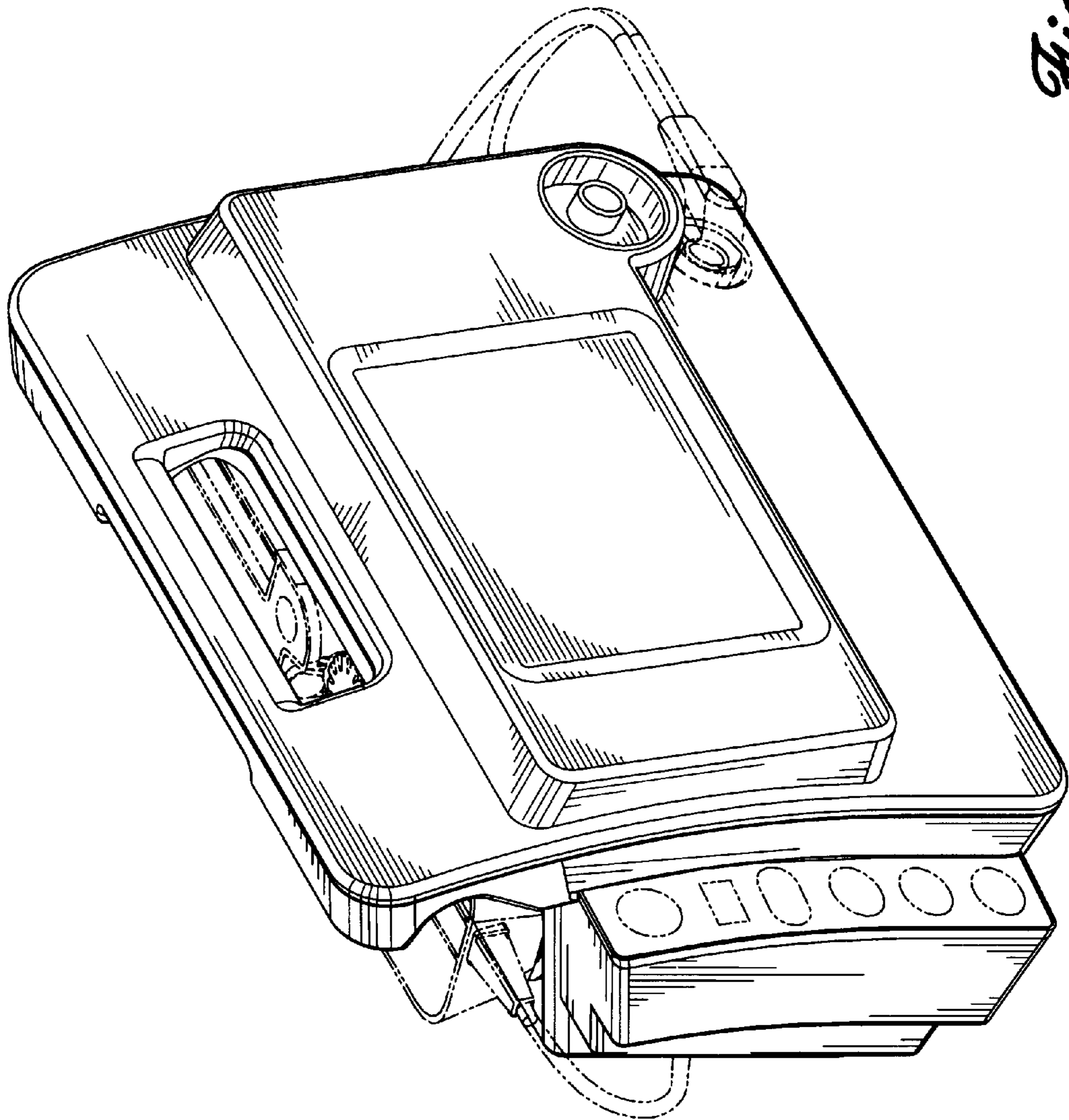
The ornamental design for a defibrillator with retractable hooks, as shown and described.

### DESCRIPTION

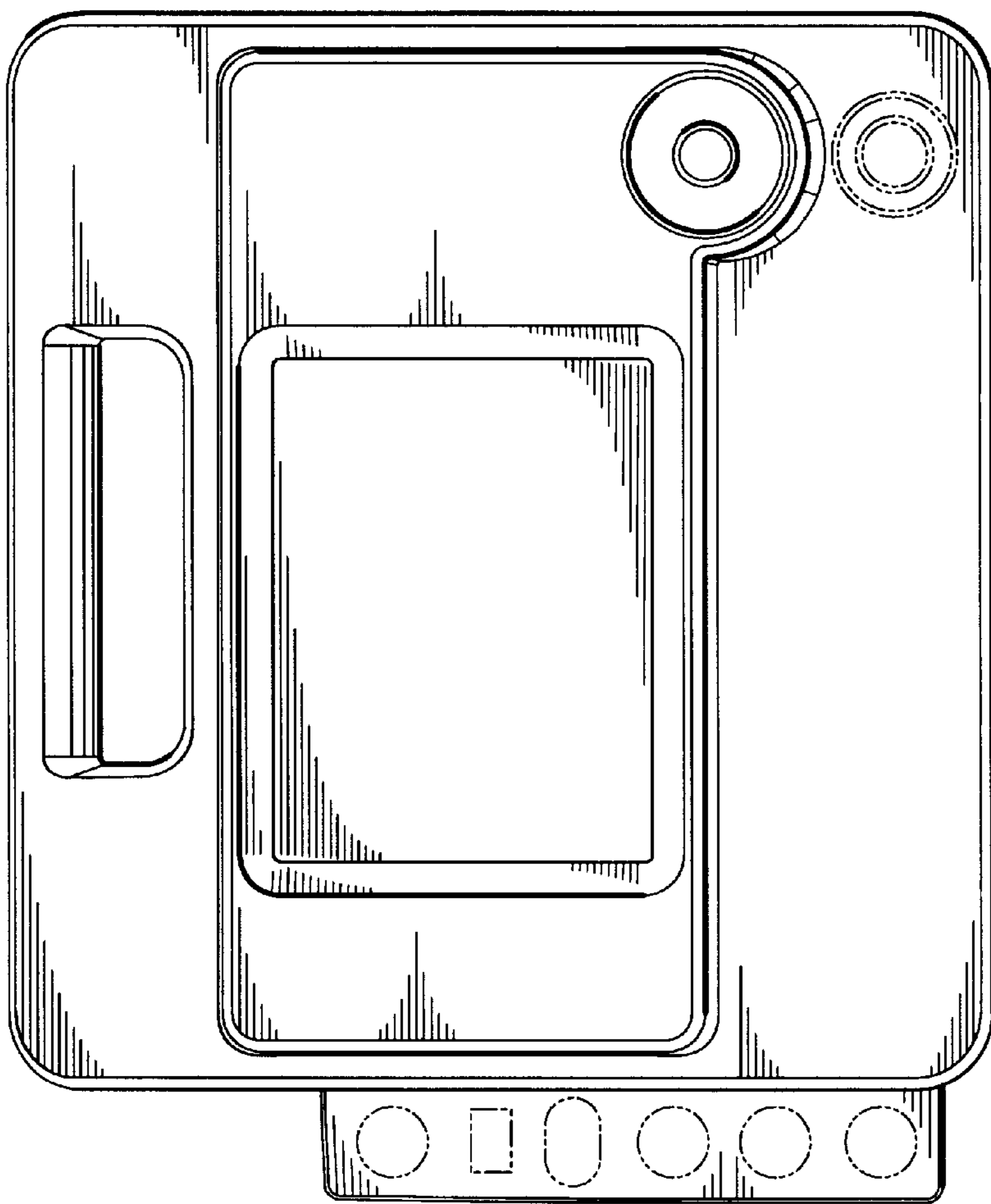
FIG. 1 is a perspective view of a defibrillator with retractable hooks, showing our new design, with the broken line showing of the defibrillator paddles, lead wires, plug and electrical connection sites being for illustrative purposes only and forming no part of the claimed design; FIG. 2 is a front elevational view thereof; FIG. 3 is a left side elevational view thereof, with the retractable hooks shown in extended position; FIG. 4 is a right side elevational view thereof; FIG. 5 is a right side elevational view thereof, with the retractable hooks shown in retracted position; FIG. 6 is a rear elevational view thereof; FIG. 7 is a top plan view thereof; and, FIG. 8 is a bottom plan view thereof.

1 Claim, 6 Drawing Sheets

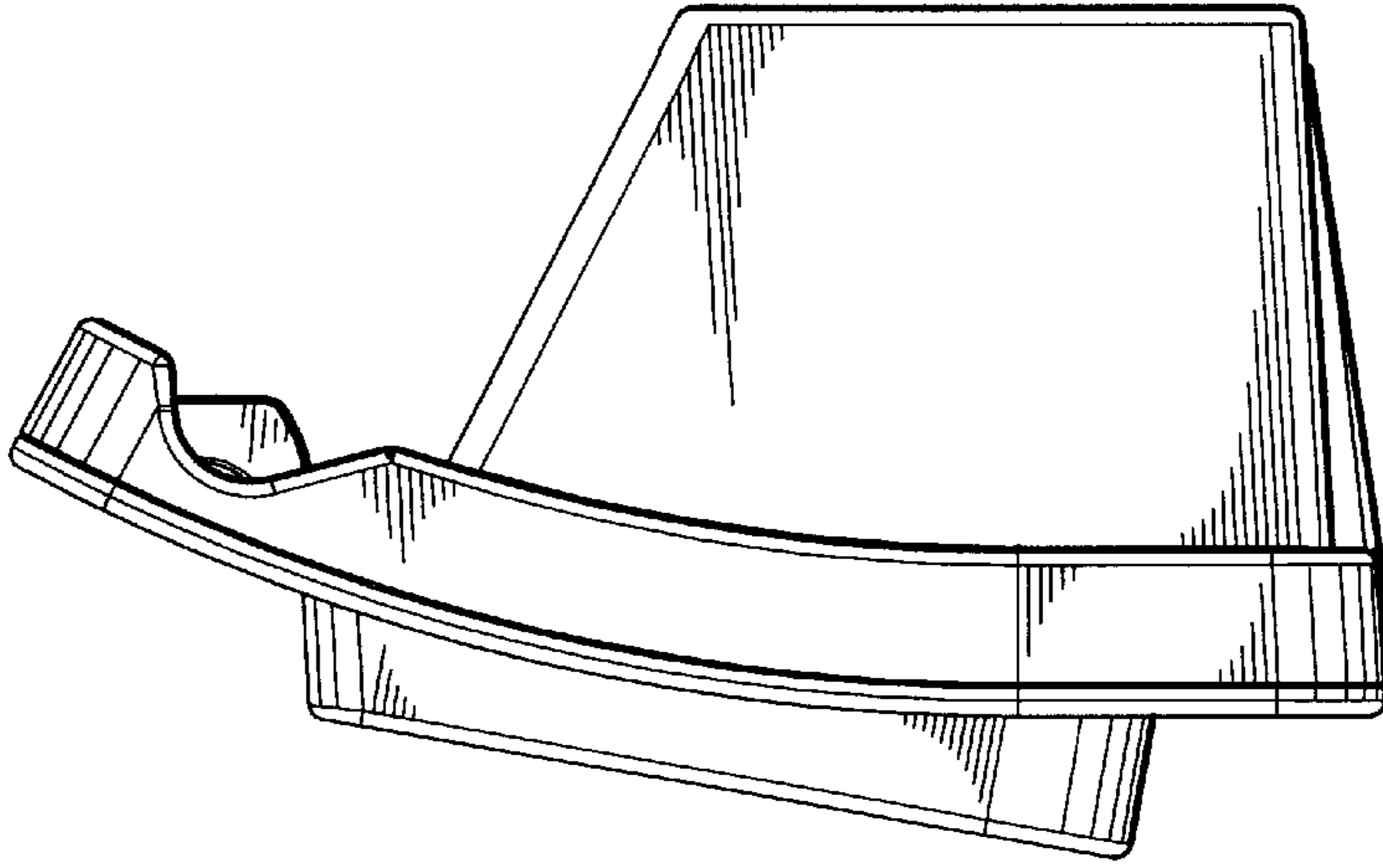




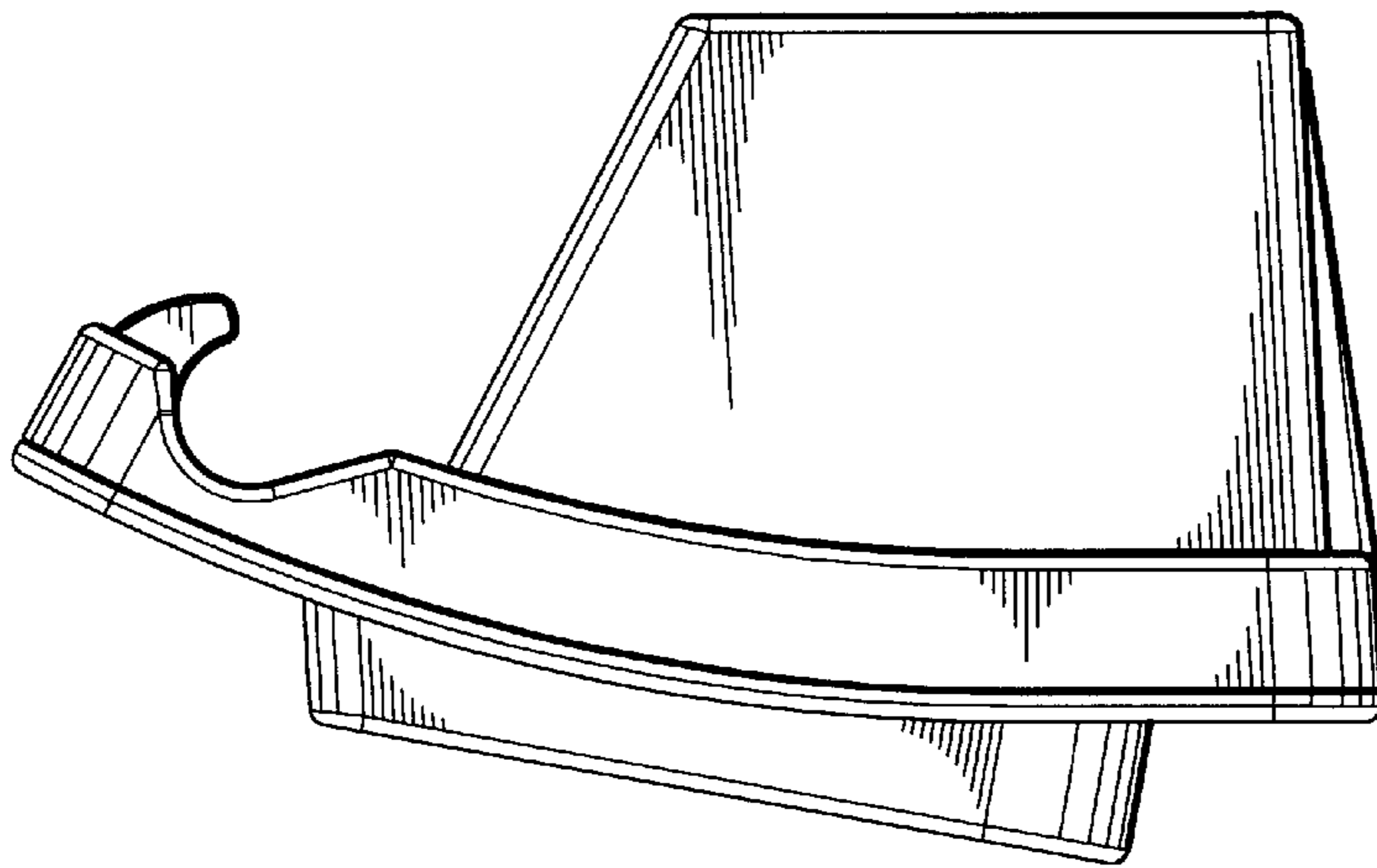
*Fig. 1*



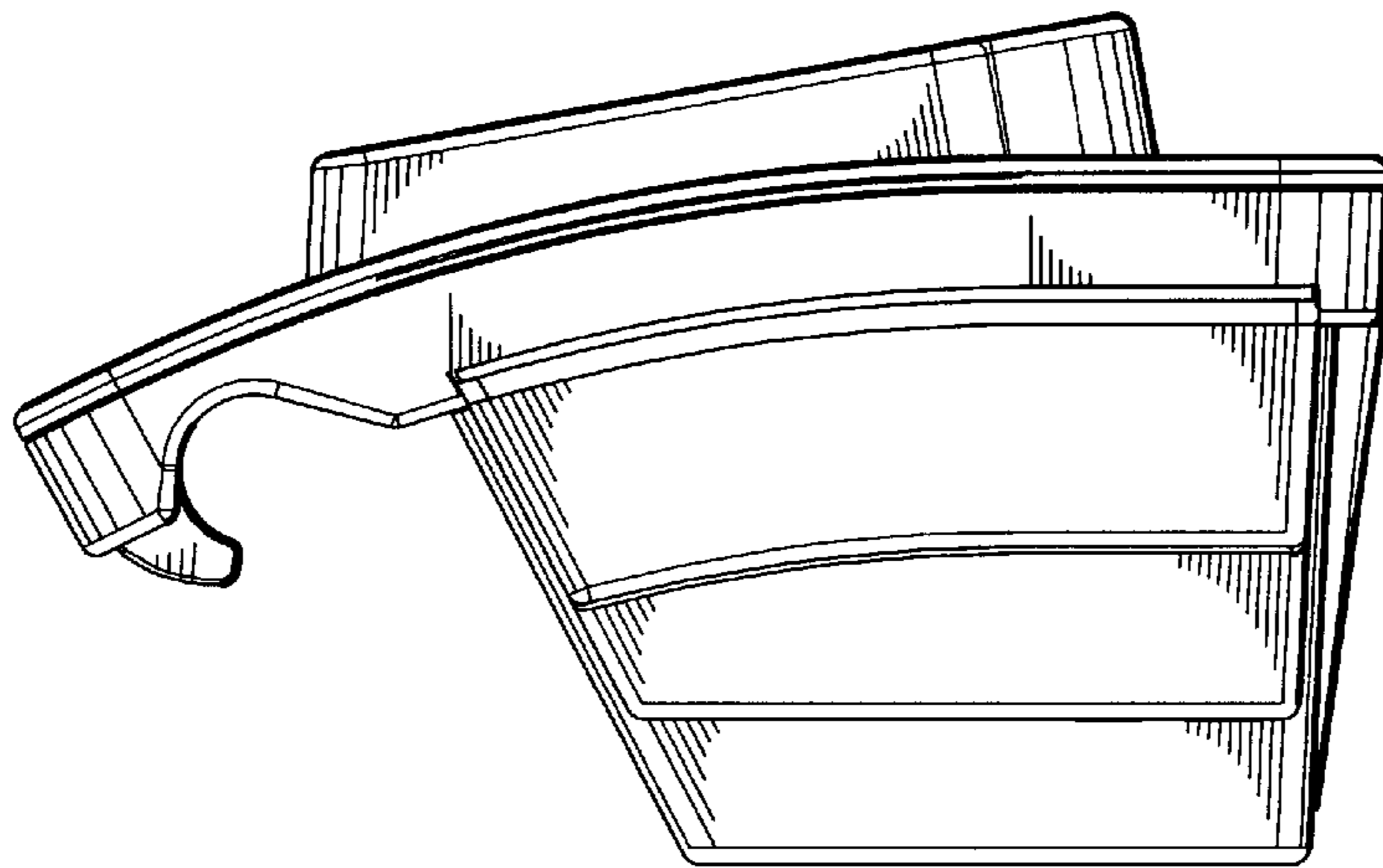
*Fig. 2*



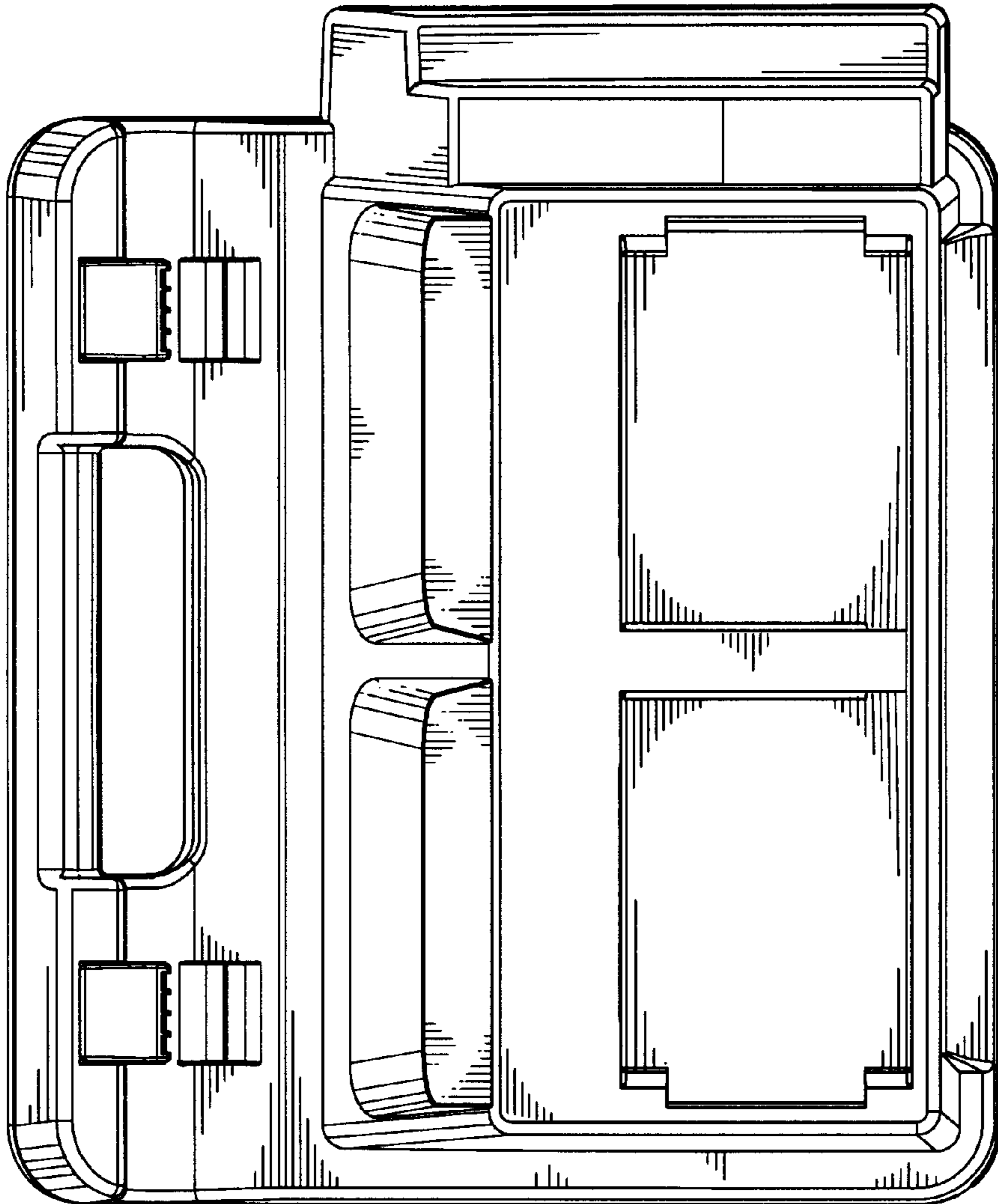
*Fig. 5*



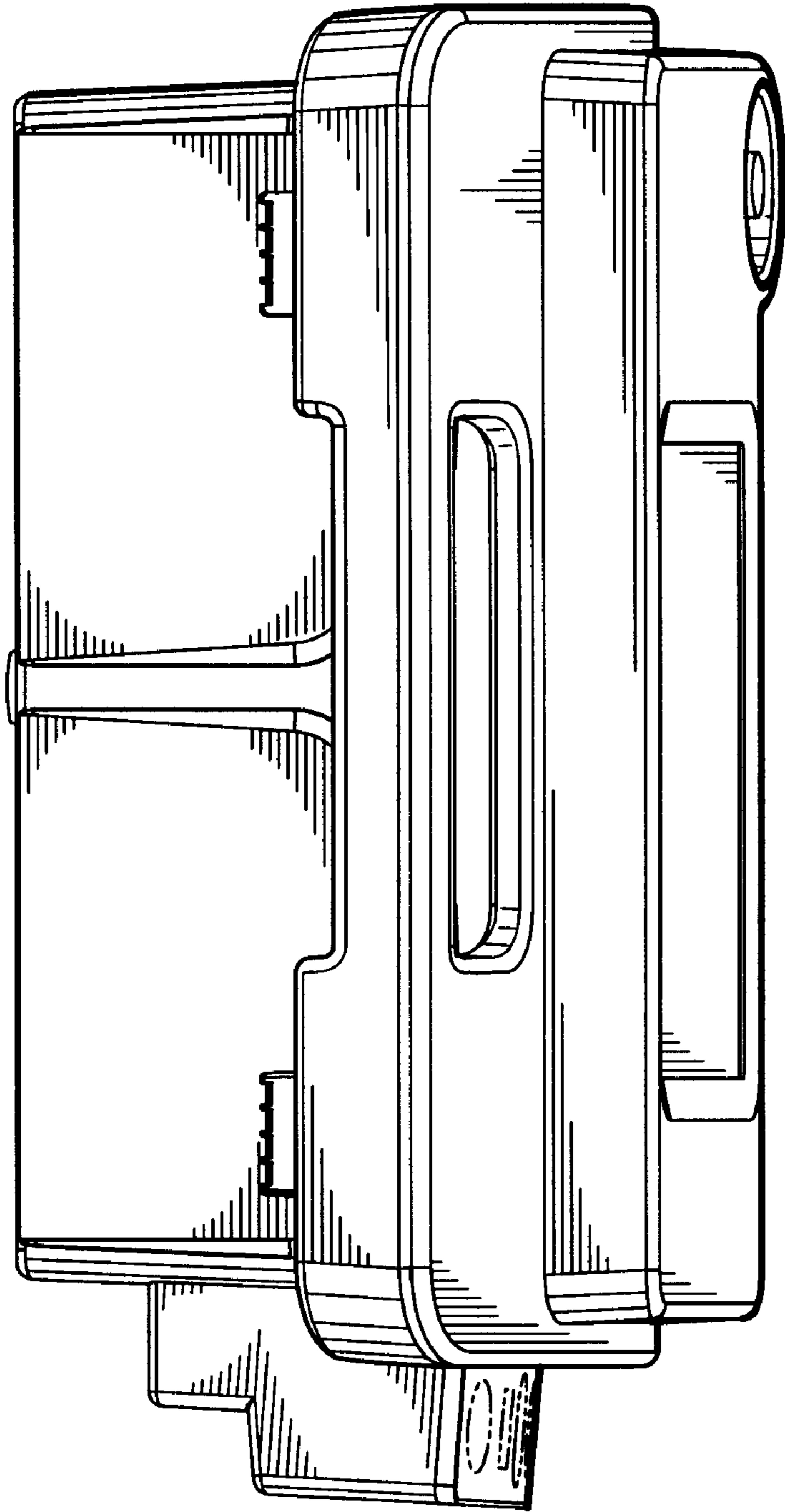
*Fig. 4*



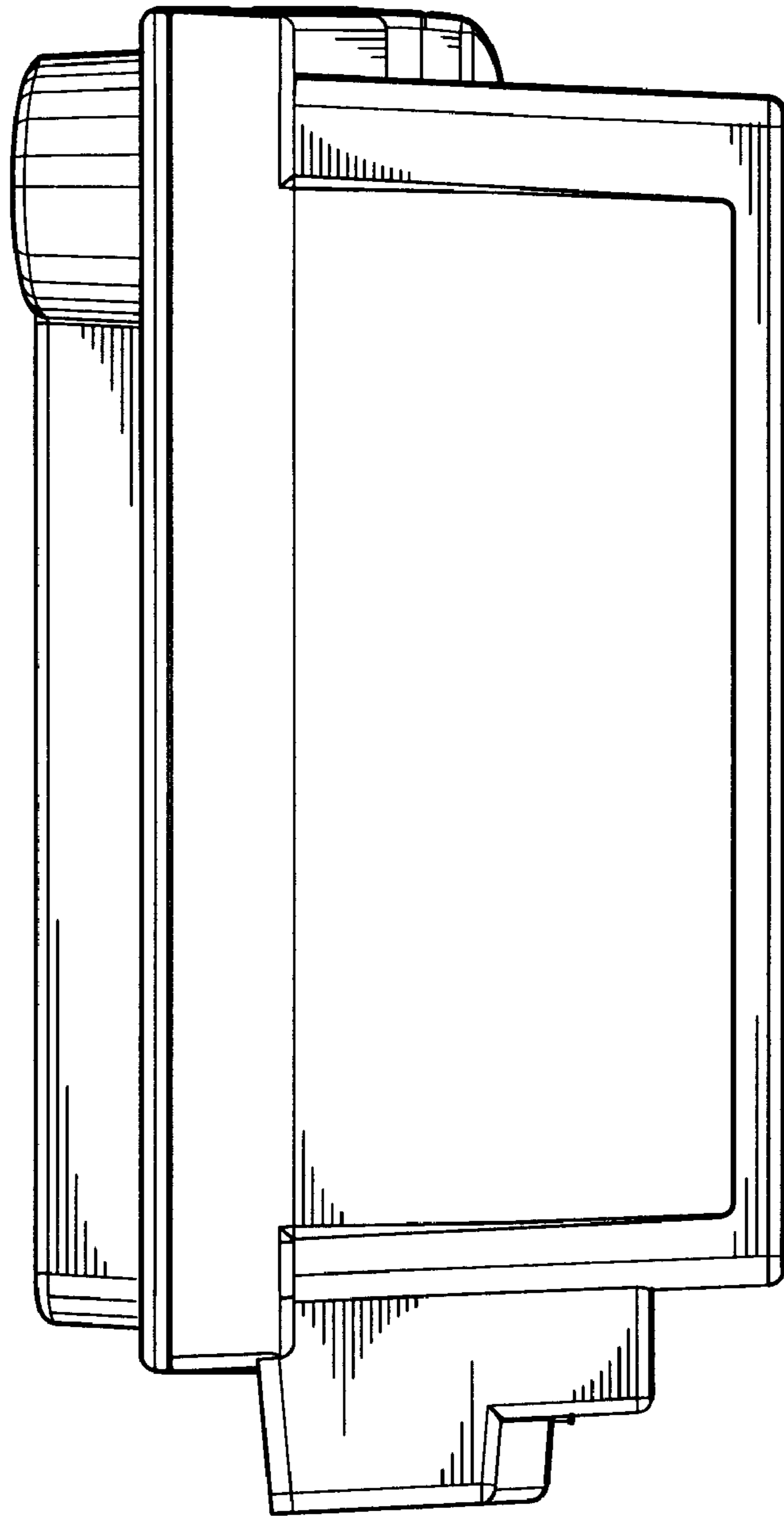
*Fig. 3*



*Fig. 6*



*Fig. 7*



*Fig. 8*