



US00D414868S

United States Patent [19] Baars

[11] **Patent Number: Des. 414,868**

[45] **Date of Patent: ** Oct. 5, 1999**

[54] **COMPUTED TOMOGRAPHY SCANNER**

D. 345,606	3/1994	Perusek	D24/159
4,750,195	6/1988	Takahashi	378/15
5,097,131	3/1992	Plummer et al.	250/363.08

[75] Inventor: **Jan-Erik Baars**, Mödling, Austria

[73] Assignee: **U. S. Philips Corporation**, New York, N.Y.

Primary Examiner—Stella Reid
Attorney, Agent, or Firm—Ernestine C. Bartlett

[**] Term: **14 Years**

[57] **CLAIM**

[21] Appl. No.: **29/094,599**

The ornamental design for a computed tomography scanner, as shown.

[22] Filed: **Oct. 6, 1998**

DESCRIPTION

[51] **LOC (6) Cl.** **24-01**

[52] **U.S. Cl.** **D24/158**

[58] **Field of Search** D24/159, 158;
378/4, 15, 17, 19, 20-27

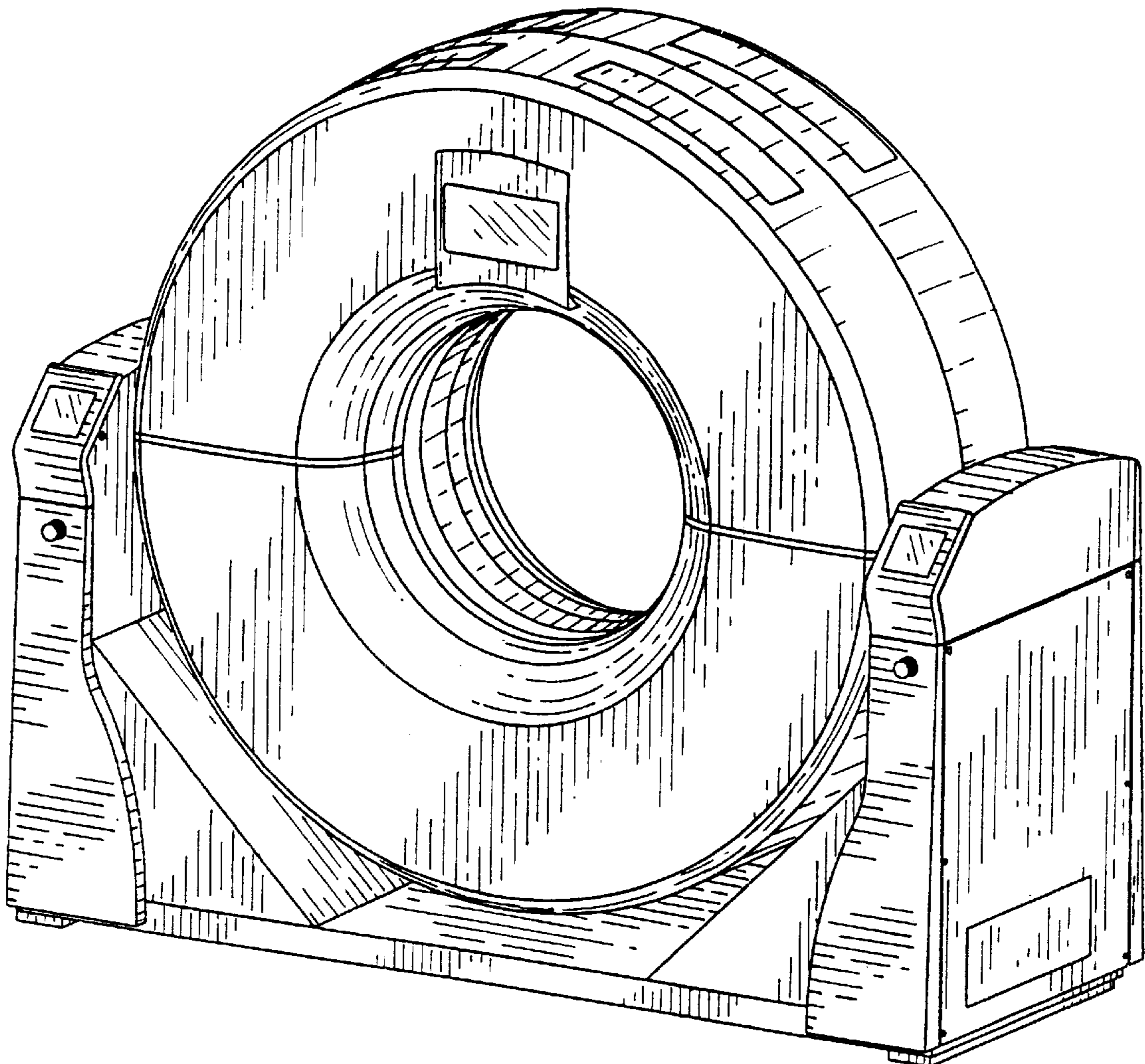
FIG. 1 is a perspective view showing my design;
FIG. 2 is a front elevational view thereof;
FIG. 3 is a rear elevational view thereof;
FIG. 4 is a right side elevational view thereof;
FIG. 5 is a left side elevational view thereof;
FIG. 6 is a top plan view thereof; and,
FIG. 7 is a bottom plan view thereof.

[56] **References Cited**

U.S. PATENT DOCUMENTS

D. 270,182	8/1983	Wagner	D24/159
D. 325,632	4/1992	Kogane et al.	D24/158

1 Claim, 5 Drawing Sheets



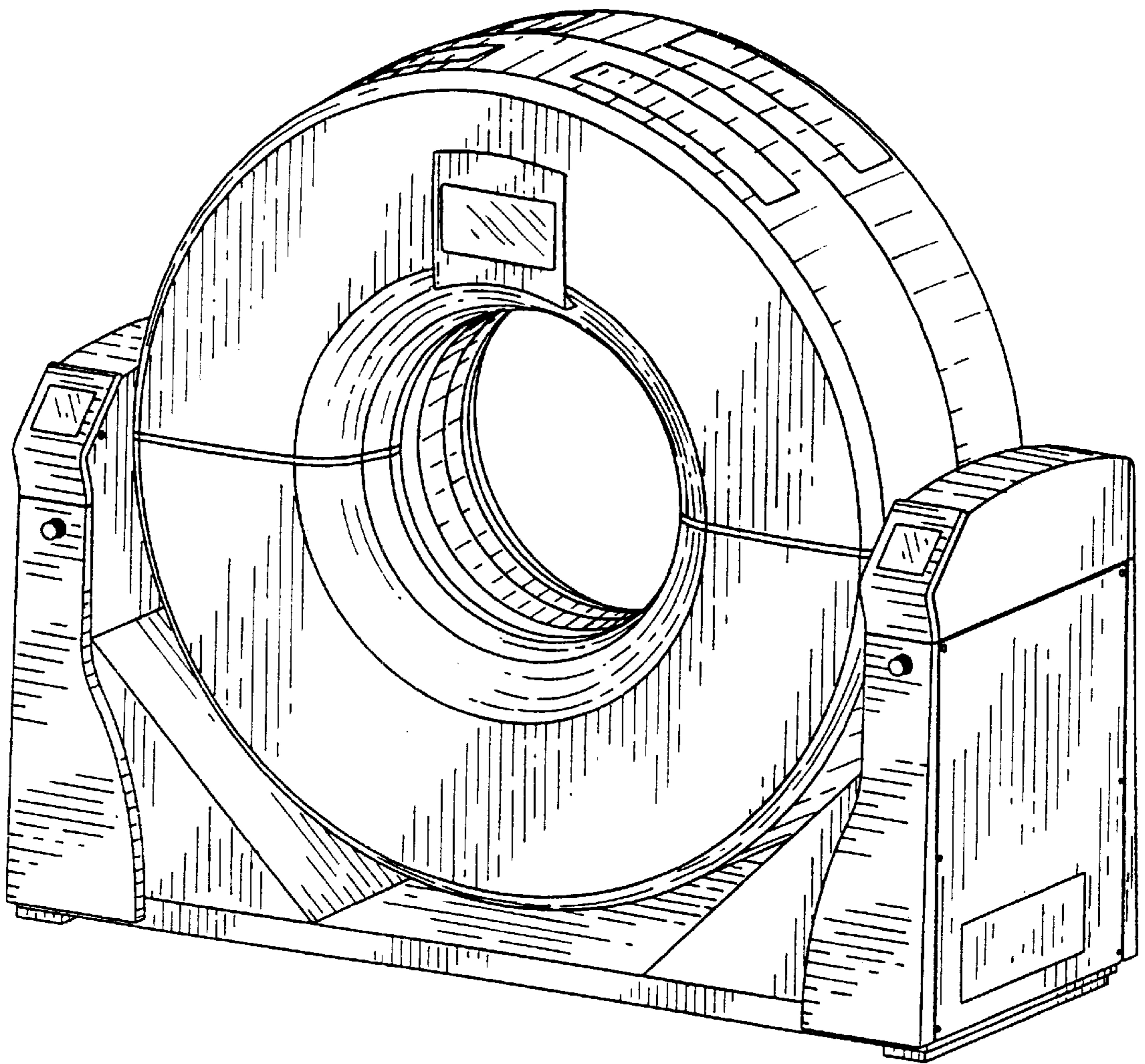


FIG.1

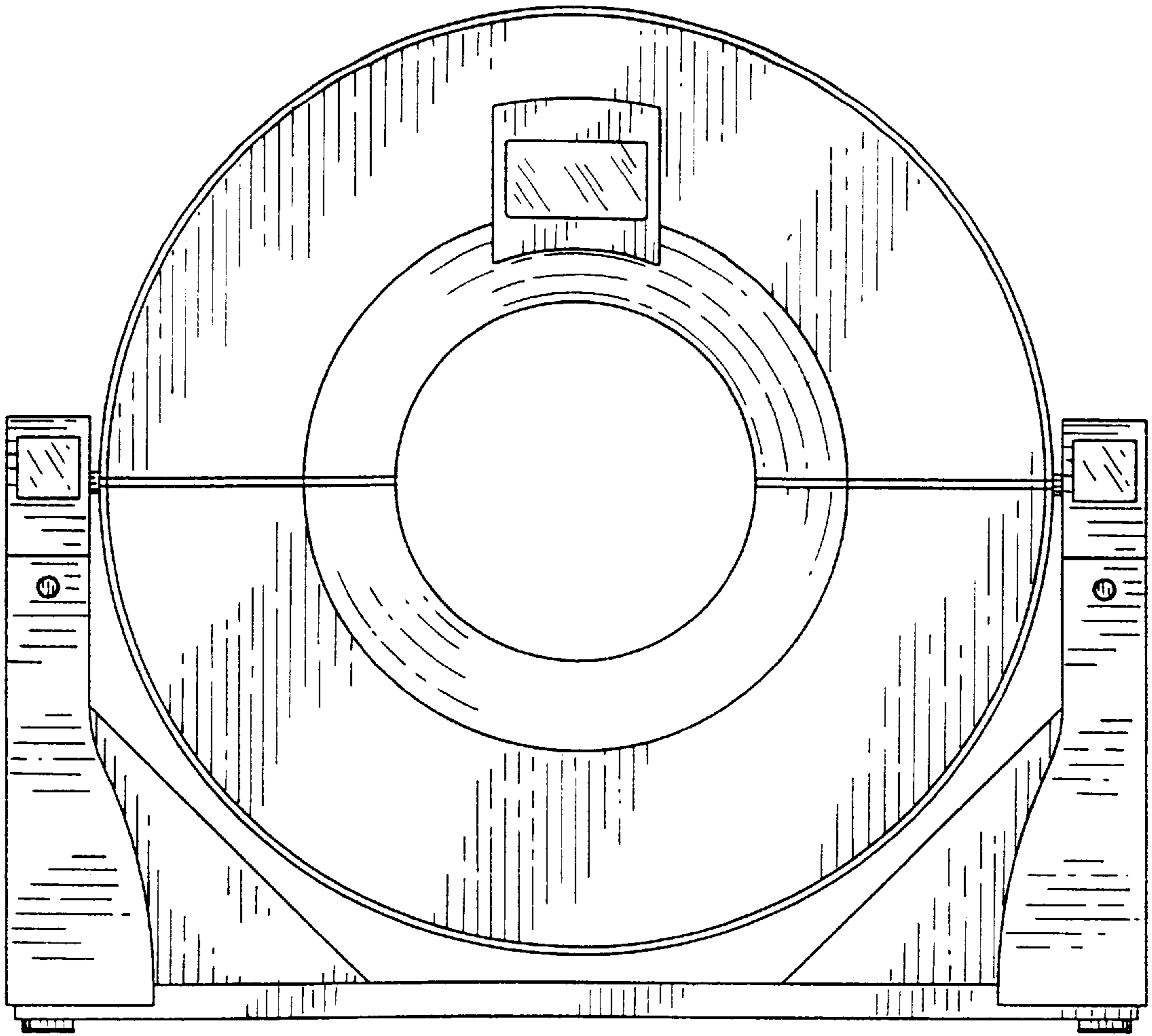


FIG.2

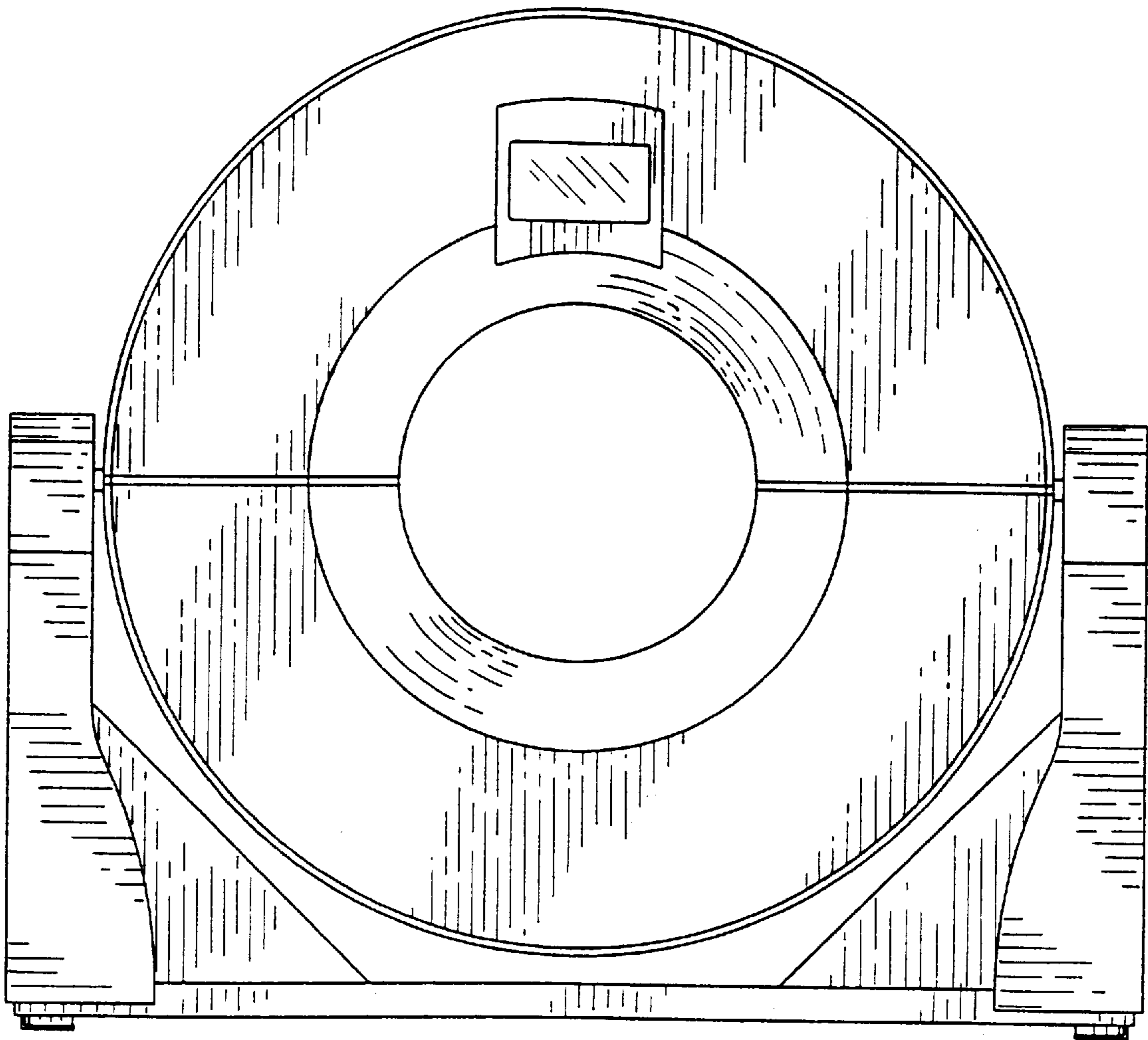


FIG.3

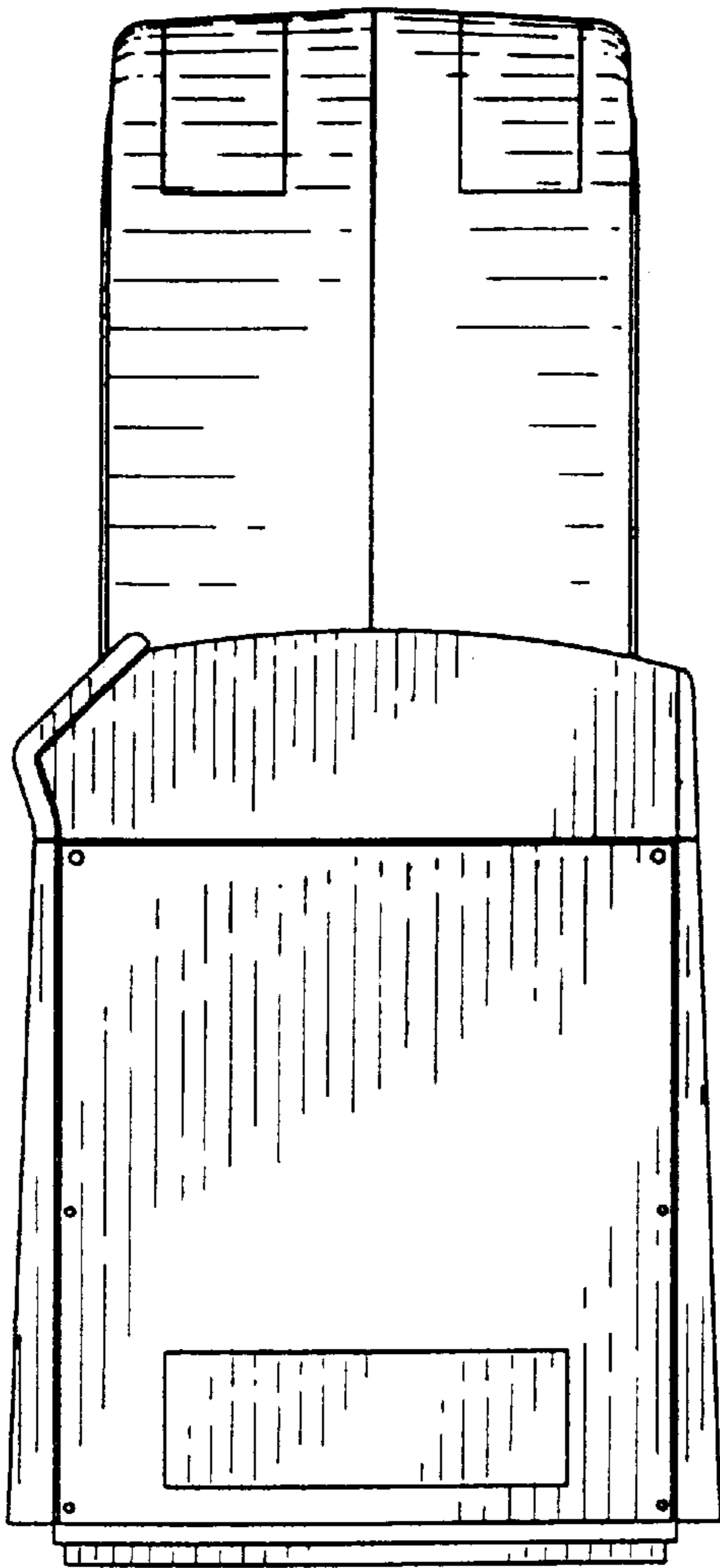


FIG. 4

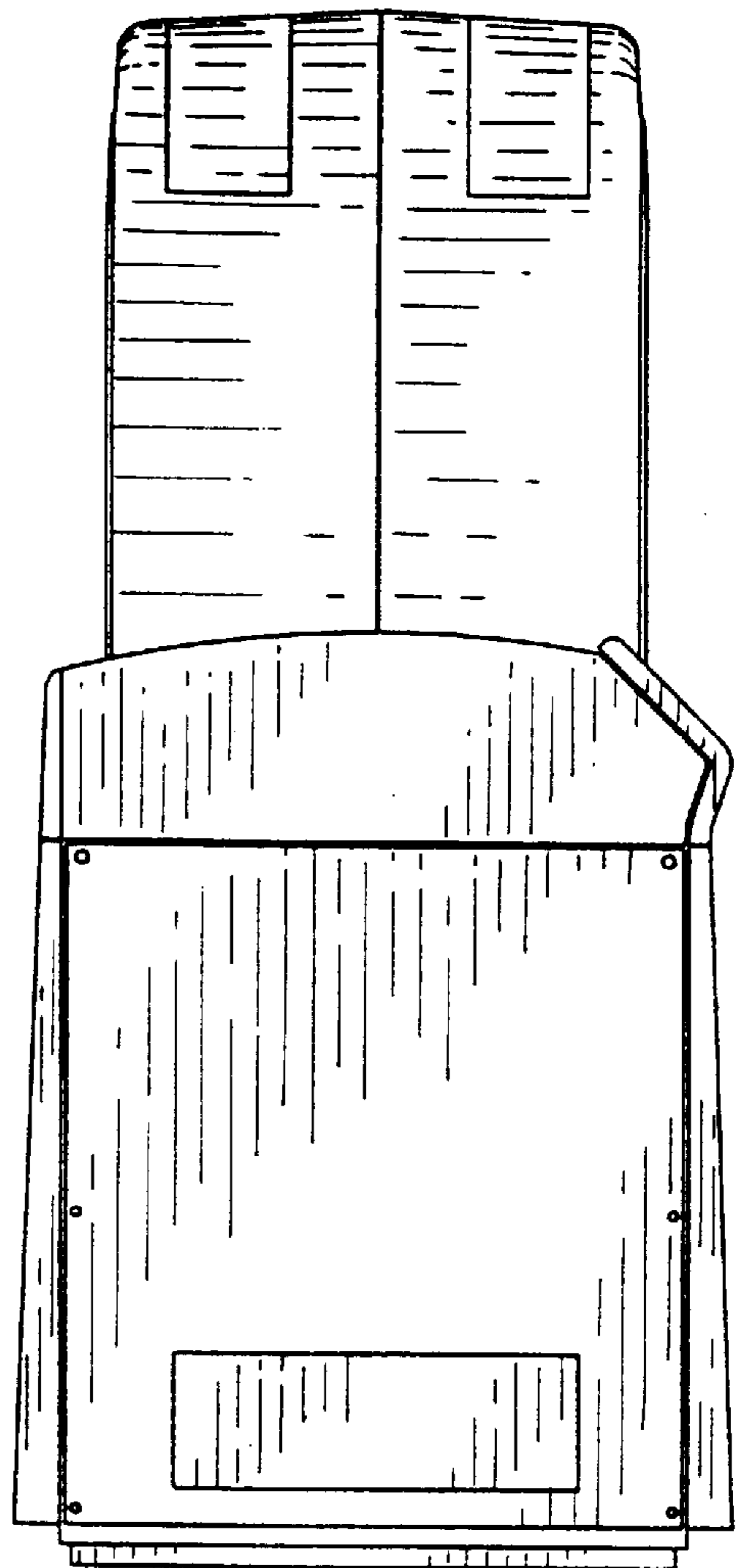


FIG. 5

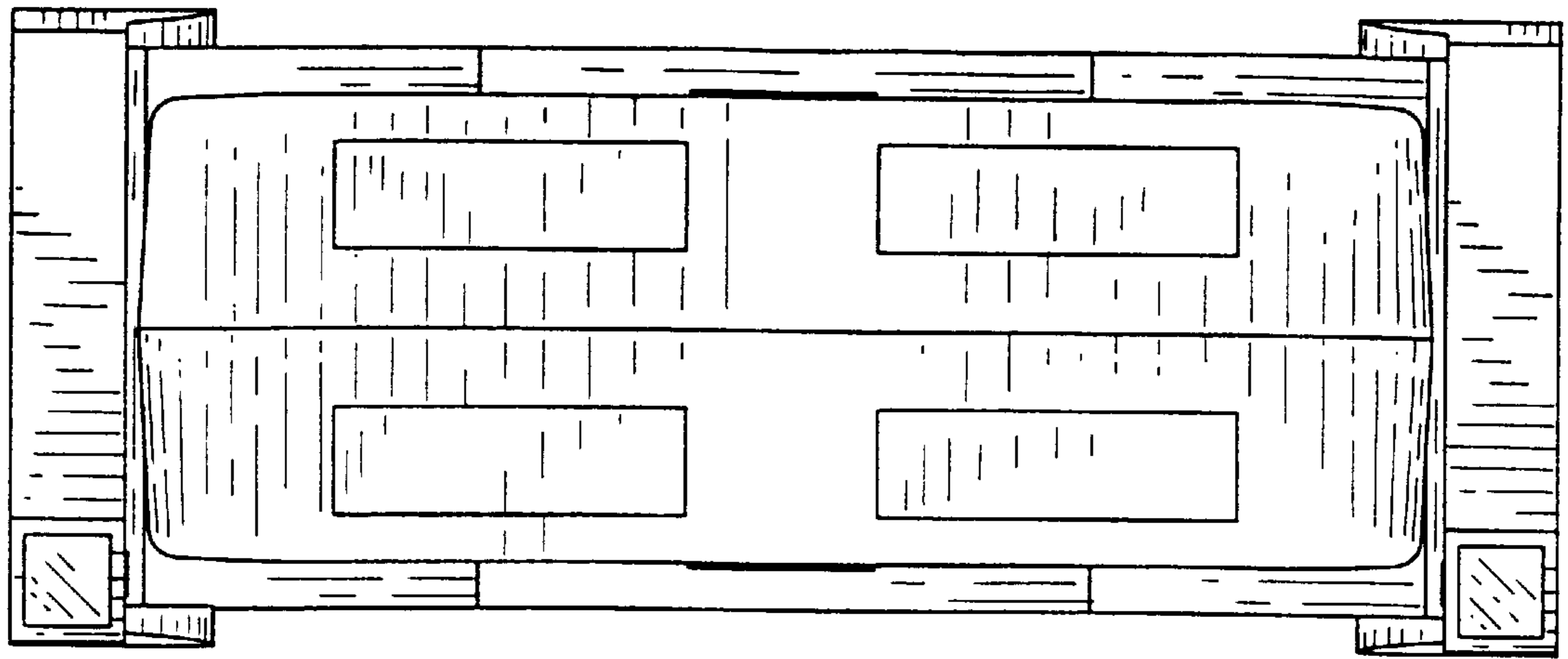


FIG. 6

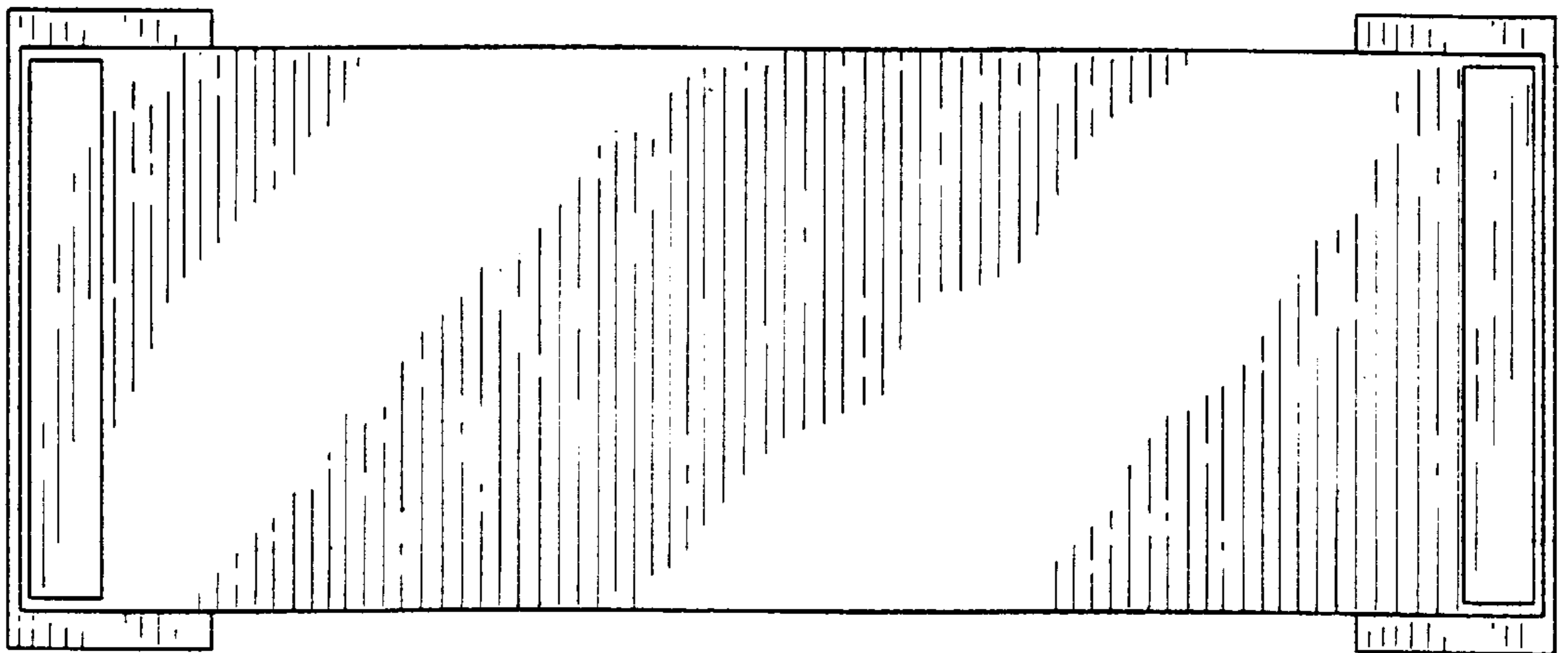


FIG. 7