



US00D414865S

United States Patent [19]

Baust et al.

[11] Patent Number: Des. 414,865

[45] Date of Patent: ** Oct. 5, 1999

[54] HAND HELD CRYOSURGICAL PROBE APPARATUS

[75] Inventors: **John G Baust**, Candor; **John M Baust**, Ithaca, both of N.Y.; **Lawrence Pottorf**, Charlestown; **Roy Cheeks**, Harpers Ferry, both of W. Va.; **Hewu Ma**, Rockville; **Chao-Min Zhang**, Gaithersburg, both of Md.; **Alan F. Rich**, North Reading, Mass.; **Richard J. Reinhart**, Lawrenceville, N.J.

[73] Assignee: **Cryomedical Sciences, Inc.**, Rockville, Md.

[**] Term: **14 Years**

[21] Appl. No.: **29/065,234**

[22] Filed: **Jan. 27, 1997**

[51] LOC (6) Cl. **24-02**

[52] U.S. Cl. **D24/133**

[58] Field of Search D24/133, 144, D24/138, 146; 600/101, 138, 153, 156, 310; 604/27, 36, 19, 181, 185, 223, 231, 232, 235, 902; 606/20-25

[56] References Cited

U.S. PATENT DOCUMENTS

D. 224,898	10/1972	Wallach et al.	D24/133
D. 353,886	12/1994	Bales et al.	D24/108
4,594,073	6/1986	Stine	604/232
4,861,339	8/1989	Jonischkeit	604/232

Primary Examiner—Pamela Burgess
Attorney, Agent, or Firm—Sherman and Shalloway

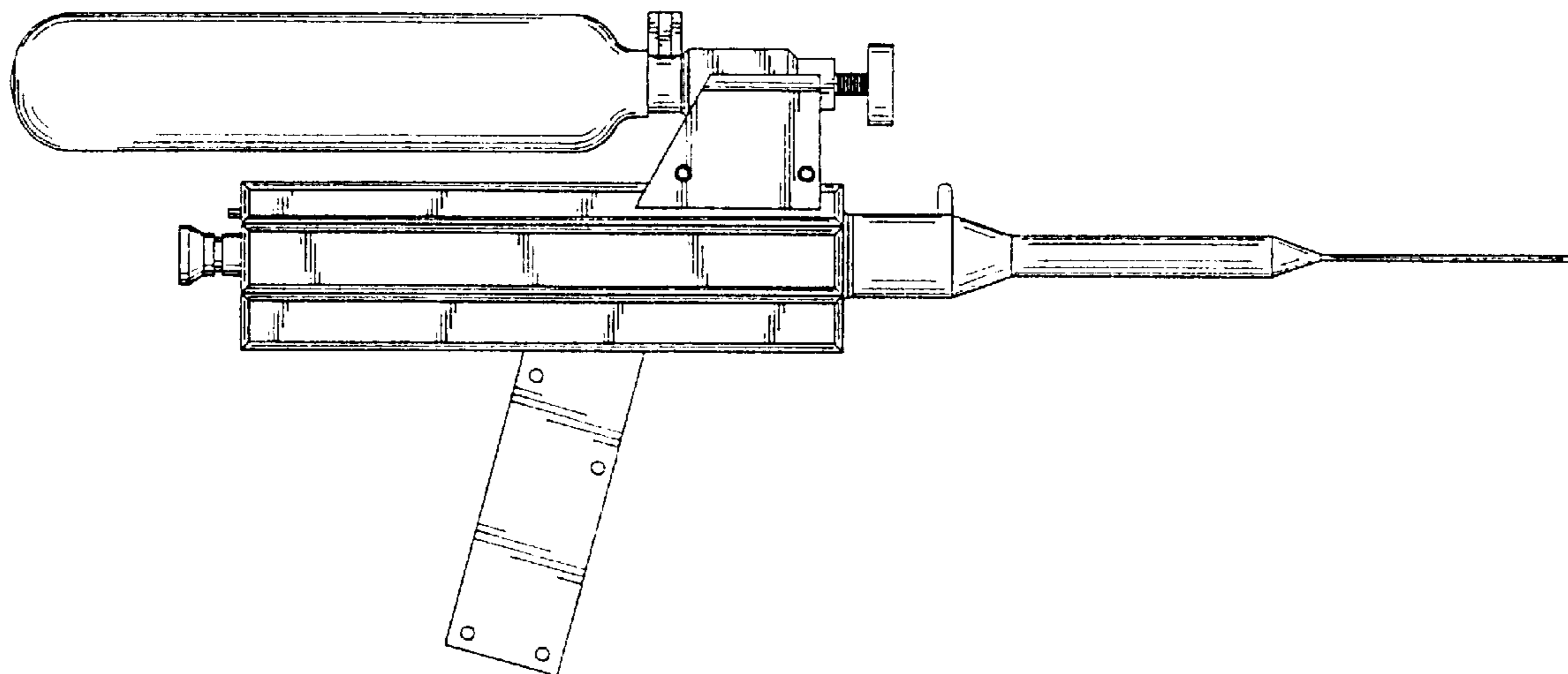
[57] CLAIM

The ornamental design for a hand-held cryosurgical probe apparatus, as shown and described.

DESCRIPTION

FIG. 1 is a right side elevational view of a hand-held cryosurgical probe apparatus showing our new design; FIG. 2 is a left side elevational view thereof; FIG. 3 is a top plan view thereof; FIG. 4 is a bottom plan view thereof; FIG. 5 is a front elevational view thereof; and, FIG. 6 is a rear elevational view thereof.

1 Claim, 2 Drawing Sheets



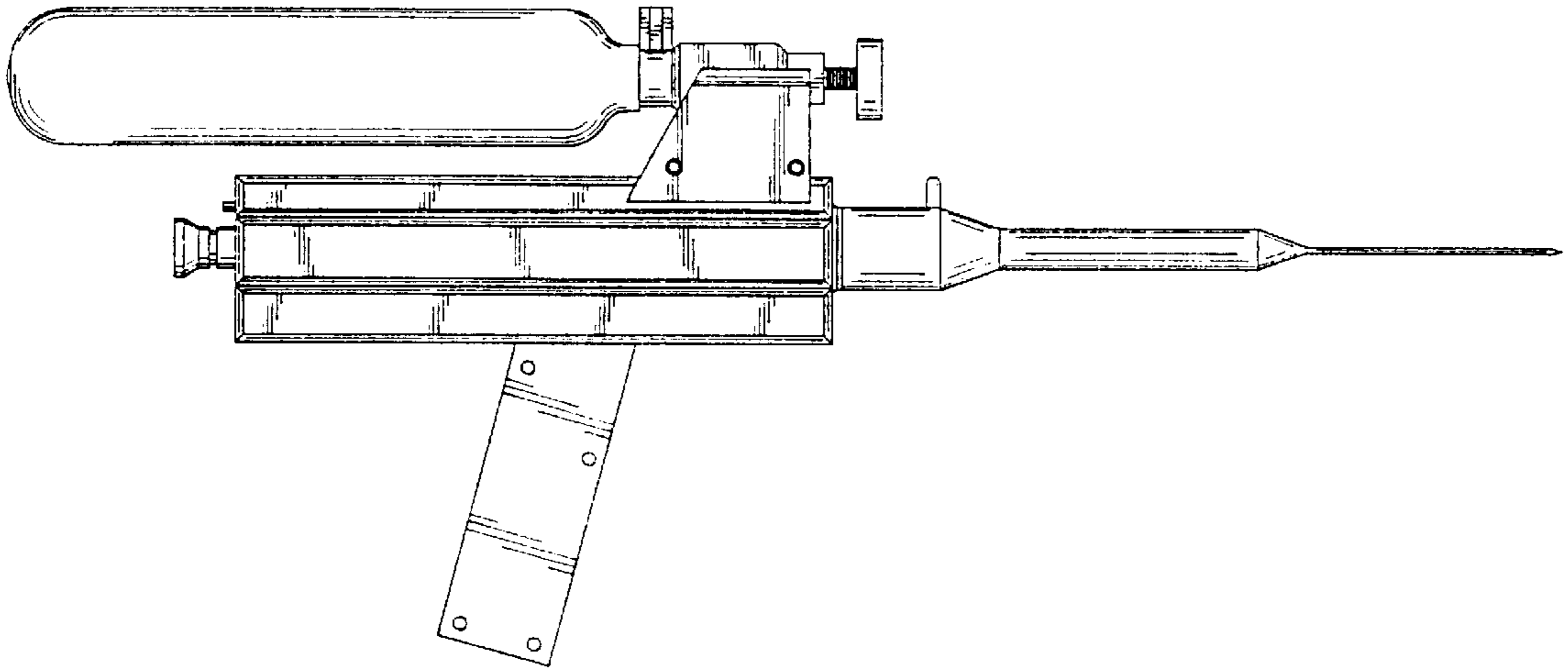


FIG. 1

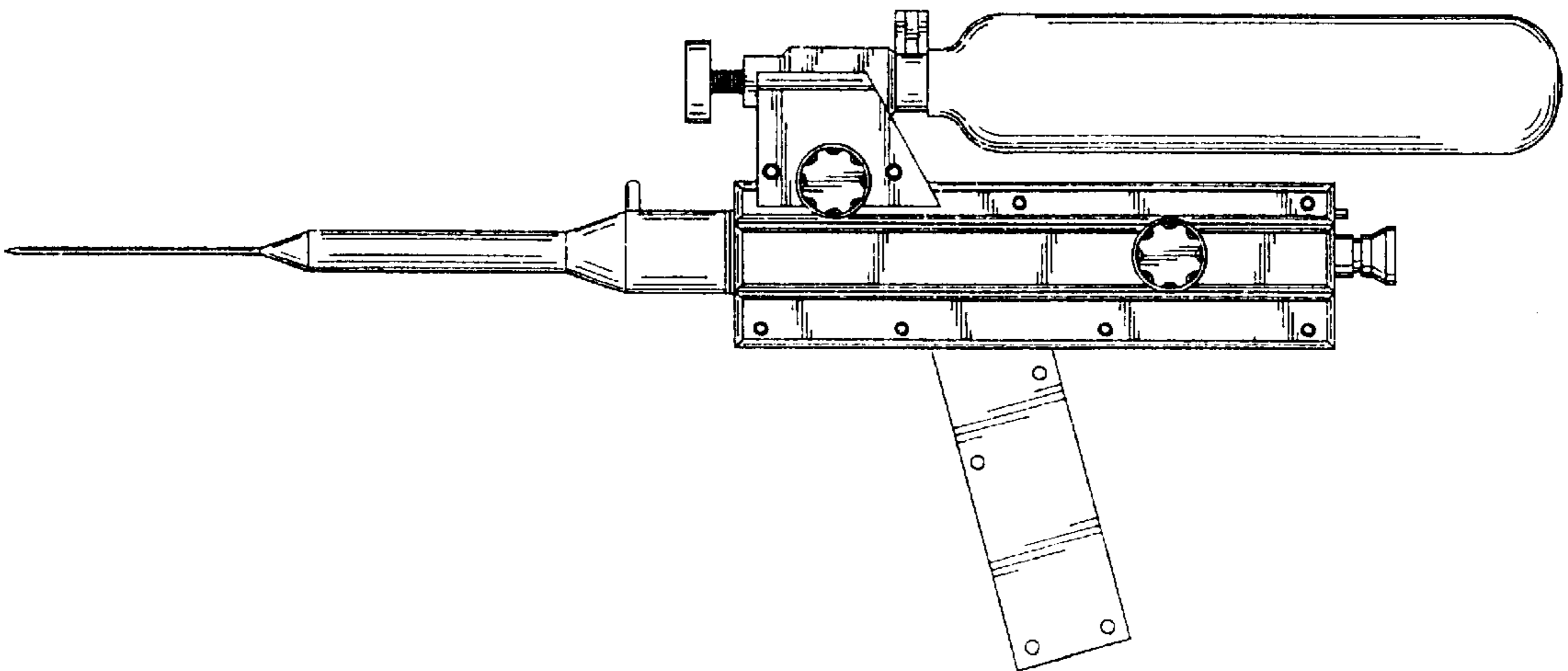


FIG. 2

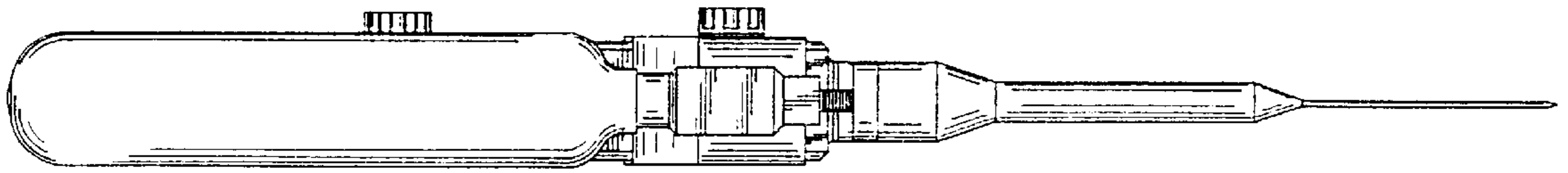


FIG. 3

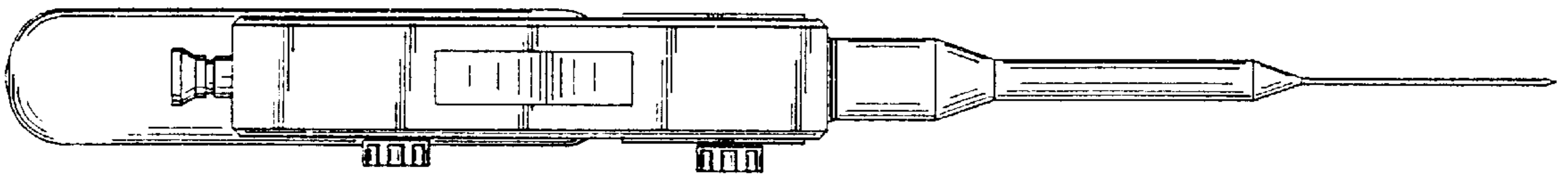


FIG. 4

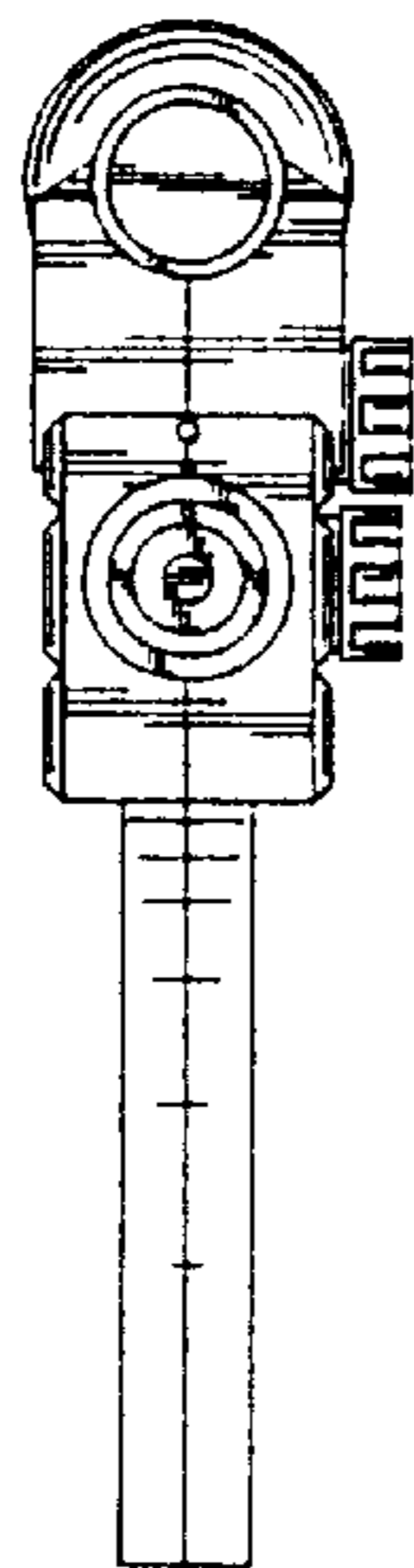


FIG. 5

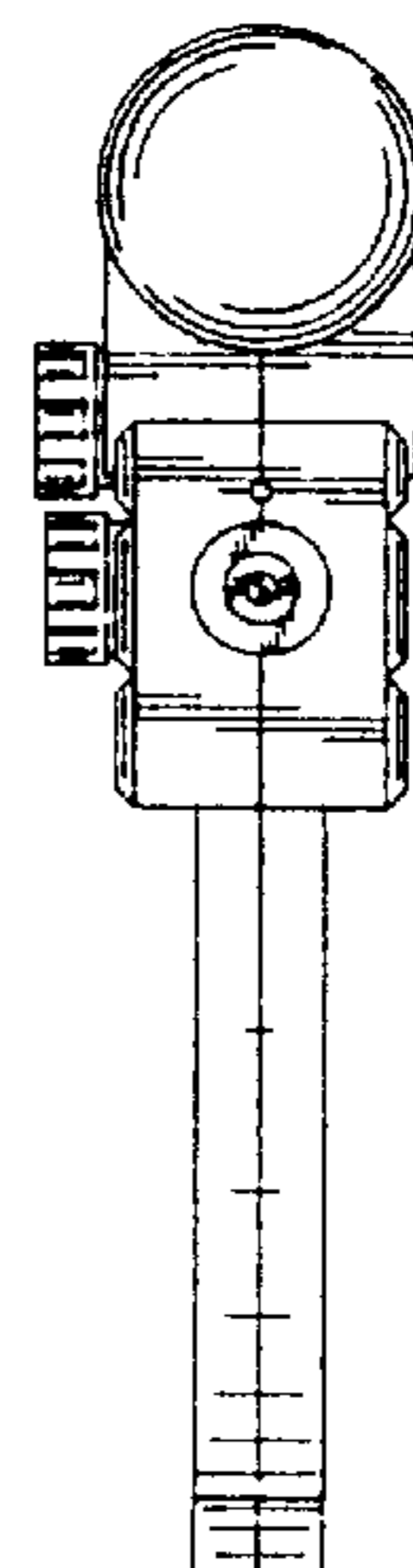


FIG. 6