



US00D414861S

United States Patent [19]
Metzger

[11] **Patent Number: Des. 414,861**
[45] **Date of Patent: ** Oct. 5, 1999**

[54] **PROTECTIVE COVER FOR RESPIRATOR FILTER**

5,036,844 8/1991 Pouchot et al. 128/206.17
5,353,789 10/1994 Schlobohm 128/206.24
5,535,736 7/1996 Jzaw 128/202.26

[76] Inventor: **Karl Metzger**, 12800 W. 88th Cir.
#118, Lenexa, Kans. 66215

Primary Examiner—Stella Reid
Attorney, Agent, or Firm—William B. Kircher; Shook,
Hardy & Bacon

[**] Term: **14 Years**

[21] Appl. No.: **29/093,045**

[57] **CLAIM**

[22] Filed: **Sep. 2, 1998**

The ornamental design for a protective cover for respirator filter, as shown and described.

[51] **LOC (6) Cl.** **24-04**

DESCRIPTION

[52] **U.S. Cl.** **D24/110**

[58] **Field of Search** D24/162, 110,
D24/110.1; 128/206.17, 206.15, 205.29

FIG. 1 is a perspective view of the protective cover for respirator filter embodying the design;
FIG. 2 is a top plan view thereof;
FIG. 3 is a side elevational view thereof; and,
FIG. 4 is a bottom plan view thereof.

[56] **References Cited**

U.S. PATENT DOCUMENTS

5,033,507 7/1991 Pouchot 137/550

1 Claim, 2 Drawing Sheets

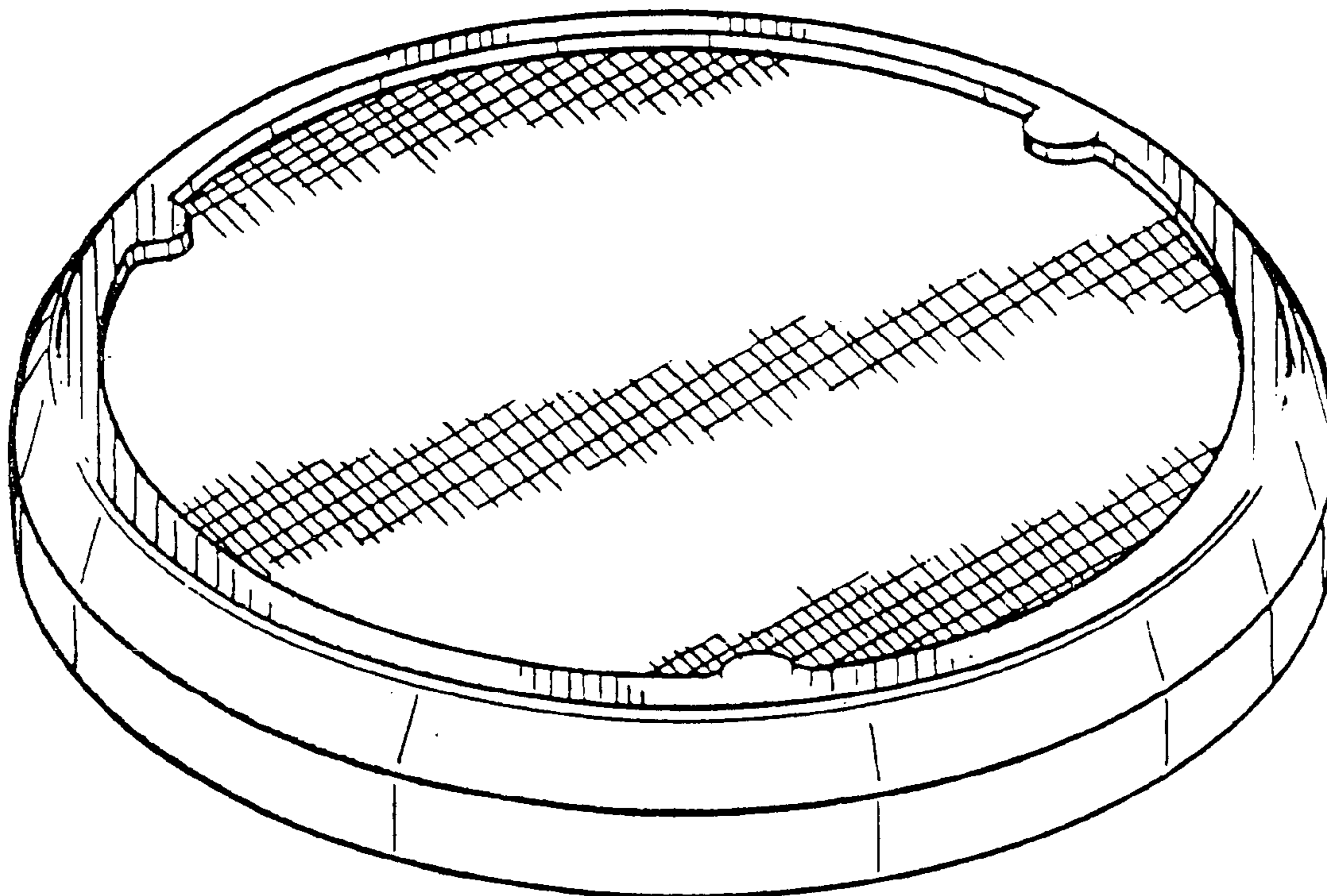


FIG. 1

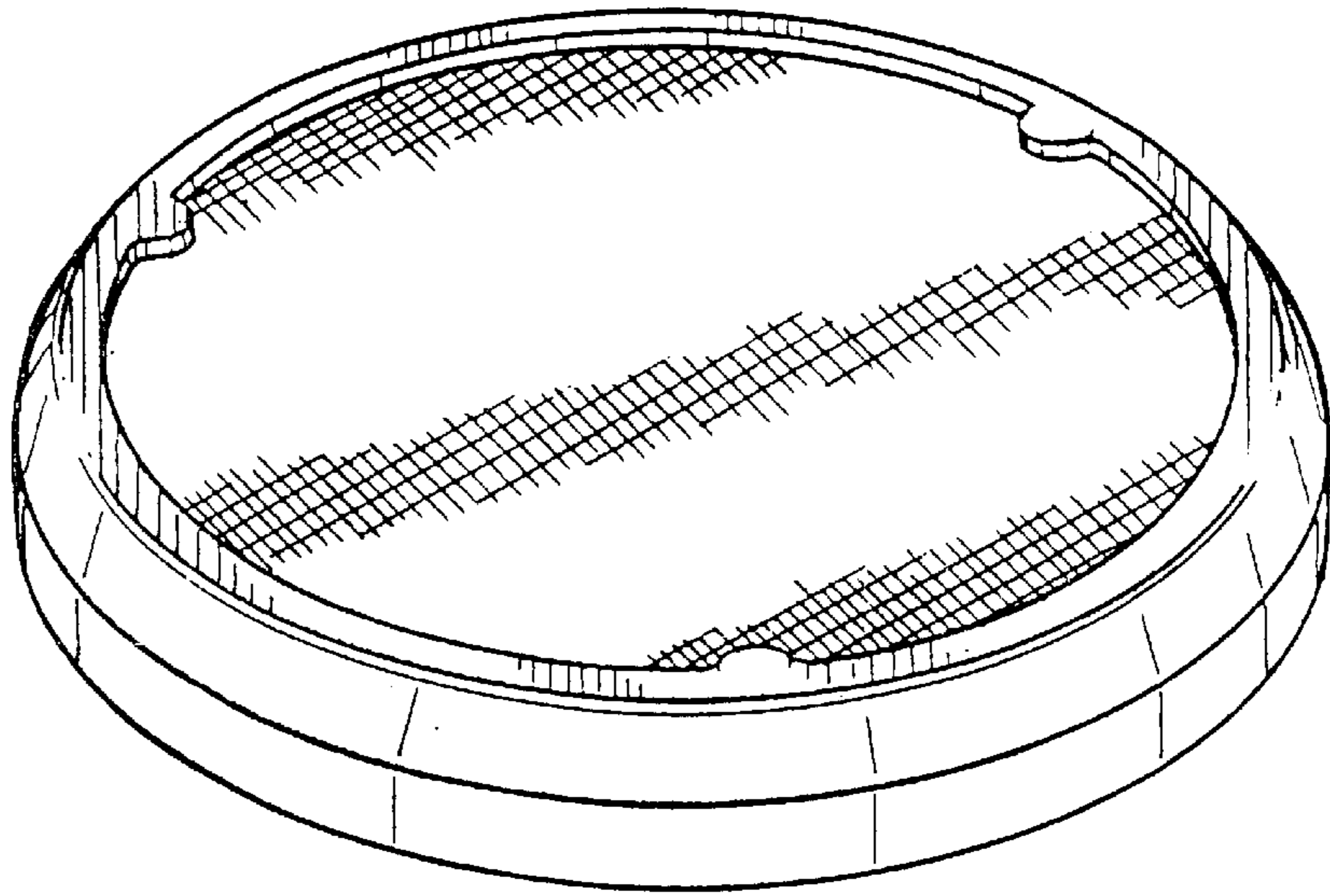


FIG. 4

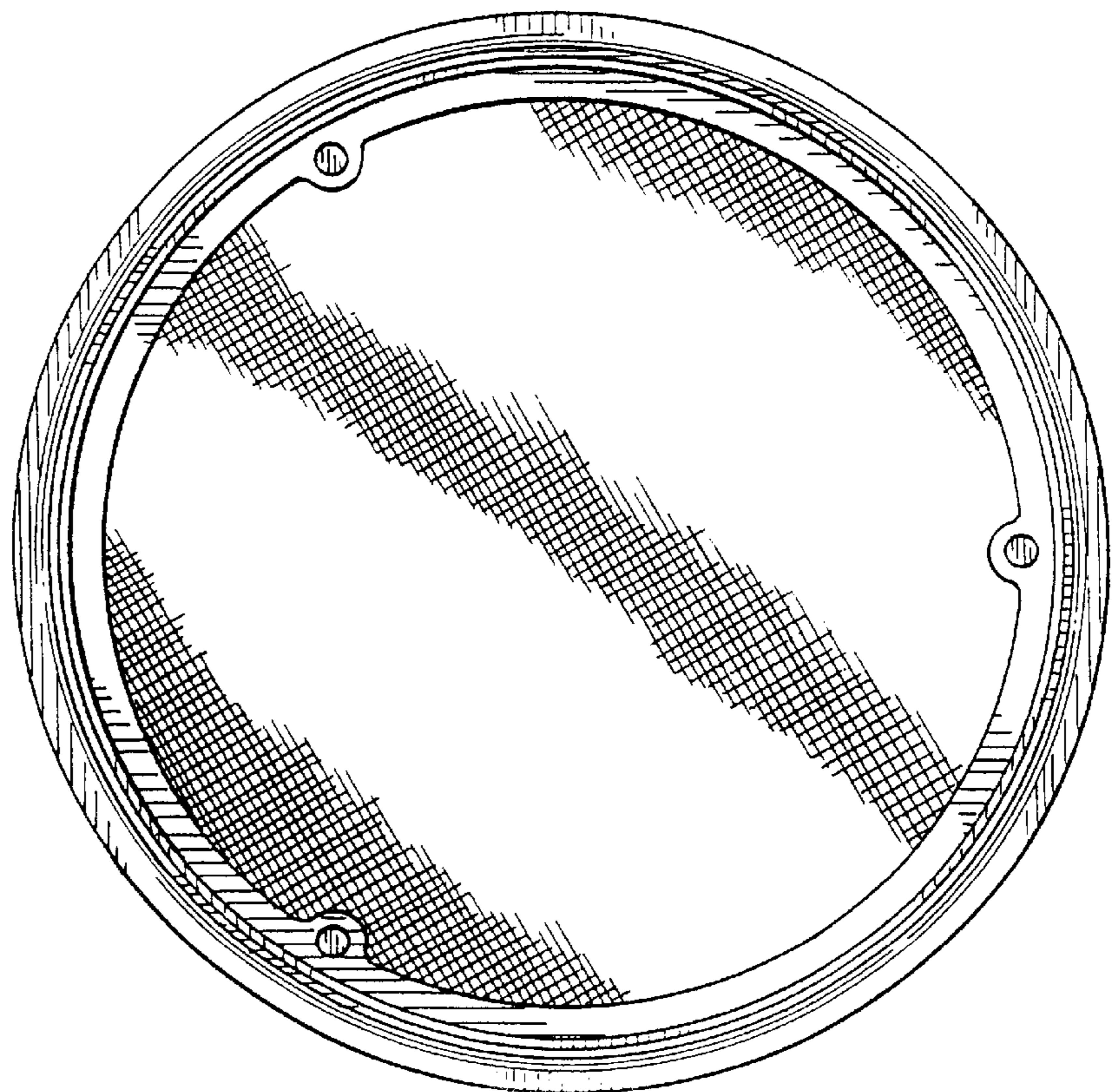


FIG. 3

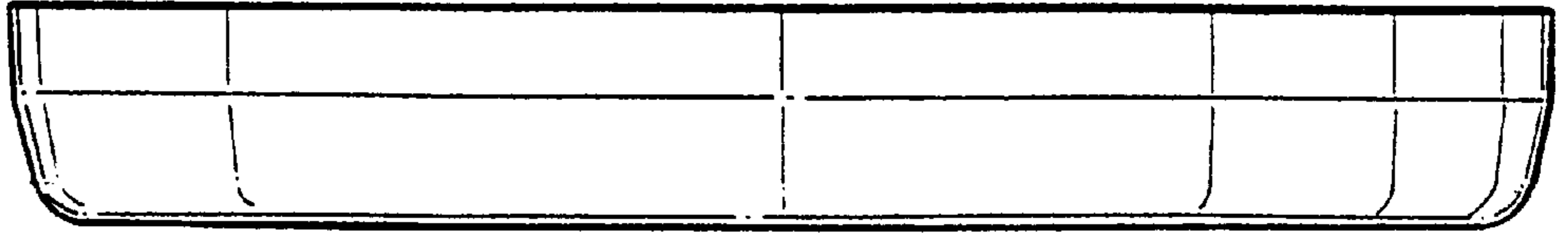


FIG. 2

