



US00D414860S

United States Patent [19]

Thomas, Jr.

[11] Patent Number: Des. 414,860

[45] Date of Patent: ** Oct. 5, 1999

[54] **COMBINED CANOPY, DOWNROD, MOTOR HOUSING, BLADE MEDALLIONS AND LIGHT FIXTURE UNIT FOR A CEILING FAN**

[75] Inventor: James C. Thomas, Jr., Memphis, Tenn.

[73] Assignee: Hunter Fan Company, Memphis, Tenn.

[**] Term: 14 Years

[21] Appl. No.: 29/096,015

[22] Filed: Nov. 3, 1998

[51] LOC (6) Cl. 23-04

[52] U.S. Cl. D23/411; D23/377; D26/59

[58] Field of Search D23/377, 379, D23/385, 411; 416/5; D26/81-86, 88, 51, 59, 72; 392/364; 362/96

[56] References Cited

U.S. PATENT DOCUMENTS

D. 387,149 12/1997 Tsuji D23/377

OTHER PUBLICATIONS

Casablanca Fan Company Brochure, author unknown, 1998, front and rear cover pages and p. 2.

Primary Examiner—Lisa Lichtenstein
Attorney, Agent, or Firm—Garrison, Morris & Haight, PLLC

[57] CLAIM

The ornamental design for a combined canopy, downrod, motor housing, blade medallions and light fixture unit for a ceiling fan, as shown and described.

DESCRIPTION

FIG. 1 is a perspective view of a combined canopy, downrod, motor housing, blade medallions and light fixture unit for a ceiling fan showing a first embodiment of my new design;

FIG. 2 is a perspective view of the design shown in FIG. 1 with a portion of the environmental structure removed therefrom;

FIG. 3 is a front view of FIG. 2;

FIG. 4 is a right-side view of FIG. 2;

FIG. 5 is a rear view of FIG. 2;

FIG. 6 is a left-side view of FIG. 2;

FIG. 7 is a top view of FIG. 2;

FIG. 8 is a bottom view of FIG. 2;

FIG. 9 is a perspective view of a combined canopy, downrod, motor housing, blade medallions and light fixture unit for a ceiling fan showing a second embodiment of my new design;

FIG. 10 is a front view of FIG. 9;

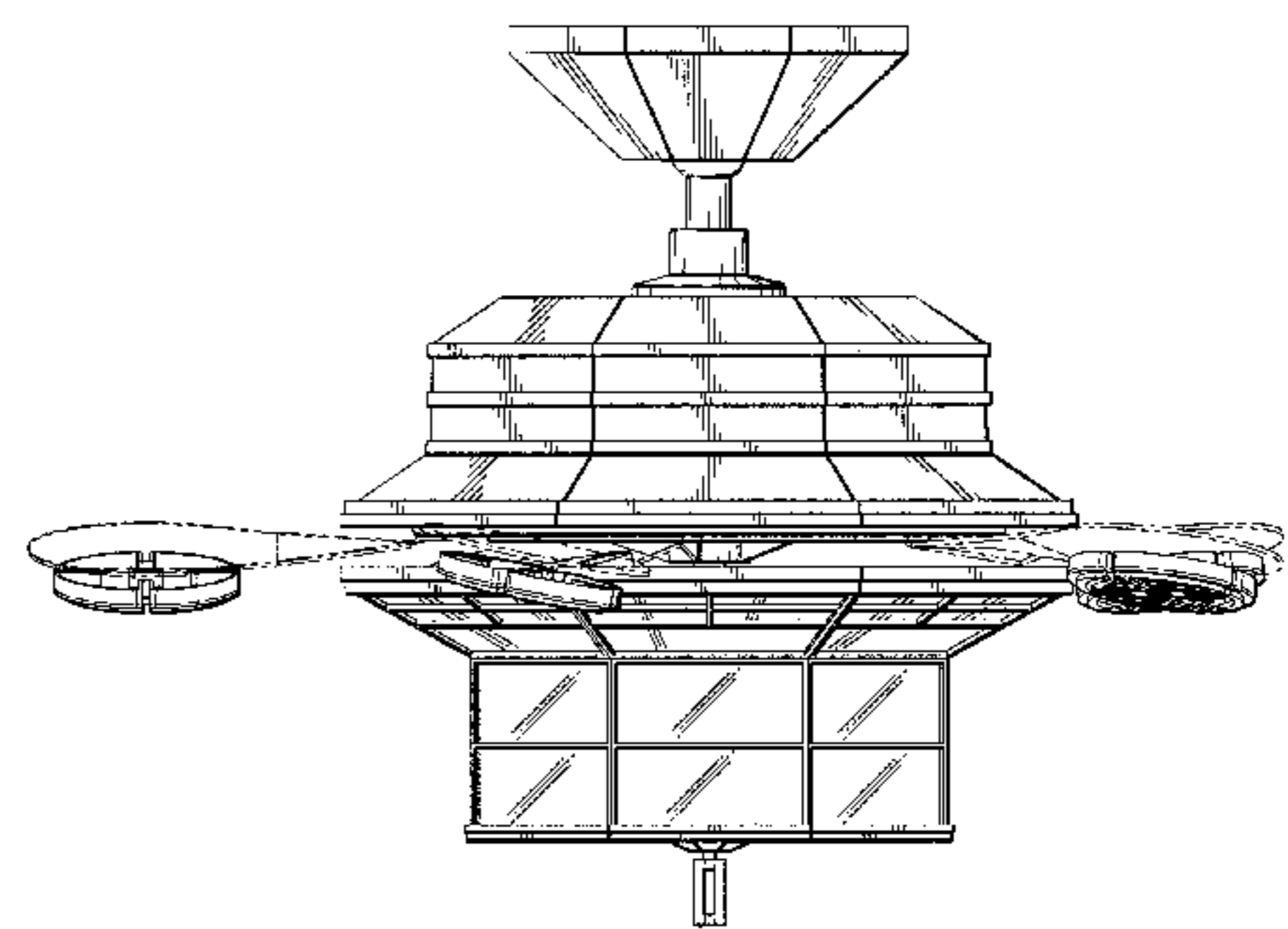
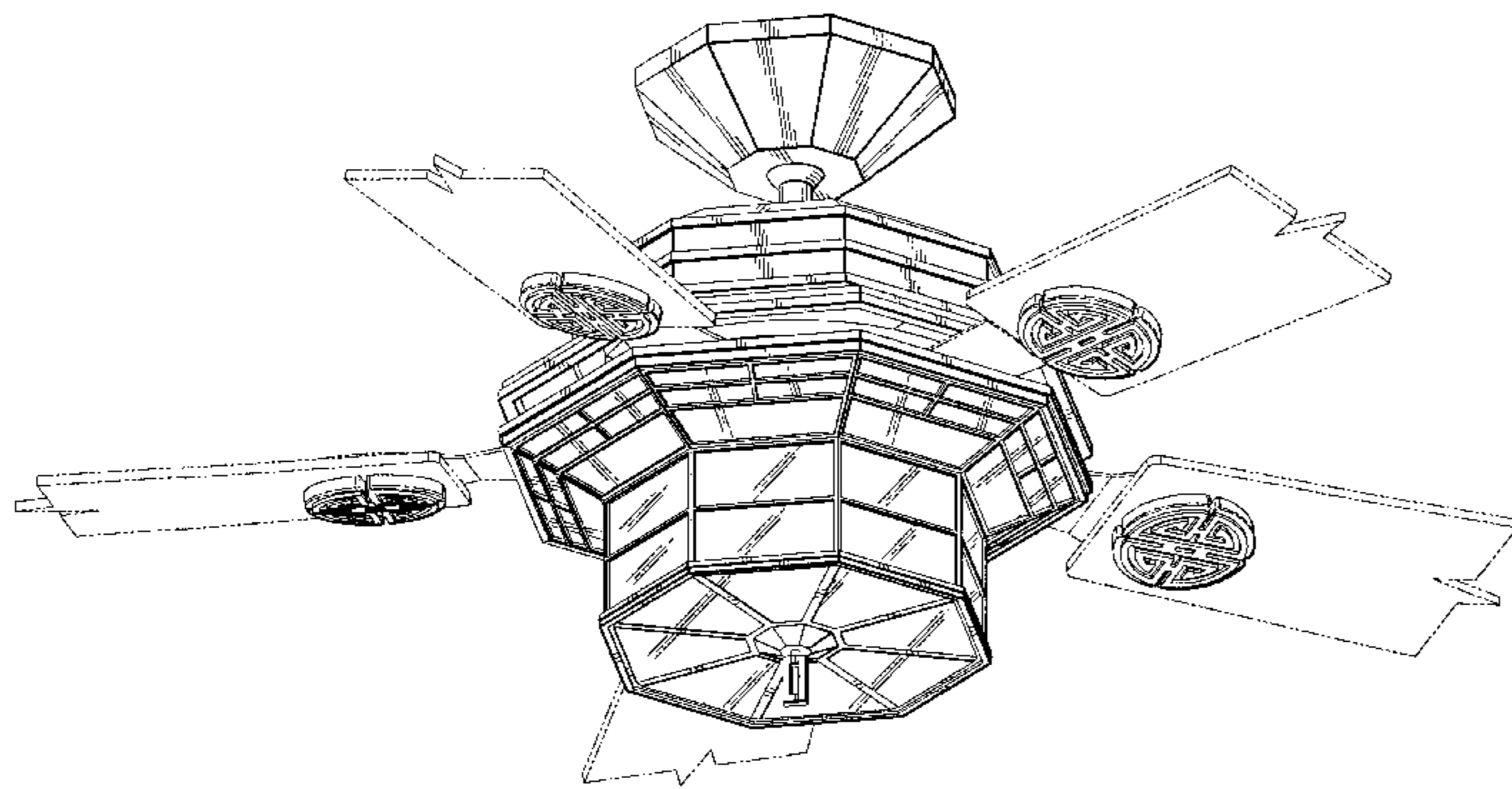
FIG. 11 is a right-side view of FIG. 9;

FIG. 12 is a rear view of FIG. 9; and,

FIG. 13 is a left-side view of FIG. 9, with the top and bottom views of FIG. 9 being identical to FIGS. 7 and 8, respectively.

The broken line showing of environmental structure shown in FIGS. 1-13 is for illustrative purposes only and forms no part of the claimed design.

1 Claim, 13 Drawing Sheets



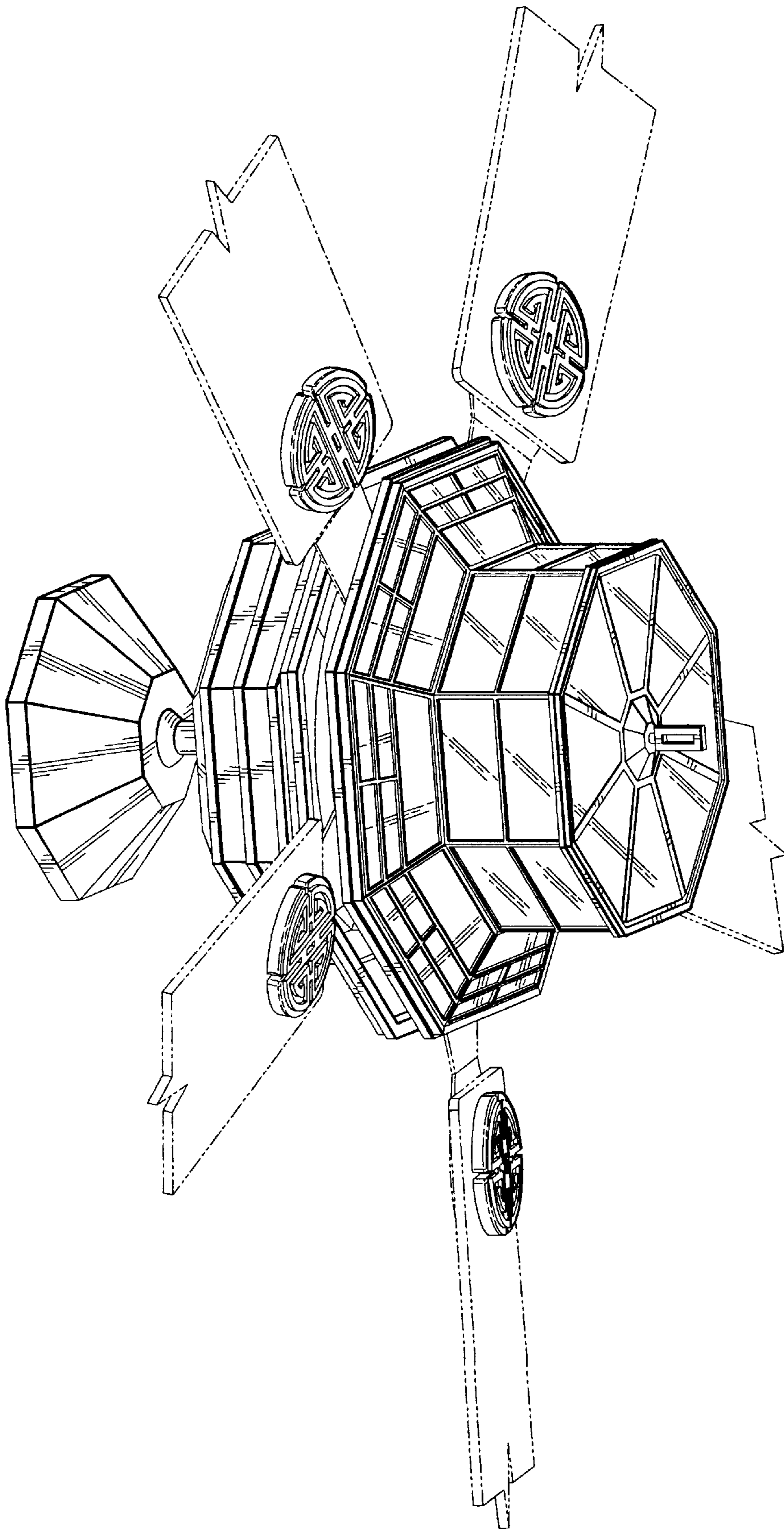


FIG 1

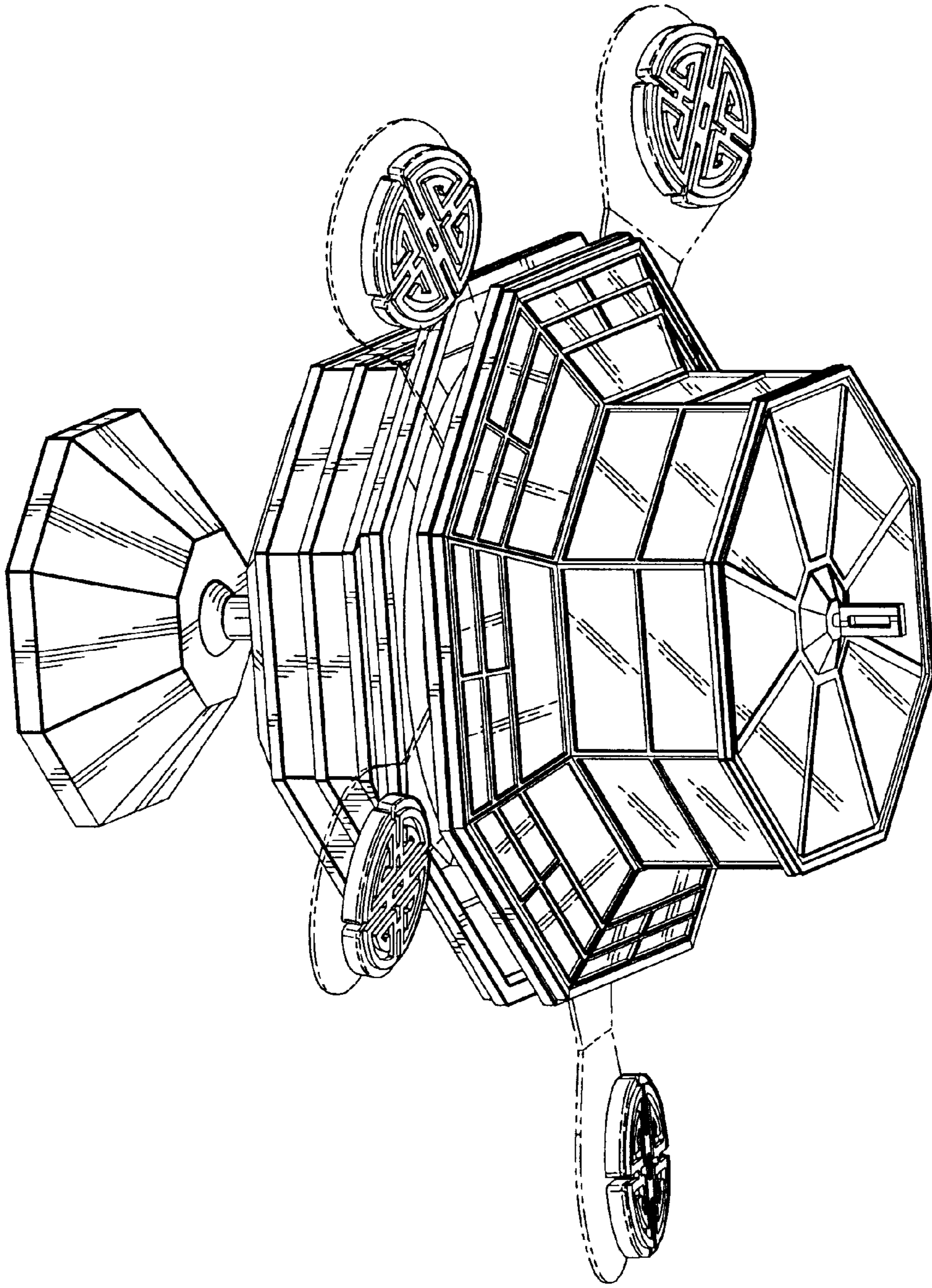


FIG 2

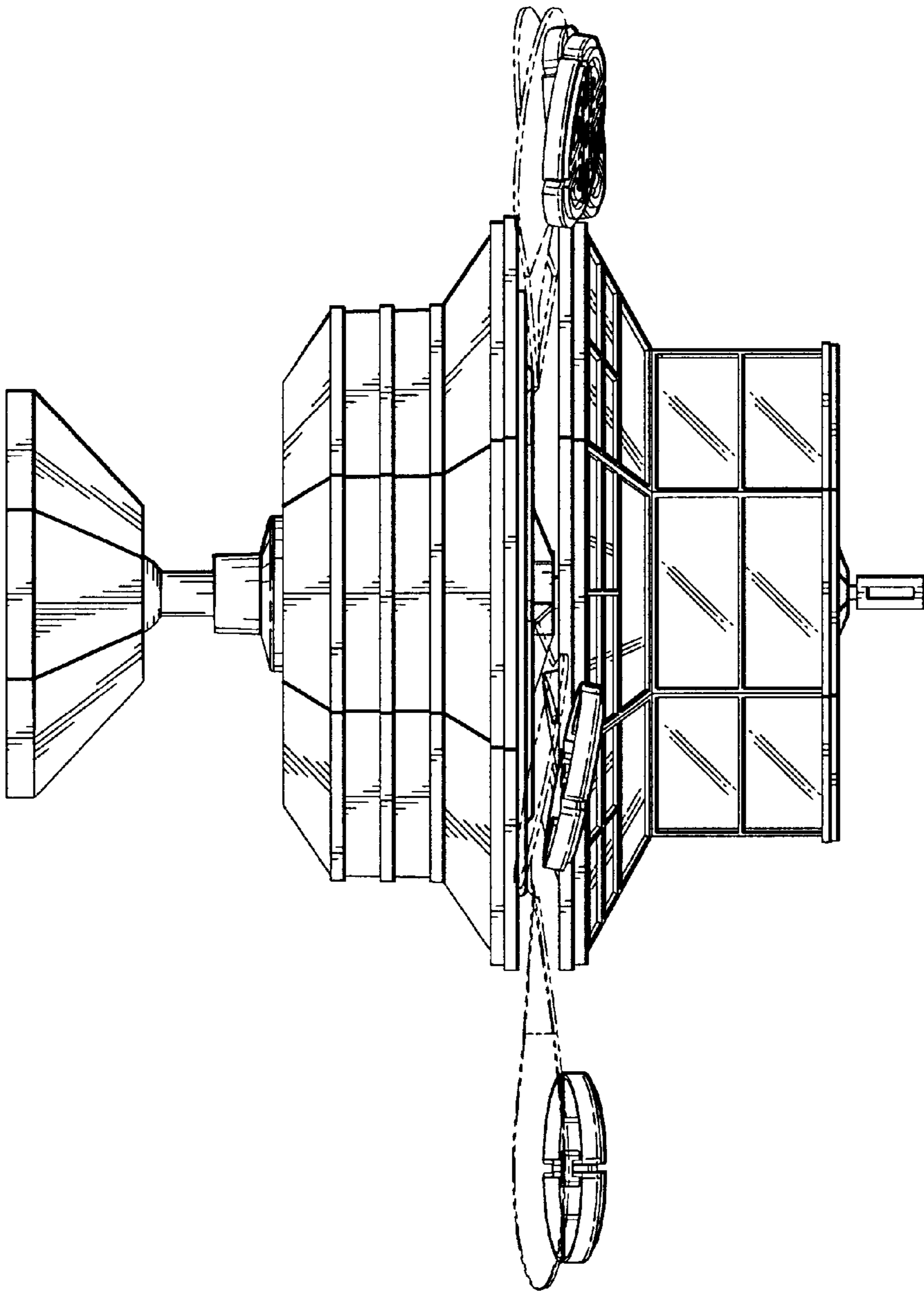


FIG 3

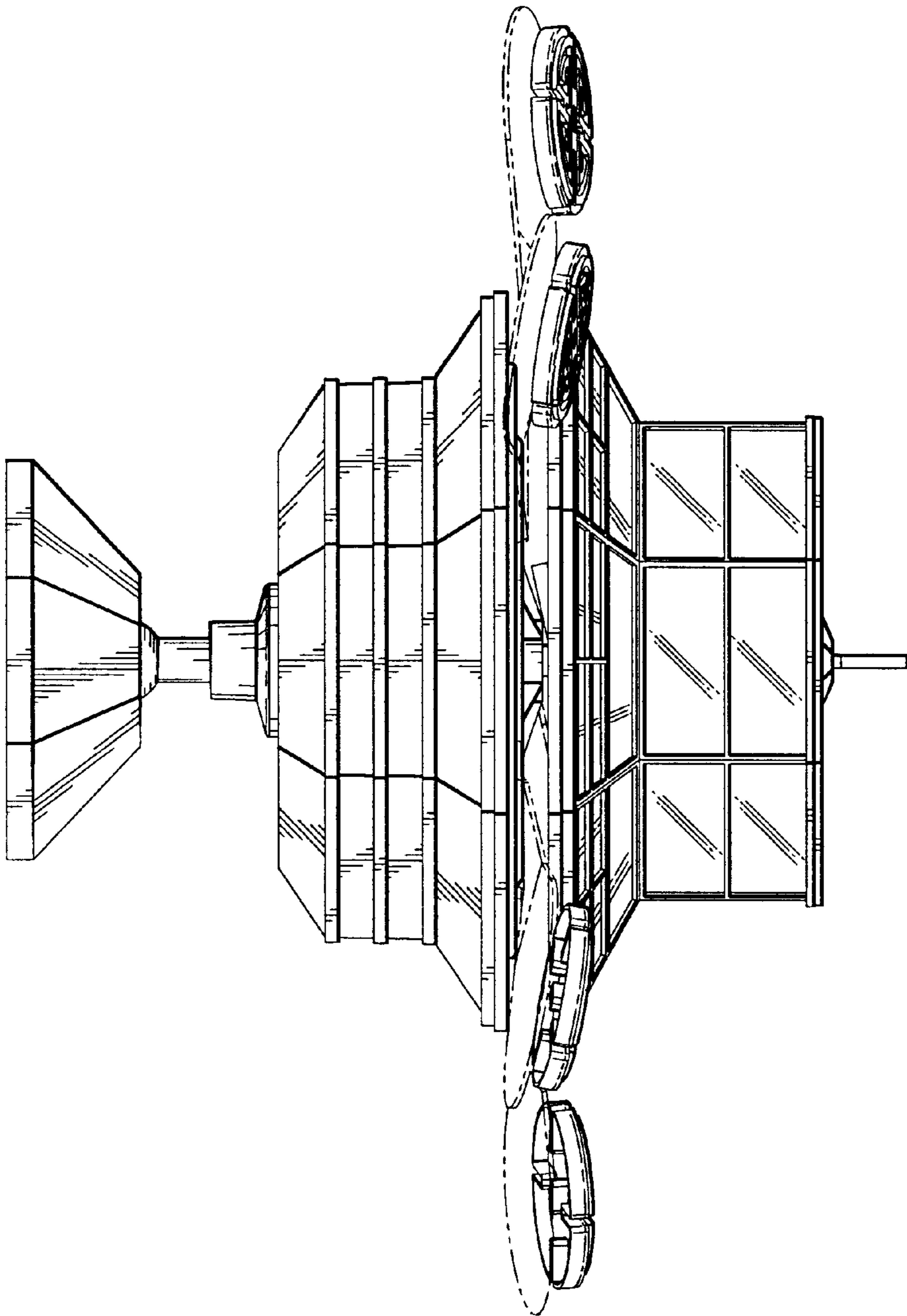


FIG 4

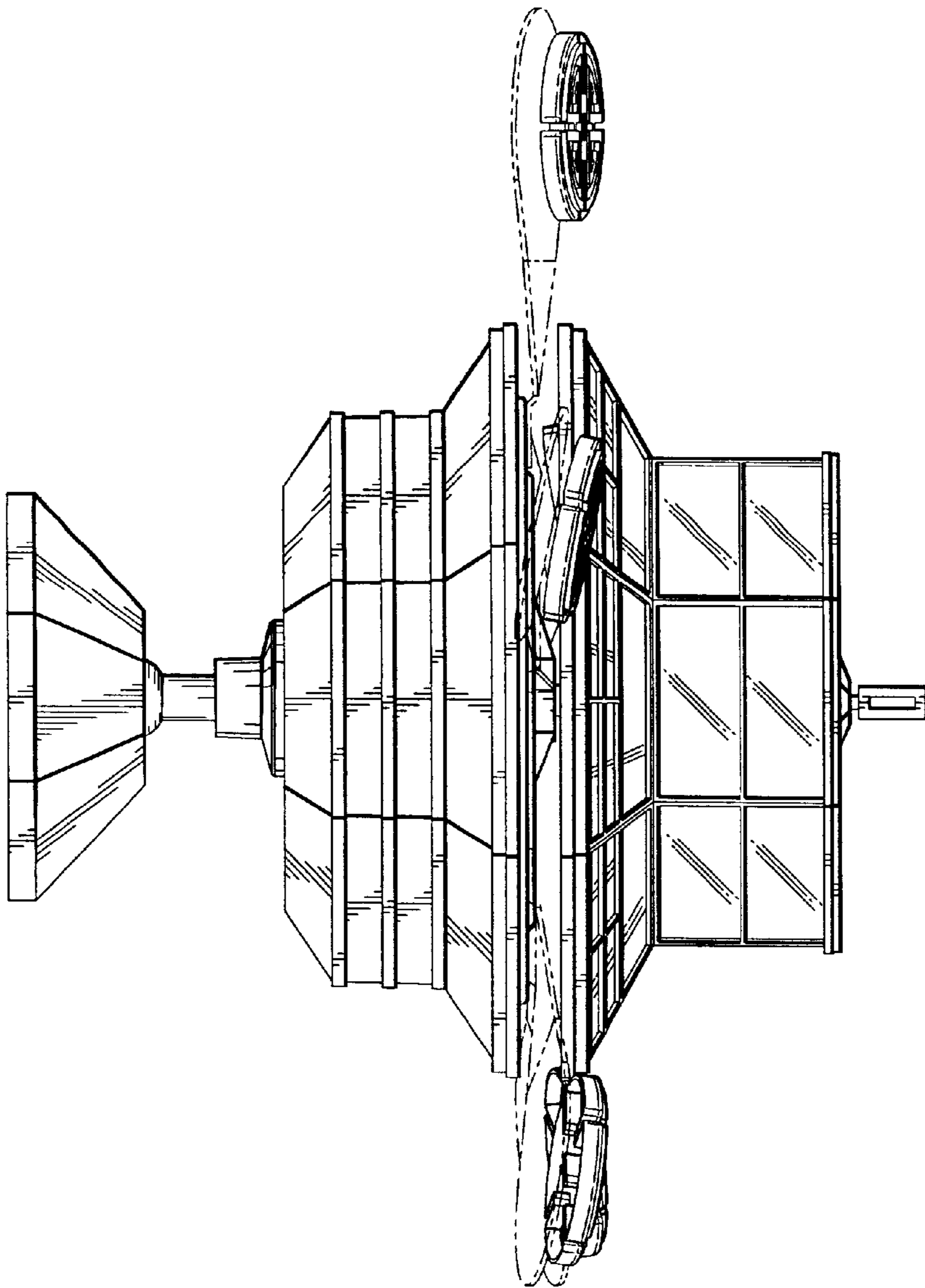


FIG 5

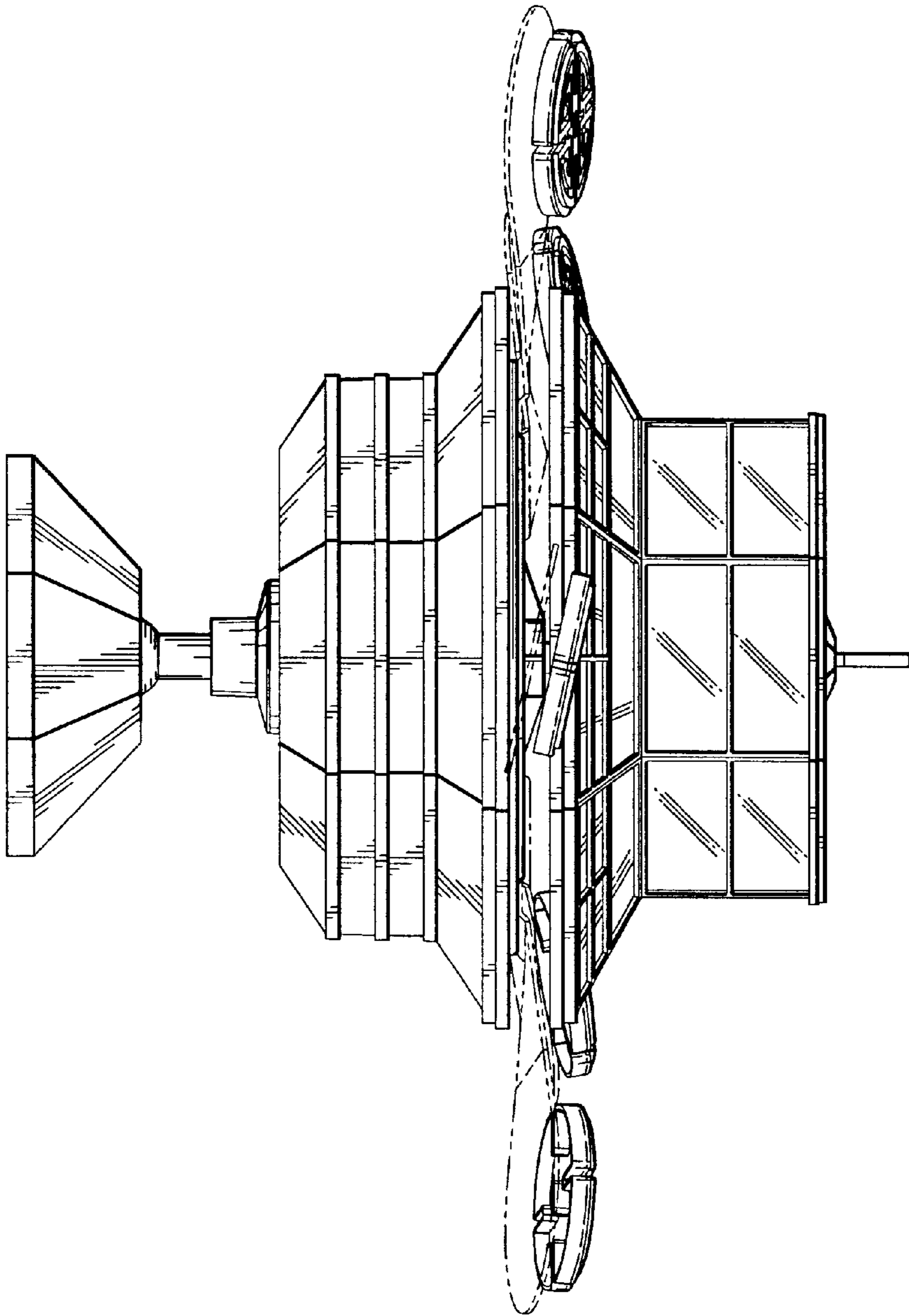


FIG 6

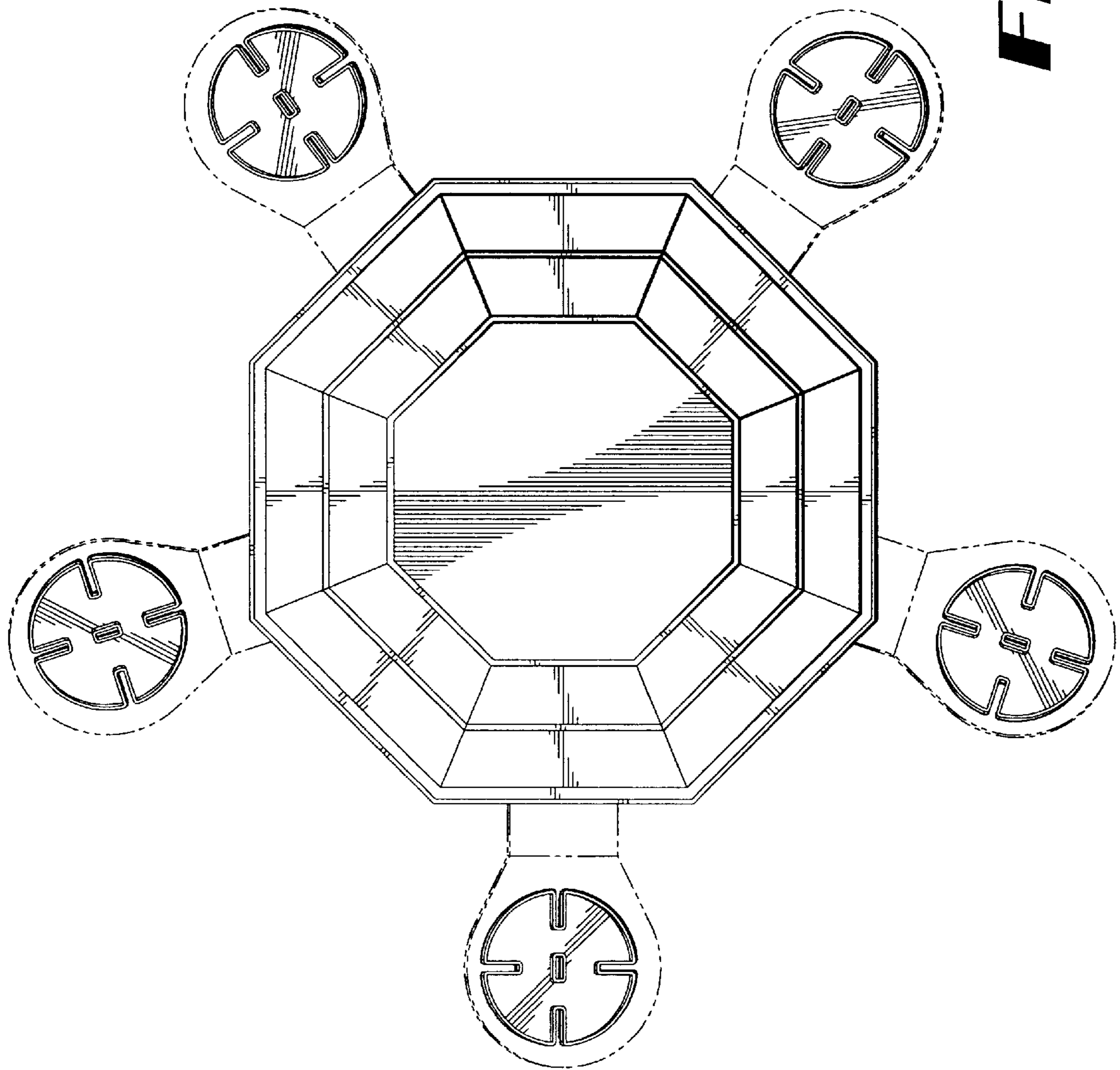


FIG 7

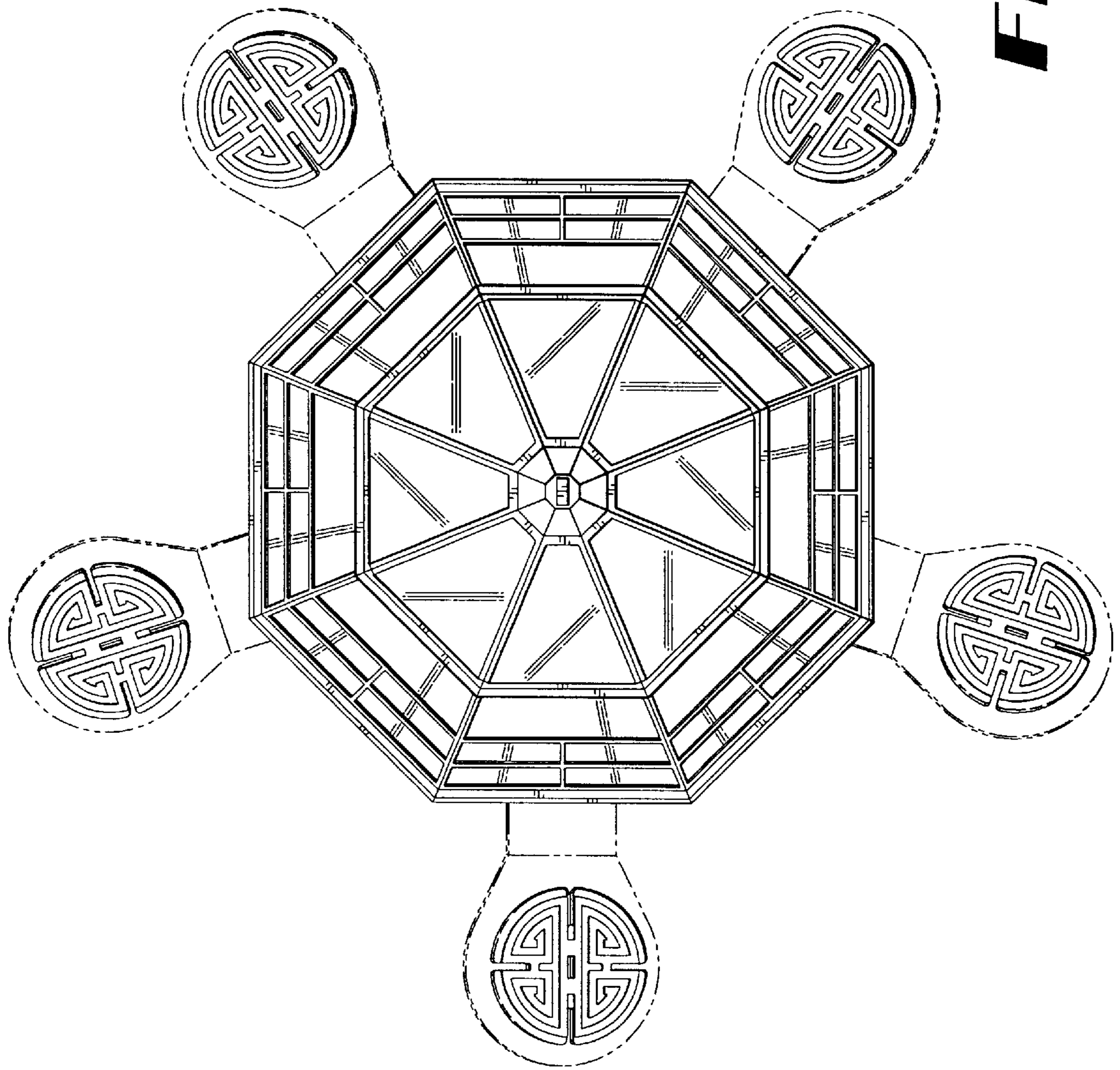


FIG 8

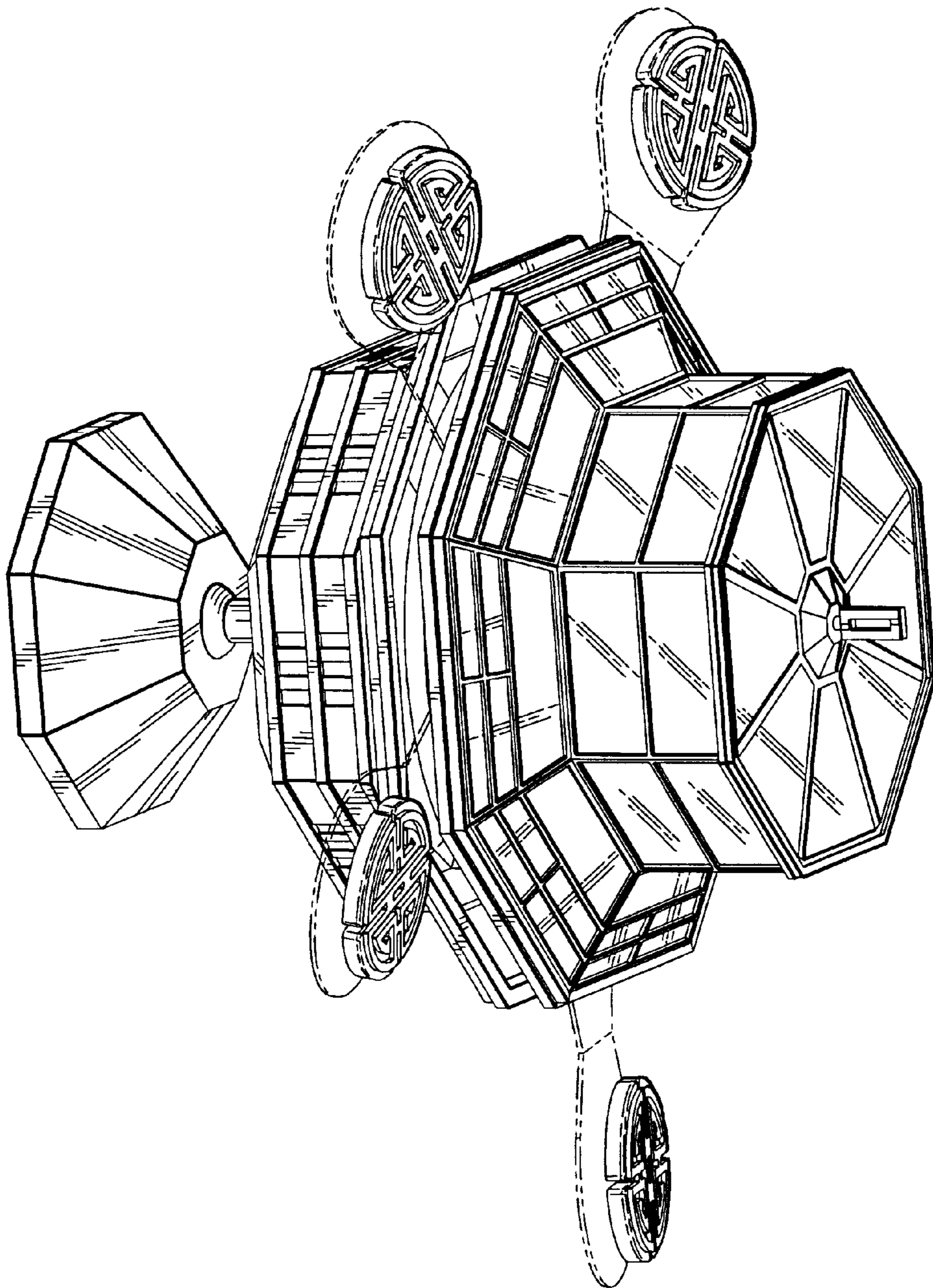


FIG 9

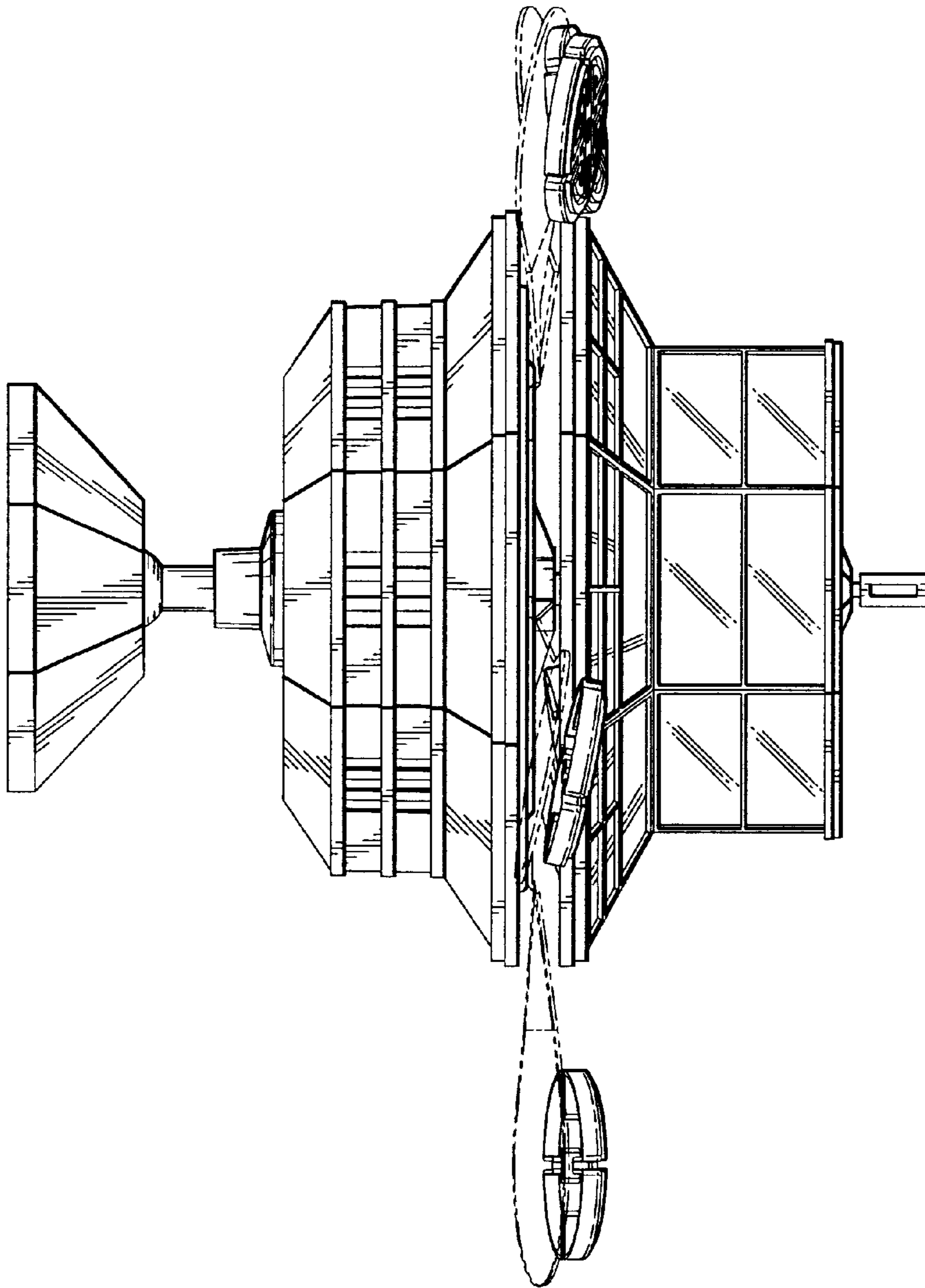


FIG 10

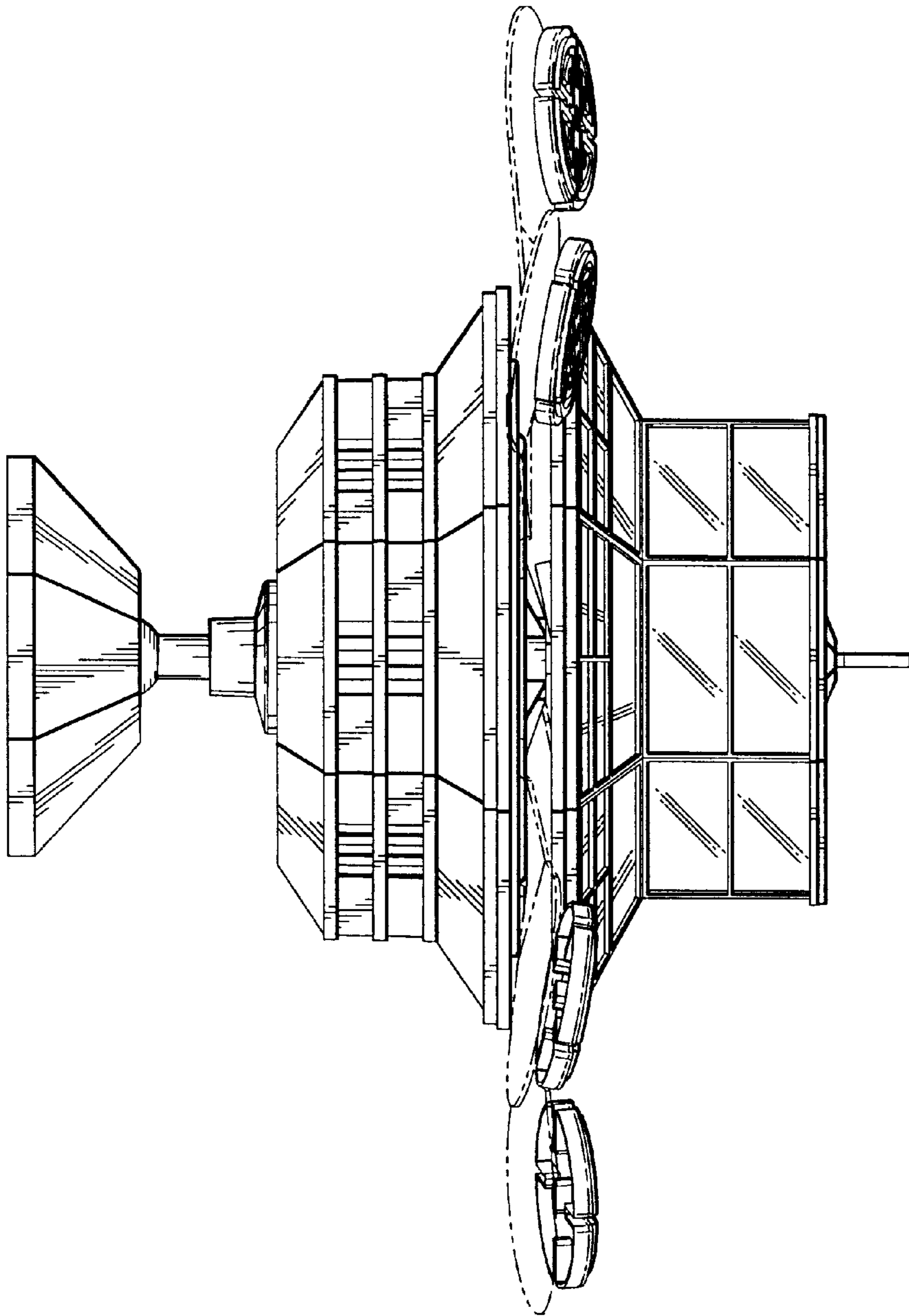


FIG 11

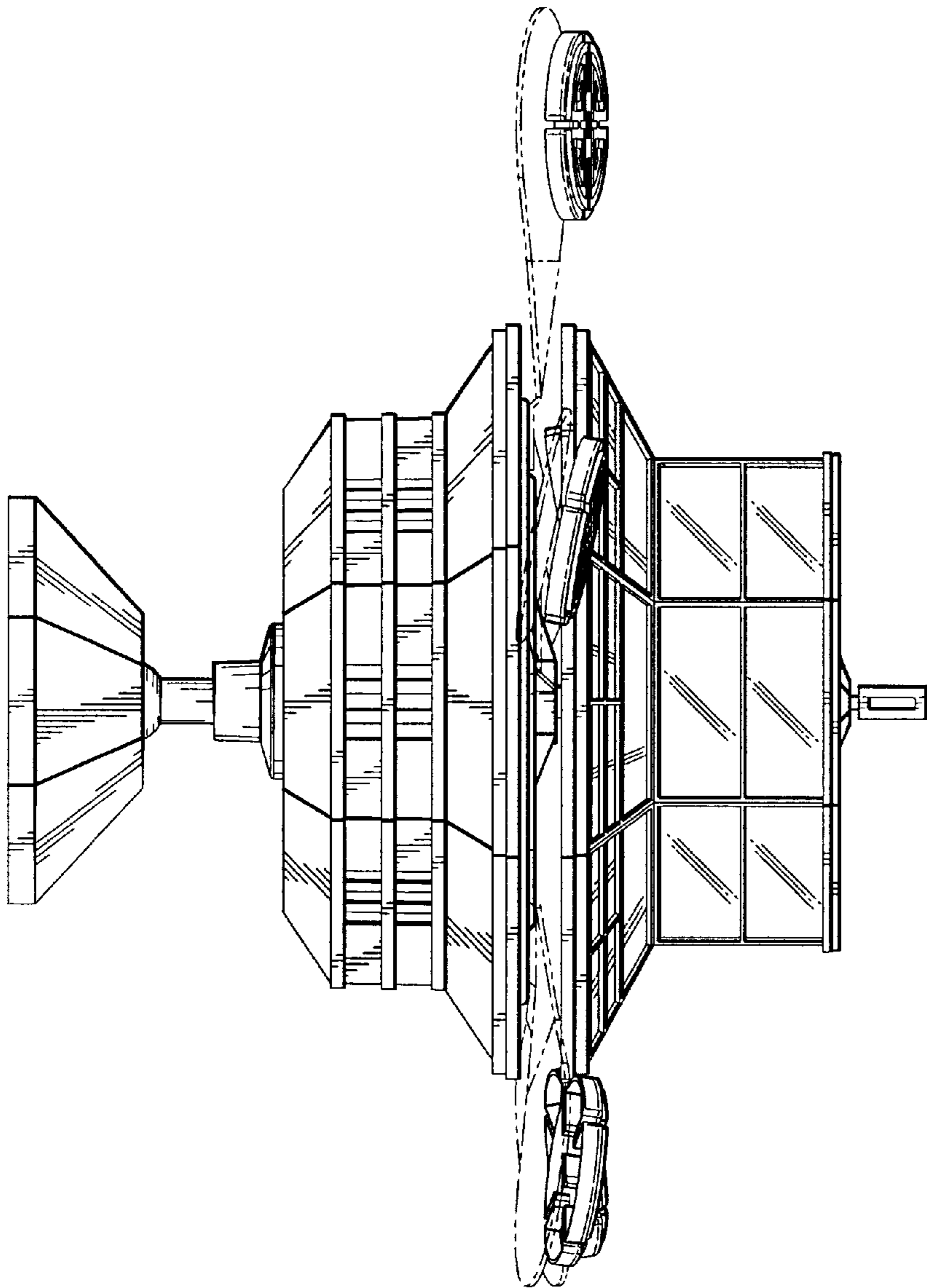


FIG 12

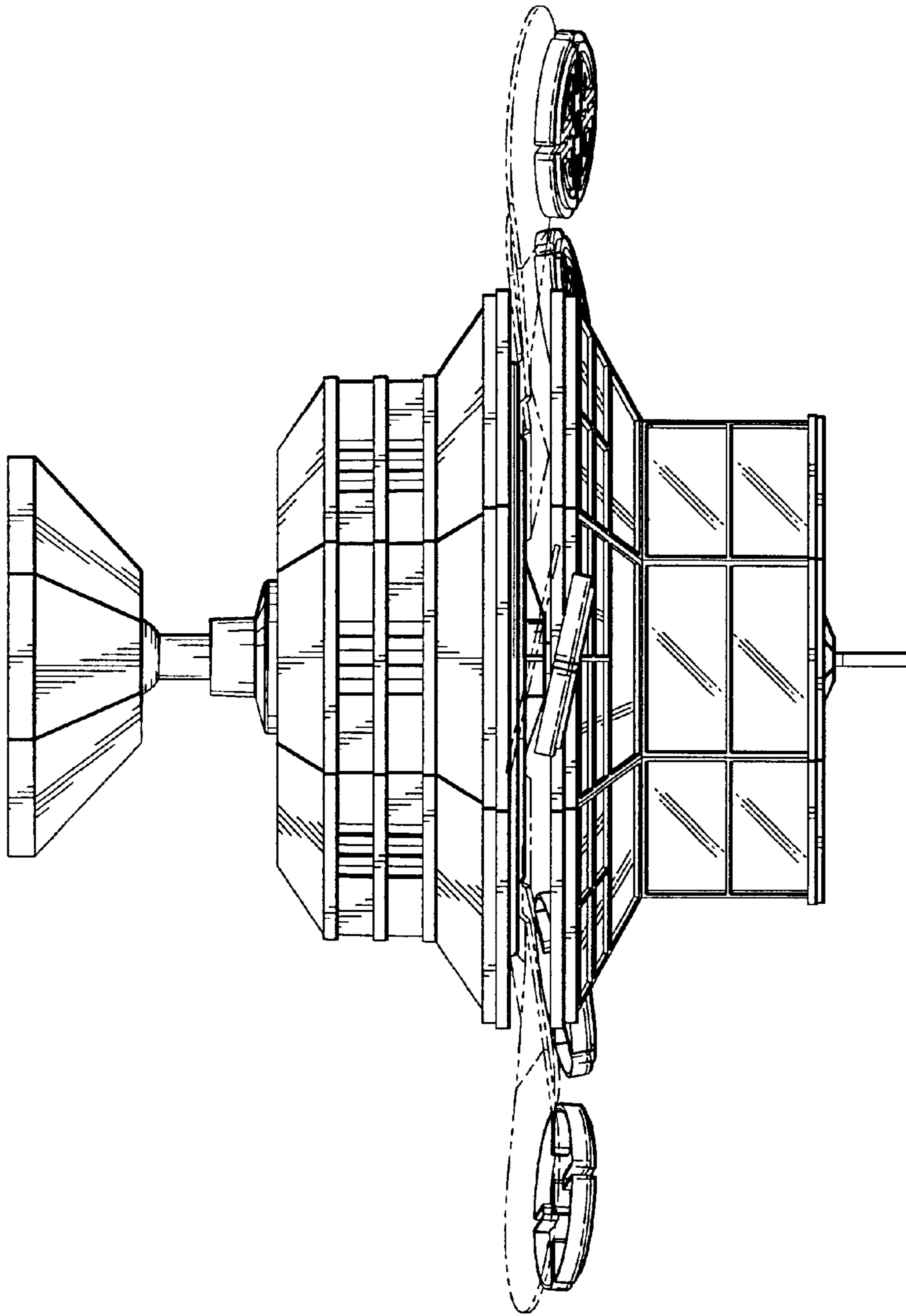


FIG 13