



US00D414856S

United States Patent [19]

Zuege

[11] Patent Number: Des. 414,856

[45] Date of Patent: ** Oct. 5, 1999

[54] **COMBINED CEILING FAN AND LIGHT FIXTURE**

[75] Inventor: **Bradford C. Zuege**, Memphis, Tenn.

[73] Assignee: **Hunter Fan Company**, Memphis, Tenn.

[**] Term: **14 Years**

[21] Appl. No.: **29/096,109**

[22] Filed: **Nov. 5, 1998**

[51] **LOC (6) Cl.** **23-04**

[52] **U.S. Cl.** **D23/377; D23/379; D23/385; D26/59**

[58] **Field of Search** **D23/377, 379, D23/385, 411, 413; 416/5; D26/59, 81-86, 88, 51, 72, 80**

[56] **References Cited**

U.S. PATENT DOCUMENTS

D. 270,942	10/1983	McCain	D23/377
D. 325,776	4/1992	Scotfield et al.	D23/377
D. 407,154	3/1999	Thomas	D23/411

Primary Examiner—Lisa Lichtenstein

Attorney, Agent, or Firm—Garrison, Morris & Haight, PLLC

[57] **CLAIM**

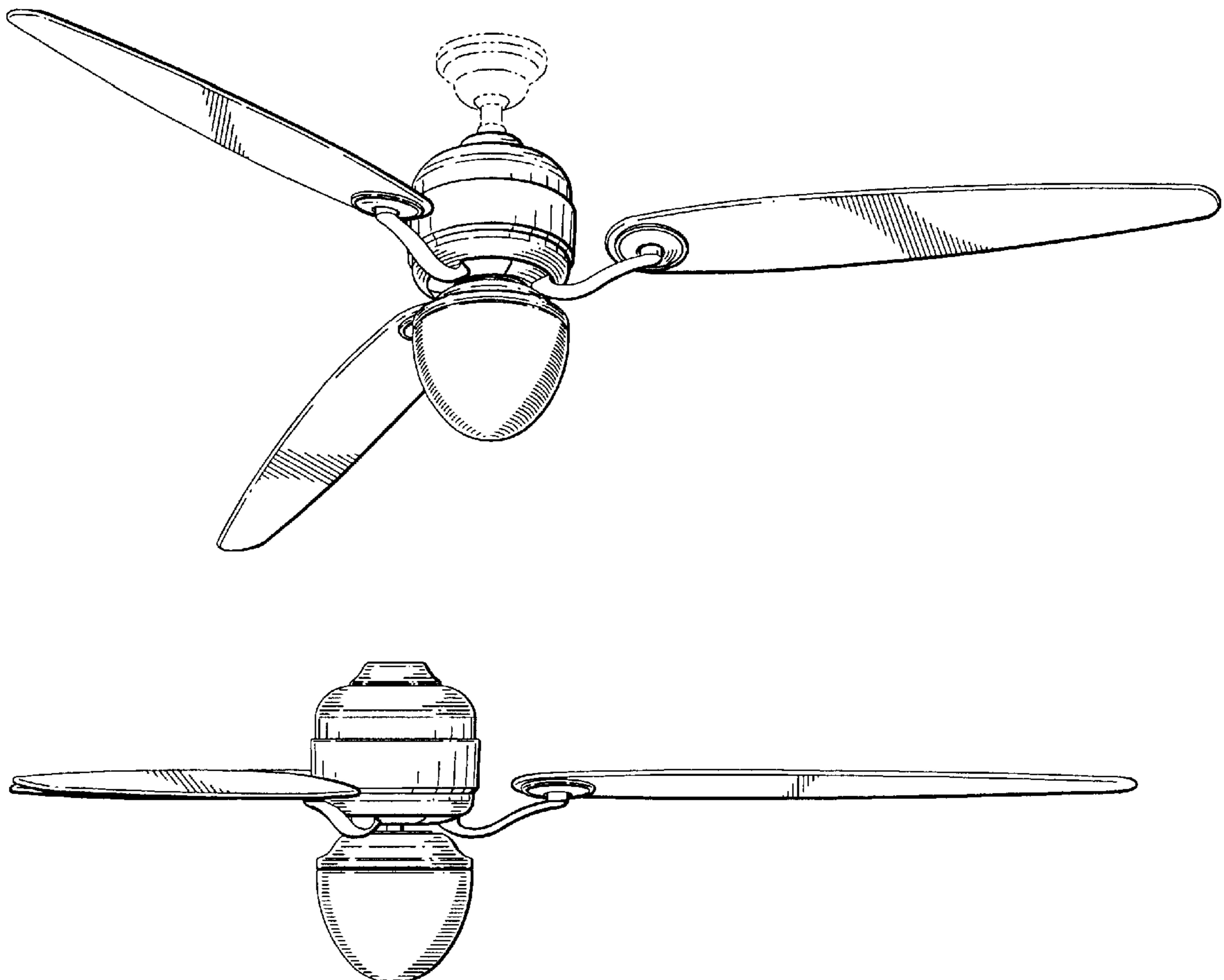
The ornamental design of a combined ceiling fan and light fixture, as shown and described.

DESCRIPTION

FIG. 1 is a perspective view of a ceiling fan and light fixture showing our new design;
 FIG. 2 is a perspective view of the design shown in FIG. 1 with the environmental structure removed therefrom;
 FIG. 3 is a front view of FIG. 2;
 FIG. 4 is a right-side view of FIG. 2;
 FIG. 5 is a rear view of FIG. 2;
 FIG. 6 is a left-side view of FIG. 2;
 FIG. 7 is a top view of FIG. 2;
 FIG. 8 is a bottom view of FIG. 2; and,
 FIG. 9 is an enlarged perspective view of the design shown in FIG. 1 with the environmental structure removed therefrom and the included fan blades shown in fragmentary view.

The broken line showing of environmental structure shown in FIG. 1 is for illustrative purposes only and forms no part of the claimed design.

1 Claim, 9 Drawing Sheets



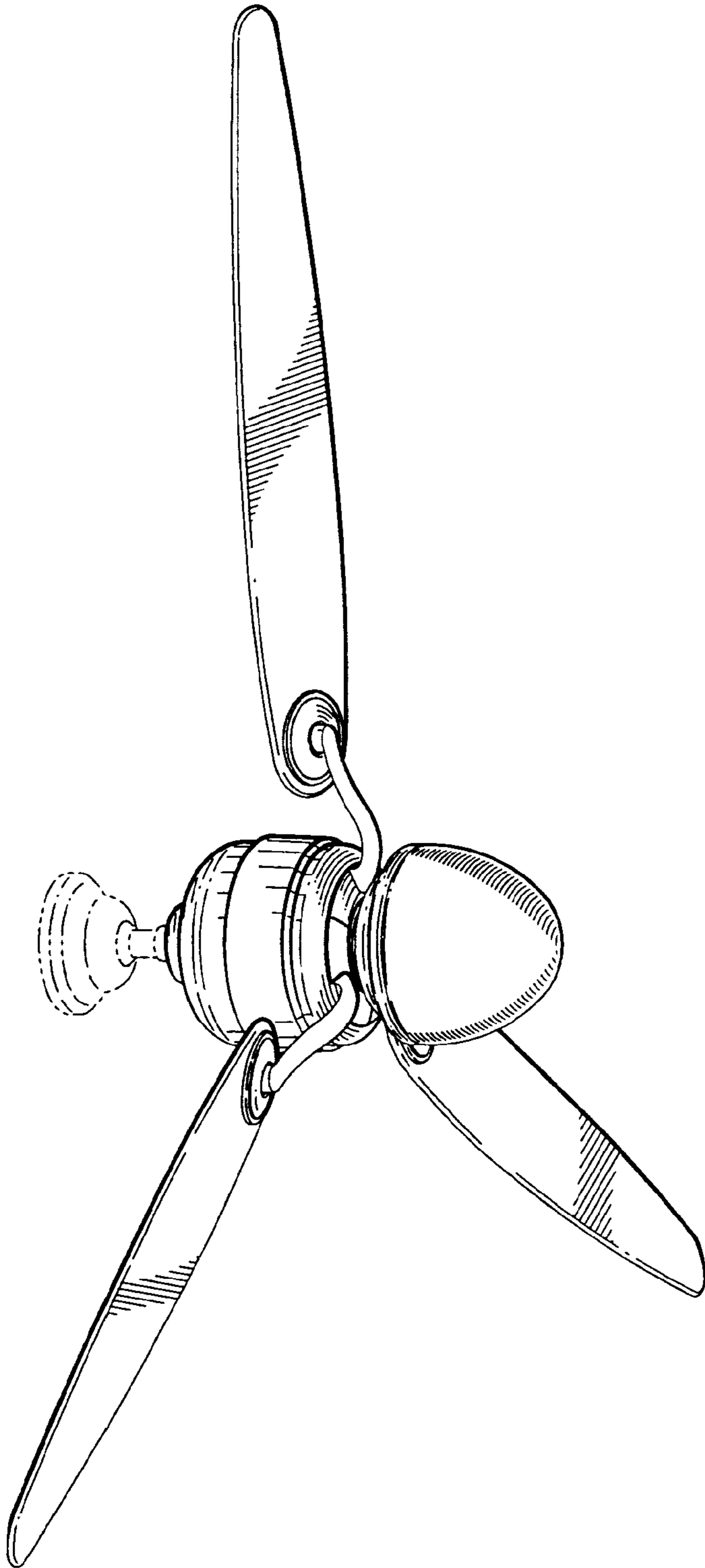


FIG 1

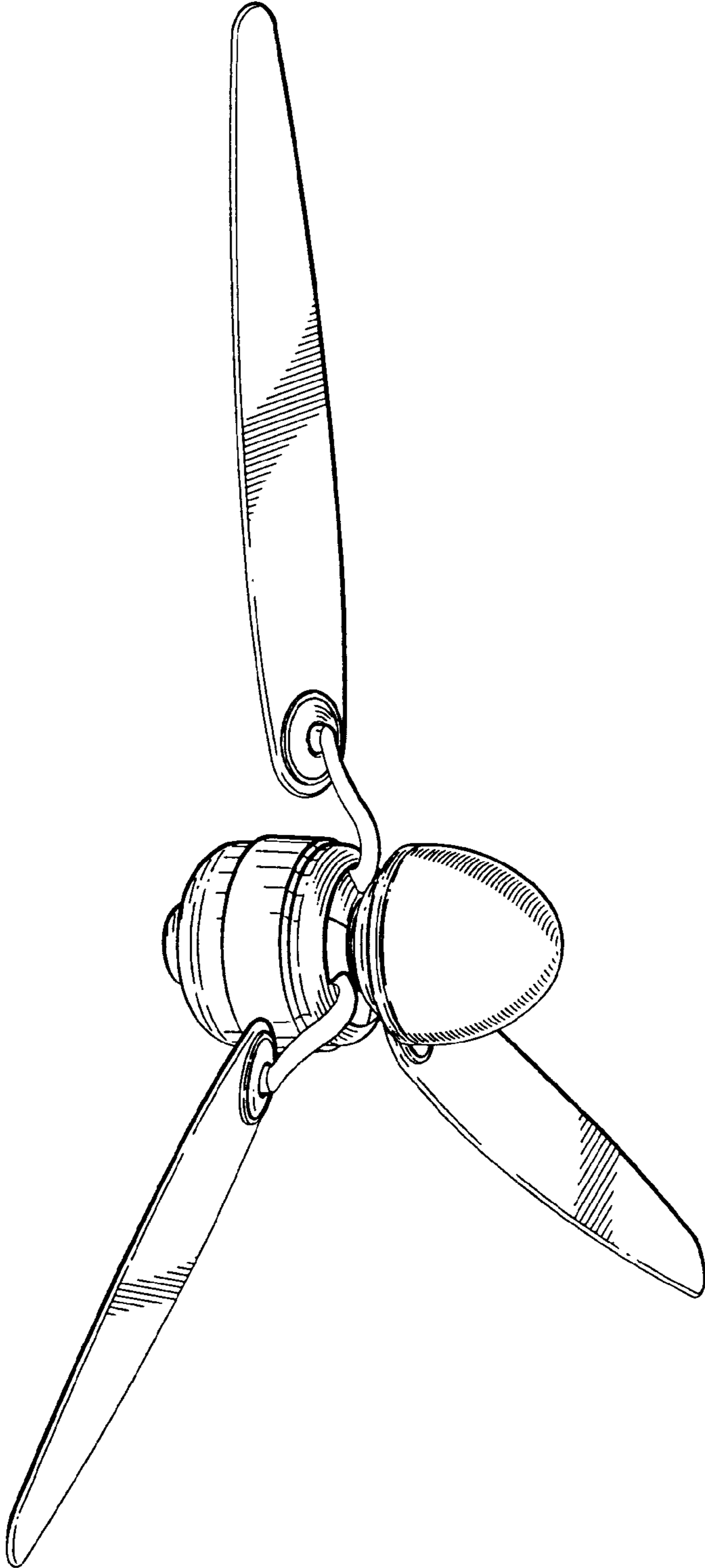


FIG 2

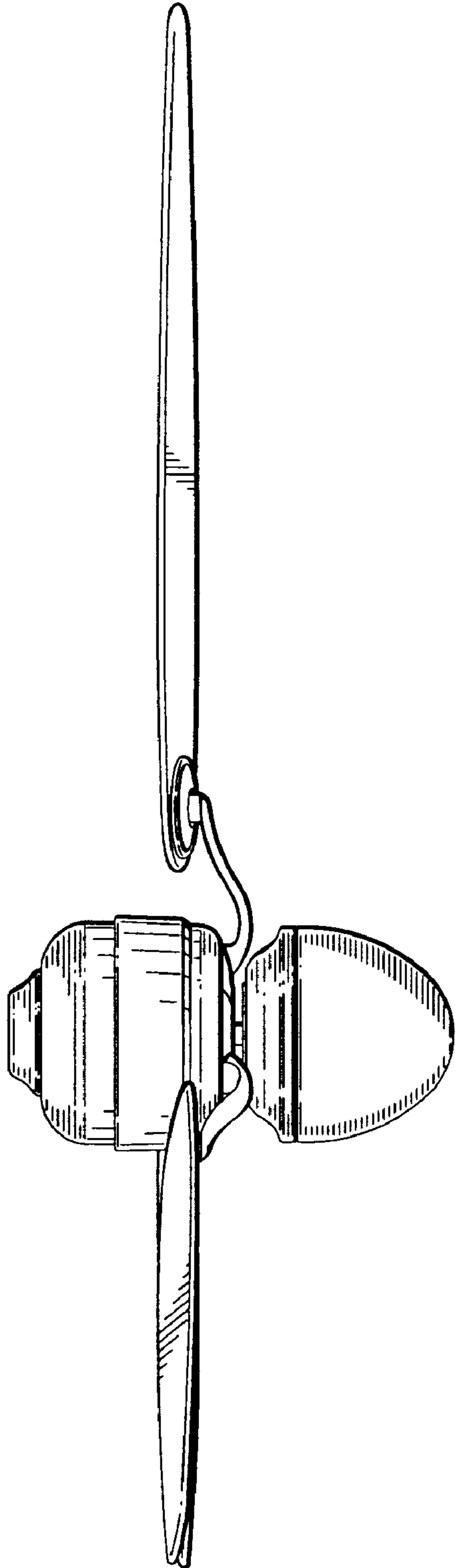


FIG 3

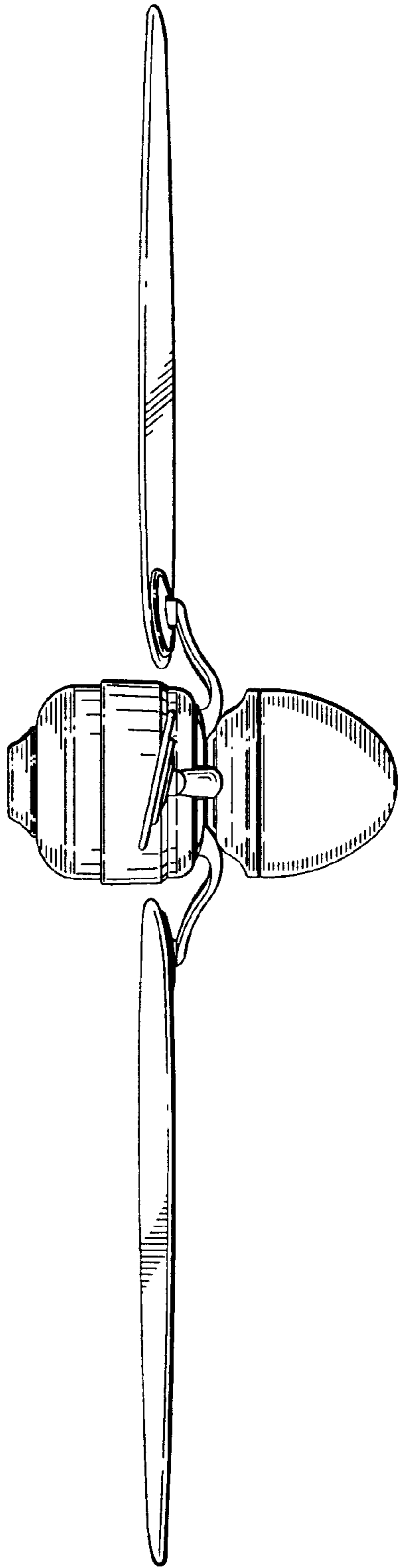
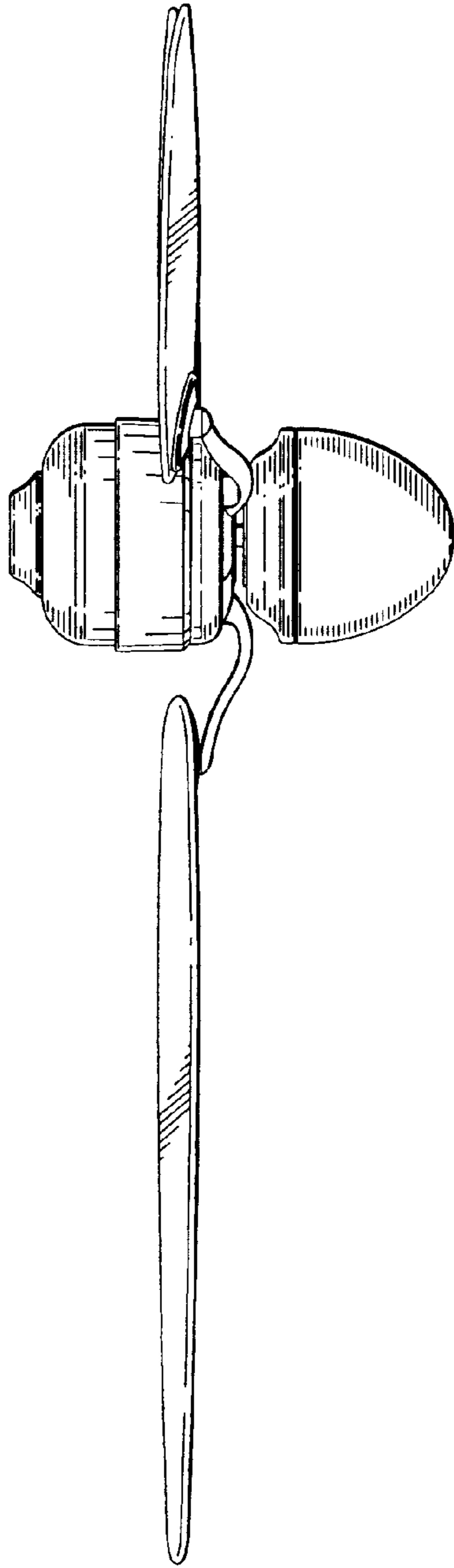


FIG 4

FIG 5



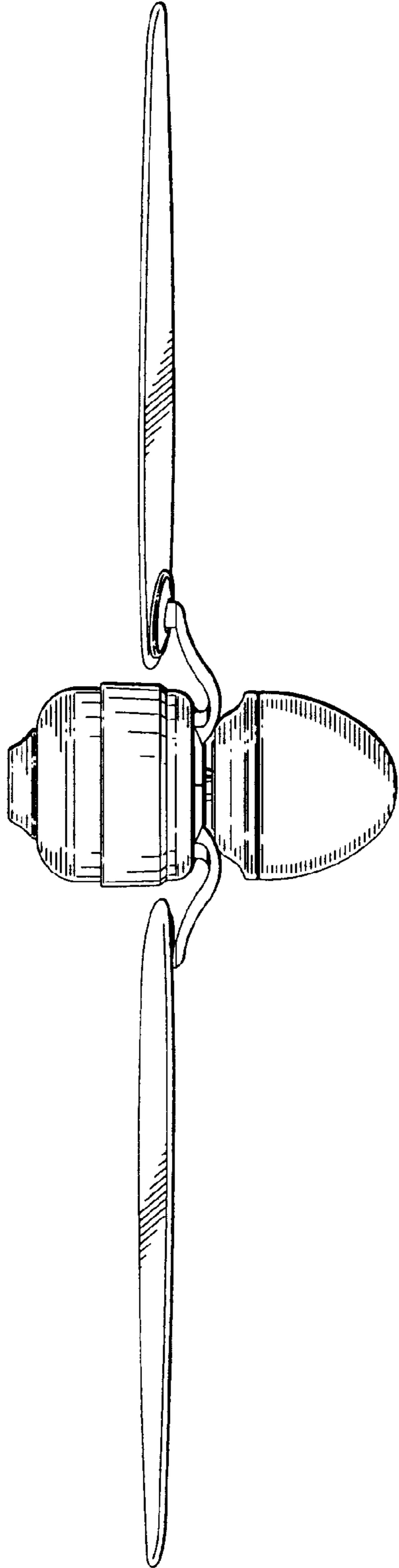


FIG 6

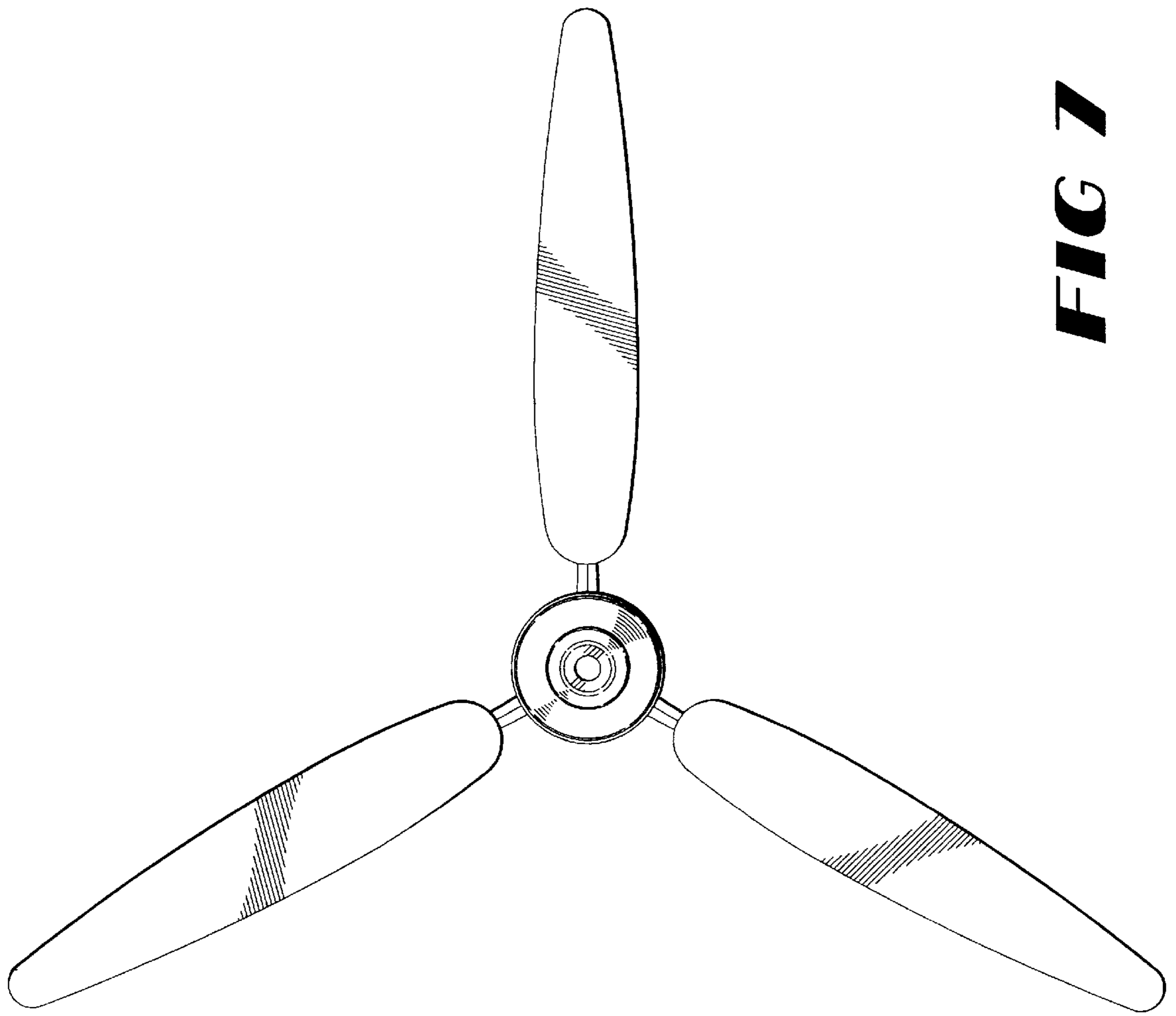


FIG 7

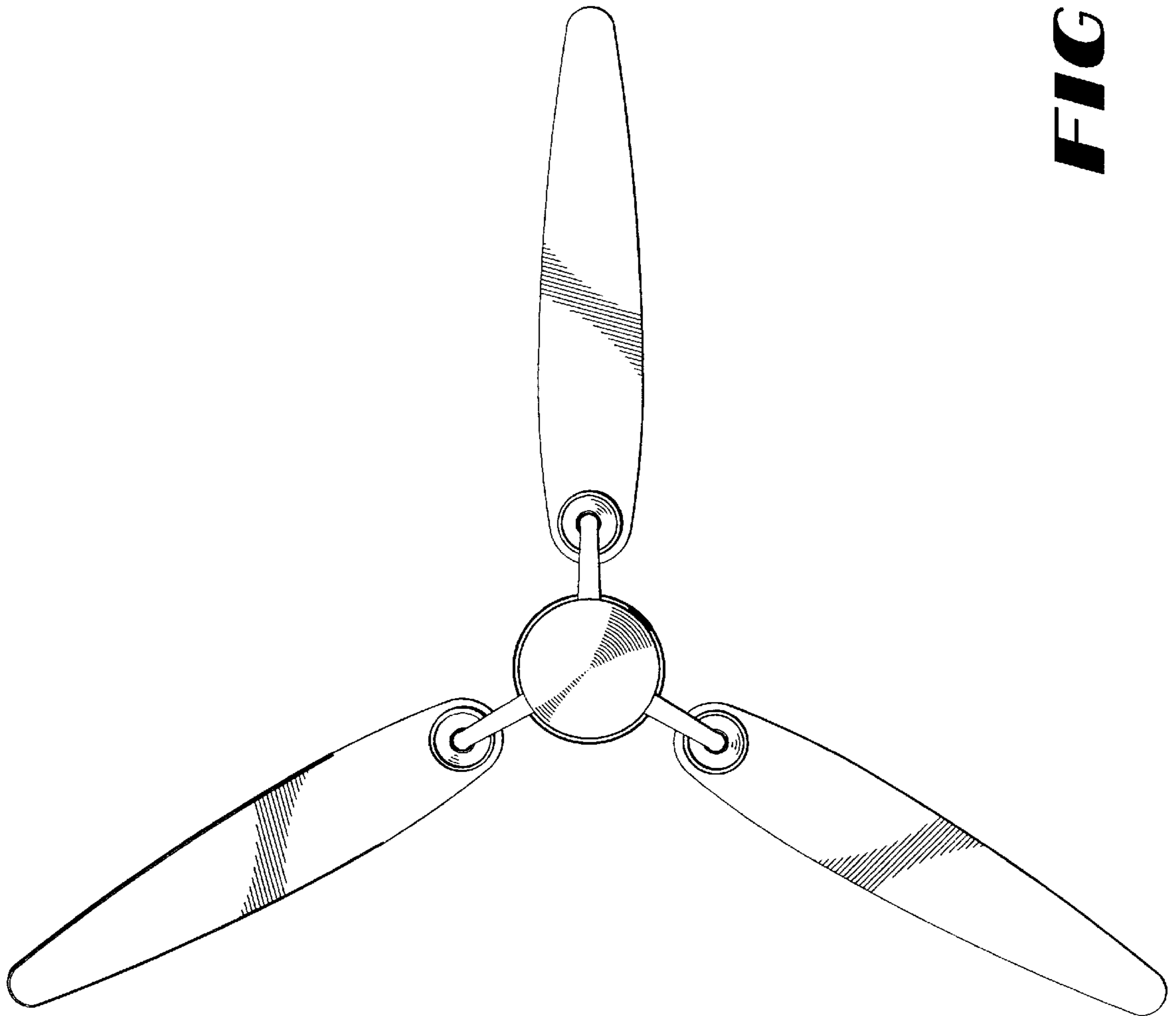


FIG 8

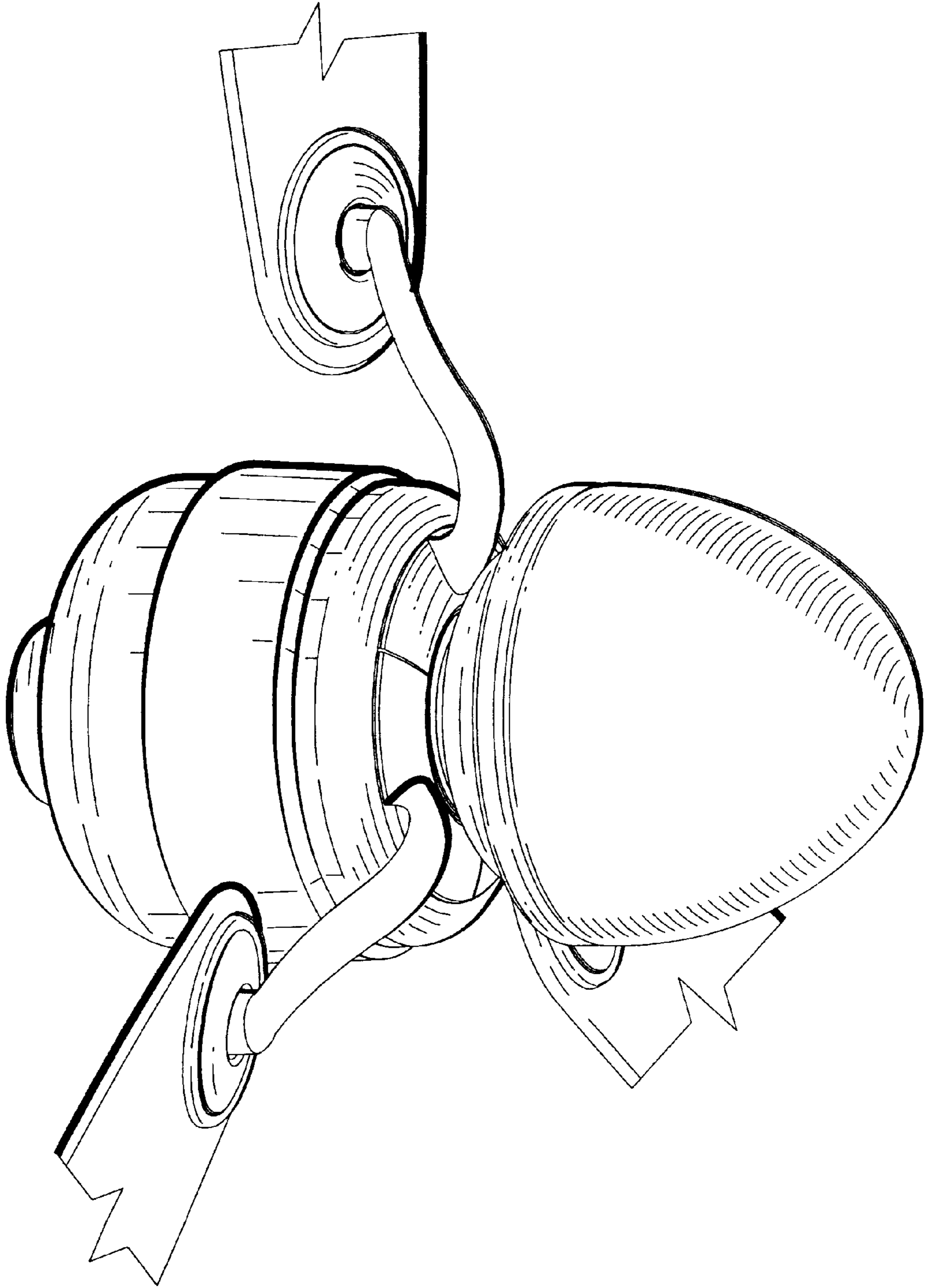


FIG 9