



US00D414853S

**United States Patent** [19]  
**Hyon**

[11] **Patent Number: Des. 414,853**  
[45] **Date of Patent: \*\* Oct. 5, 1999**

[54] **WINDOW-ADHESIVE TYPE AIR  
CONDITIONER**  
[75] Inventor: **Chin-Soo Hyon**, Kyungki-do, Rep. of  
Korea  
[73] Assignee: **LG Electronics Inc.**, Seoul, Rep. of  
Korea  
[\*\*] Term: **14 Years**

D. 395,148 6/1998 Choi ..... D23/353

*Primary Examiner*—Lisa Lichtenstein  
*Attorney, Agent, or Firm*—Birch, Stewart, Kolasch & Birch,  
LLP

[21] Appl. No.: **29/090,153**  
[22] Filed: **Jun. 30, 1998**  
[30] **Foreign Application Priority Data**  
Dec. 30, 1997 [KR] Rep. of Korea ..... 97-27923  
[51] **LOC (6) Cl.** ..... **23-04**  
[52] **U.S. Cl.** ..... **D23/353; D23/351; D23/354**  
[58] **Field of Search** ..... D23/351, 353,  
D23/354, 333; 454/201, 203

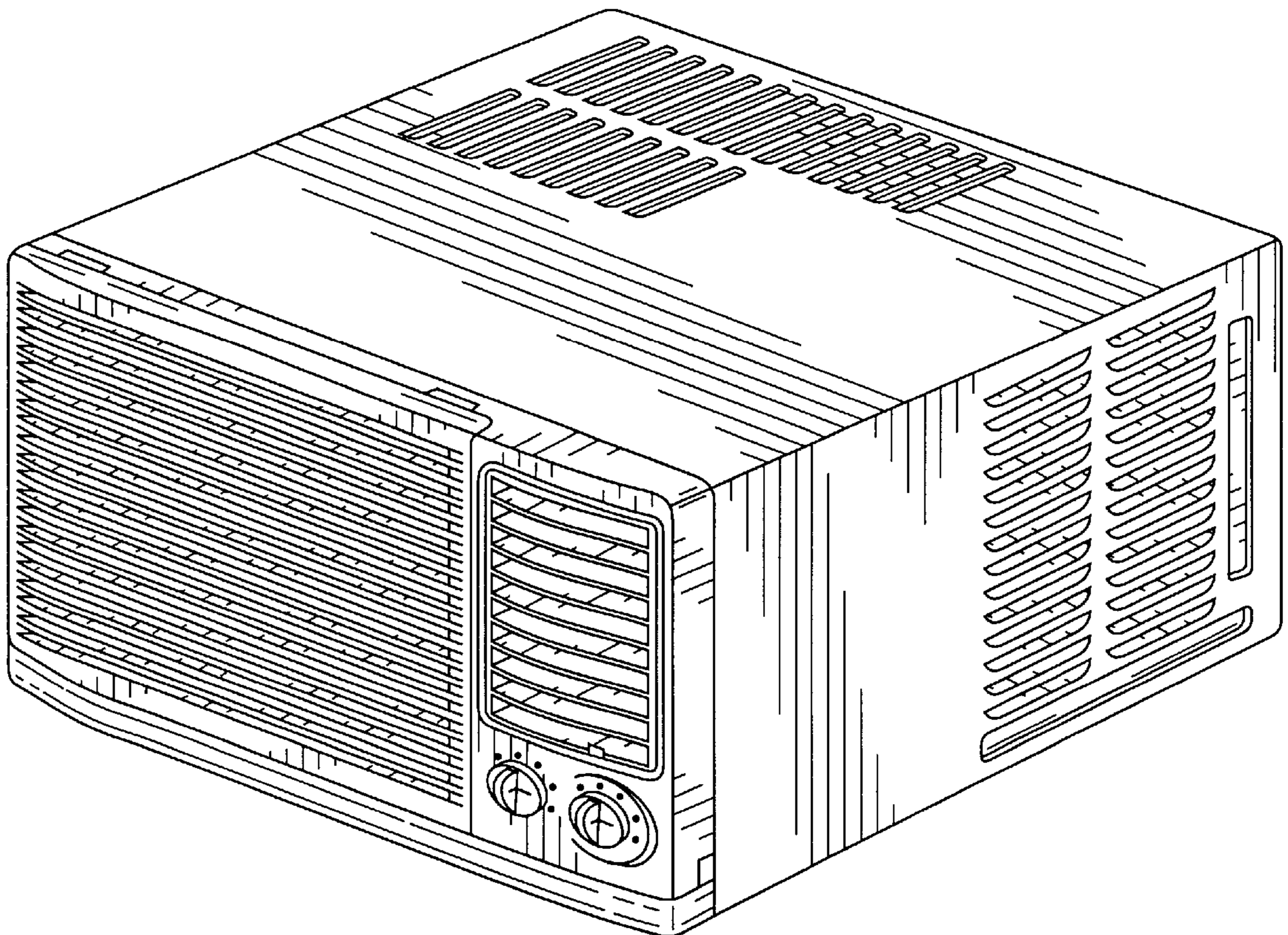
[57] **CLAIM**  
The ornamental design for a window-adhesive type air  
conditioner, as shown.

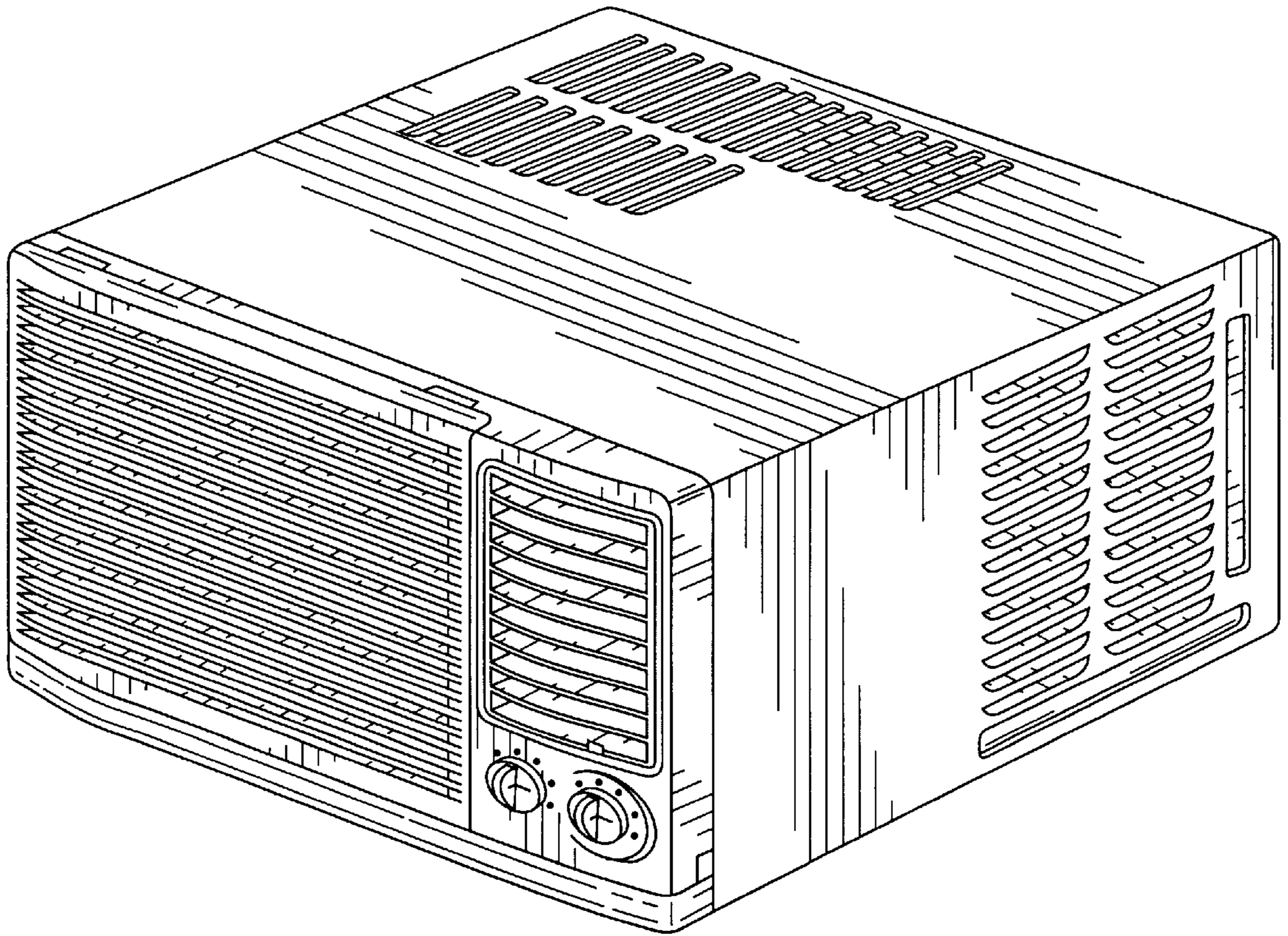
**DESCRIPTION**

FIG. 1 is a perspective view of the window-adhesive type air  
conditioner;  
FIG. 2 is a front view thereof;  
FIG. 3 is a rear view thereof;  
FIG. 4 is a right side view thereof;  
FIG. 5 is a left side view thereof;  
FIG. 6 is a top plan view thereof; and,  
FIG. 7 is a bottom plan view thereof.

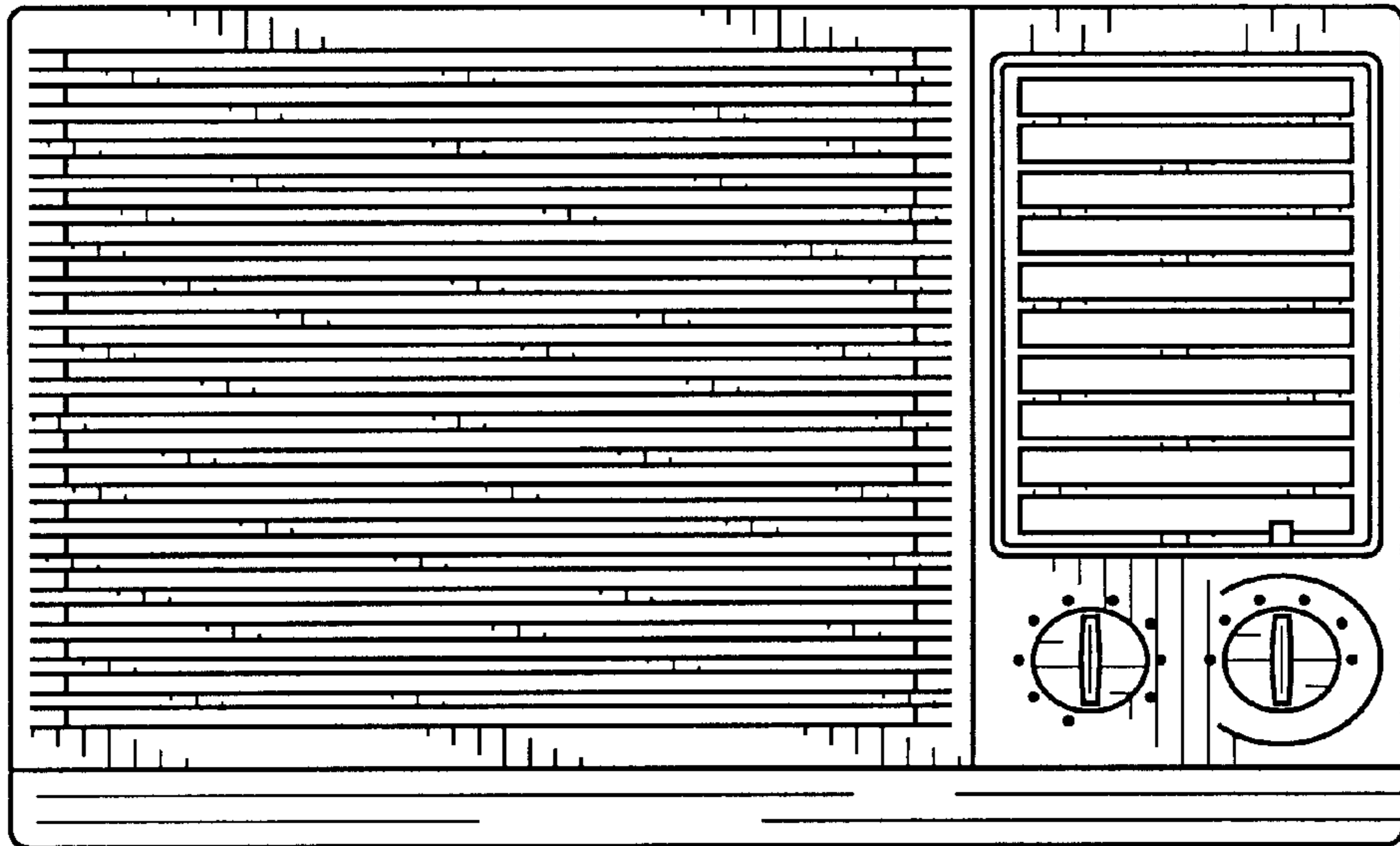
[56] **References Cited**  
**U.S. PATENT DOCUMENTS**  
D. 392,729 3/1998 Choi ..... D23/353

**1 Claim, 4 Drawing Sheets**

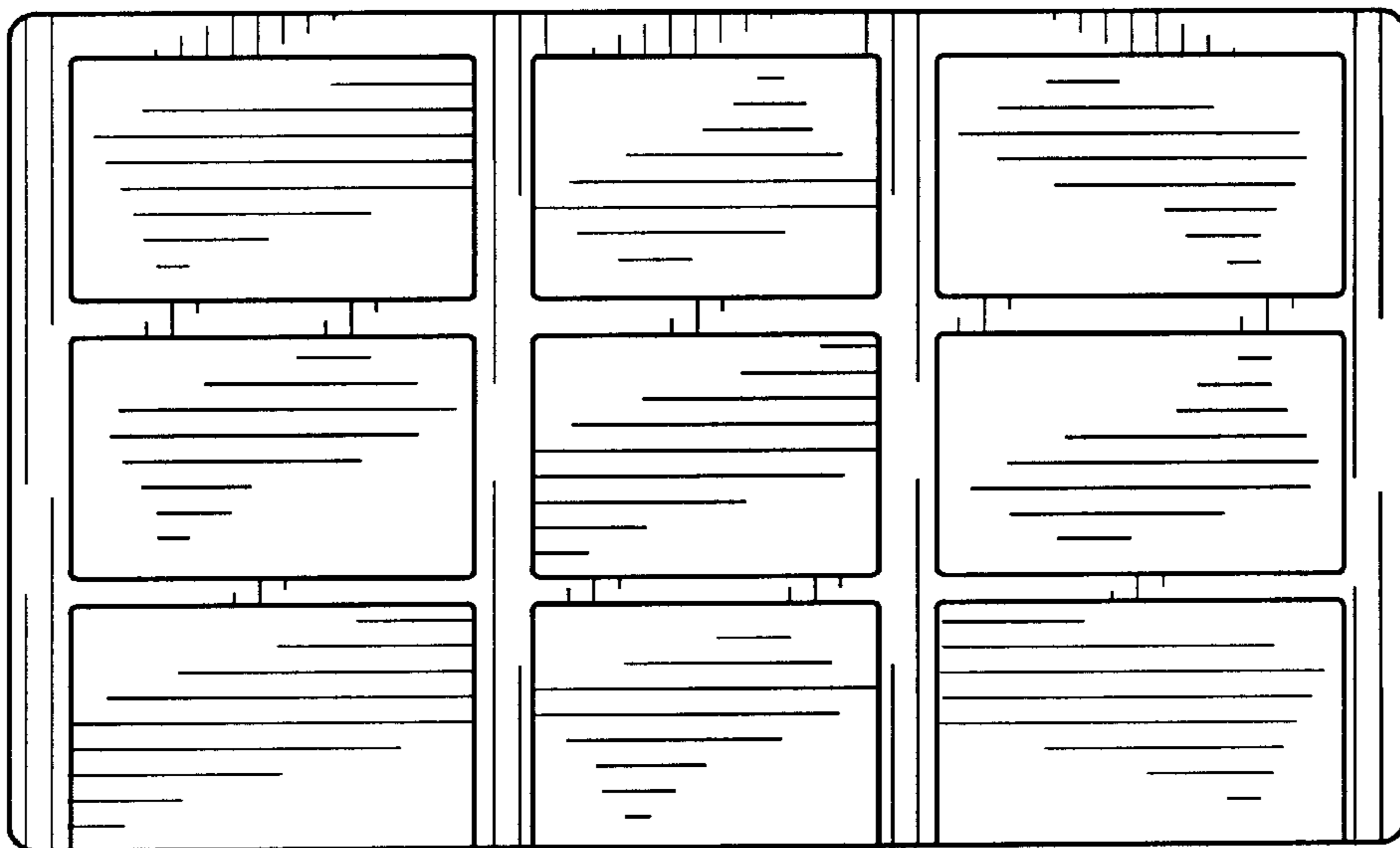




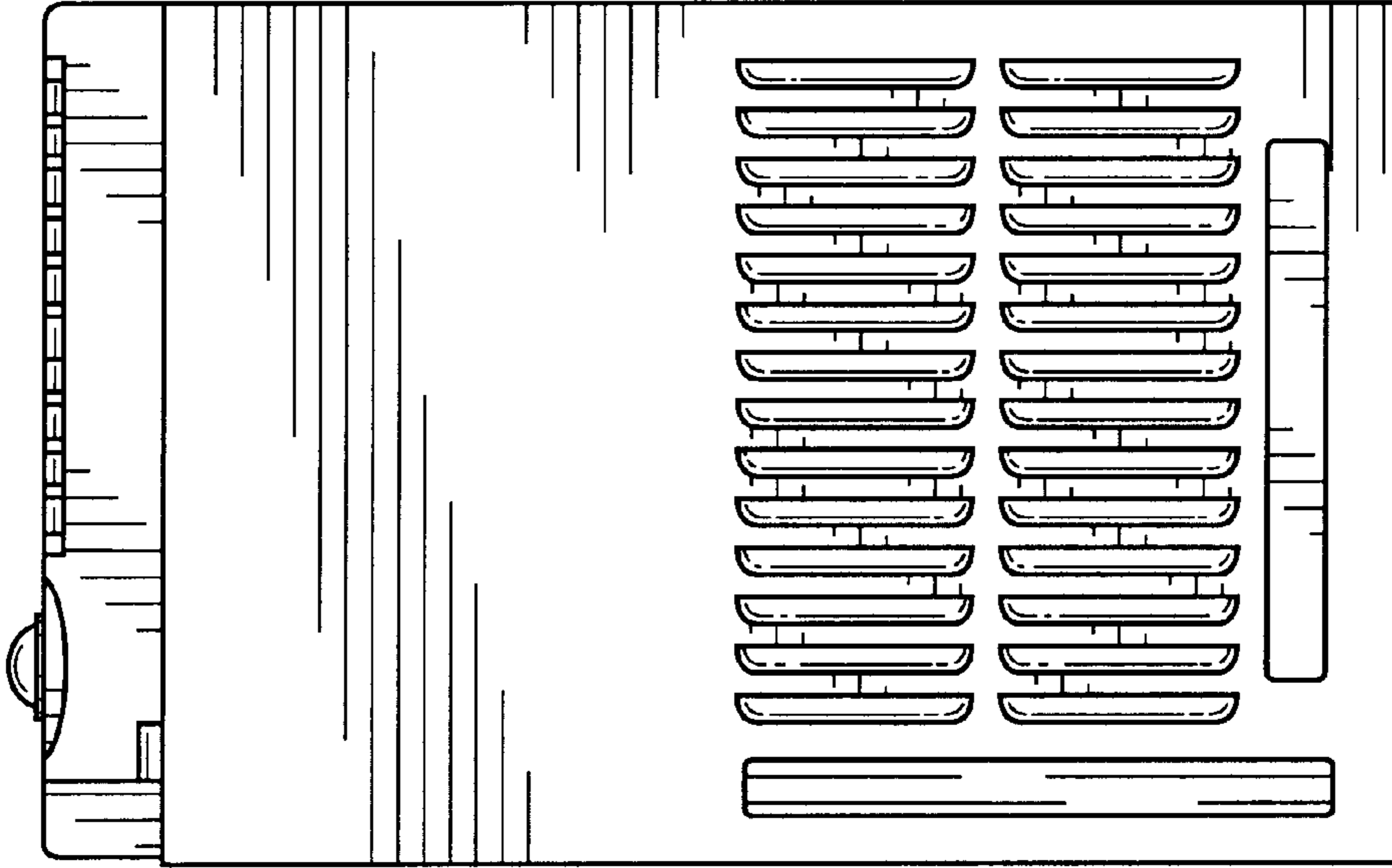
**FIG. 1**



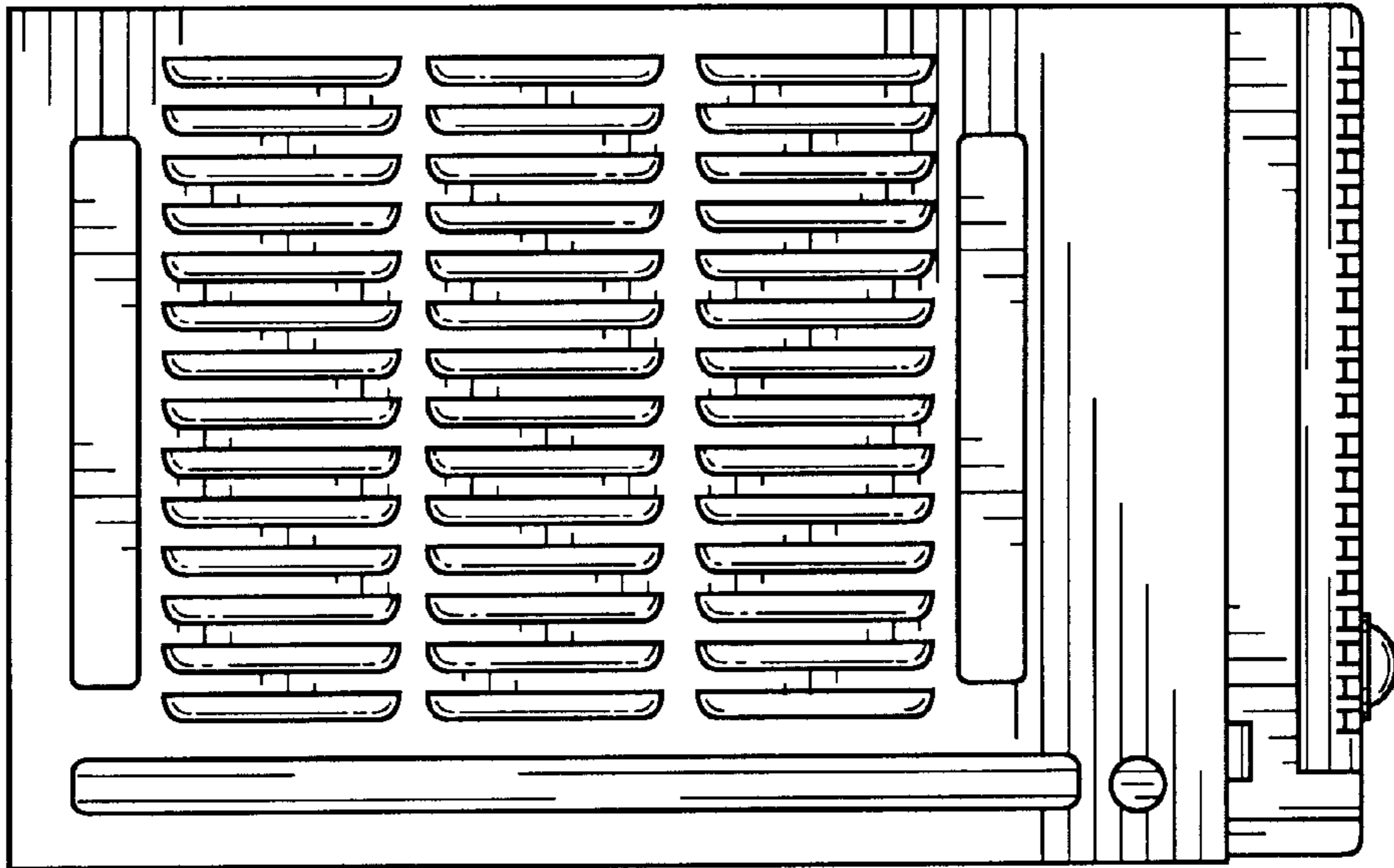
**FIG. 2**



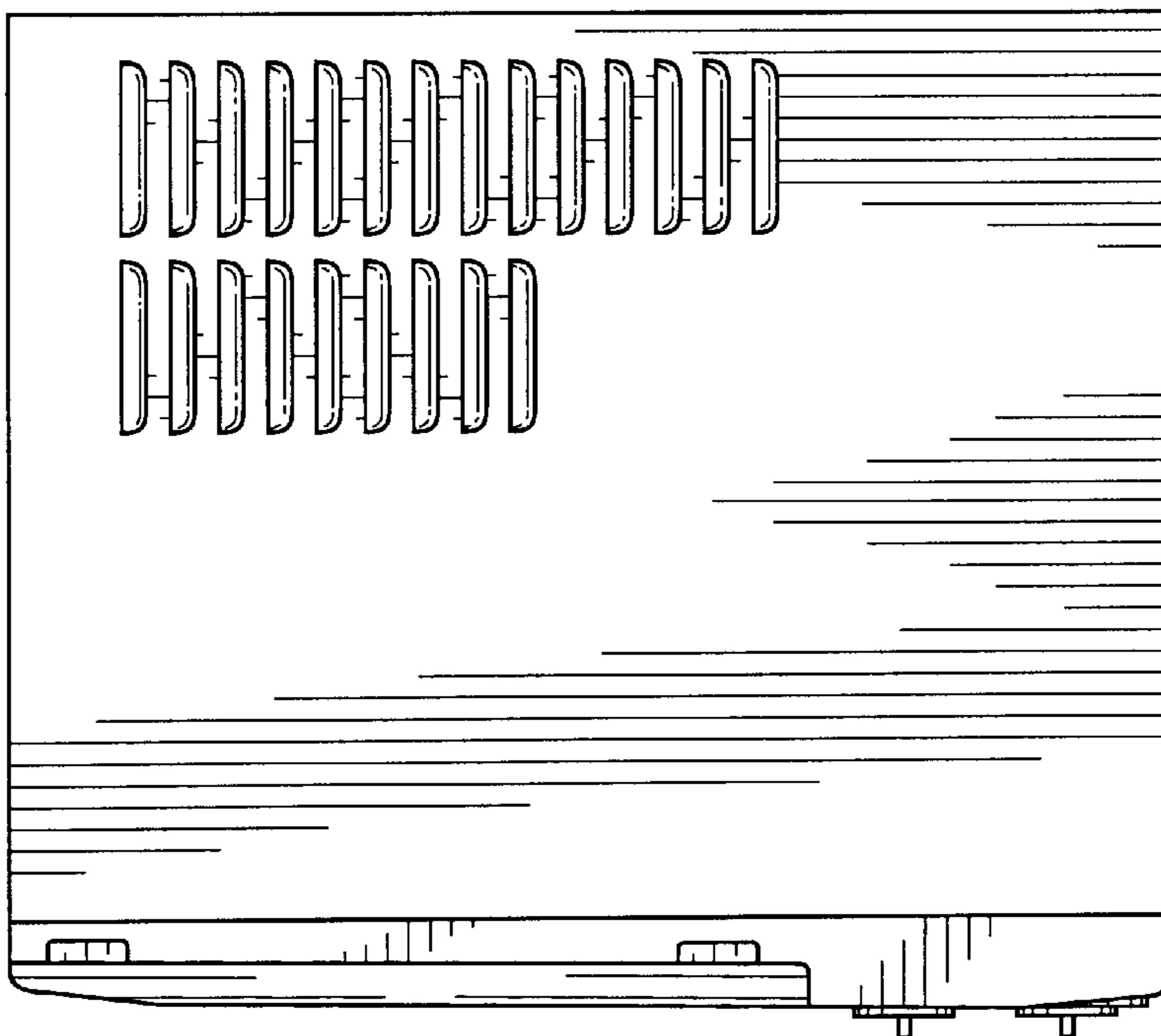
**FIG. 3**



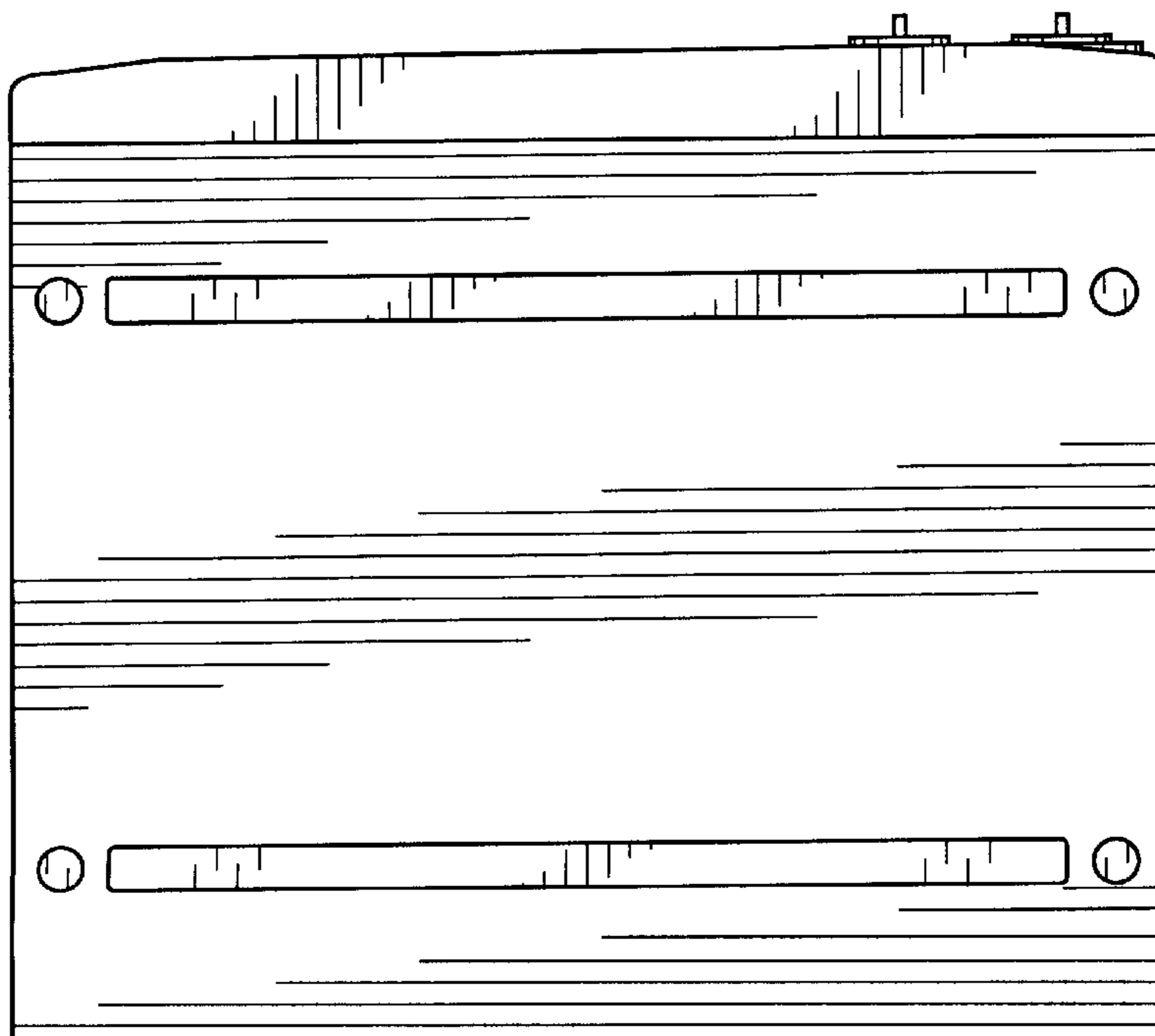
**FIG. 4**



**FIG. 5**



**FIG. 6**



**FIG. 7**