



US00D414851S

United States Patent [19]

[11] Patent Number: **Des. 414,851**

Tani

[45] Date of Patent: **** Oct. 5, 1999**

[54] **WATER CLOSET**

[75] Inventor: **Minoru Tani**, Kita-kyushu, Japan

[73] Assignee: **Toto Ltd.**, Kita-kyushu, Japan

[**] Term: **14 Years**

[21] Appl. No.: **29/087,105**

[22] Filed: **Apr. 28, 1998**

[51] **LOC (6) Cl.** **23-02**

[52] **U.S. Cl.** **D23/295**

[58] **Field of Search** D23/295-301;
4/328, 329-430

D. 355,709	2/1995	Osada	D23/295
D. 370,720	6/1996	Kaiser	D23/301
D. 379,405	5/1997	Shillington	D23/295
D. 379,496	5/1997	Kawamura et al.	D23/301
D. 381,408	7/1997	Birsel et al.	D23/301
D. 382,046	8/1997	Birsel et al.	D23/295
D. 383,833	9/1997	Birsel et al.	D23/301
D. 384,136	9/1997	Kawamura et al.	D23/301
2,558,680	6/1951	Groff	4/14

Primary Examiner—Louis S. Zarfes
Assistant Examiner—Eric Watterson
Attorney, Agent, or Firm—Finnegan, Henderson, Farabow, Garrett & Dunner, L.L.P.

[57] CLAIM

The ornamental design for a water closet, as shown and described.

[56] References Cited

U.S. PATENT DOCUMENTS

D. 37,179	10/1904	Madden .	
D. 185,643	7/1959	Magid et al.	D4/5
D. 268,780	4/1983	Doman et al.	D23/65
D. 271,326	11/1983	Doman et al.	D23/65
D. 275,514	9/1984	Enthoven	D23/65
D. 275,598	9/1984	Stairs, Jr.	D23/65
D. 310,407	9/1990	Stairs, Jr.	D23/301
D. 311,242	10/1990	Reid	D23/301
D. 323,880	2/1992	McKeone et al.	D23/295
D. 345,597	3/1994	Kohler, Jr. et al.	D23/301
D. 347,496	5/1994	Wei	D23/301
D. 352,996	11/1994	Sim	D23/301
D. 353,449	12/1994	Kohler, Jr. et al.	D23/295
D. 353,450	12/1994	Anderson et al.	D23/301

DESCRIPTION

FIG. 1 is a top perspective view of the water closet embodying my design;
FIG. 2 is a bottom perspective view thereof;
FIG. 3 is a front elevational view thereof;
FIG. 4 is a rear elevational view thereof;
FIG. 5 is a left side elevational view thereof, the right side elevational view being a mirror image thereof;
FIG. 6 is a cross-sectional view thereof, taken along line 6—6 in FIG. 3;
FIG. 7 is a top plan view thereof; and,
FIG. 8 is a bottom plan view thereof.

1 Claim, 3 Drawing Sheets

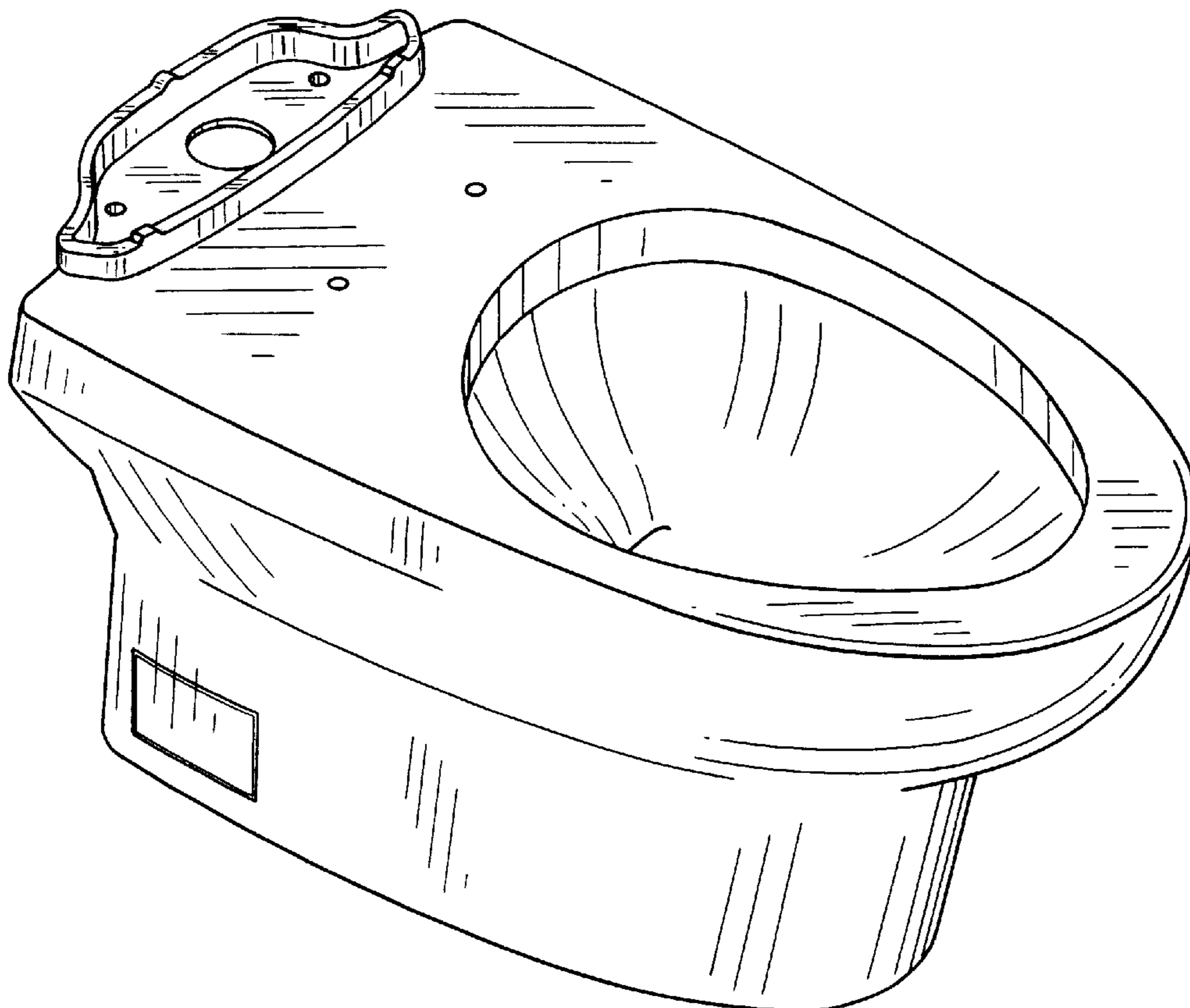


FIG. 1

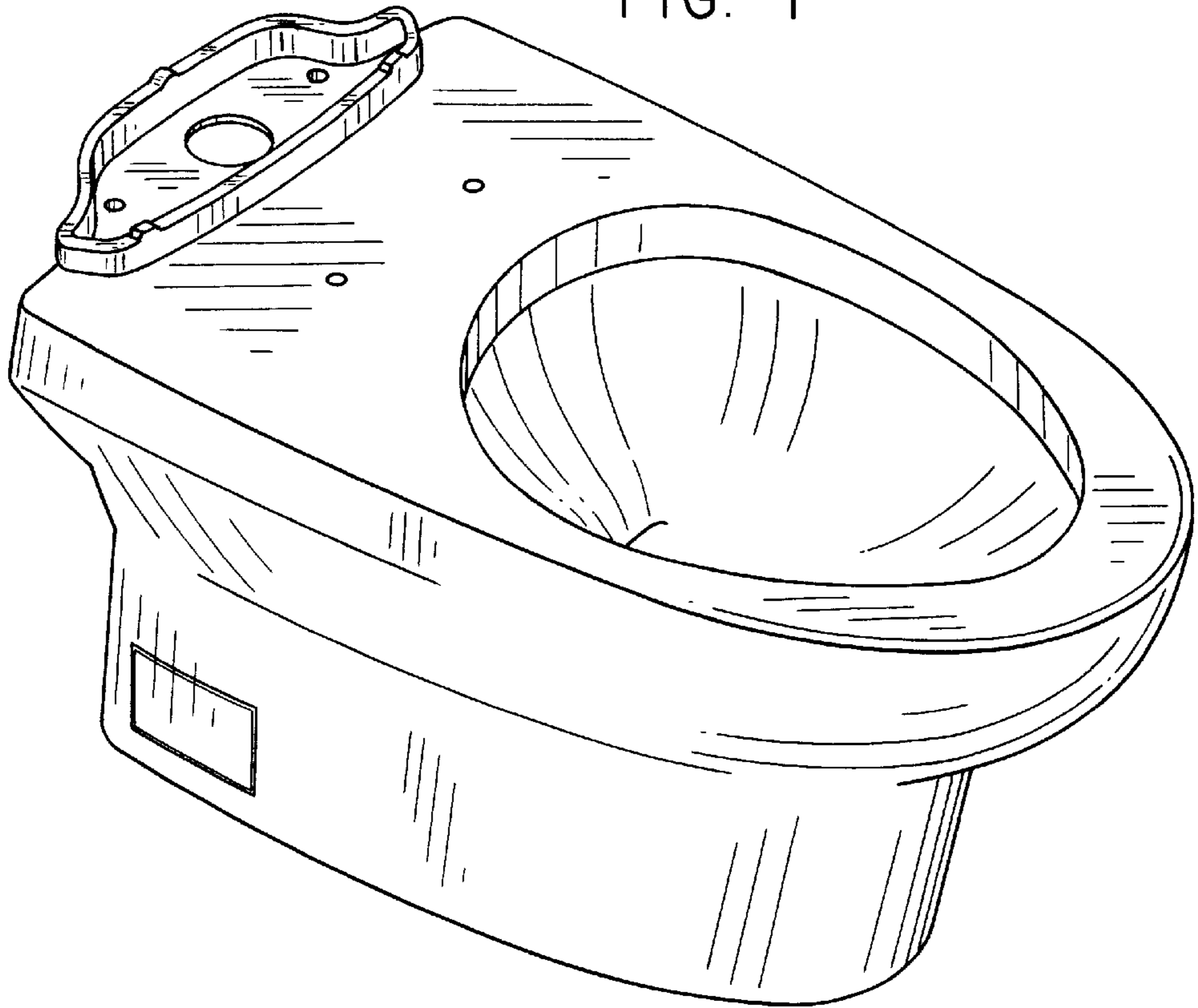


FIG. 2

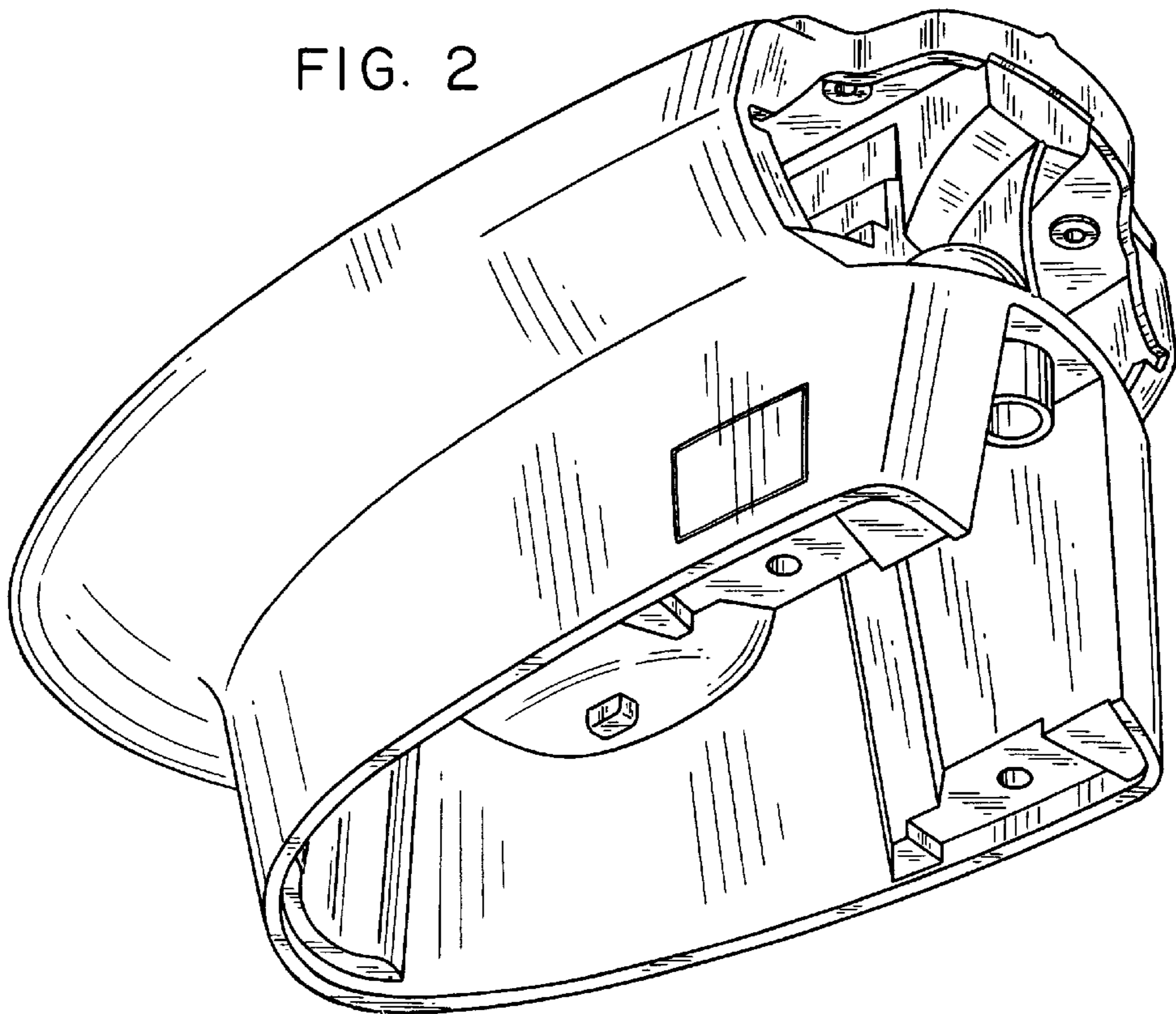


FIG. 3

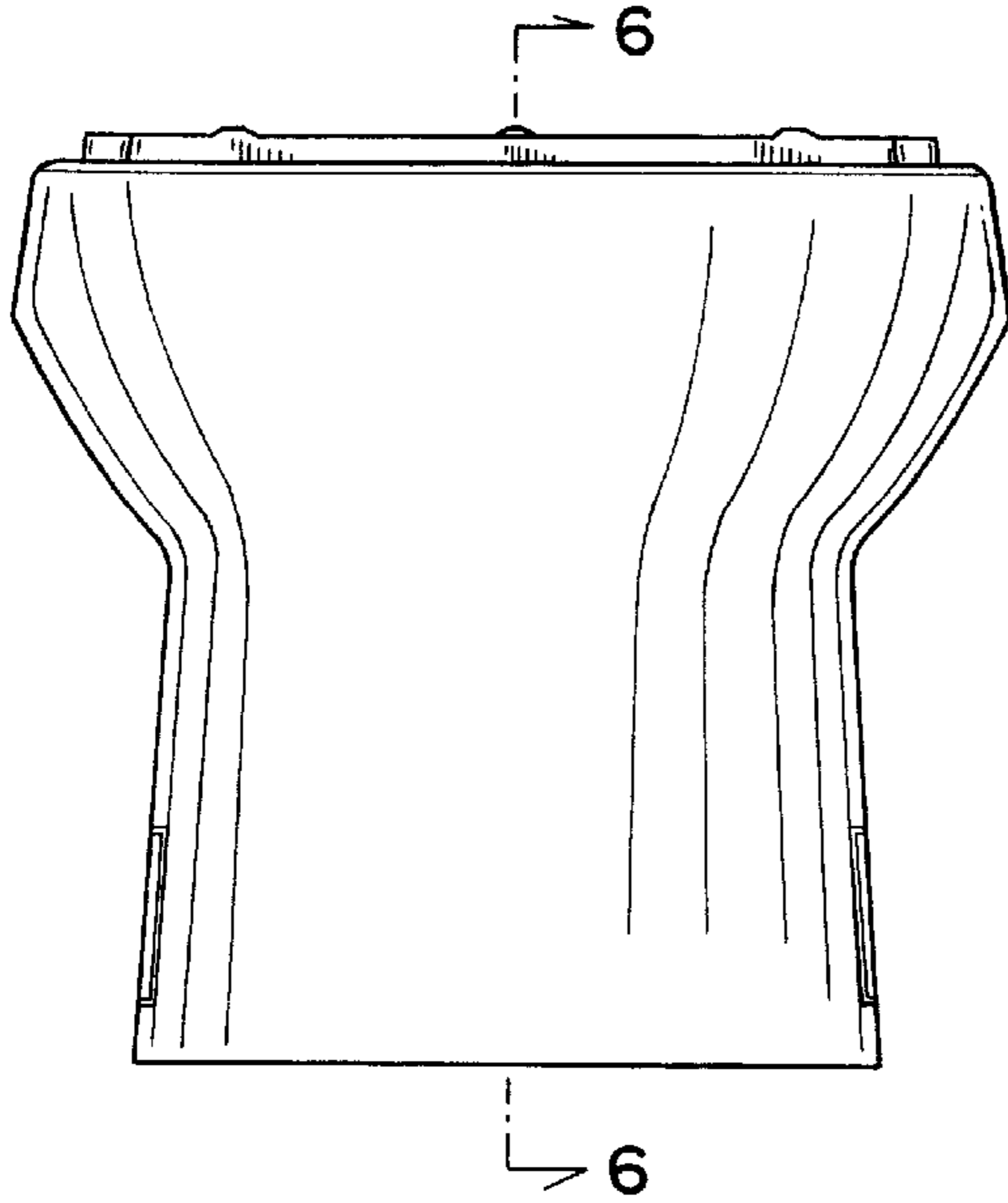


FIG. 4

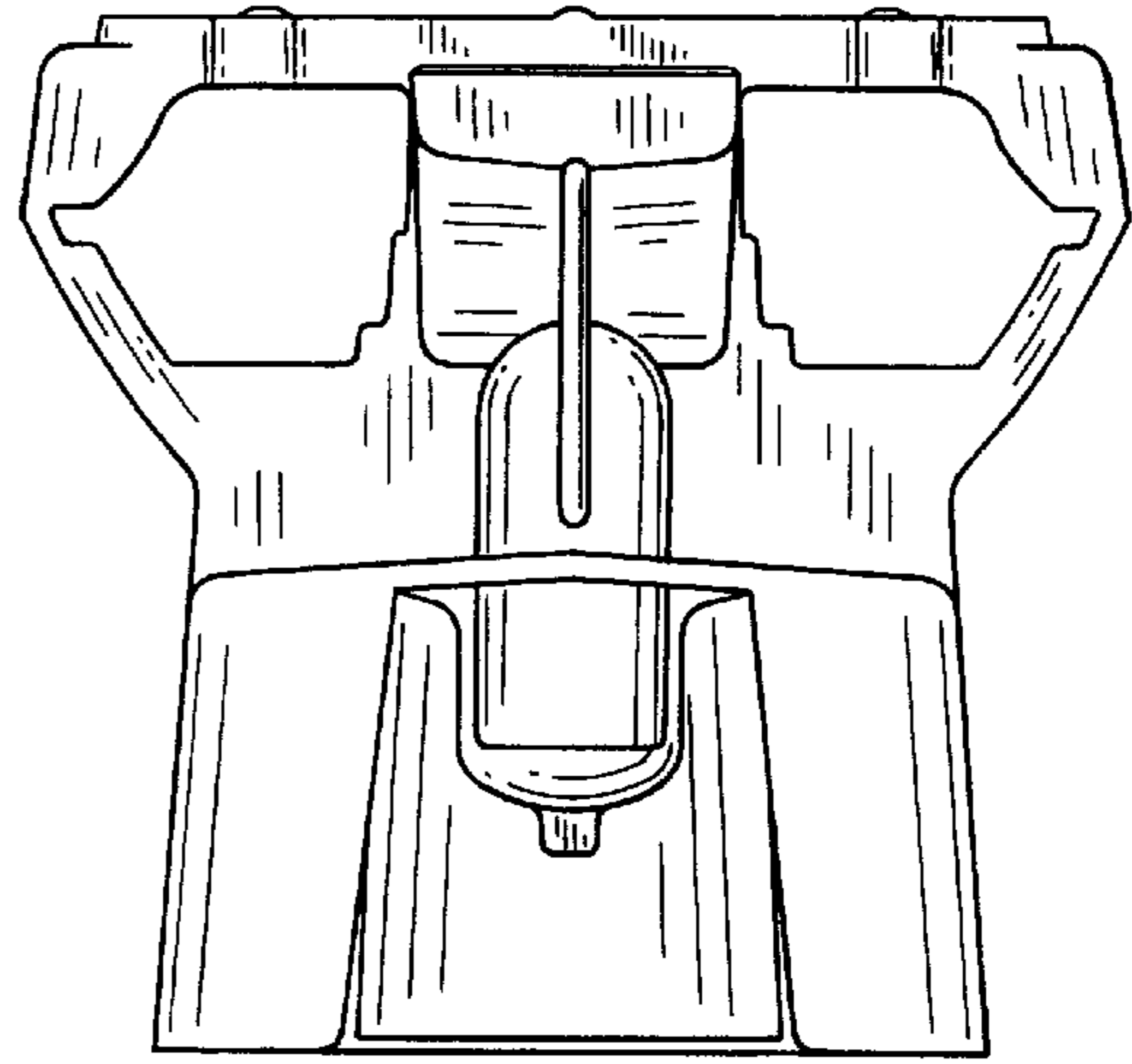


FIG. 5

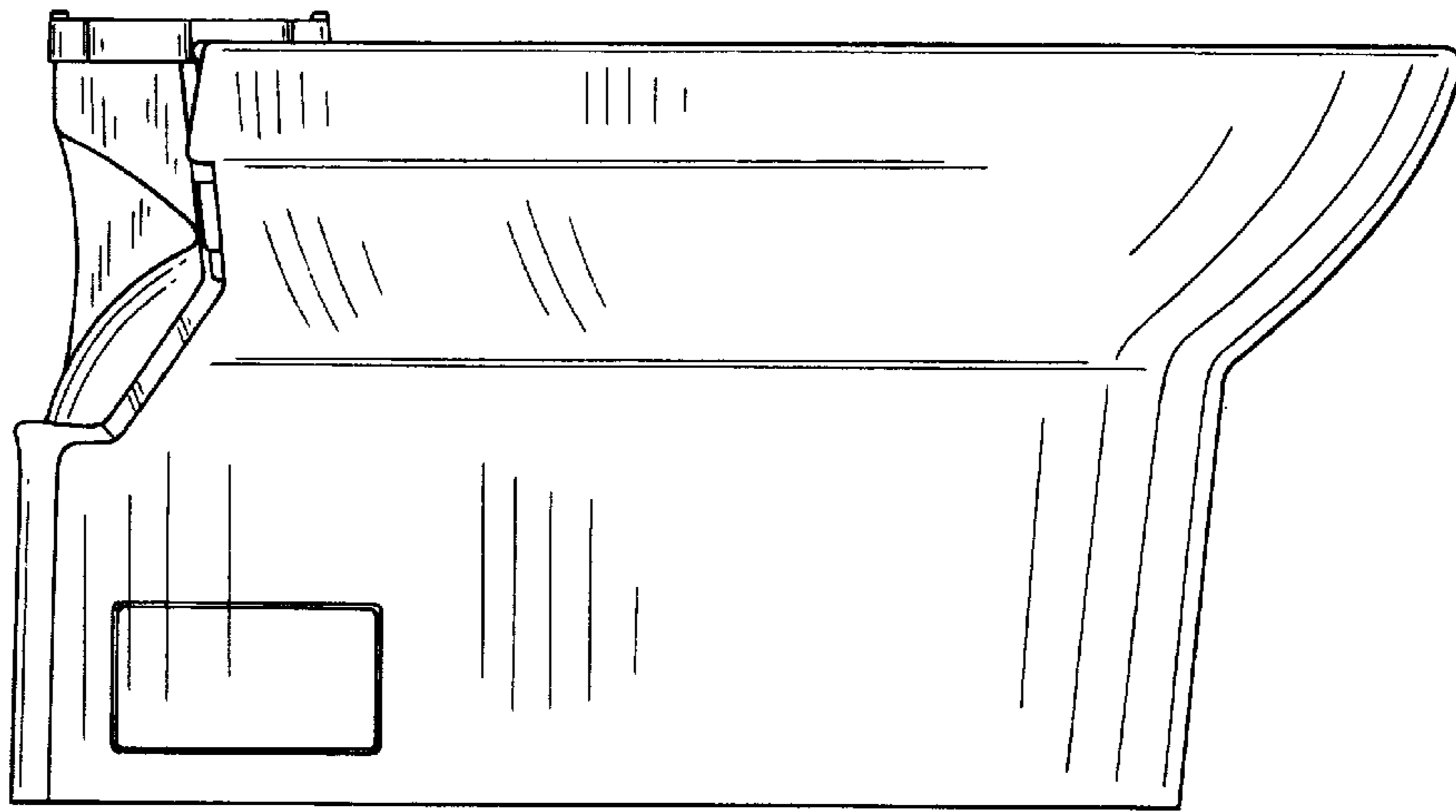


FIG. 6

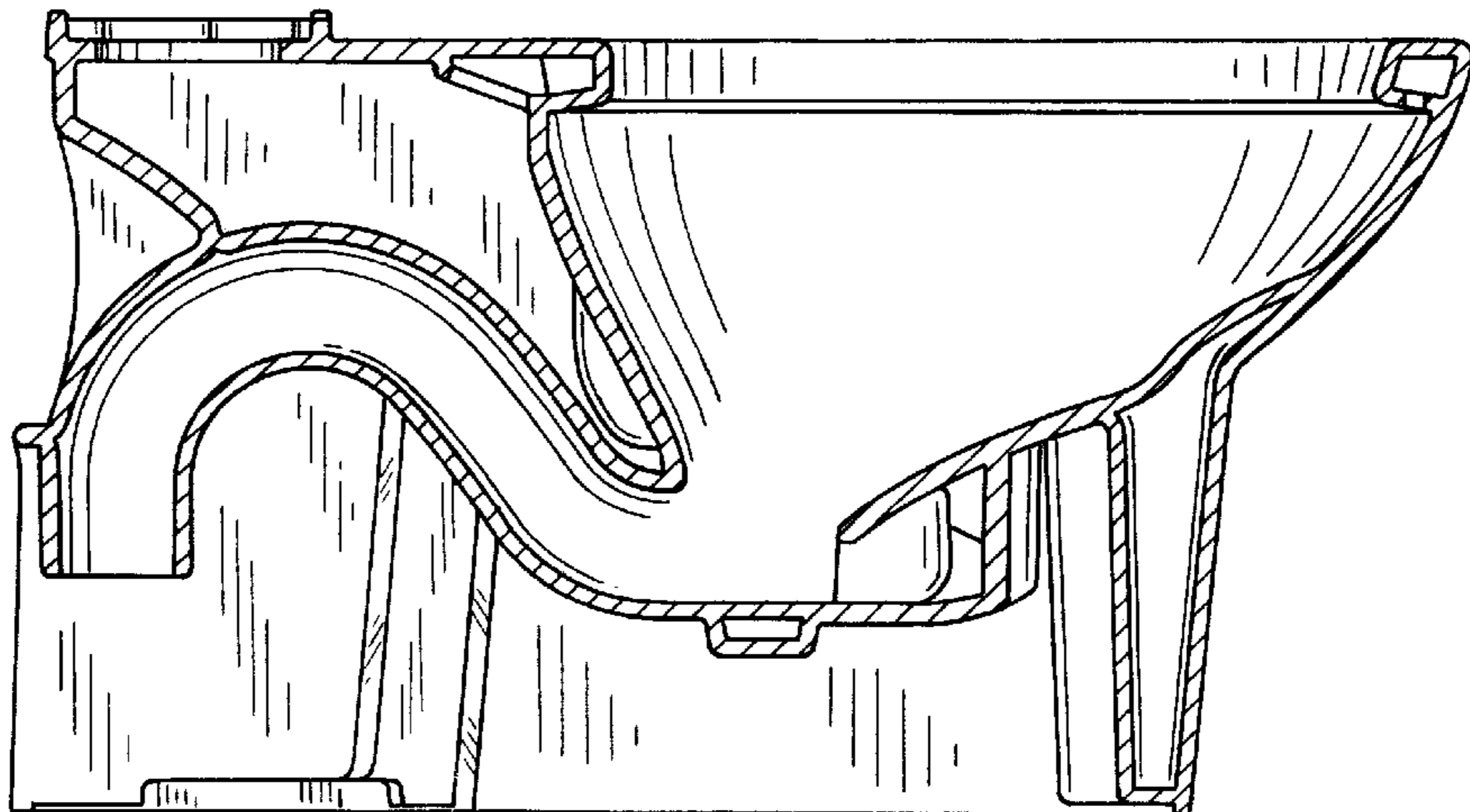


FIG. 7

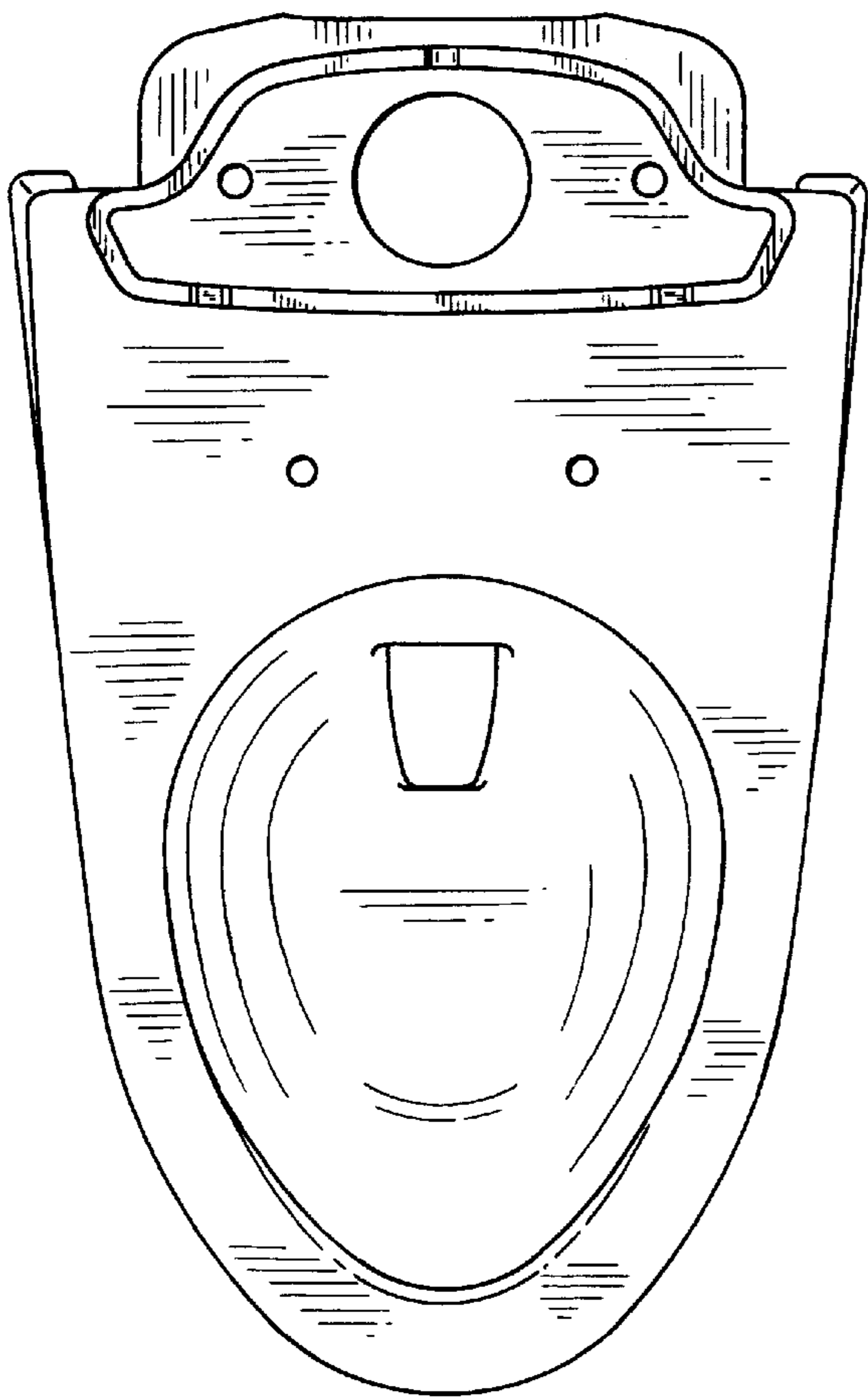


FIG. 8

