



US00D414850S

United States Patent [19] McKeone

[11] **Patent Number: Des. 414,850**

[45] **Date of Patent: ** Oct. 5, 1999**

[54] **BASE FOR BATHING AREA**

[75] Inventor: **William C. McKeone**, Sheboygan, Wis.

[73] Assignee: **Kohler Co.**, Kohler, Wis.

[**] Term: **14 Years**

[21] Appl. No.: **29/099,103**

[22] Filed: **Jan. 13, 1999**

[51] **LOC (6) Cl. 23-02**

[52] **U.S. Cl. D23/283**

[58] **Field of Search D23/275, 277,
D23/279, 280.1-280.4; 4/596, 600-612**

[56] **References Cited**

U.S. PATENT DOCUMENTS

| | | | | |
|------------|--------|-----------------|-------|---------|
| D. 335,336 | 5/1993 | Stiefel | | D23/283 |
| D. 337,154 | 7/1993 | Simpson | | D23/270 |
| D. 338,260 | 8/1993 | Bengtson et al. | | D23/283 |
| D. 354,117 | 1/1995 | Nations | | D23/283 |
| D. 367,522 | 2/1996 | Debs | | D23/283 |
| D. 378,696 | 4/1997 | Bonnell et al. | | D23/283 |
| D. 392,724 | 3/1998 | Lenardon | | D23/283 |
| D. 405,874 | 2/1999 | Jahnke et al. | | D23/283 |

OTHER PUBLICATIONS

1987 Kohler catalog ad, p. 9, showing a shower receptor.
1986 Cesame ad showing shower receptors.
Kohler catalog, ad, p. 10.14, showing a "Memoirs" shower receptor (Applicant reserves the right to determine its publication date and whether it is prior art).

1997 Kohler catalog ad, p. 10.15, showing "Profile" shower receptors.

Primary Examiner—Eric Watterson
Attorney, Agent, or Firm—Quarles & Brady LLP

[57] **CLAIM**

The ornamental design for a base for bathing area, as shown and described.

DESCRIPTION

FIG. 1 is a top, front perspective view of a base for bathing area embodying my new design;

FIG. 2 is a top plan view thereof;

FIG. 3 is a front elevational view thereof;

FIG. 4 is a rear elevational view thereof;

FIG. 5 is a right side elevational view thereof, the left side elevational view being a mirror image of the right side shown; and,

FIG. 6 is a cross-sectional view thereof taken along line 6—6 of FIG. 2.

The broken line representations of a mounting environment in FIG. 1, of a hole in FIGS. 1, 2, 4, 5, and 6, and of support structure in FIGS. 5 and 6, are for the purpose of illustration only, and form no part of the claimed design.

1 Claim, 2 Drawing Sheets

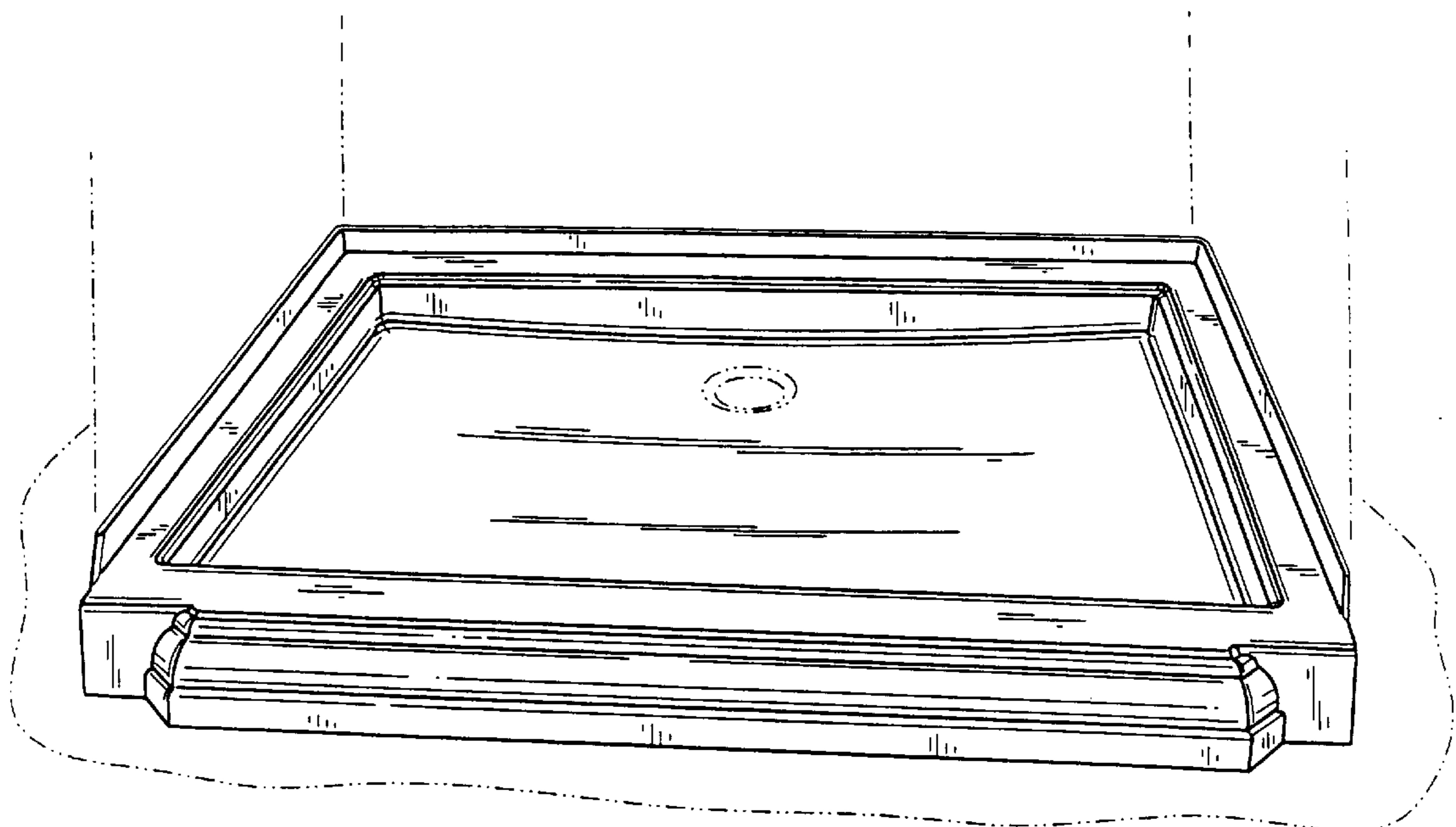


FIG. 1

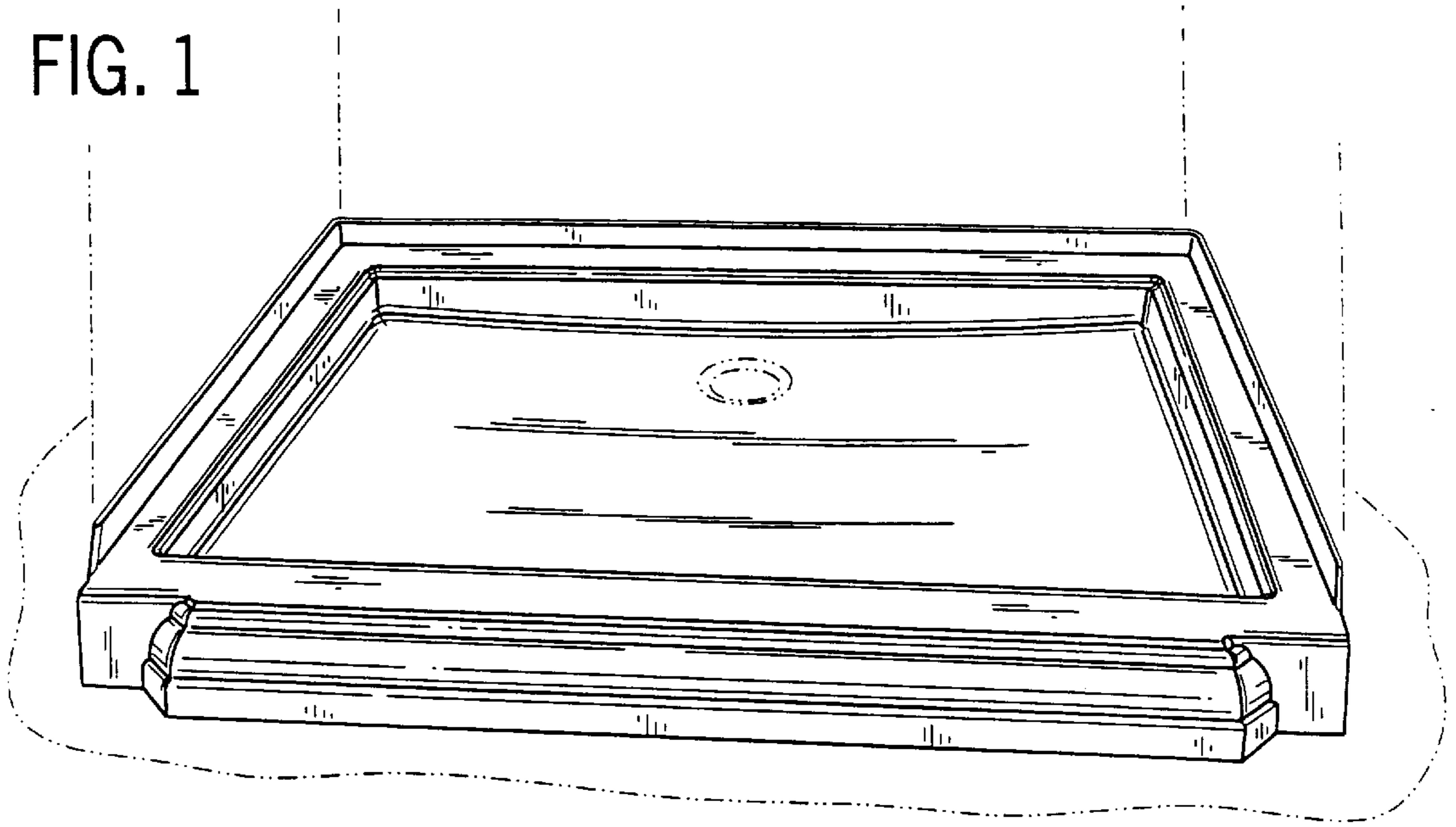


FIG. 2

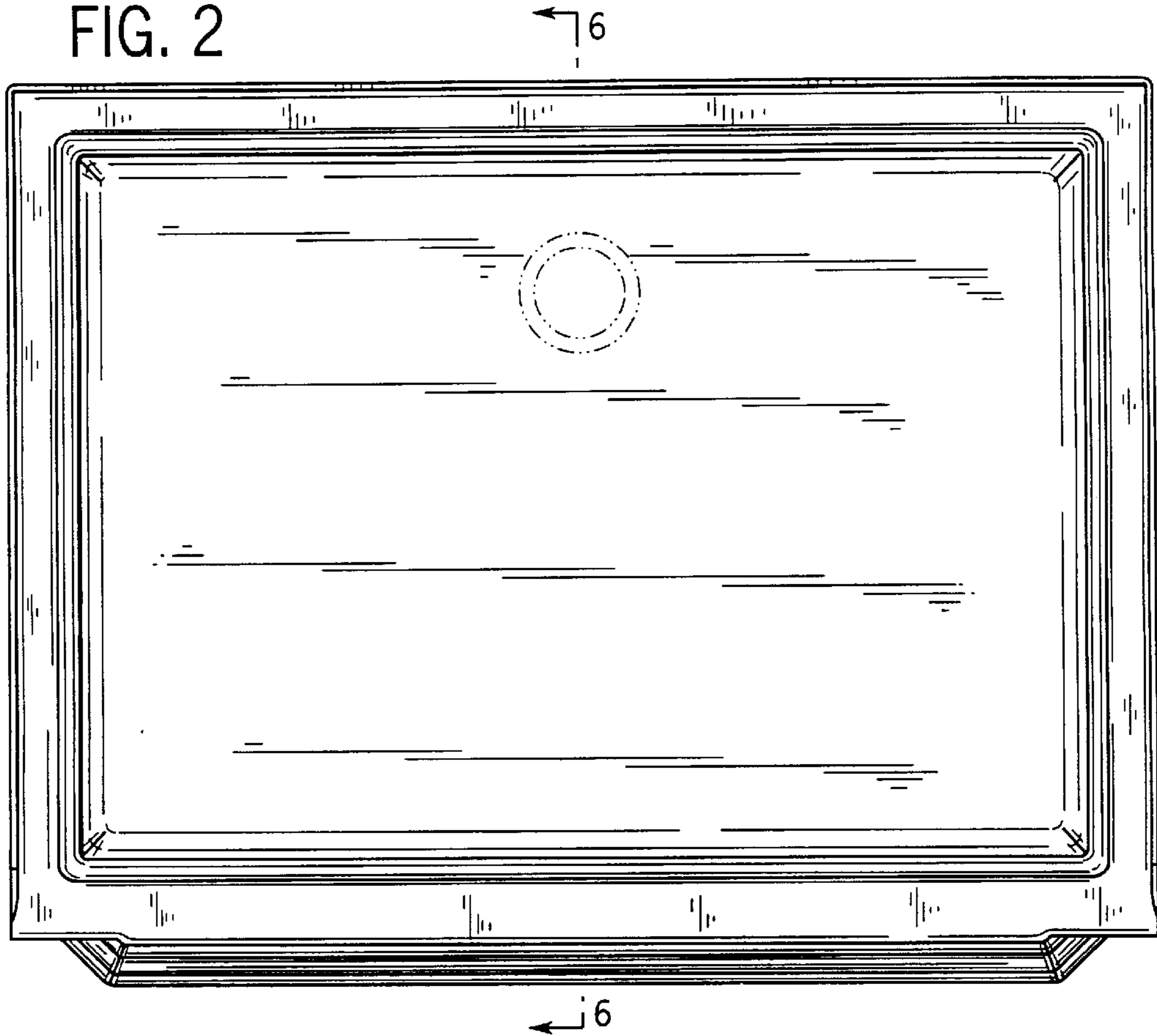


FIG. 3

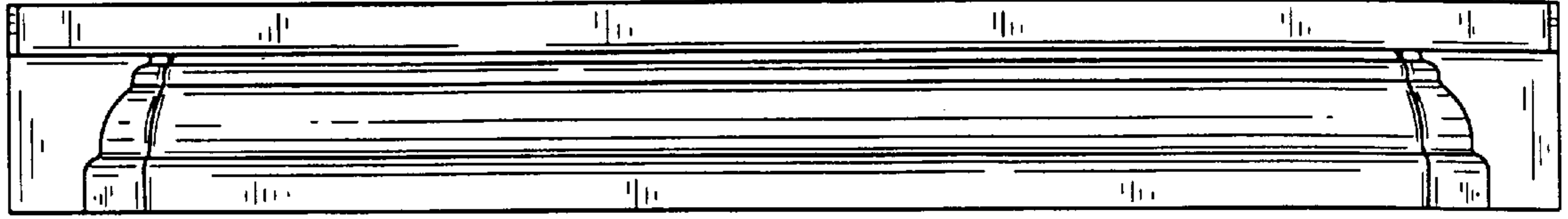


FIG. 4

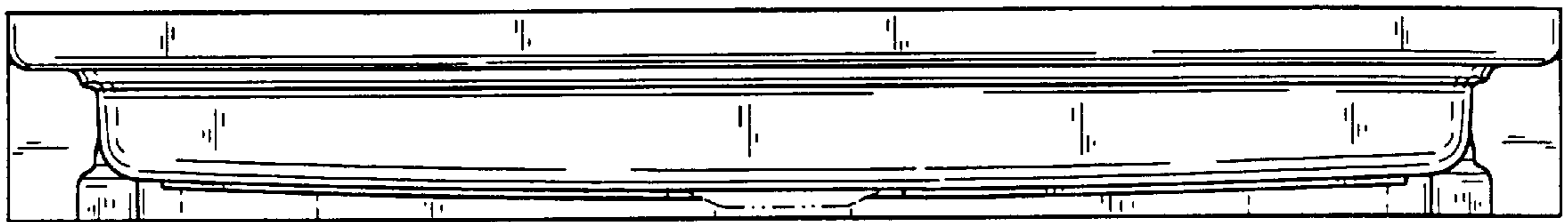


FIG. 5

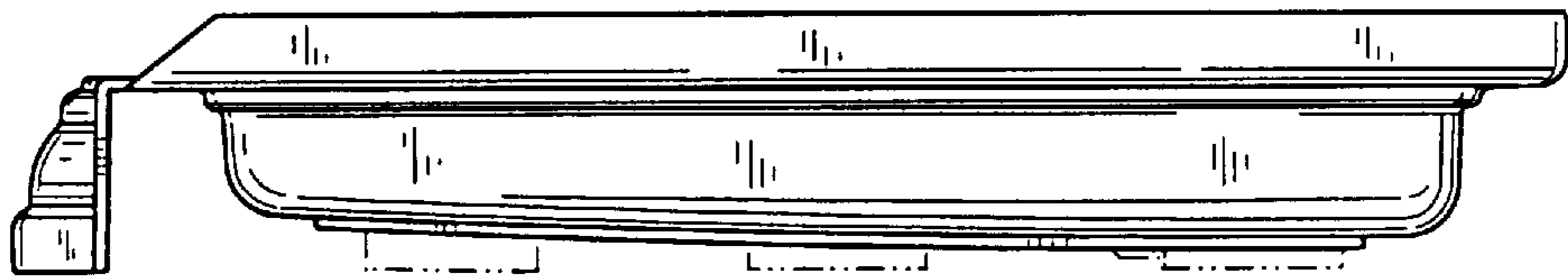


FIG. 6

