



US00D414848S

**United States Patent** [19]  
**Lord**

[11] **Patent Number: Des. 414,848**  
[45] **Date of Patent: \*\* Oct. 5, 1999**

[54] **HAND HELD PULL-OUT SPRAY**  
[75] Inventor: **Judd A. Lord**, Carmel, Ind.  
[73] Assignee: **Masco Corporation of Indiana**, Indianapolis, Ind.  
[\*\*] Term: **14 Years**  
[21] Appl. No.: **29/091,190**  
[22] Filed: **Jul. 23, 1998**  
[51] **LOC (6) Cl.** ..... **23-01**  
[52] **U.S. Cl.** ..... **D23/255**  
[58] **Field of Search** ..... D23/238-243,  
D23/250-257, 300-311, 213; 4/191, 192,  
567-615, 675-678

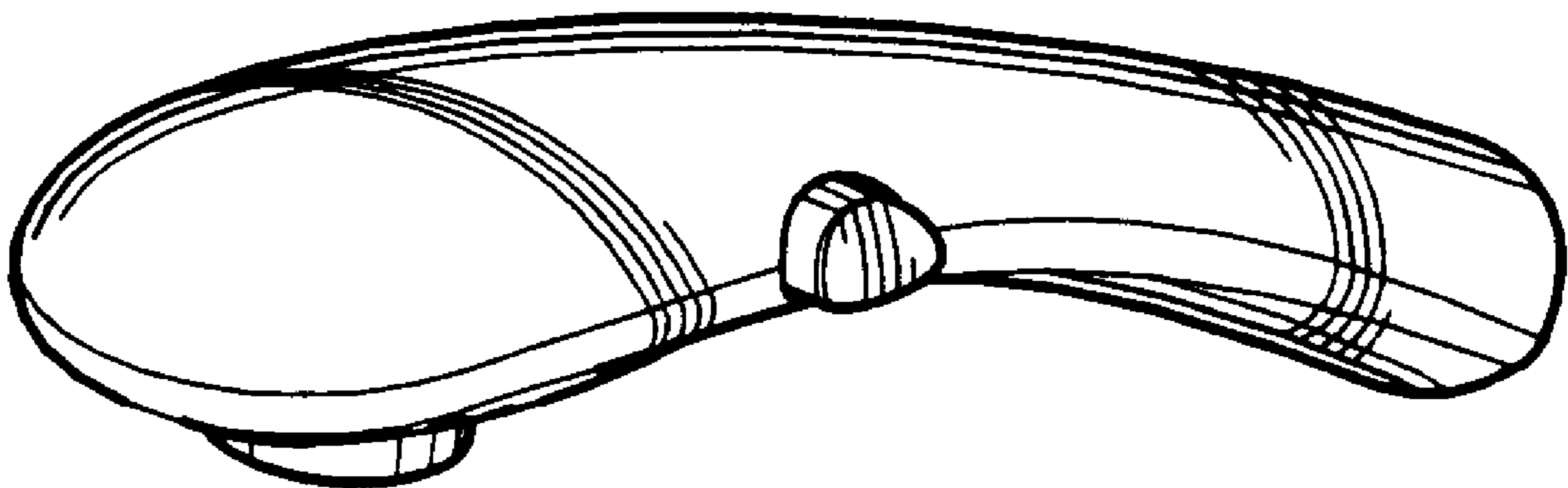
[56] **References Cited**  
**U.S. PATENT DOCUMENTS**  
D. 227,363 6/1973 Genaro .  
D. 261,027 9/1981 Klose ..... D23/255  
D. 266,785 11/1982 Thompson ..... D23/255  
D. 271,706 12/1983 Fabian ..... D23/255

*Primary Examiner*—Louis S. Zarfaz  
*Assistant Examiner*—Eric M. Watterson  
*Attorney, Agent, or Firm*—Myron B. Kapustij; Leon E. Redman

[57] **CLAIM**  
The ornamental design for a hand held pull-out spray, as shown and described.

**DESCRIPTION**  
FIG. 1 is a top, front perspective view of a hand held pull-out spray showing my new design;  
FIG. 2 is a top, rear perspective view thereof;  
FIG. 3 is a top plan view thereof;  
FIG. 4 is a right side elevational view, the left side being a mirror image thereof;  
FIG. 5 is a rear elevational view thereof;  
FIG. 6 is a front elevational view thereof;  
FIG. 7 is a bottom plan view thereof;  
FIG. 8 is a top, front perspective view of a second embodiment of the hand held pull-out spray, differing from the embodiment of FIG. 1 in that it has a longer handle;  
FIG. 9 is a right side elevational view of the pull-out spray illustrated in FIG. 8, the left side being a mirror image;  
FIG. 10 is a top, front perspective view of a third embodiment of the hand held pull-out spray, differing from the embodiment of FIG. 1 in that it has a shorter handle; and,  
FIG. 11 is a right side elevational view of the pull-out spray illustrated in FIG. 10, the left side being a mirror image.

**1 Claim, 3 Drawing Sheets**



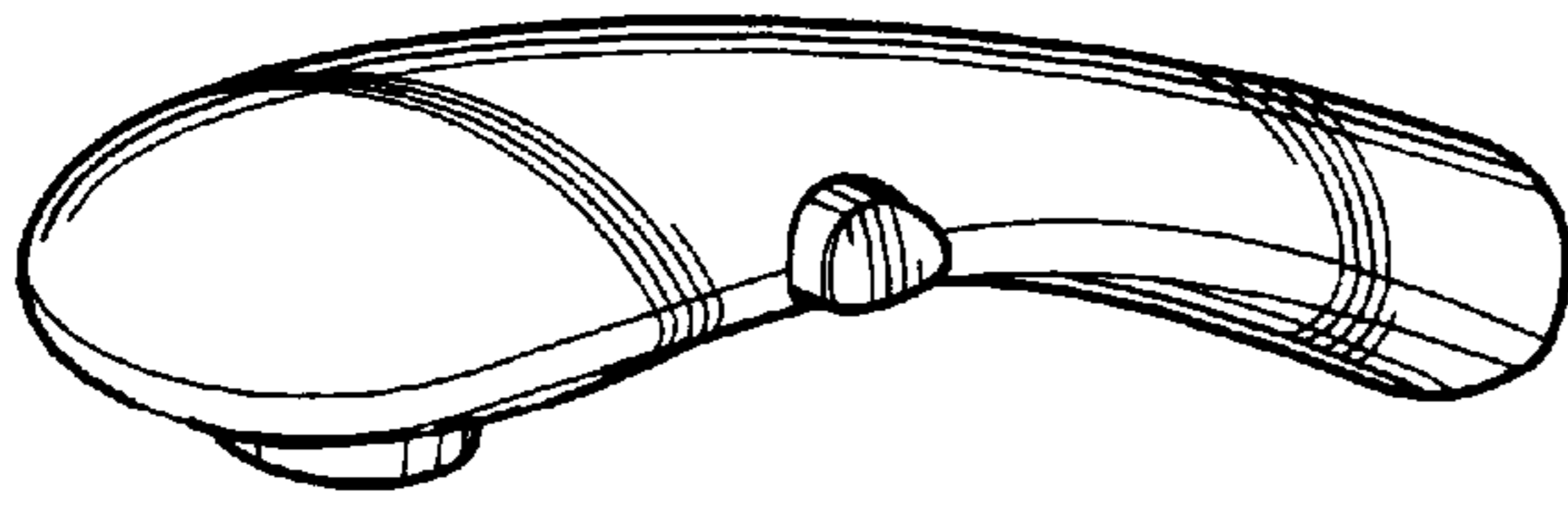


Fig-1

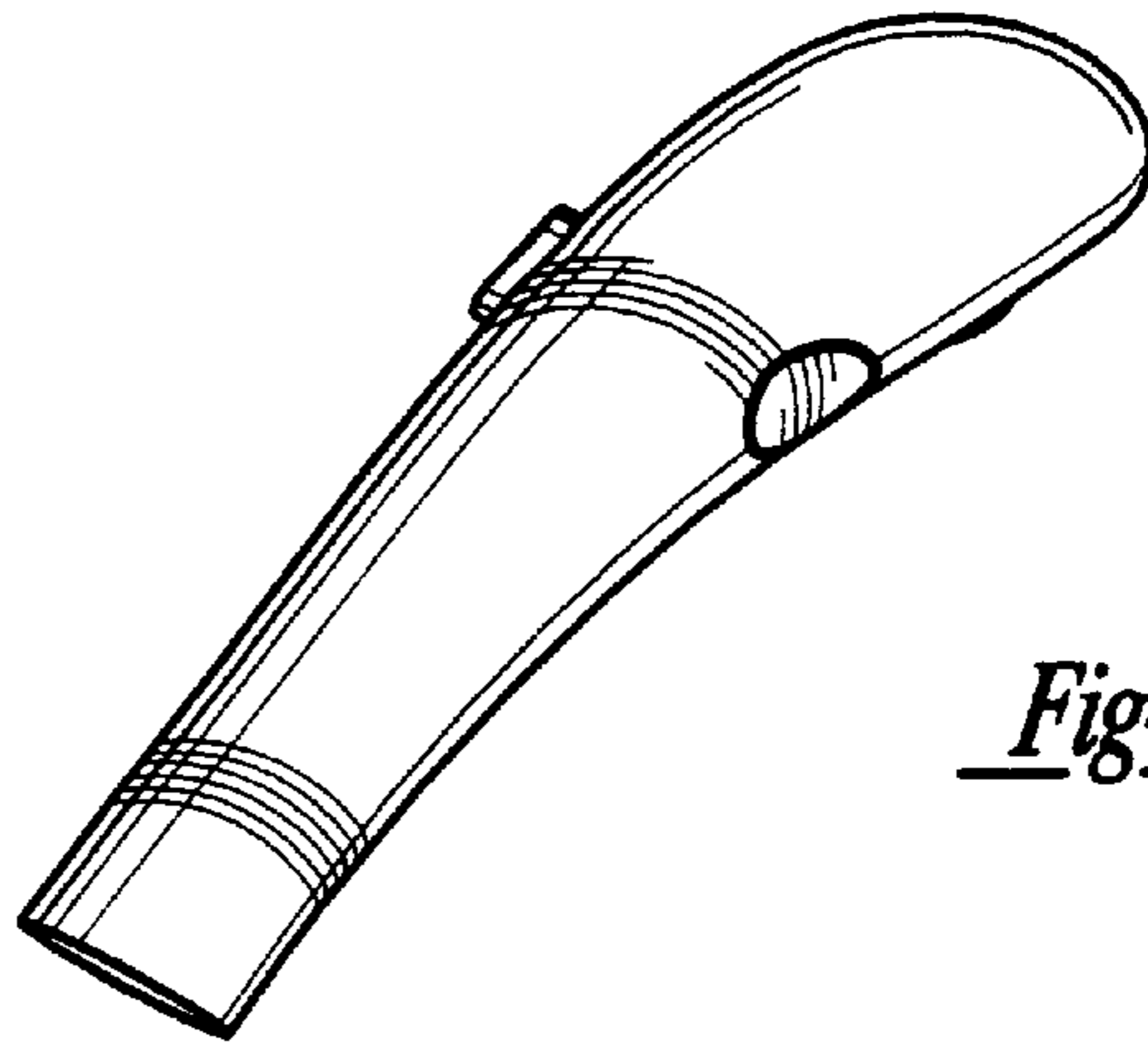


Fig-2

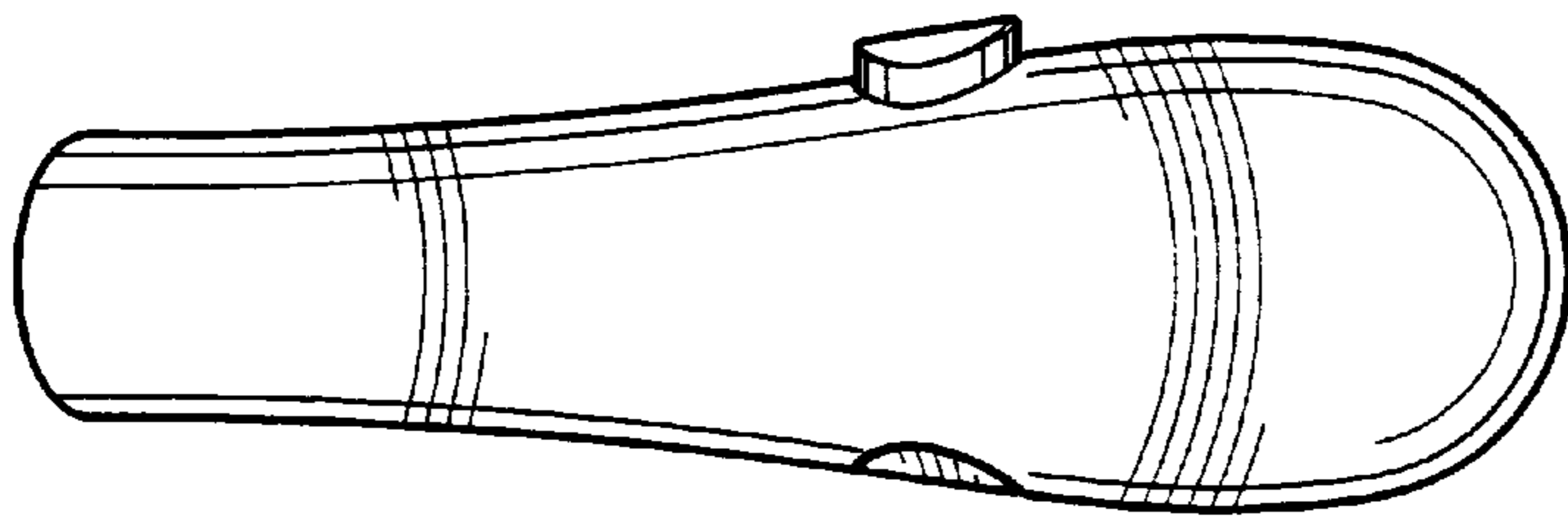


Fig-3

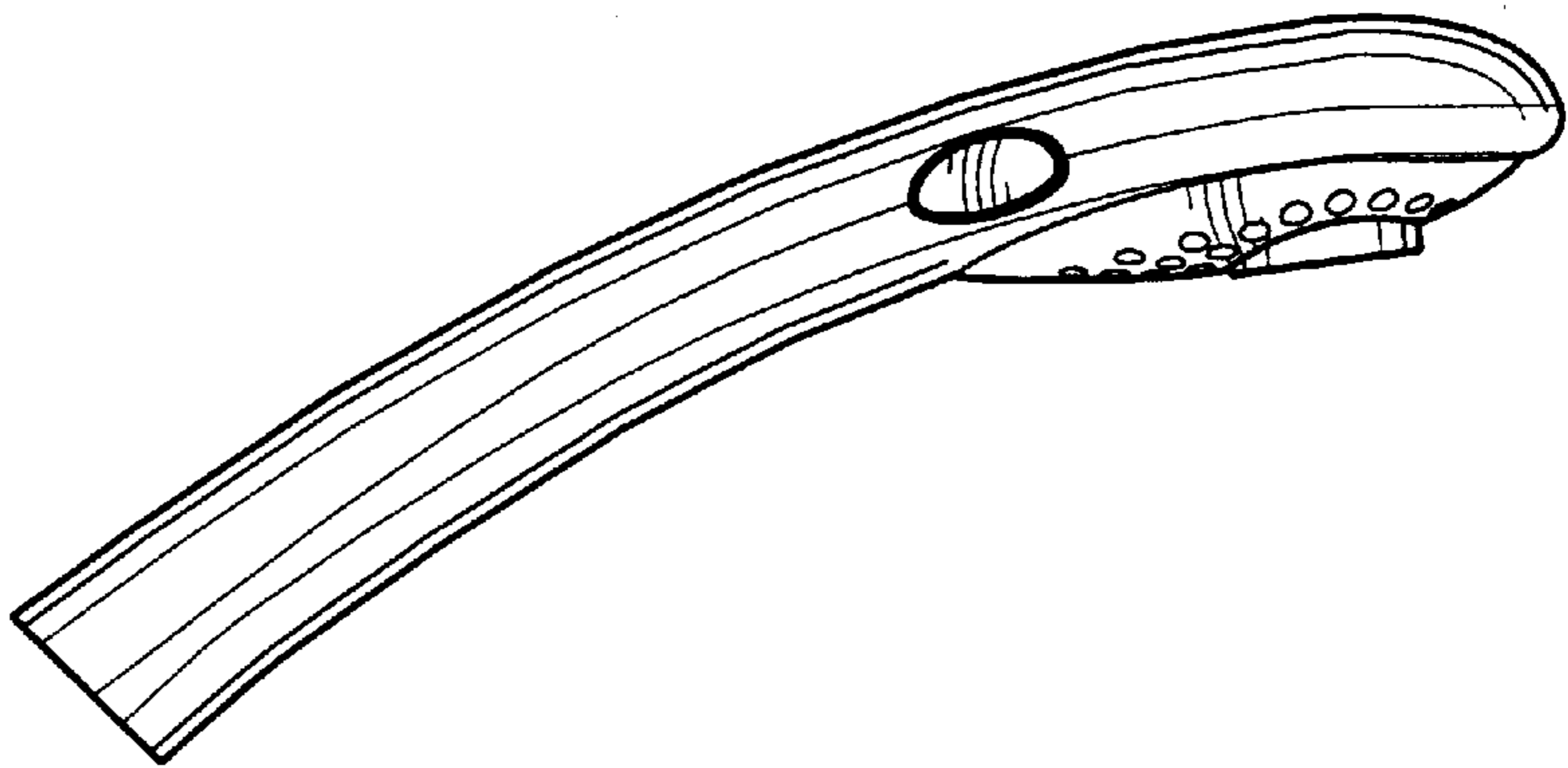


Fig-4

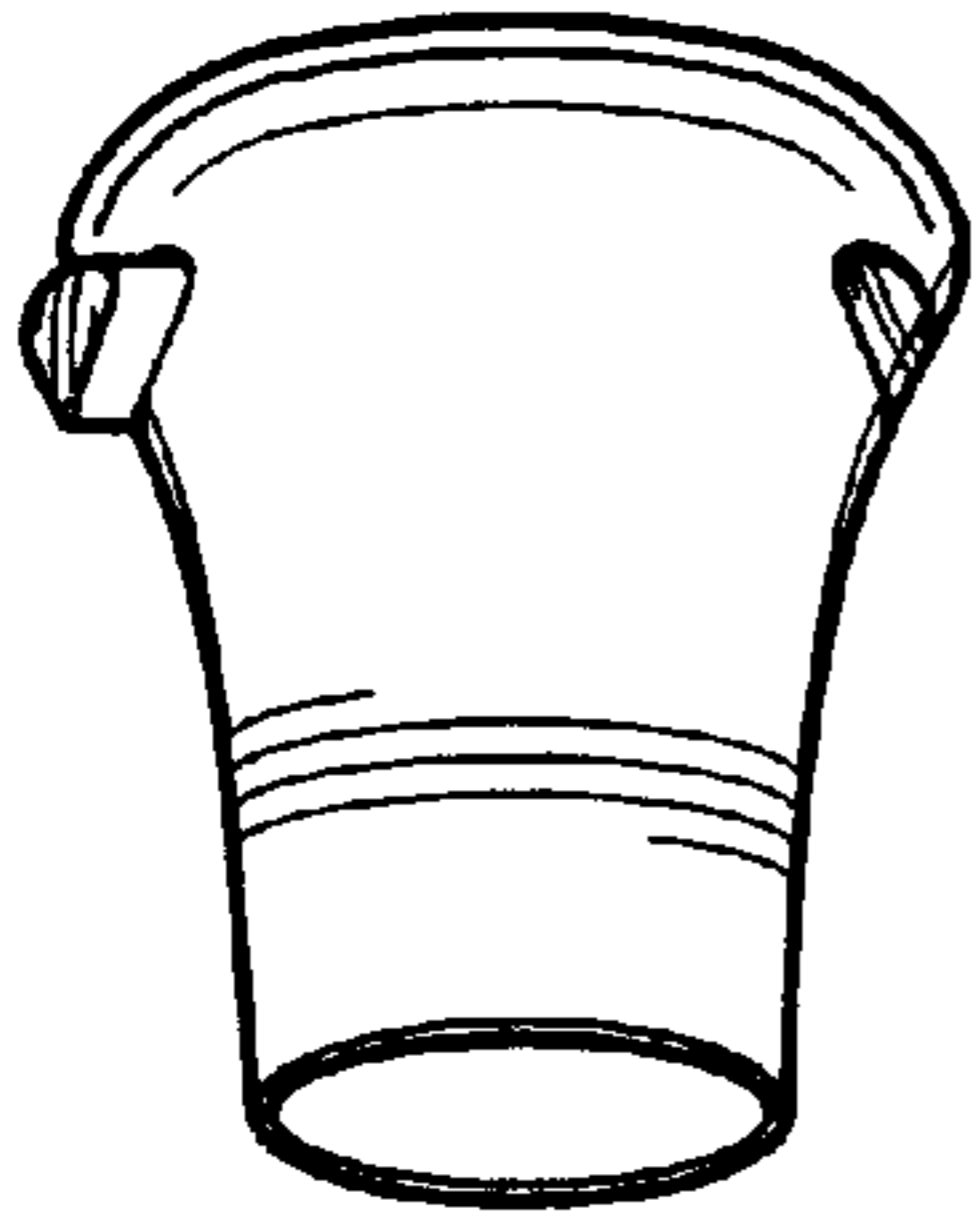


Fig-5

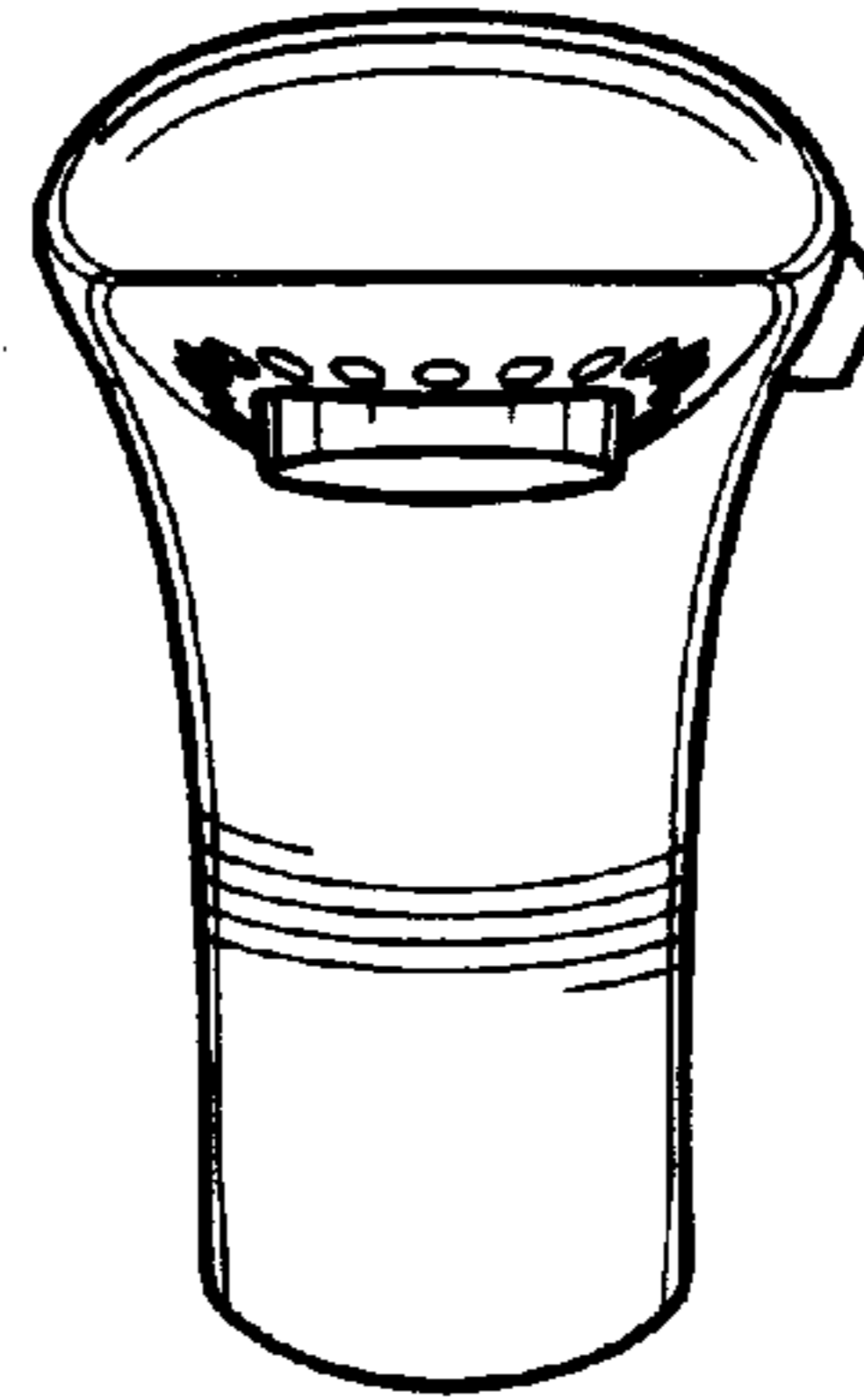


Fig-6

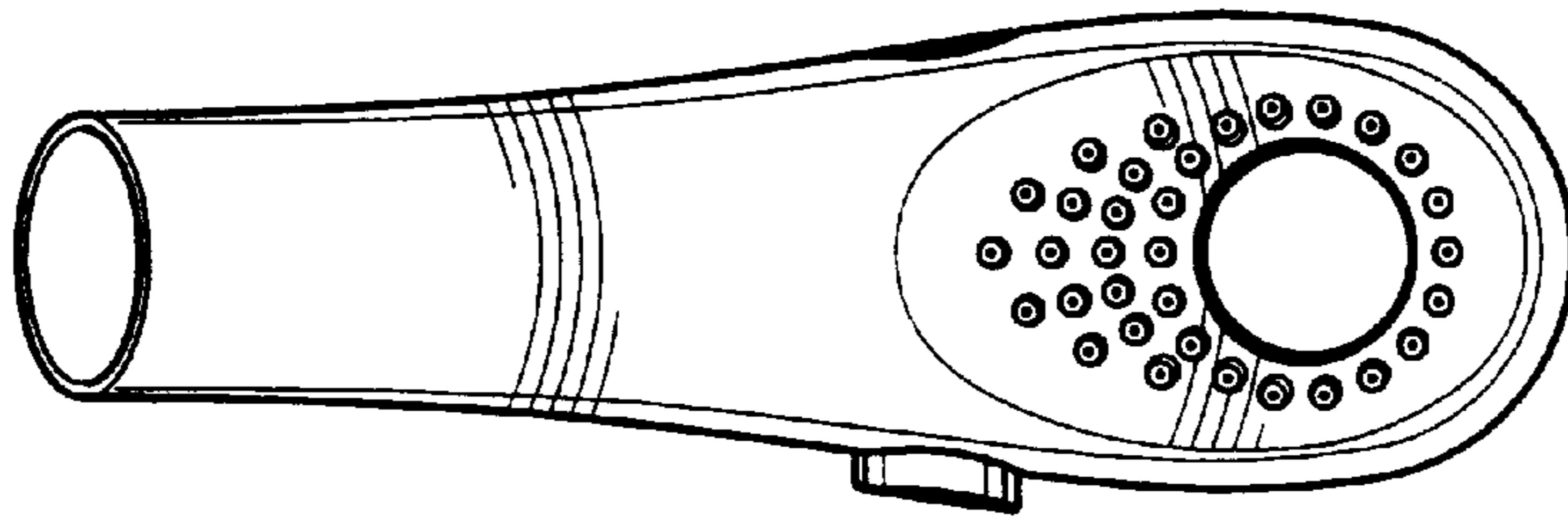


Fig-7

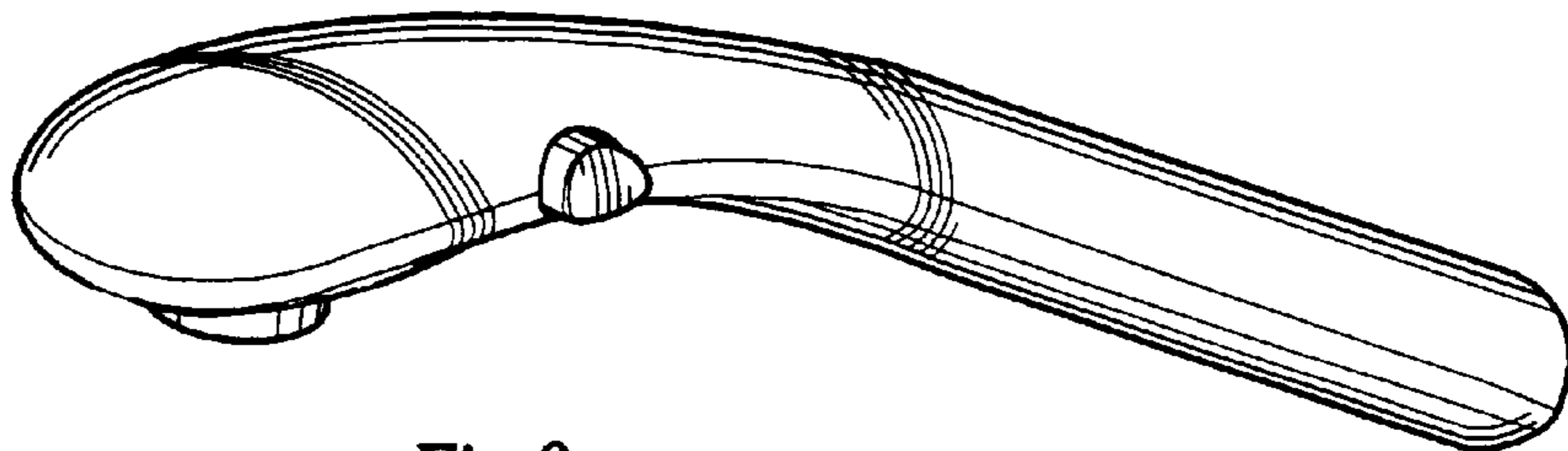


Fig-8

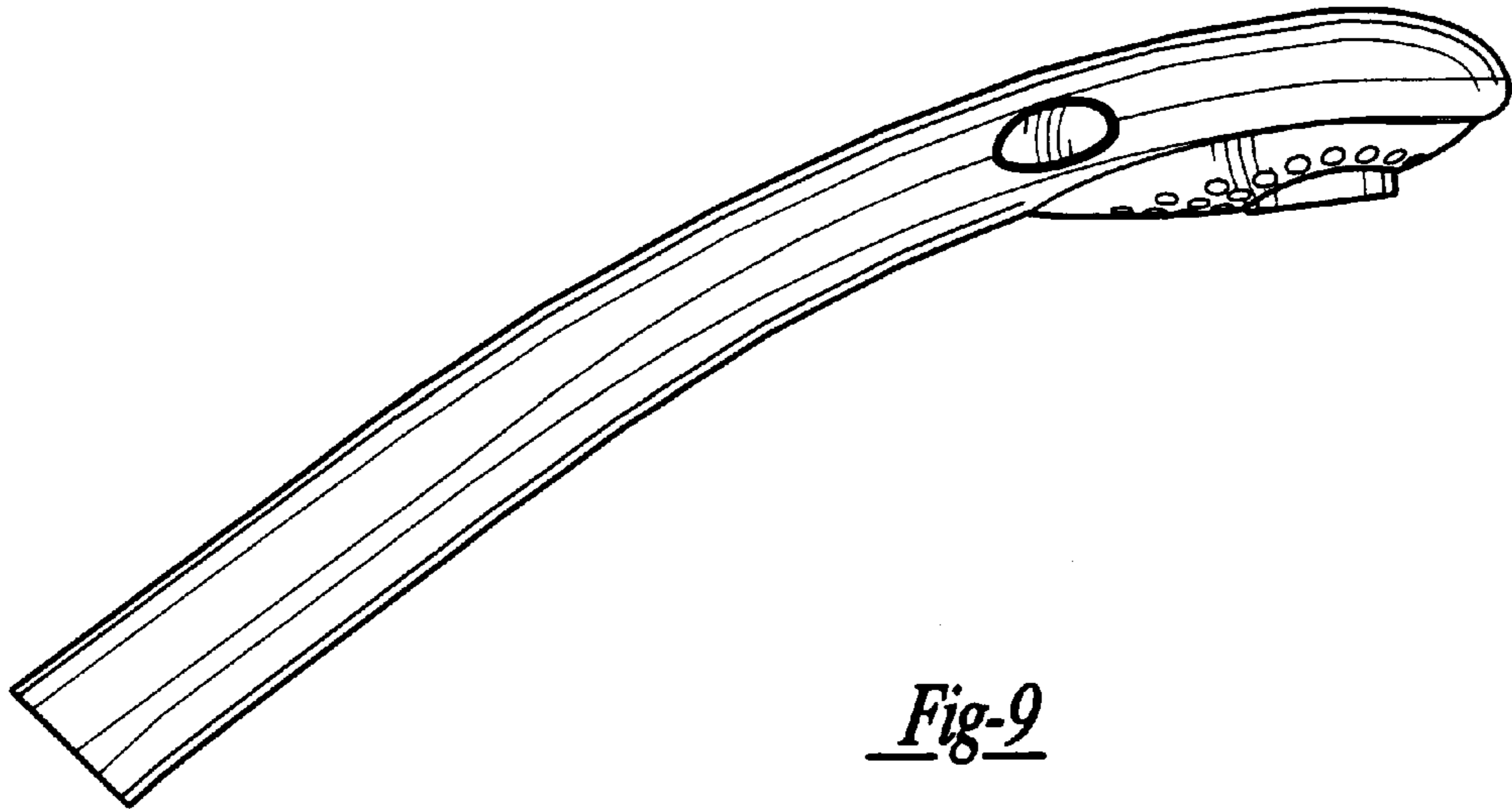


Fig-9

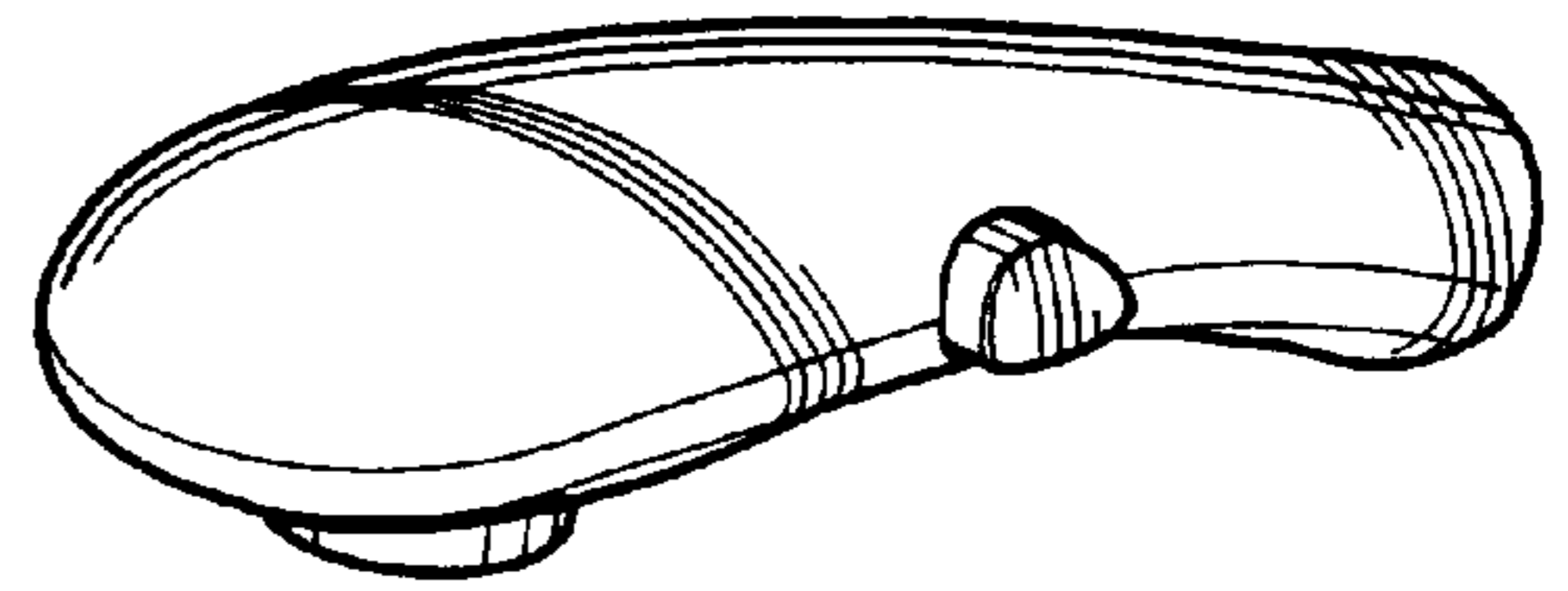


Fig-10

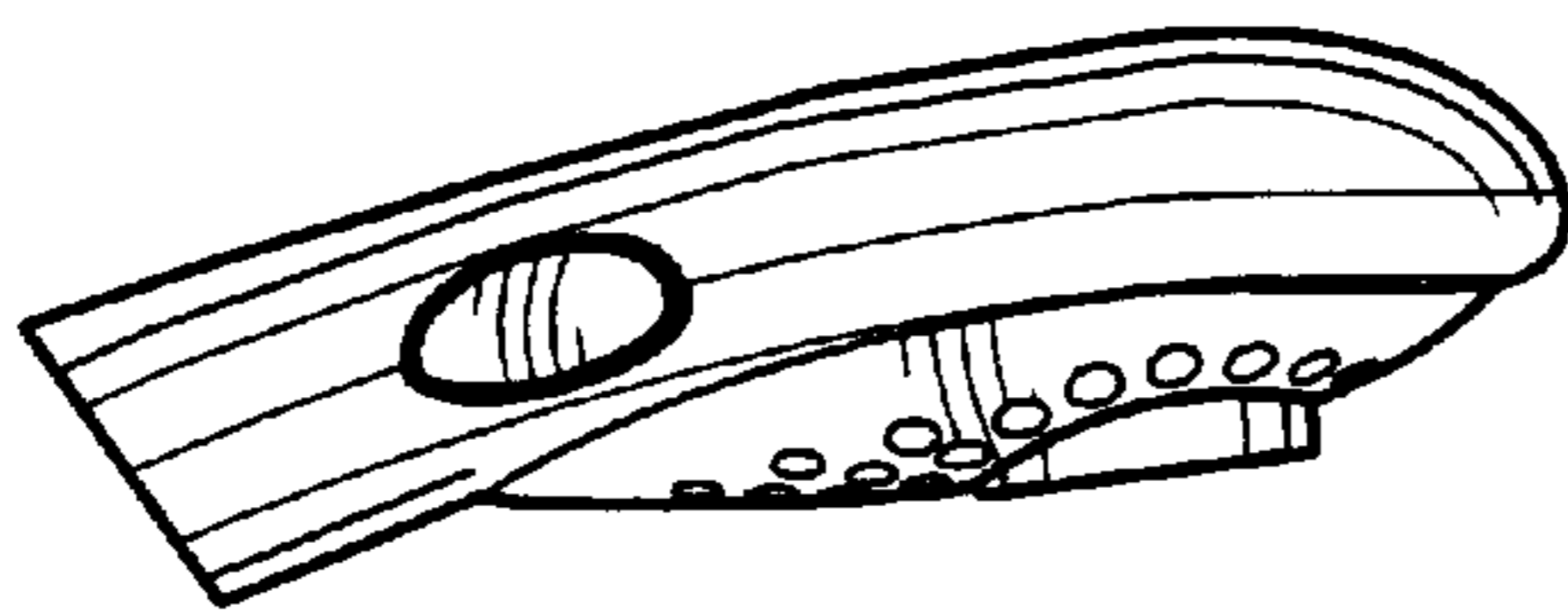


Fig-11