



US00D414845S

United States Patent [19] Hyde

[11] **Patent Number: Des. 414,845**

[45] **Date of Patent: ** Oct. 5, 1999**

[54] **FAUCET HANDLE**

[75] Inventor: **John Hyde**, Flemington, N.J.

[73] Assignee: **American Standard Inc.**, Piscataway, N.J.

[**] Term: **14 Years**

[21] Appl. No.: **29/097,256**

[22] Filed: **Dec. 2, 1998**

Related U.S. Application Data

[62] Division of application No. 29/060,366, Sep. 27, 1996, Pat. No. Des. 409,288.

[51] **LOC (6) Cl.** **23-01**

[52] **U.S. Cl.** **D23/250**

[58] **Field of Search** D23/238-243,
D23/250-257; D8/300-310, 397; 4/675-678;
137/801; 16/110 R-121; 411/170, 178,
179, 180

[56] References Cited

U.S. PATENT DOCUMENTS

- D. 318,714 7/1991 Spangler D23/250
- D. 321,630 11/1991 Hollinger D7/679
- D. 325,958 5/1992 Stairs, Jr. et al. D23/250
- D. 327,531 6/1992 Ko D23/250
- D. 372,299 7/1996 Fabian D23/250

- D. 404,802 1/1999 Delker D23/252
- D. 405,508 2/1999 Doughty et al. D23/252
- D. 405,509 2/1999 Doughty et al. D23/252
- 923,447 6/1909 Schmidt .
- 962,083 6/1910 Graham .
- 1,625,404 10/1927 Wagenseller .
- 2,654,390 1/1953 Archer et al. 137/606

FOREIGN PATENT DOCUMENTS

866672 4/1961 United Kingdom .

OTHER PUBLICATIONS

Price Pfister Catalog (Stamped Date: Oct. 27, 1994).

Primary Examiner—Eric Watterson

[57] CLAIM

The ornamental design for a faucet handle, as shown and described.

DESCRIPTION

FIG. 1 is a perspective view of a faucet handle showing my new design;

FIG. 2 is a right side elevational view thereof, the left side view being a mirror image of the right side;

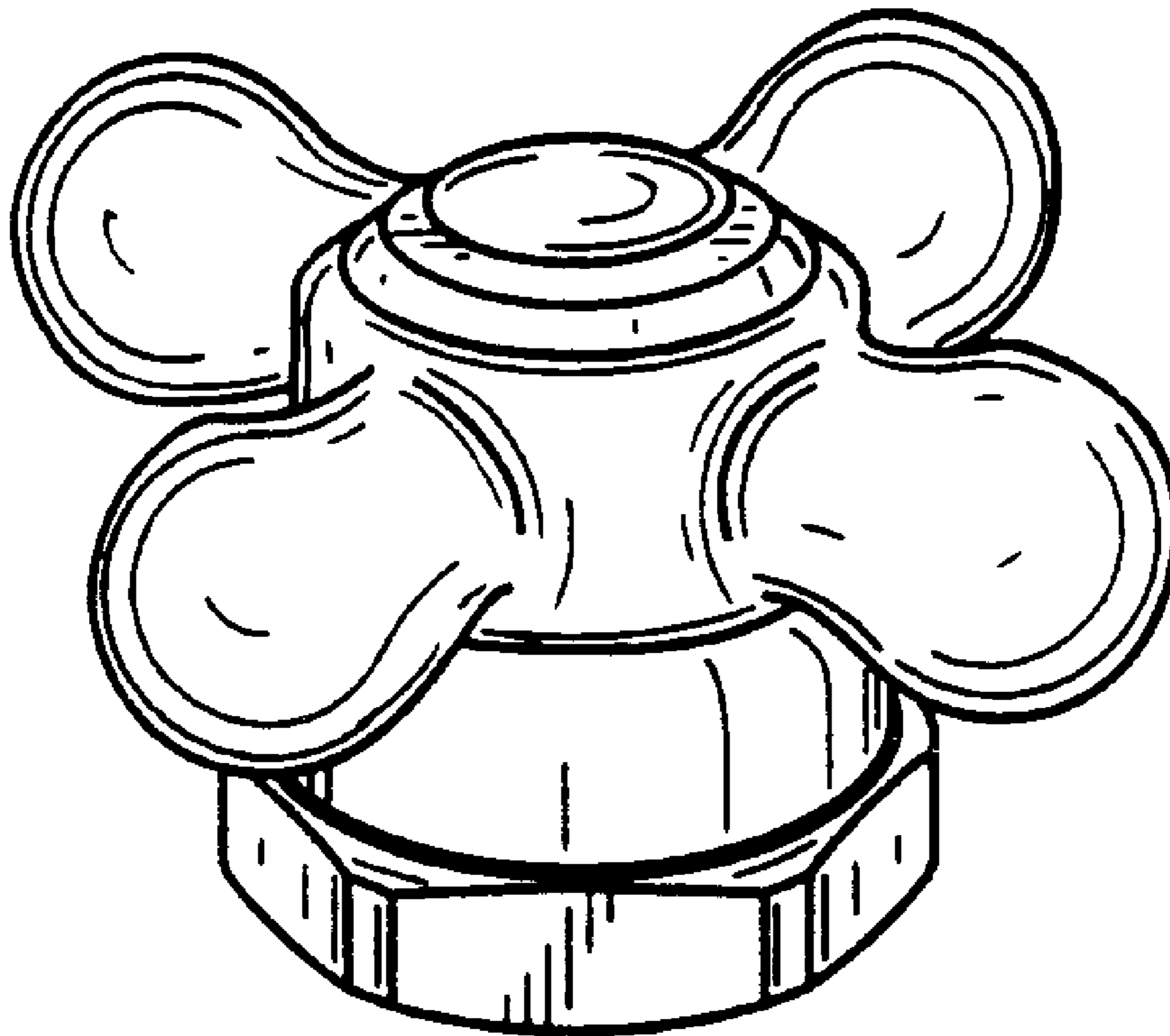
FIG. 3 is a top plan view thereof;

FIG. 4 is a bottom plan view thereof;

FIG. 5 is a front elevational view thereof; and,

FIG. 6 is a rear elevational view thereof.

1 Claim, 1 Drawing Sheet



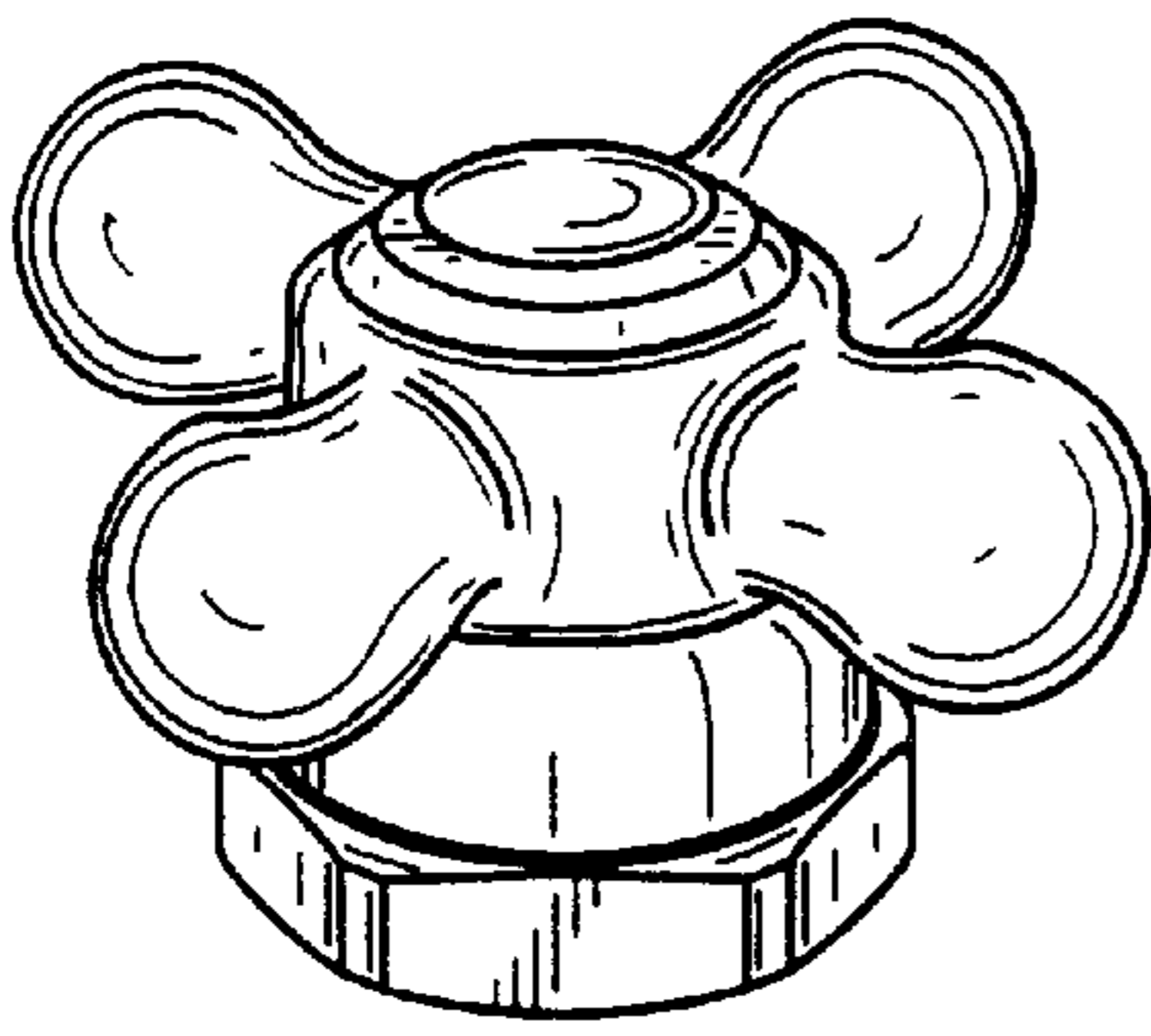


FIG. 1

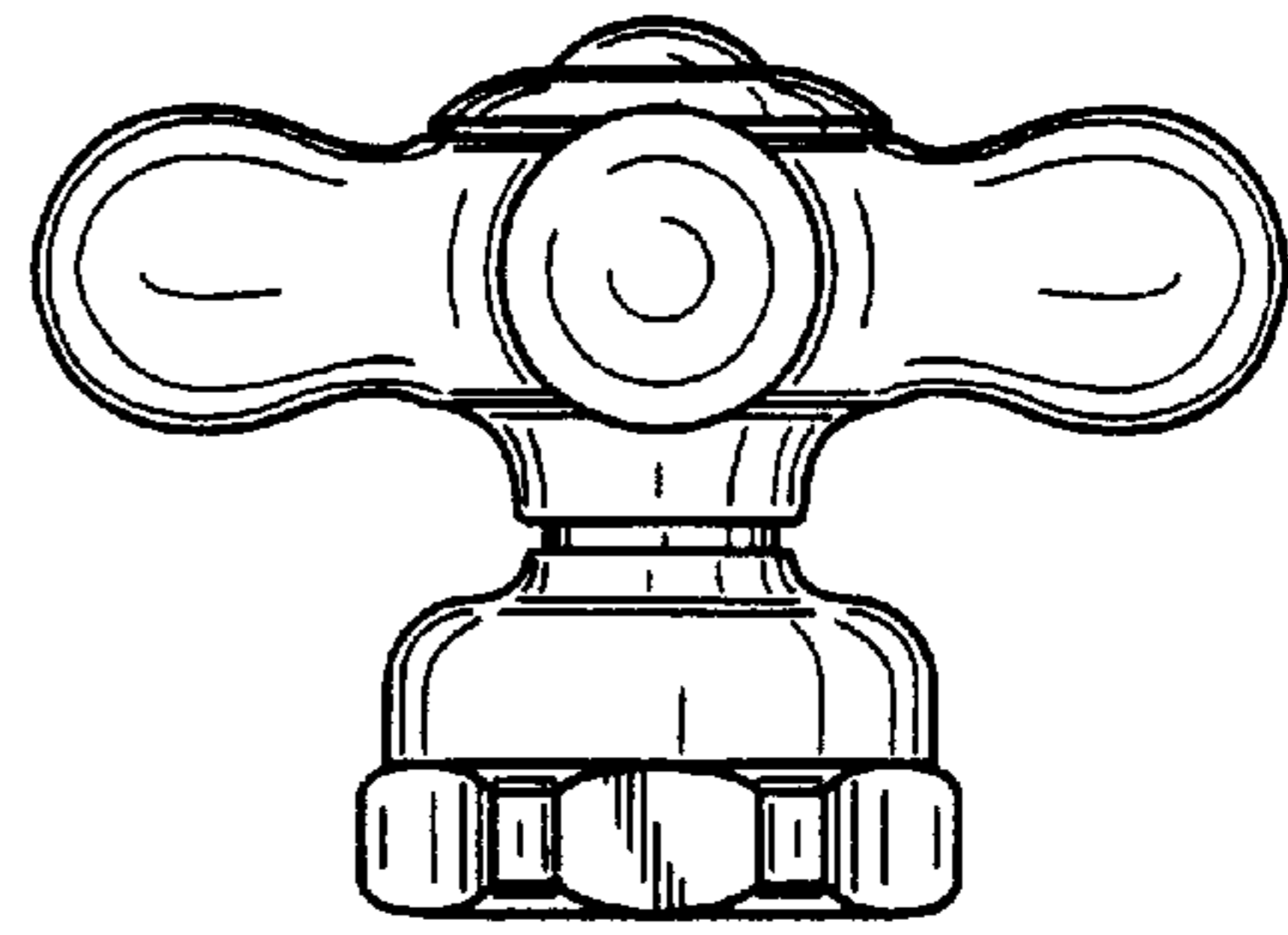


FIG. 2

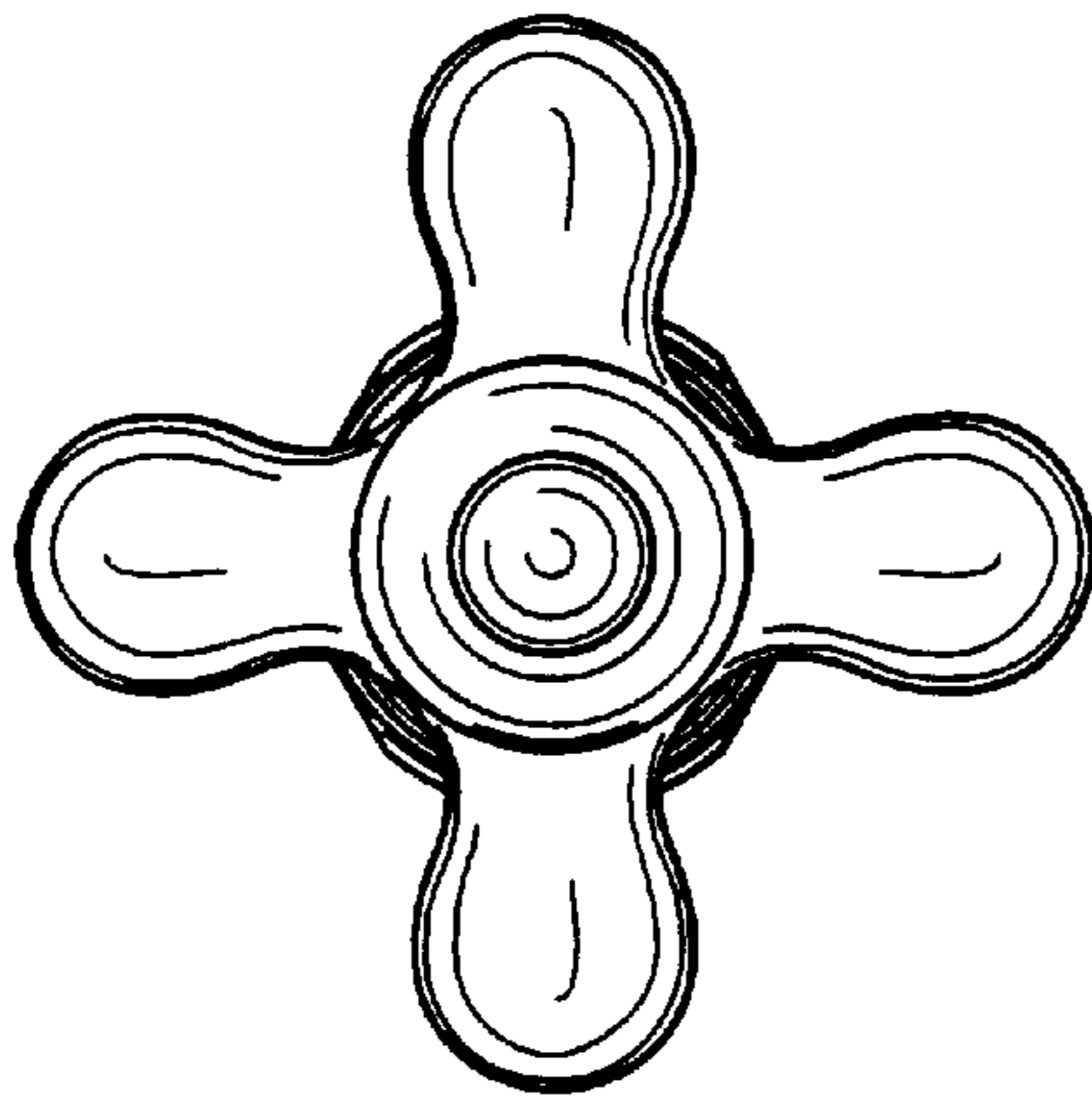


FIG. 3

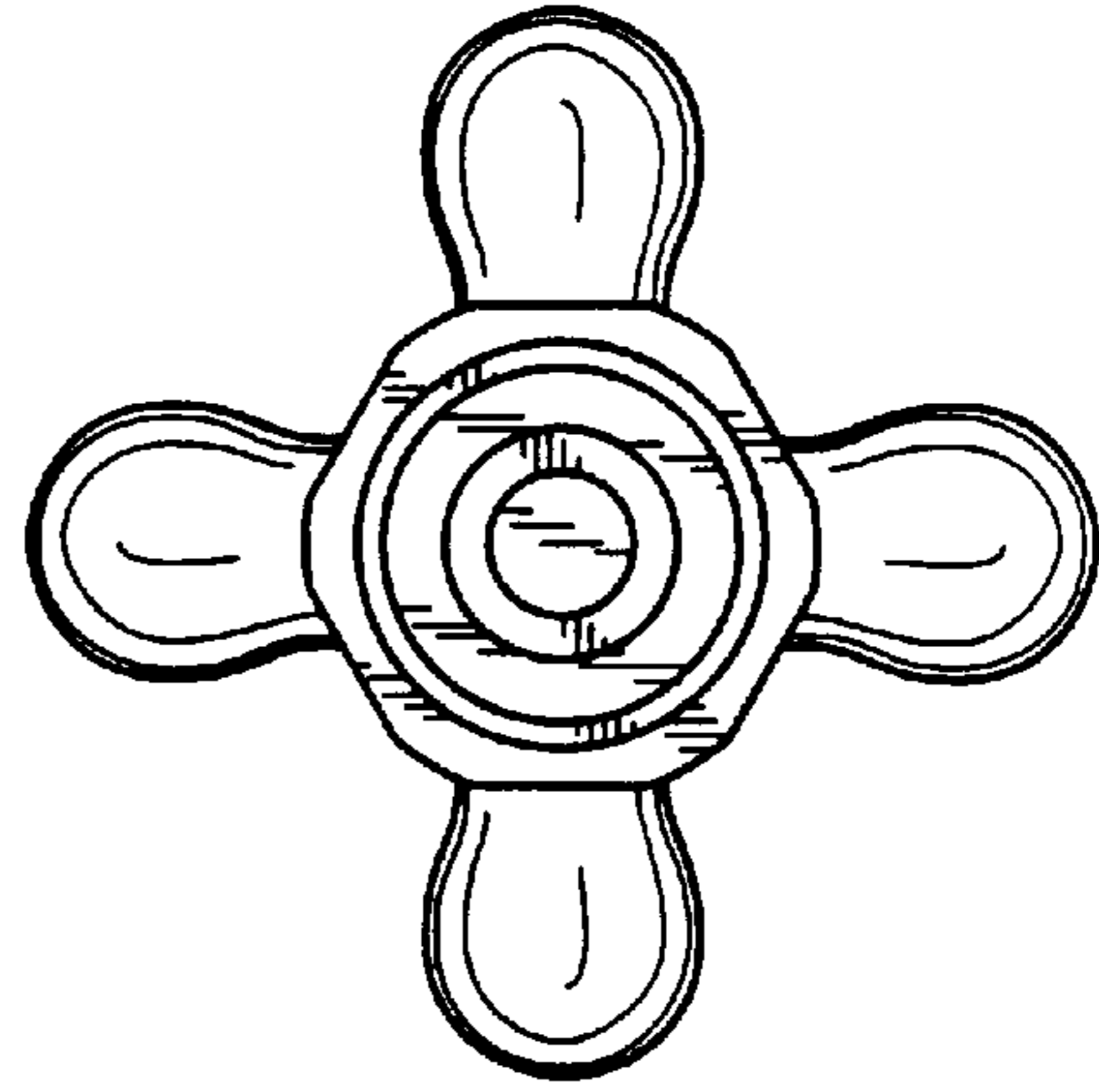


FIG. 4

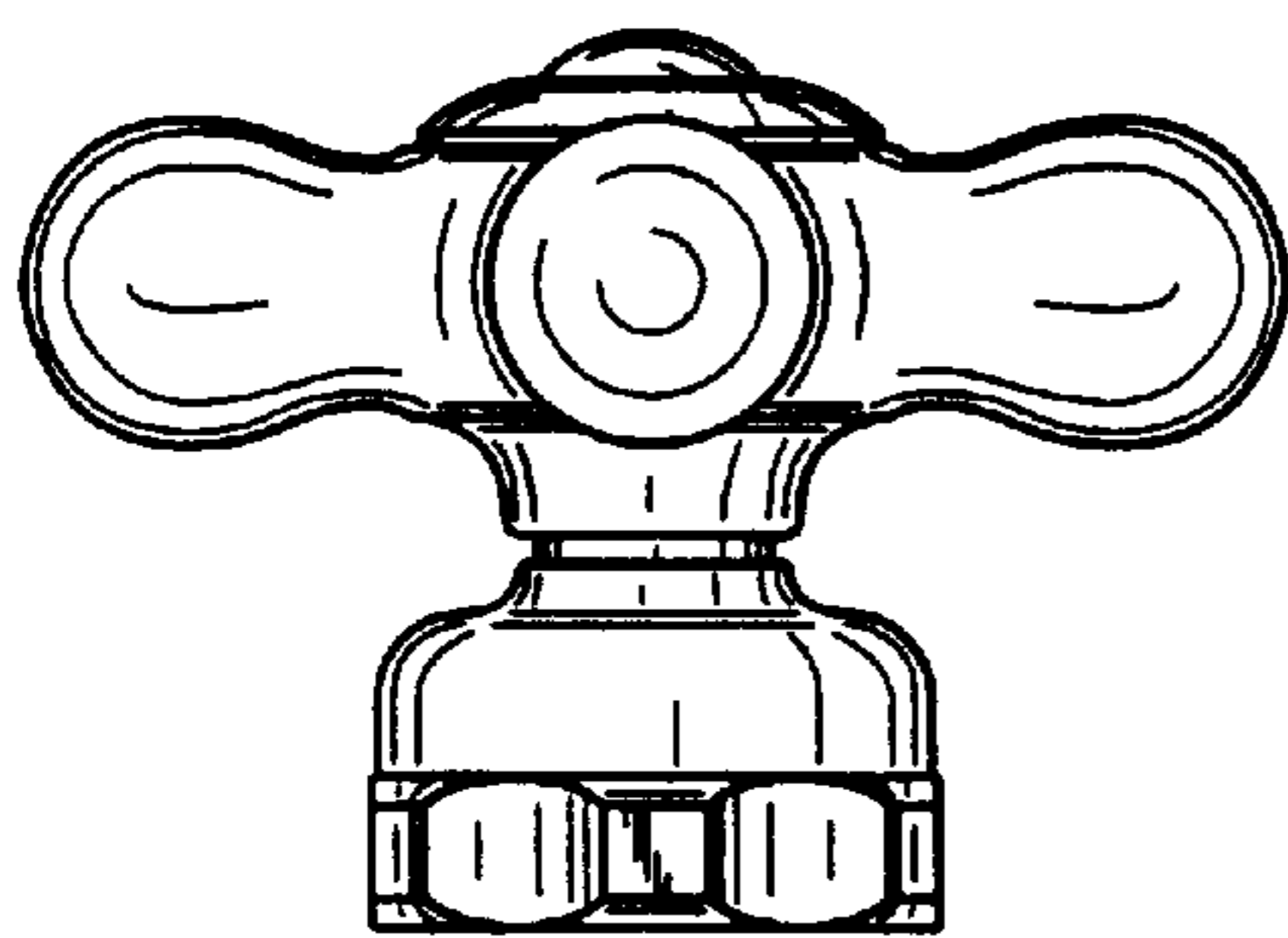


FIG. 5

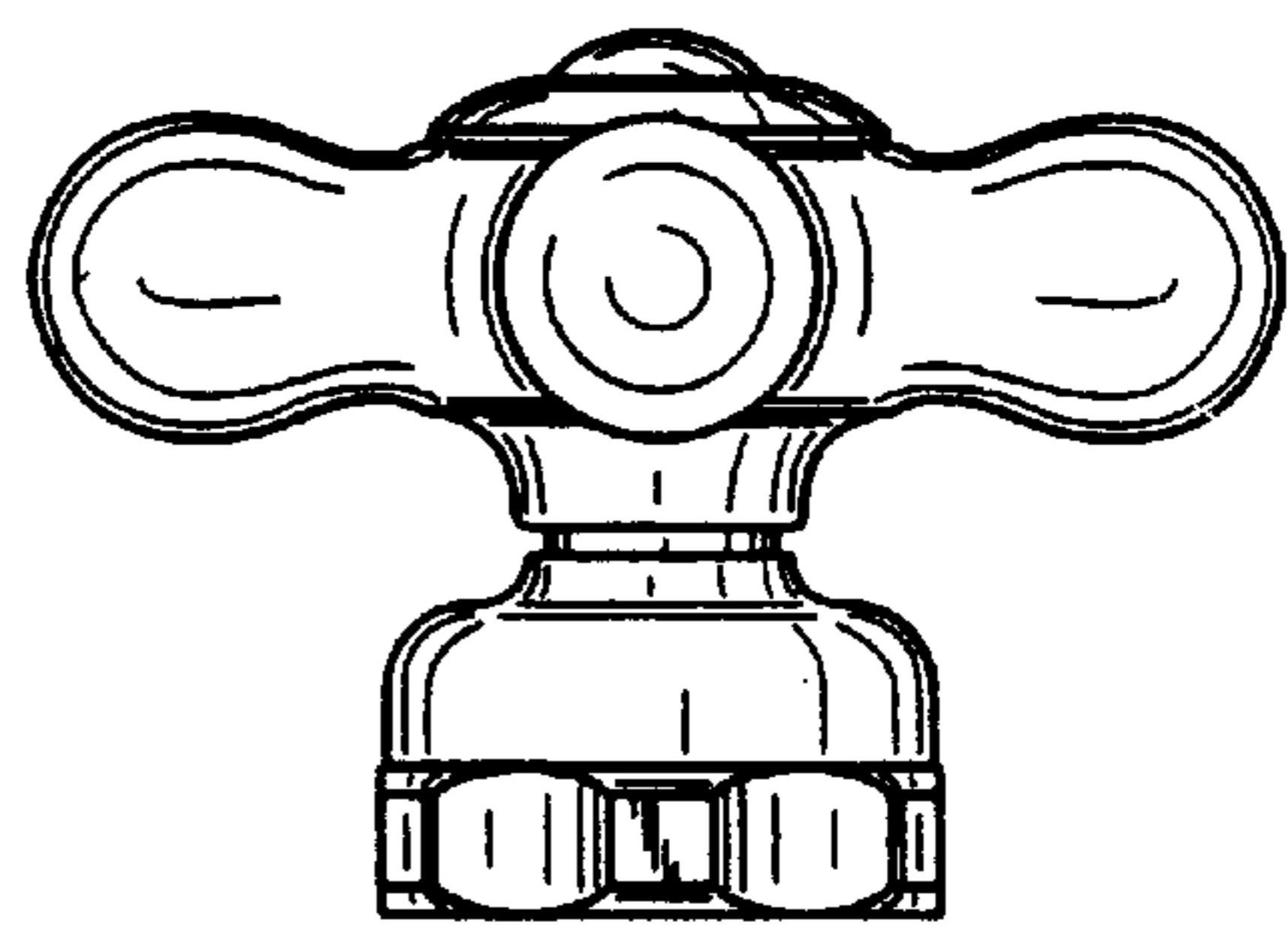


FIG. 6