



US00D414844S

United States Patent [19]

Lynch et al.

[11] Patent Number: Des. 414,844

[45] Date of Patent: ** *Oct. 5, 1999

[54] MANIFOLD

[75] Inventors: Jeffrey T. Lynch, Sugar Land; Chris M. Yohner, Houston, both of Tex.

[73] Assignee: Tyco Flow Control, Inc., Houston, Tex.

[*] Notice: This patent is subject to a terminal disclaimer.

[**] Term: 14 Years

[21] Appl. No.: 29/078,672

[22] Filed: Oct. 29, 1997

[51] LOC (6) Cl. 23-01

[52] U.S. Cl. D23/245

[58] Field of Search D15/1-5; D23/245, D23/247, 233; 137/597; D8/549, 554

[56] References Cited

U.S. PATENT DOCUMENTS

D. 197,755	3/1964	Myers	D23/247
D. 222,598	11/1971	Weland	D15/5
D. 297,256	8/1988	Schwarz	D23/233
D. 321,888	11/1991	Brotherton	D15/5
3,596,680	8/1971	Adams	137/597 X
4,596,426	6/1986	Clap	137/597 X

4,602,657	7/1986	Anderson, Jr. et al.	.
5,036,884	8/1991	Miller et al.	.
5,117,867	6/1992	Adams	.
5,277,224	1/1994	Hutton et al.	.

OTHER PUBLICATIONS

Publication showing a manifold. Astava B.V., Meppel, Holland, 1992.

Primary Examiner—Ralf Seifert
Attorney, Agent, or Firm—Browning Bushman

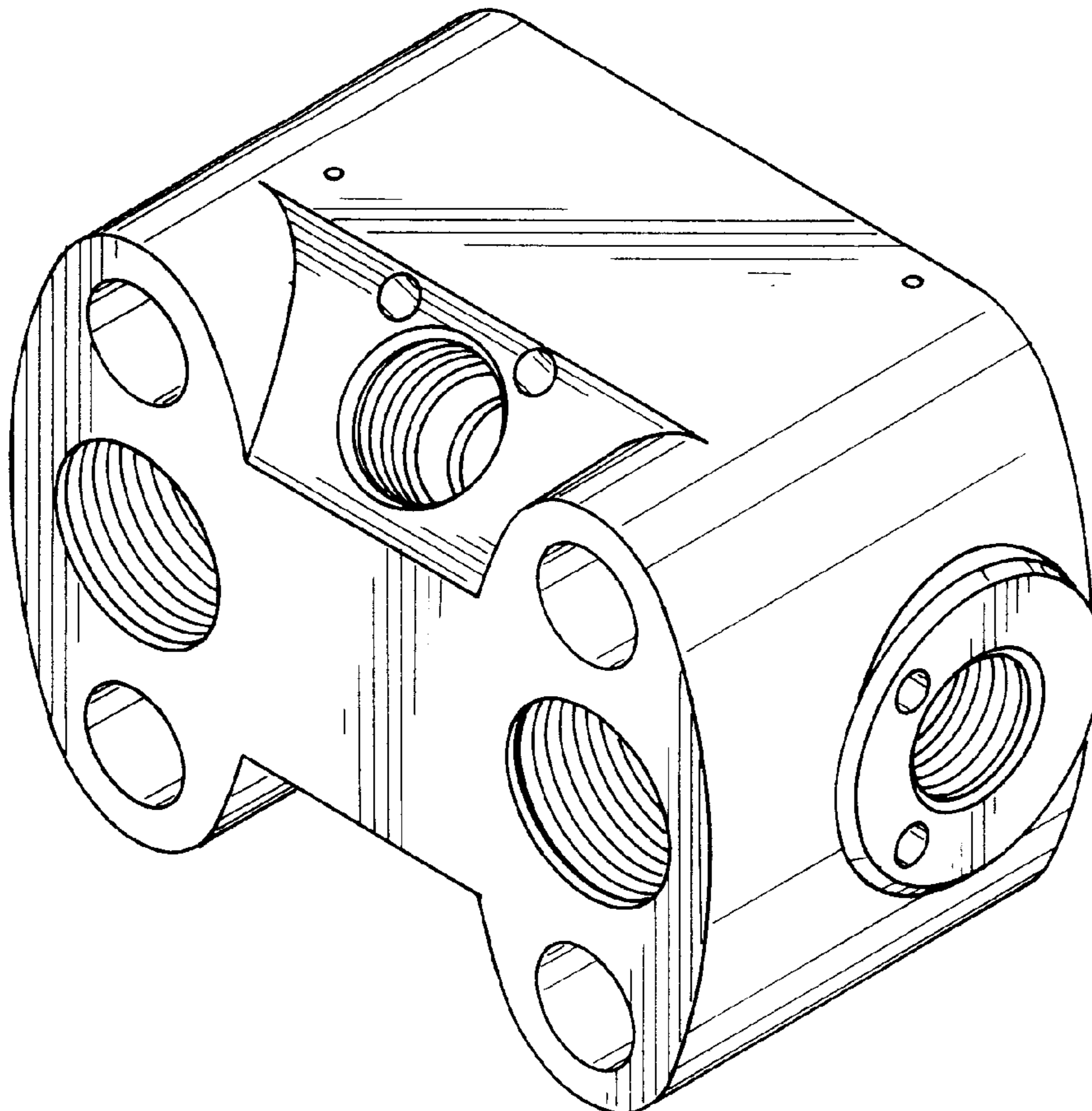
[57] CLAIM

The ornamental design for a manifold, as shown and described.

DESCRIPTION

FIG. 1 is a perspective view of the front and top of a manifold showing our new design; FIG. 2 is a perspective view of the rear and top thereof; FIG. 3 is a top, plan view thereof; FIG. 4 is a bottom, plan view thereof; FIG. 5 is a front, elevational view thereof; FIG. 6 is a rear, elevational view thereof; and, FIG. 7 is an elevational view of one side thereof, the other side view being identical.

1 Claim, 3 Drawing Sheets



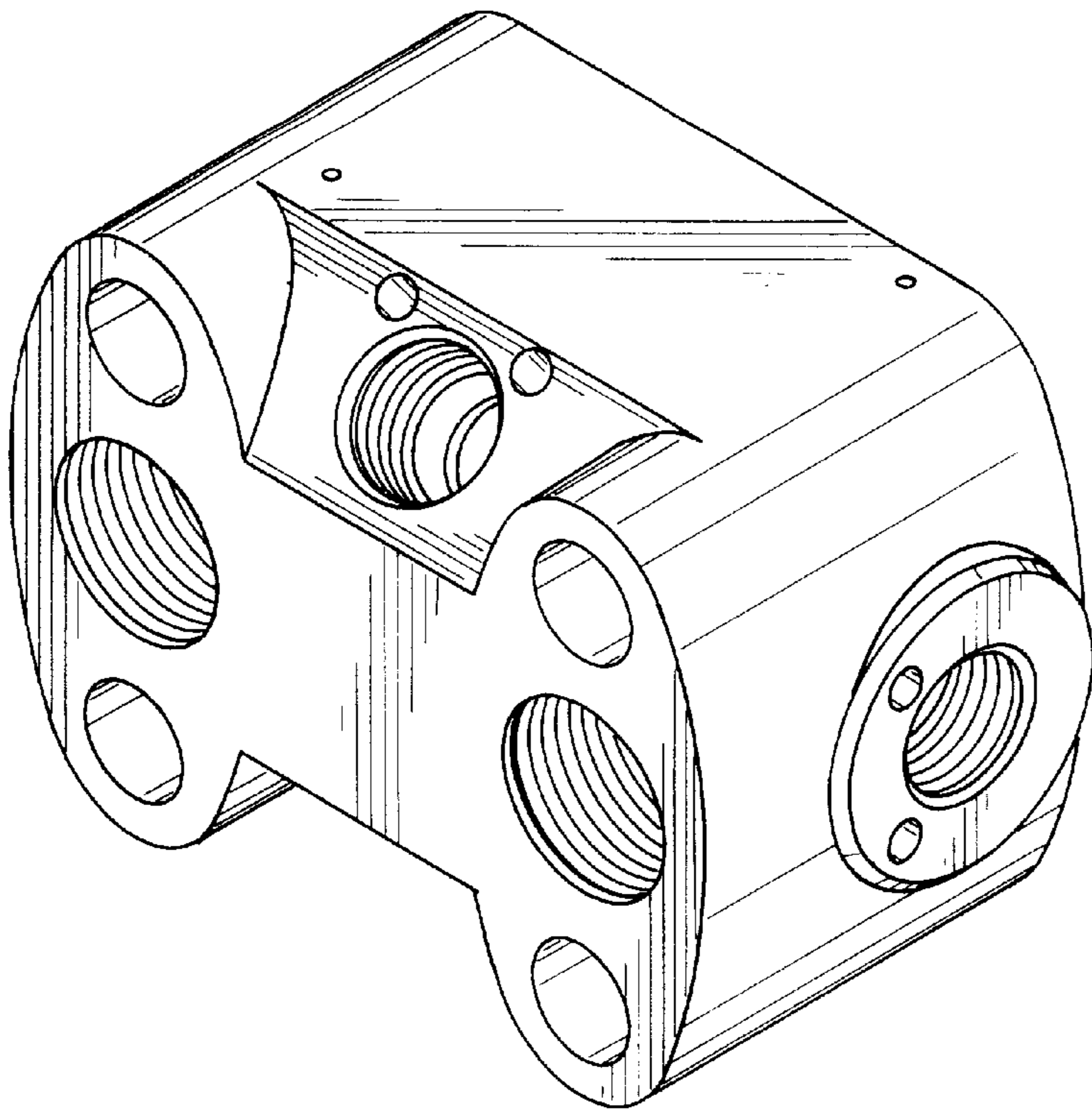


FIG. 1

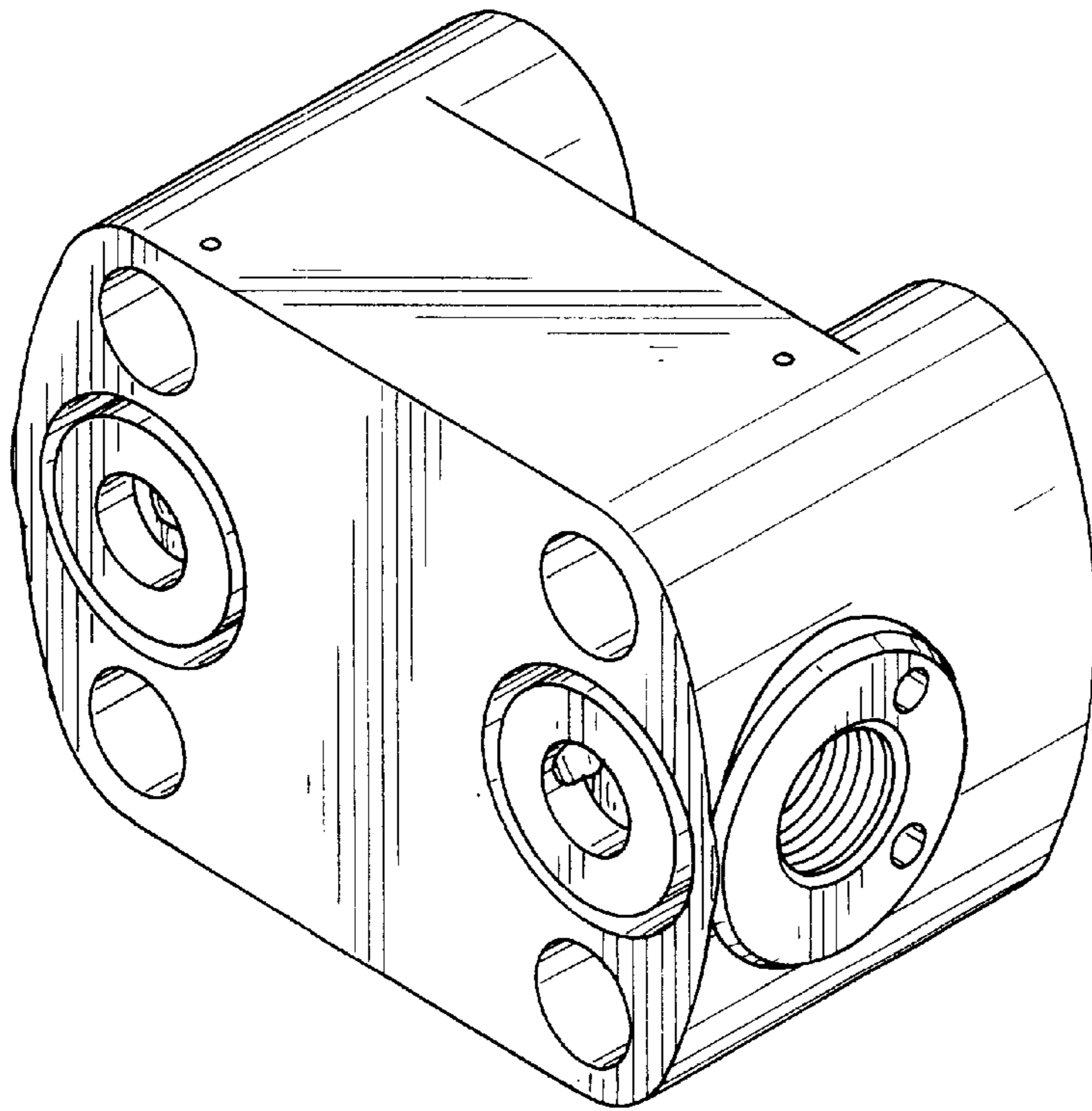


FIG. 2

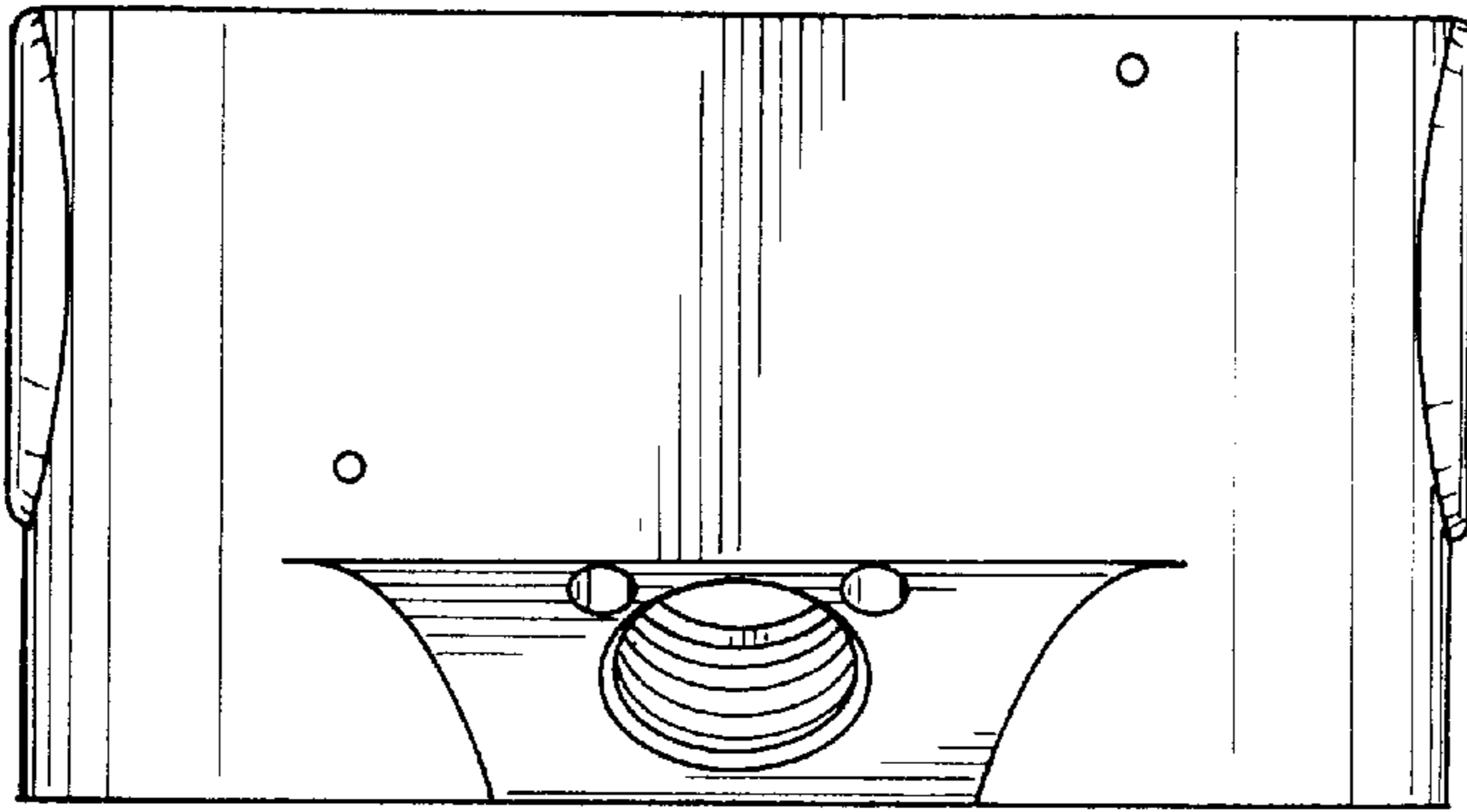


FIG. 3

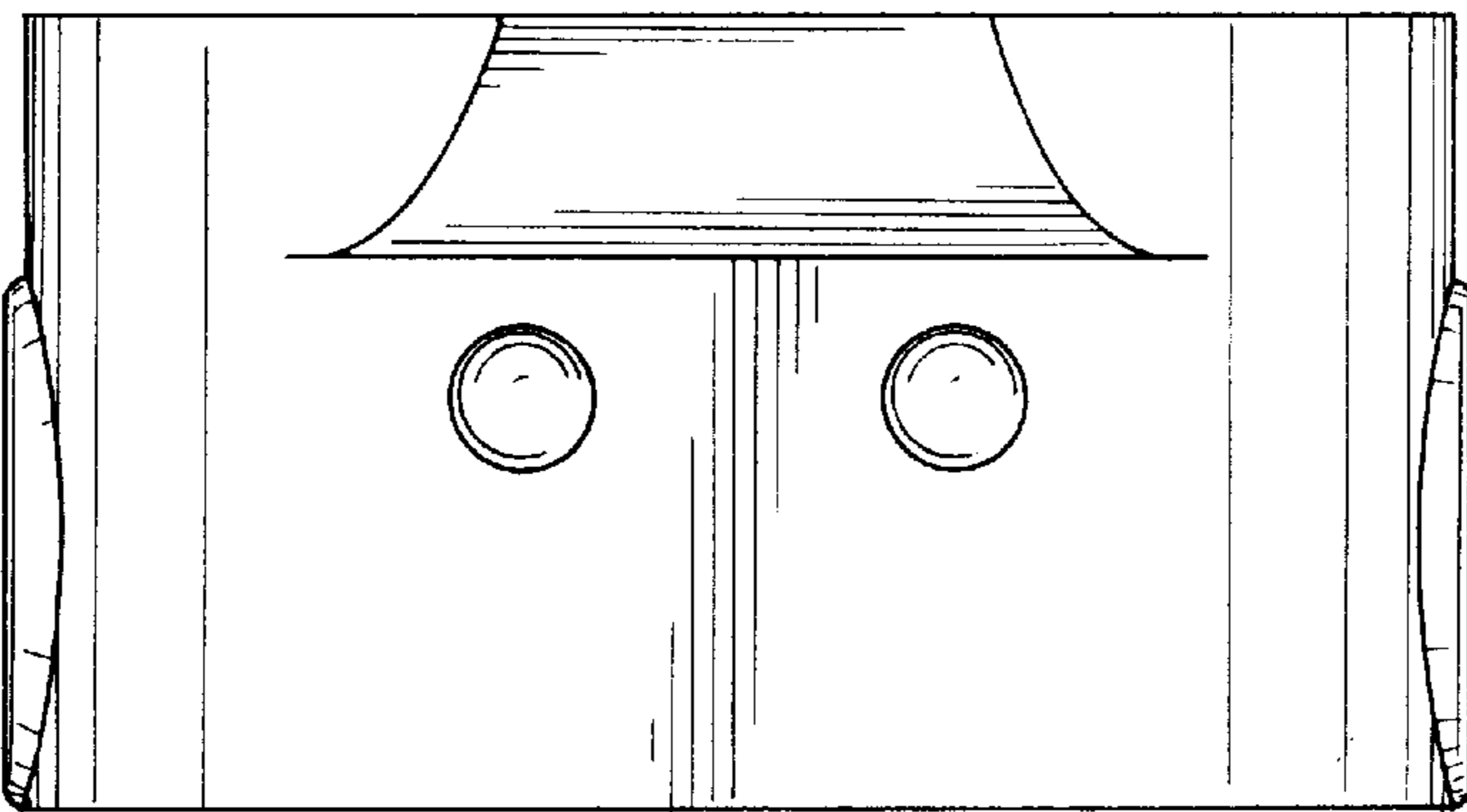


FIG. 4

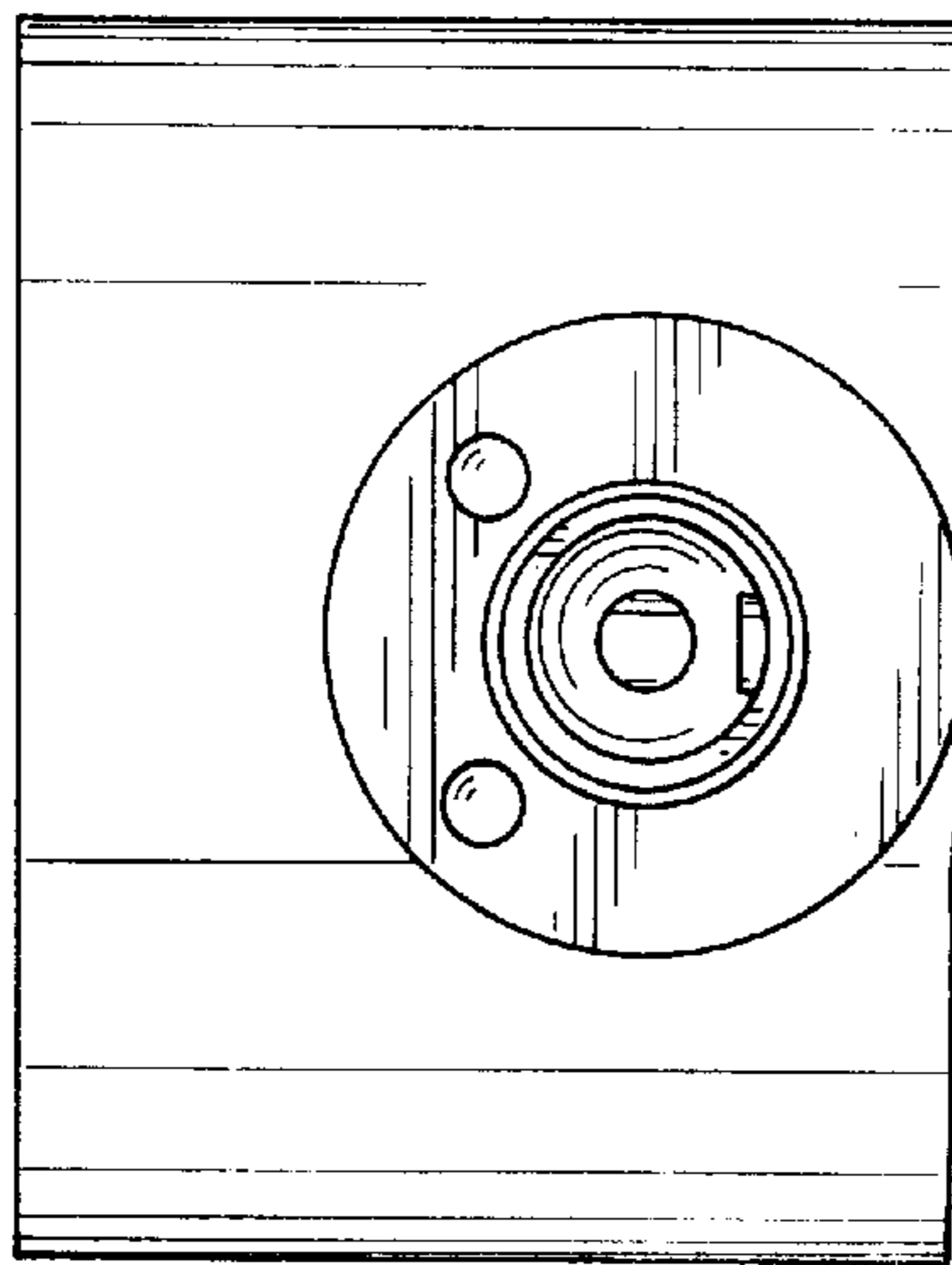


FIG. 7

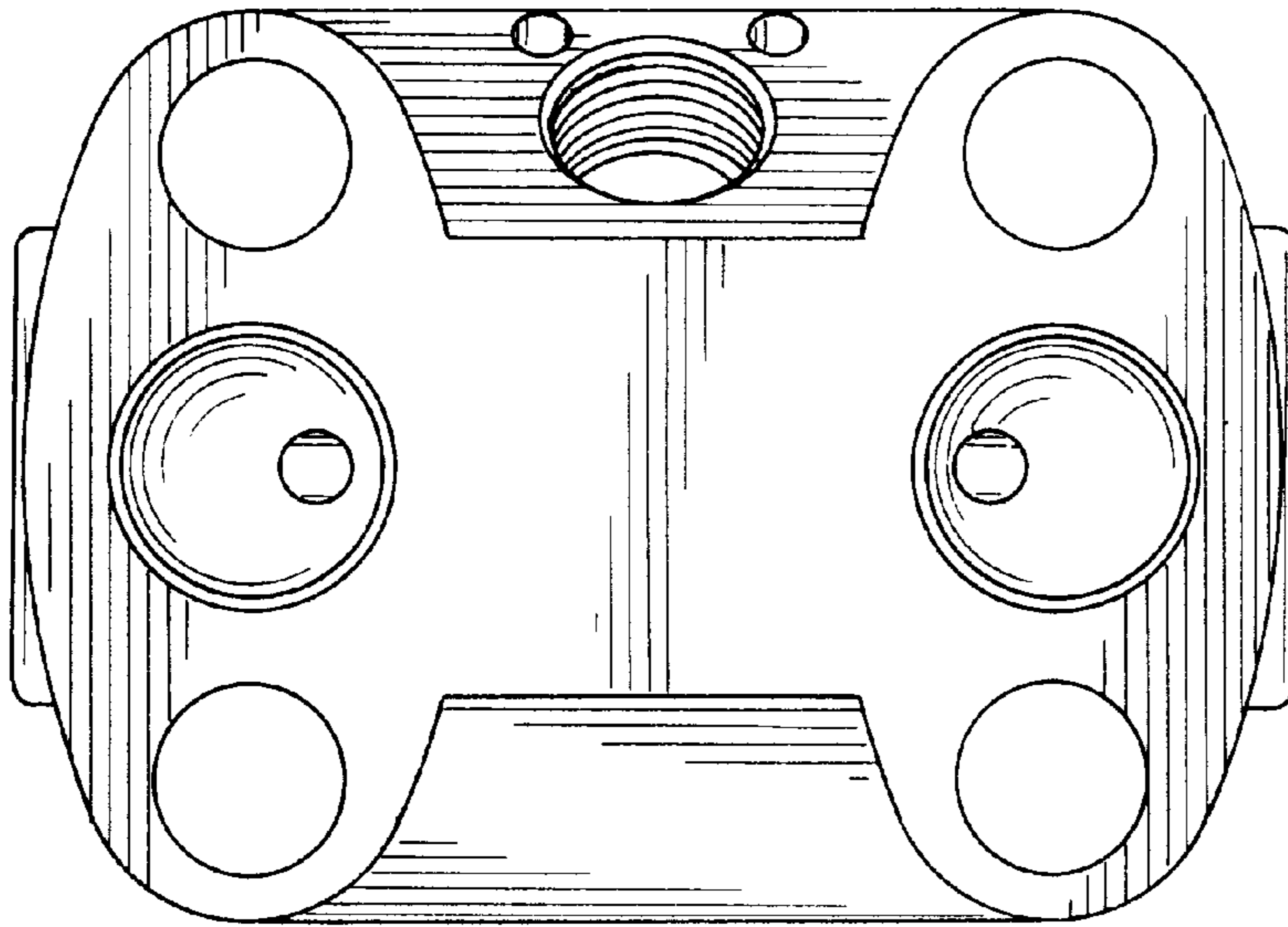


FIG. 5

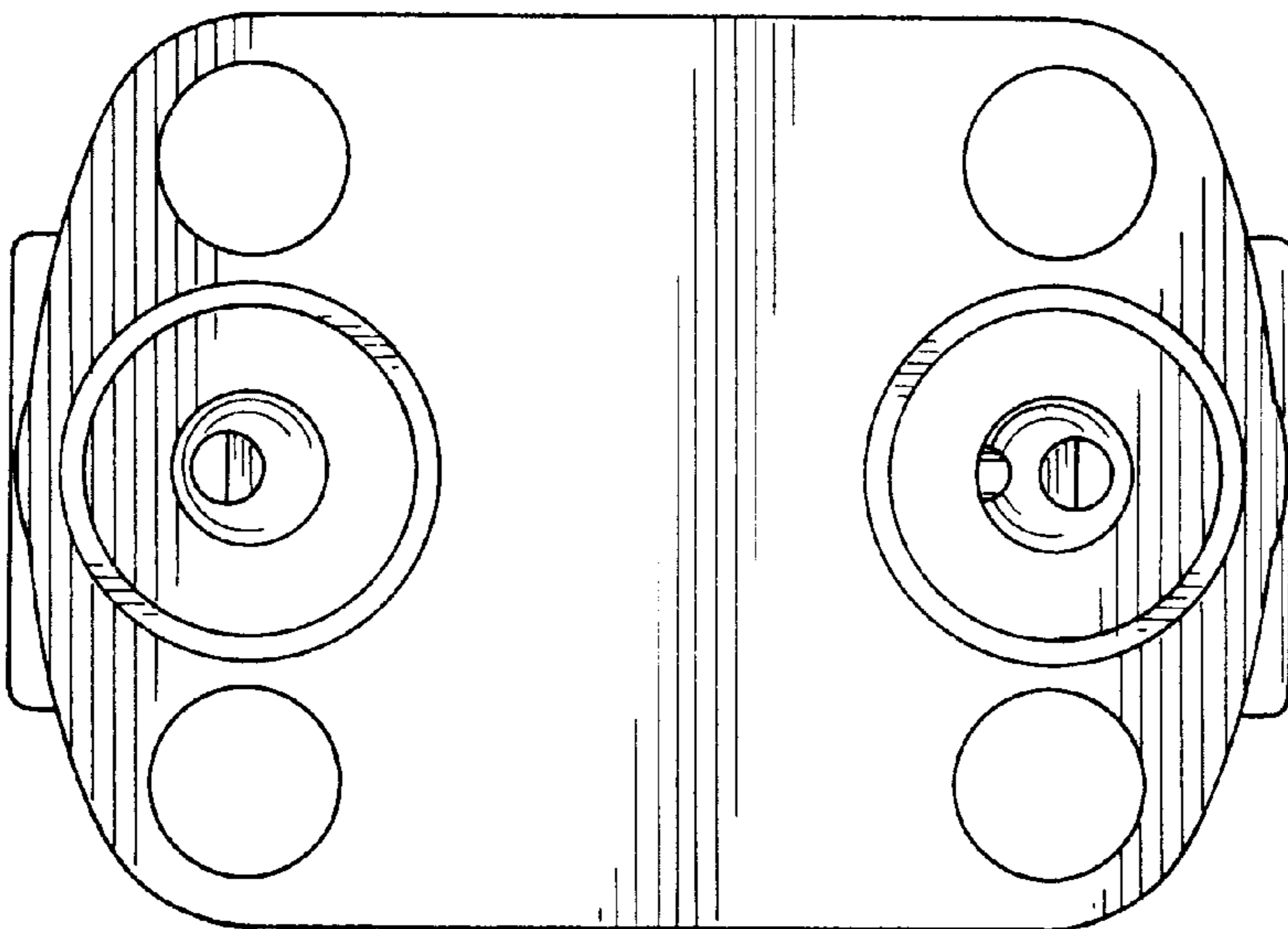


FIG. 6