



US00D414840S

United States Patent [19] Kirby

[11] **Patent Number: Des. 414,840**

[45] **Date of Patent: ** Oct. 5, 1999**

[54] **FISHING REEL**

[76] **Inventor: Thomas Glen Kirby, 304 W. Key West, Broken Arrow, Okla. 74011**

[**] **Term: 14 Years**

[21] **Appl. No.: 29/093,260**

[22] **Filed: Sep. 8, 1998**

[51] **LOC (6) Cl. 22-05**

[52] **U.S. Cl. D22/141**

[58] **Field of Search D22/134, 137, D22/138, 140, 141, 142; 43/4, 18.1, 19, 19.2, 20, 22, 25; 242/138, 224, 283, 385, 385.4**

[56] **References Cited**

U.S. PATENT DOCUMENTS

- D. 159,986 9/1950 Hull D22/141
- D. 189,721 2/1961 Hull D22/138

- D. 296,226 6/1988 Le Bleu D22/137
- D. 314,603 2/1991 Jackson et al. D22/141
- D. 353,183 12/1994 Kirby D22/141
- 5,370,328 12/1994 Kirby 242/238

Primary Examiner—Louis S. Zarfaz
Assistant Examiner—Inga-Maria Hyttinen

[57] **CLAIM**

The ornamental design for a fishing reel, as shown.

DESCRIPTION

FIG. 1 is a top plan view of a fishing reel, showing my new design;
FIG. 2 is a bottom plan view thereof;
FIG. 3 is a front elevational view thereof;
FIG. 4 is a rear elevational view thereof;
FIG. 5 is a left side elevational view thereof; and,
FIG. 6 is a right side elevational view thereof.

1 Claim, 3 Drawing Sheets

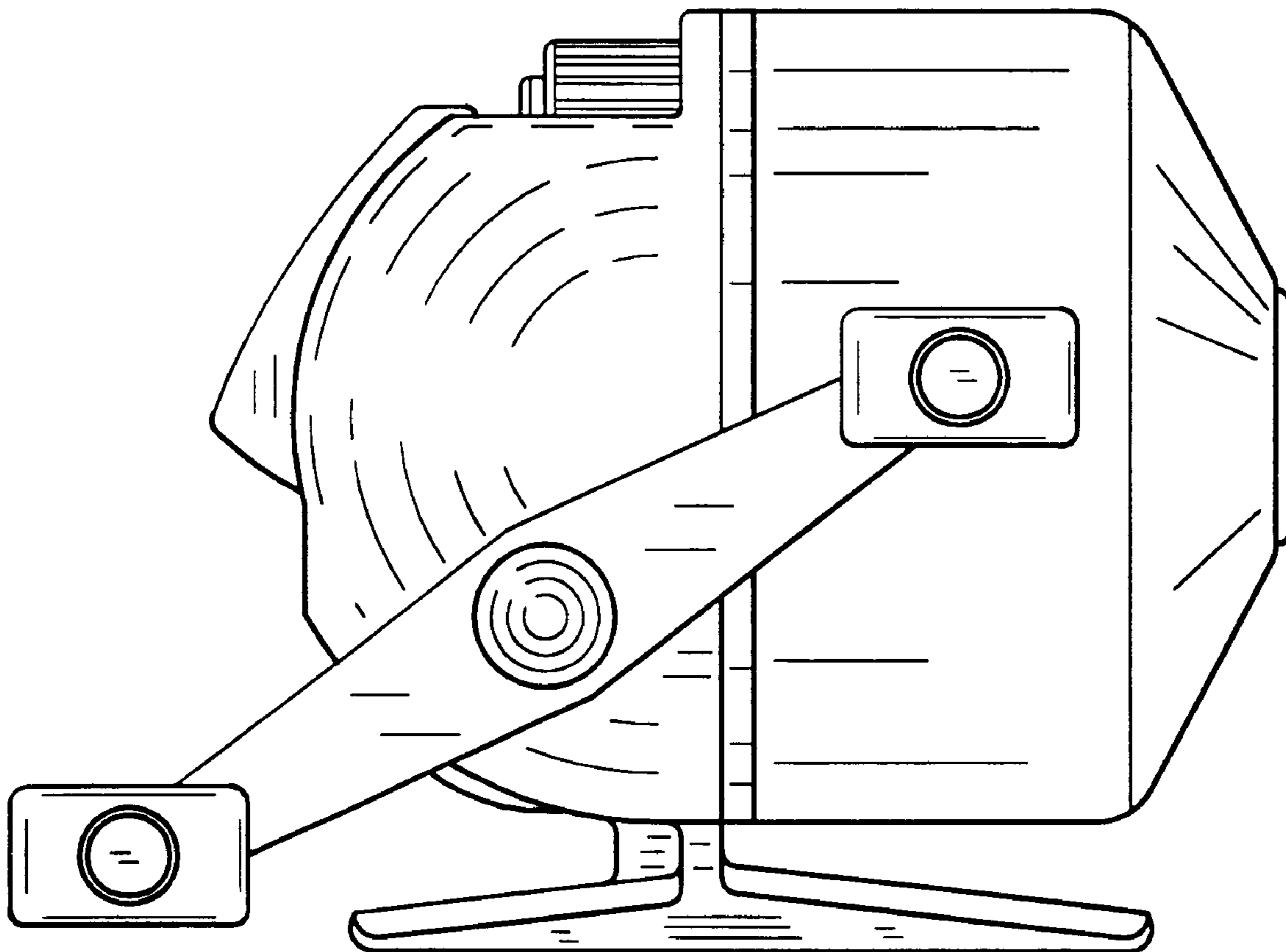


FIG. 1

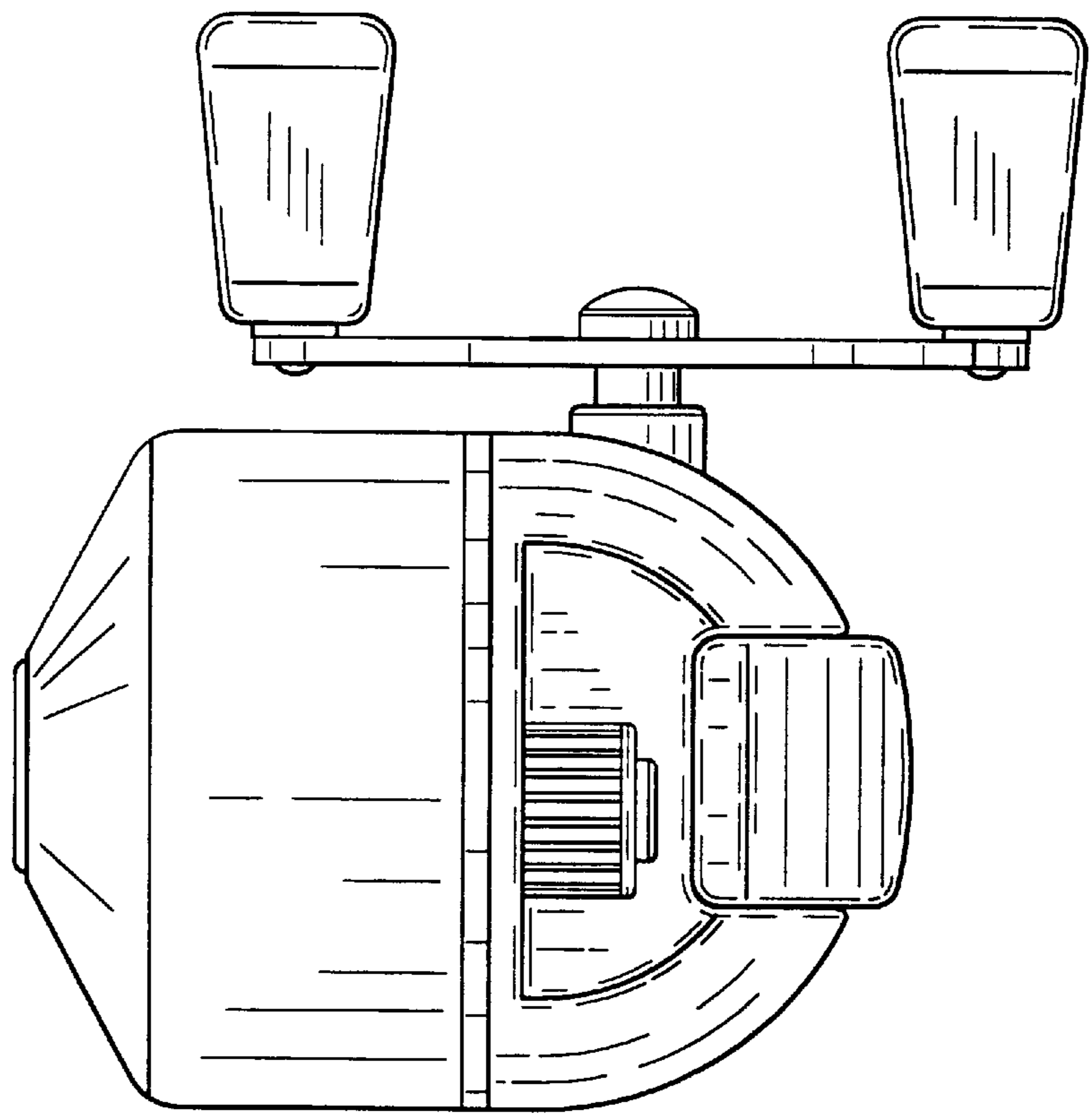
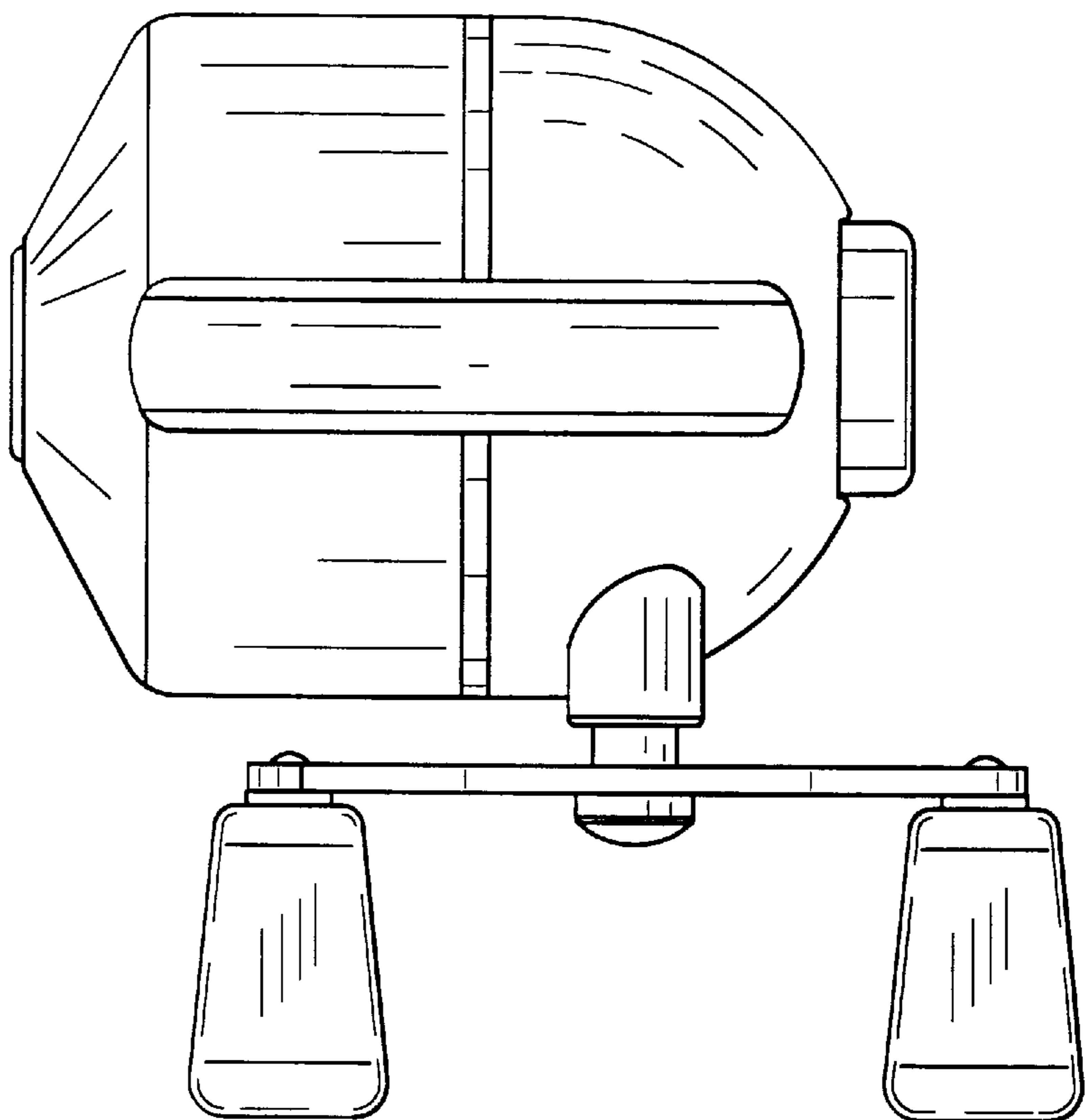


FIG. 2



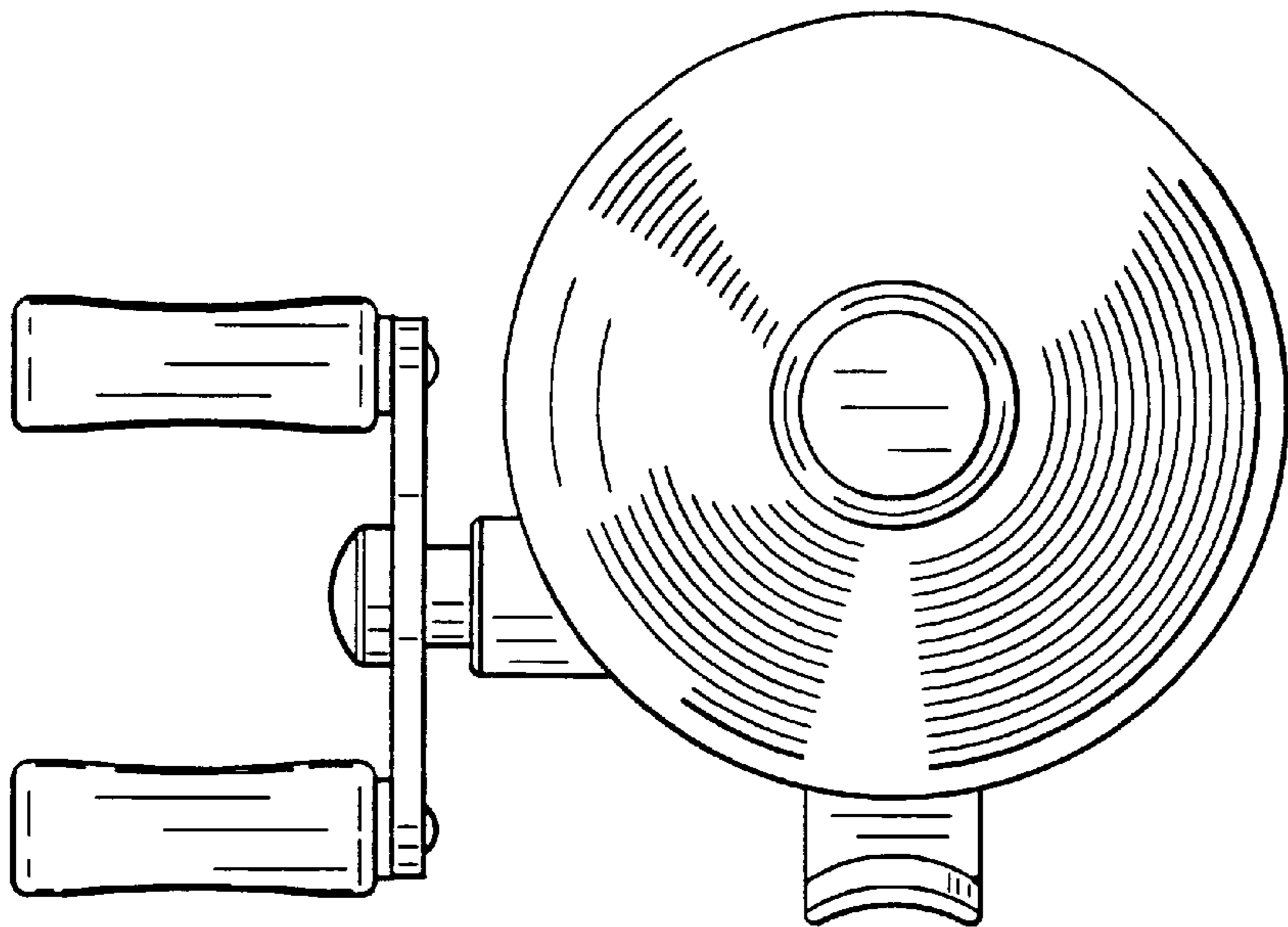


FIG. 3

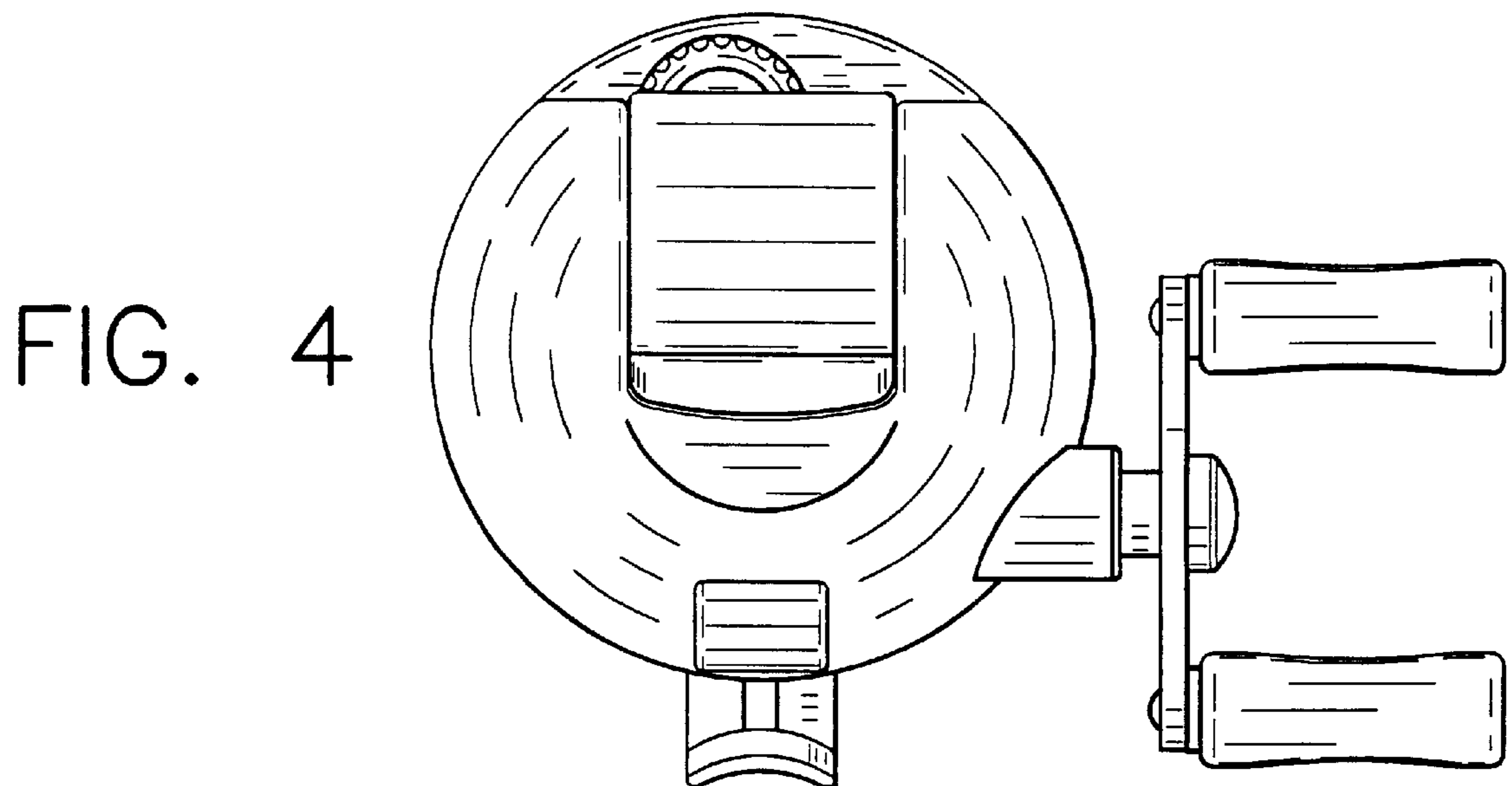


FIG. 4

FIG. 5

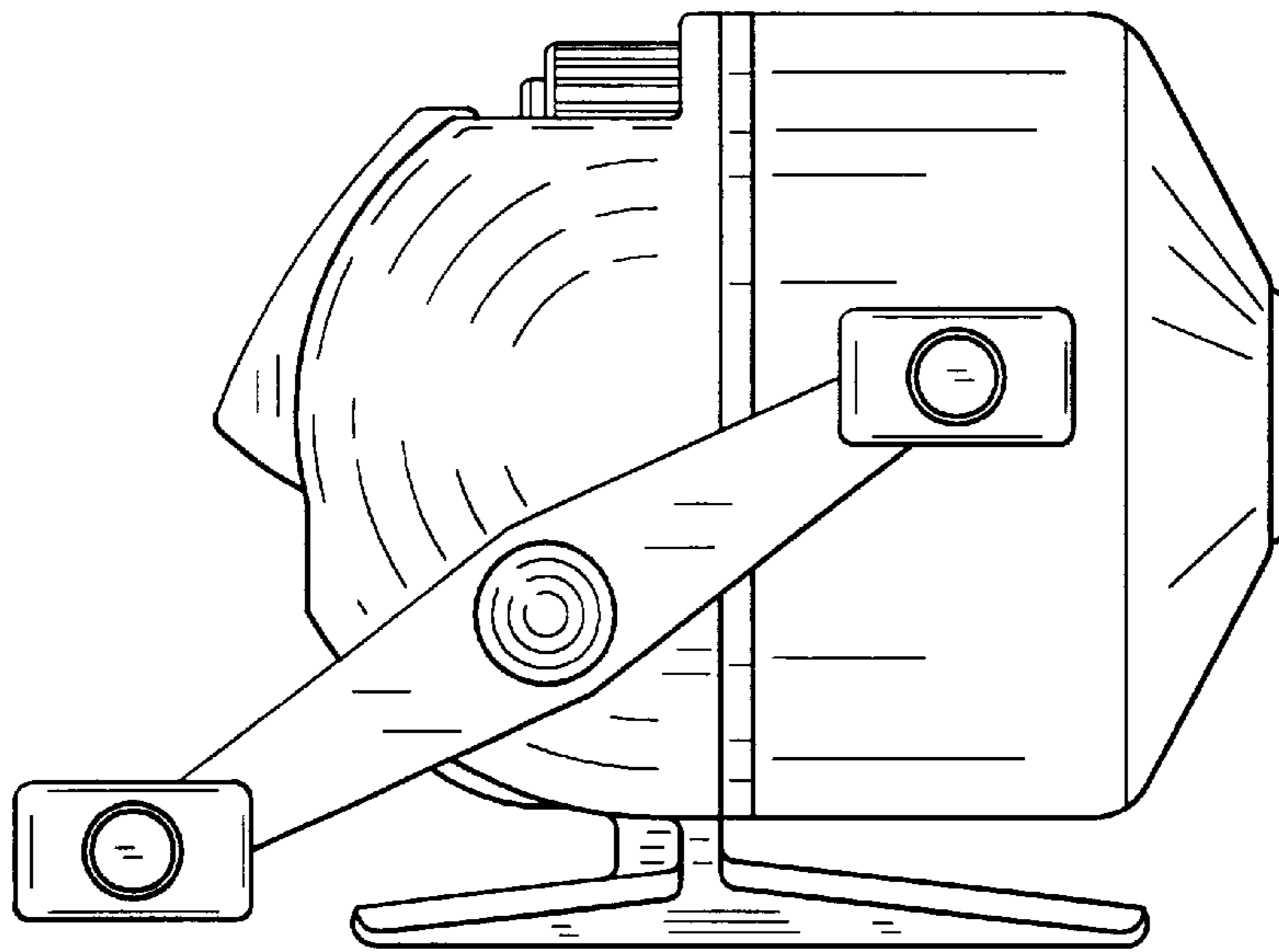
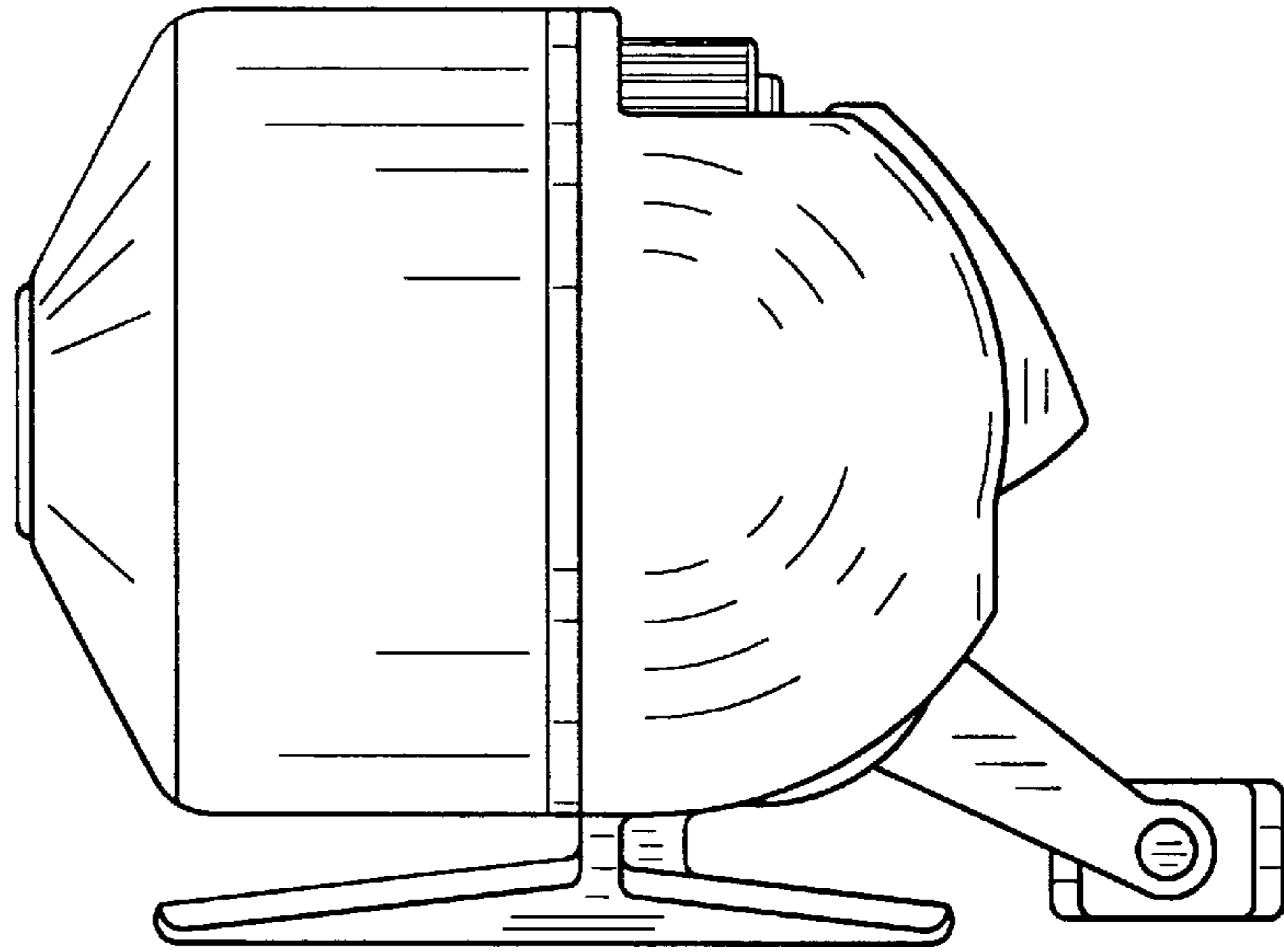


FIG. 6