



US00D414836S

**United States Patent** [19]  
**Cheung**

[11] **Patent Number: Des. 414,836**

[45] **Date of Patent: \*\* Oct. 5, 1999**

[54] **PYROTECHNIC ROCKET**

[75] **Inventor: Ewan Chi Yuen Cheung**, Causeway Bay, The Hong Kong Special Administrative Region of the People's Republic of China

[73] **Assignee: Inter-Oriental Pyrotechnic, Ltd.**, The Hong Kong Special Administrative Region of the People's Republic of China

[\*\*] **Term: 14 Years**

[21] **Appl. No.: 29/096,203**

[22] **Filed: Nov. 6, 1998**

[51] **LOC (6) Cl. .... 22-03**

[52] **U.S. Cl. .... D22/112; D22/199**

[58] **Field of Search** ..... D22/100, 112, D22/199; D21/741, 658, 659; 102/334, 361, 399, 400; 446/399, 400, 401, 402

[56] **References Cited**

**U.S. PATENT DOCUMENTS**

D. 224,795 9/1972 Feuer ..... D21/660 X

282,891	8/1883	Hirayama .....	102/399
D. 351,779	10/1994	Allison .....	D21/659 X
D. 361,367	8/1995	Shair .....	D22/112
385,562	7/1888	Mannie .....	102/399
2,361,841	10/1944	Healy .....	102/399
2,718,094	9/1955	MacInnes .....	102/400
2,752,729	7/1956	MacInnes .....	102/400

*Primary Examiner*—B. J. Bullock  
*Assistant Examiner*—Monica A. Weingart  
*Attorney, Agent, or Firm*—E. Alan Uebler, PA

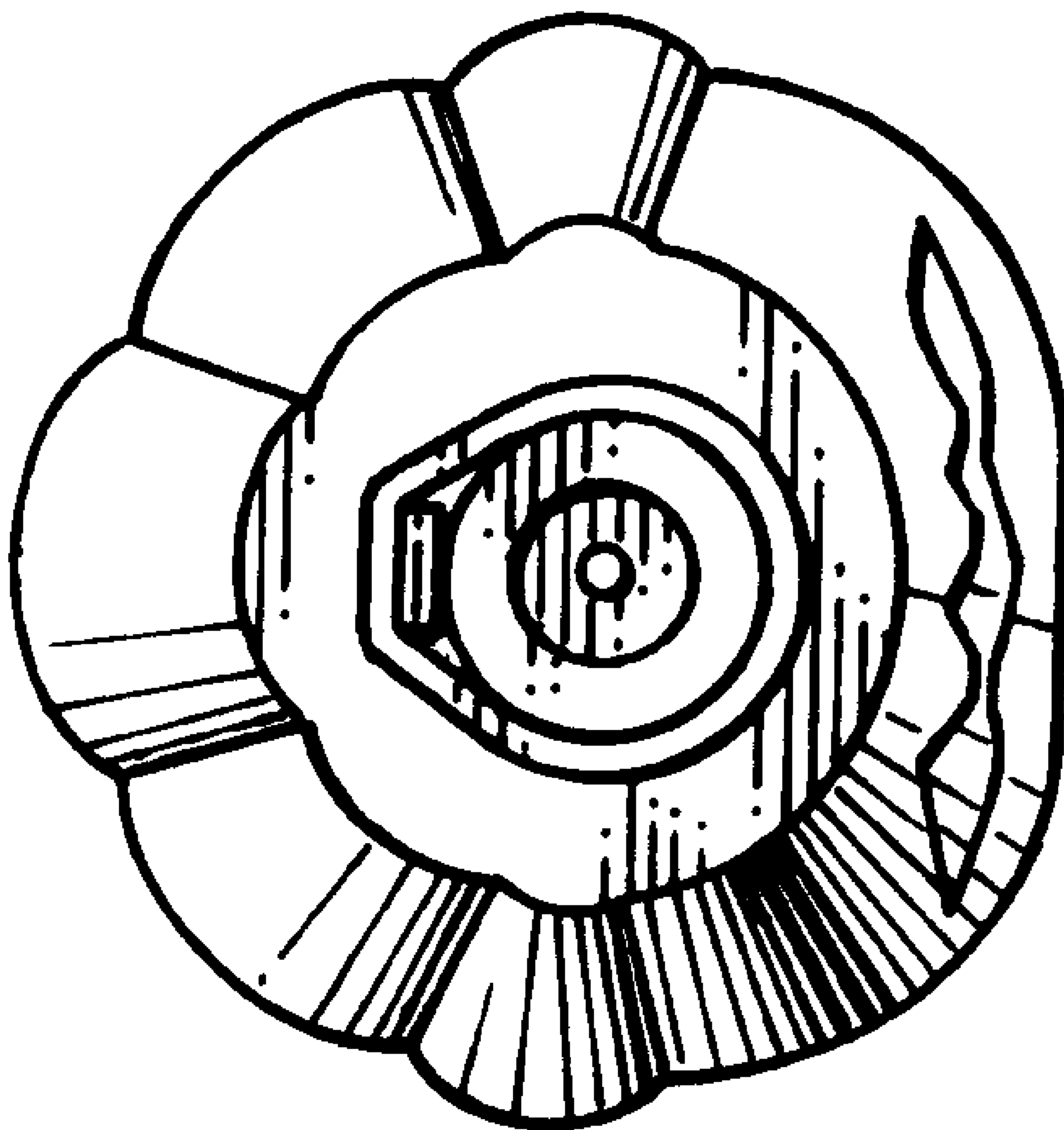
[57] **CLAIM**

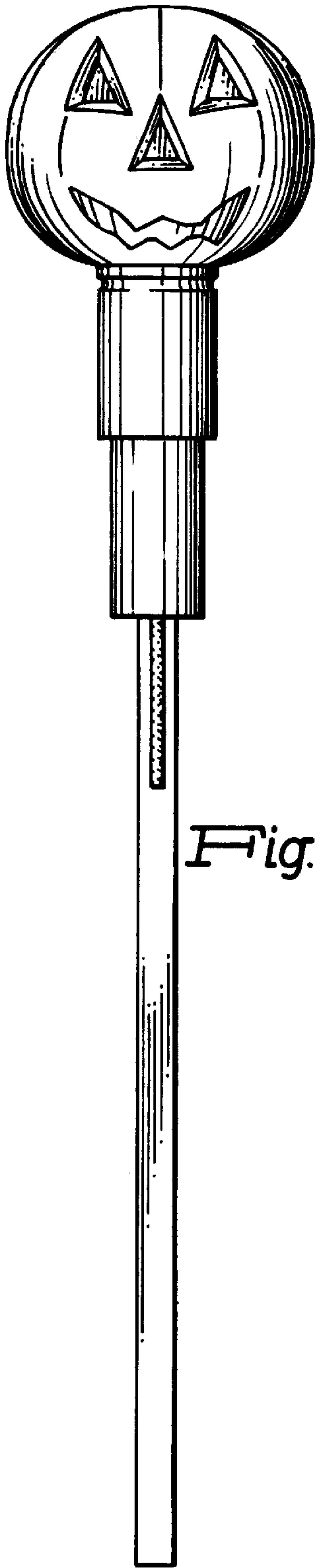
The ornamental design for a pyrotechnic rocket, as shown and described.

**DESCRIPTION**

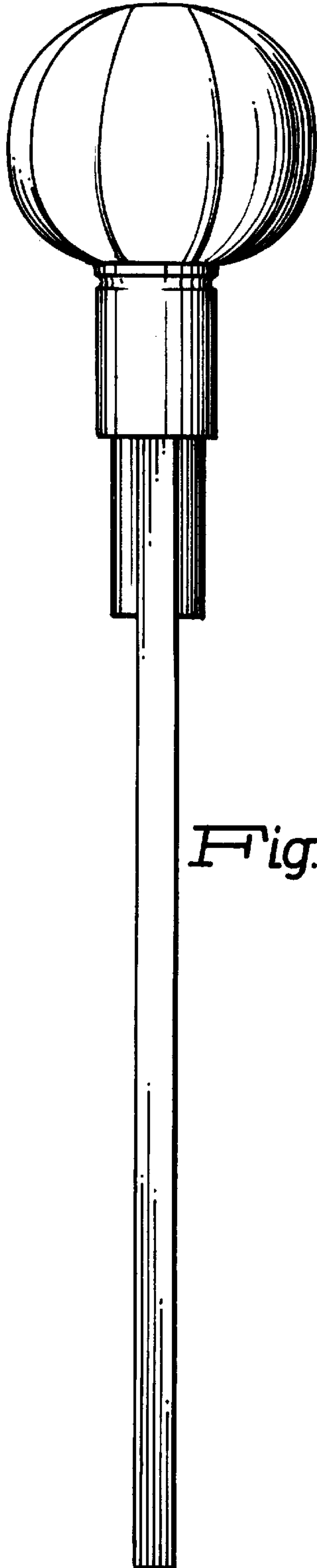
FIG. 1 is a front elevational view of a pyrotechnic rocket according to this invention;  
FIG. 2 is a rear elevational view;  
FIG. 3 is a right side elevational view of the pyrotechnic rocket, the left side elevation being a mirror image thereof;  
FIG. 4 is a top plan view thereof; and,  
FIG. 5 is a bottom plan view thereof.

**1 Claim, 2 Drawing Sheets**

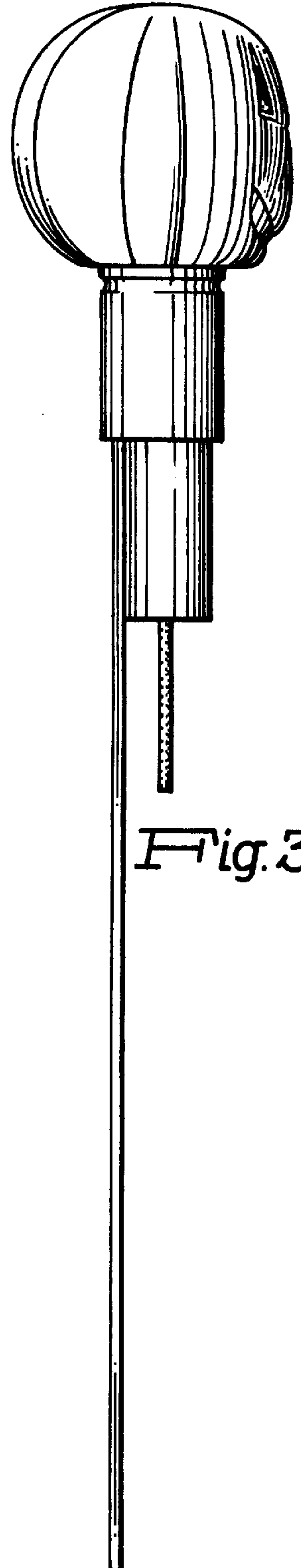




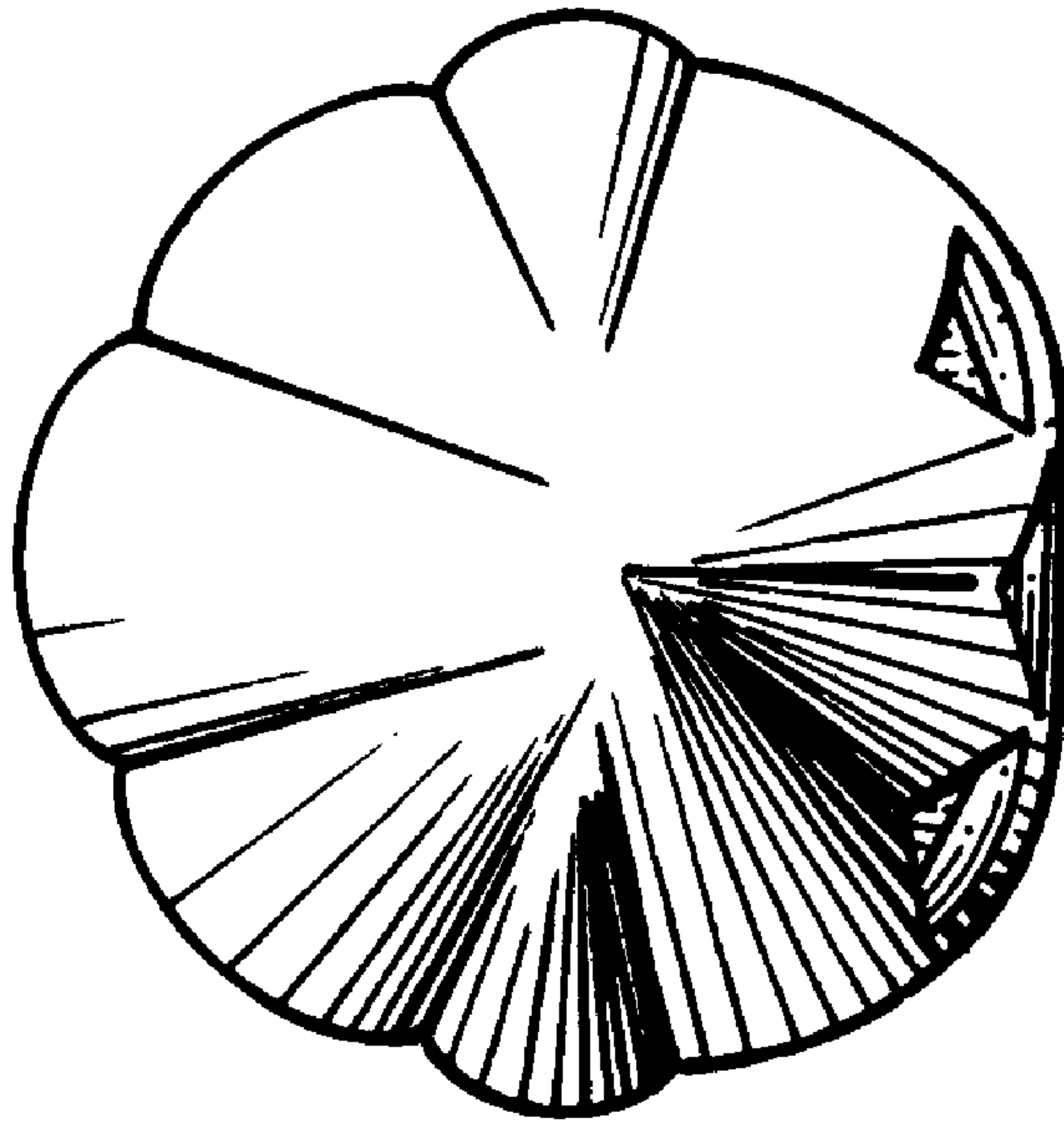
*Fig. 1.*



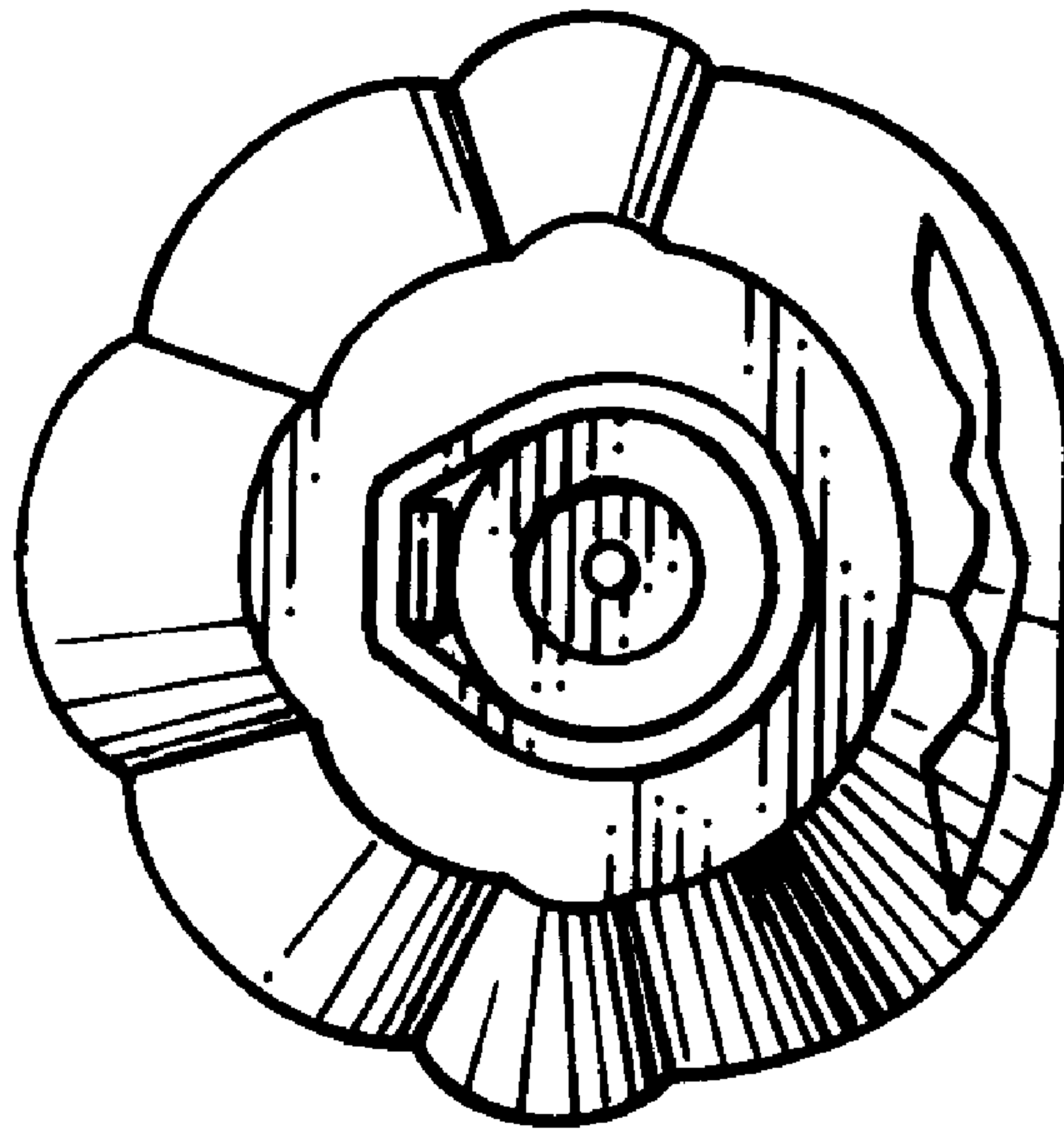
*Fig. 2.*



*Fig. 3.*



*Fig. 4.*



*Fig. 5.*