



US00D414833S

United States Patent [19]

Ravnik et al.

[11] Patent Number: **Des. 414,833**

[45] Date of Patent: **** Oct. 5, 1999**

[54] **SKI**

[75] Inventors: **Janez Ravnik**, Jermanka; **Valter Valenčič**, Begunje; **Tomaž Pogačar**, Ob potoku, all of Slovakia

[73] Assignee: **Elan Line d.o.o.**, Begunje na Gorenjskem, Slovakia

[**] Term: **14 Years**

[21] Appl. No.: **29/075,711**

[22] Filed: **Jul. 28, 1997**

[30] **Foreign Application Priority Data**

Feb. 1, 1997 [SK] Slovakia M-975008

[51] **LOC (6) Cl.** **21-02**

[52] **U.S. Cl.** **D21/766**

[58] **Field of Search** D21/760, 766-771, D21/775, 776; 280/602, 607, 609, 610

[56] **References Cited**

U.S. PATENT DOCUMENTS

D. 370,707 6/1996 Commier et al. D21/766
D. 375,341 11/1996 Andrevon et al. D21/766
2,168,144 8/1939 Wennerstrom 280/602

Primary Examiner—Kay H. Chin
Attorney, Agent, or Firm—Miller, Sisson, Chapman & Nash, PC

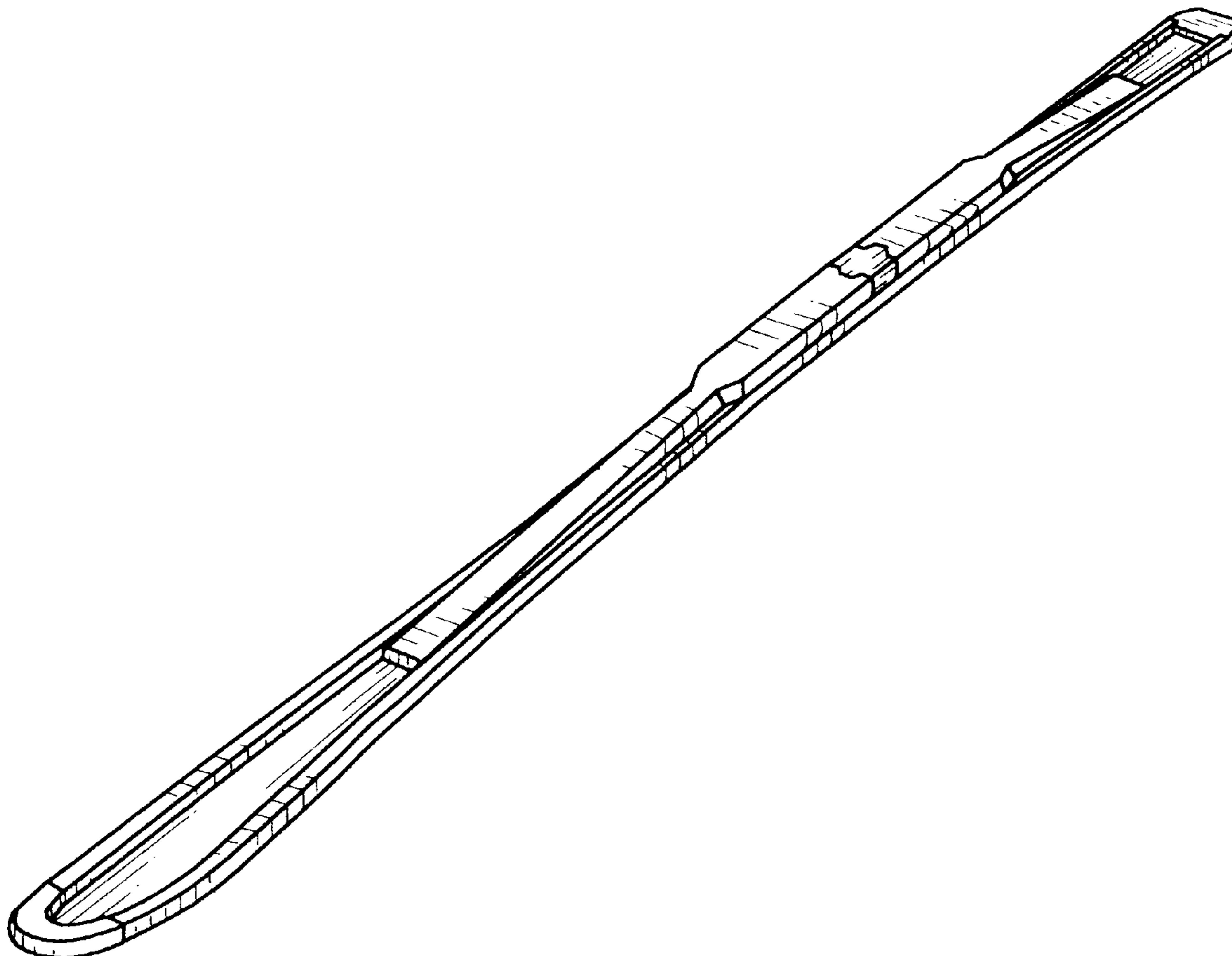
[57] **CLAIM**

The ornamental design for a ski, as shown and described.

DESCRIPTION

FIG. 1 is a front perspective view of a ski showing our new design;
FIG. 2 is a rear perspective view thereof; and,
FIG. 3 is a top plan view thereof.

1 Claim, 1 Drawing Sheet



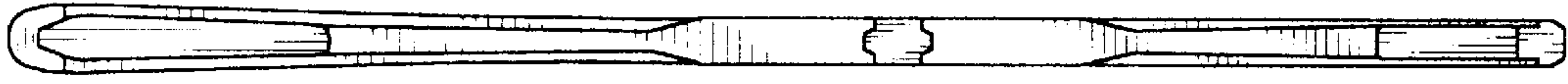


Fig. 3

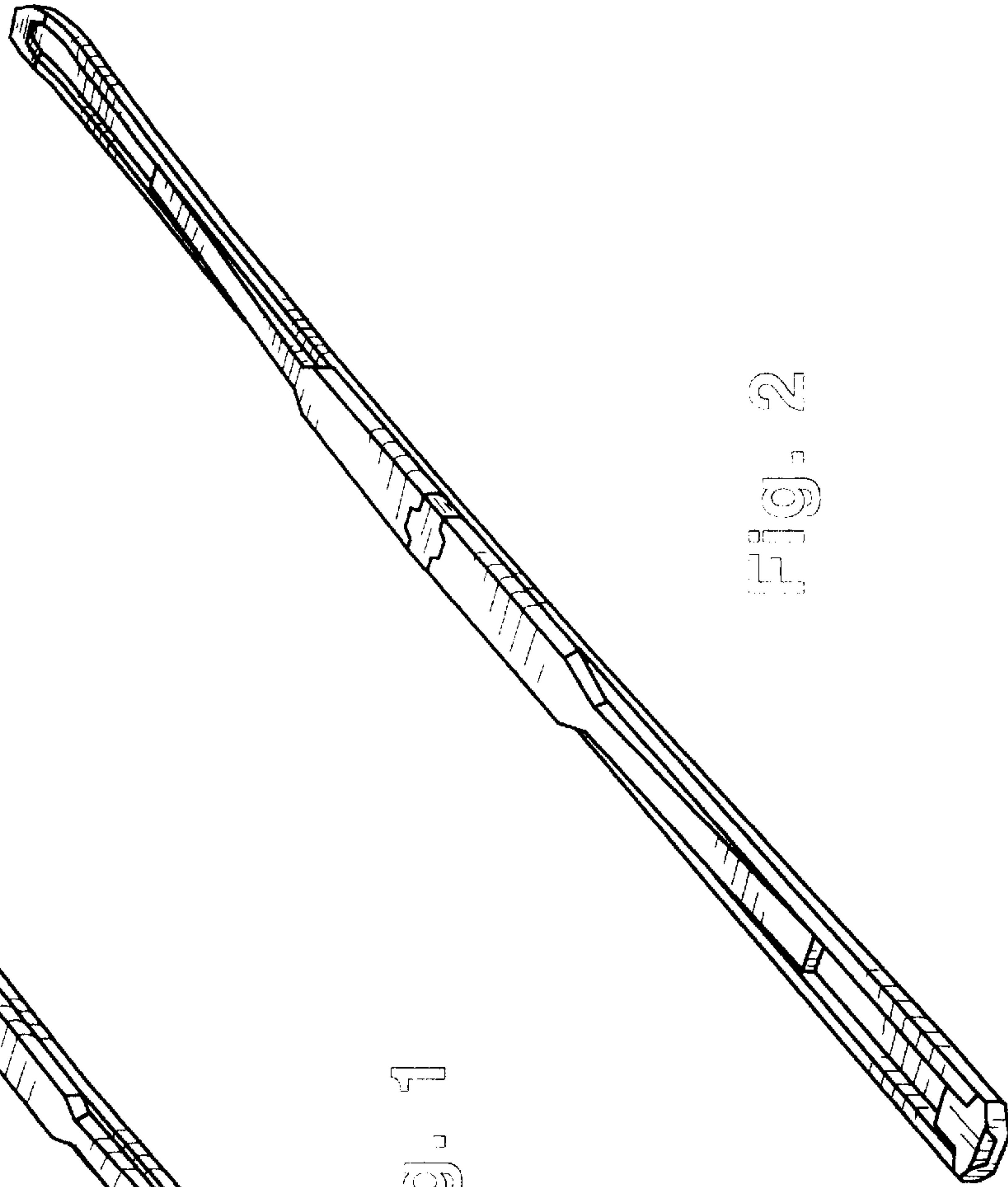


Fig. 2

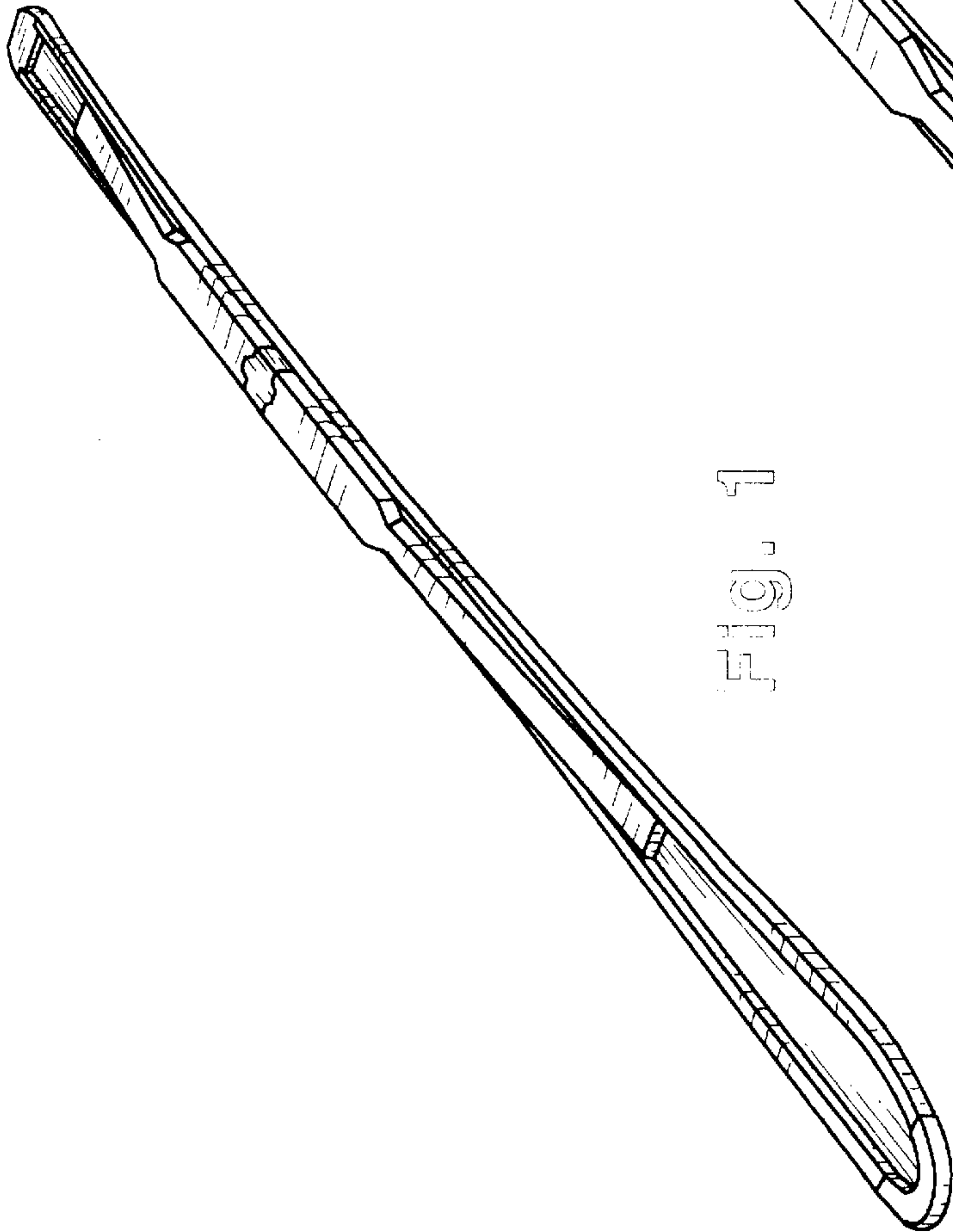


Fig. 1

UNITED STATES PATENT AND TRADEMARK OFFICE
CERTIFICATE OF CORRECTION

PATENT NO. : Des. 414,833
DATED : Oct. 5, 1999
INVENTOR(S) : Janez Ravnik, Valter Valencic, Tomaz Pogacar

It is certified that error appears in the above-identified patent and that said Letters Patent is hereby corrected as shown below:

On the title page: Item [73] Assignee:
Elan Line d.o.o. - Begunje na Gorenjskem, Slovenia

Item [75] Inventors:

Janez Ravnik - Jermanka 13, Slovenia
Valter Valenčič - Begunje 161, Slovenia
Tomaz Pogacar - Ob potoku 20, Slovenia
All of Slovenia

Signed and Sealed this
Twenty-fifth Day of April, 2000

Attest:



Q. TODD DICKINSON

Attesting Officer

Director of Patents and Trademarks