



US00D414830S

United States Patent [19]

Cleveland et al.

[11] Patent Number: Des. 414,830

[45] Date of Patent: ** Oct. 5, 1999

[54] **GOLF PUTTER WITH ANGLED HOSEL AND RECESS-INTERCEPTING, CURVED FLUTES AT REAR SIDE**

[75] Inventors: **Roger C. Cleveland**, Los Angeles; **Augustin W. Rollinson**, San Diego; **Karl A. Clausen**, San Marcos; **Wayne H. Byrne**, Diamond Bar, all of Calif.

[73] Assignee: **Callaway Golf Company**, Carlsbad, Calif.

[**] Term: **14 Years**

[21] Appl. No.: **29/078,598**

[22] Filed: **Oct. 28, 1997**

Related U.S. Application Data

[63] Continuation-in-part of application No. 29/047,831, Jan. 16, 1996.

[51] **LOC (6) Cl.** **21-02**

[52] **U.S. Cl.** **D21/736**

[58] **Field of Search** D21/736-746; 473/251-256, 324, 340, 341

[56] References Cited

U.S. PATENT DOCUMENTS

- D. 162,054 2/1951 Markovich .
- D. 196,734 10/1963 Solheim .
- D. 223,767 6/1972 Houghtaling .
- D. 228,355 9/1973 Penna .
- D. 234,209 1/1975 Bizovi .
- D. 234,963 4/1975 Hirata .
- D. 238,285 12/1975 Ross .
- D. 245,441 8/1977 Middlestadt .
- D. 246,541 11/1977 Myers .
- D. 247,383 2/1978 Adkins .
- D. 248,181 6/1978 Cervantes .
- D. 248,783 8/1978 Long .
- D. 257,784 1/1981 Forys et al. .
- D. 285,956 9/1986 Shearer .
- D. 293,126 12/1987 Bizovi .
- D. 303,132 8/1989 Muta .
- D. 320,427 10/1991 Antonious .

- D. 321,738 11/1991 Brown .
- D. 321,920 11/1991 Parente et al. .
- D. 322,651 12/1991 Parente et al. .
- D. 334,606 4/1993 Cameron .
- D. 343,434 1/1994 Helmstetter et al. .

(List continued on next page.)

FOREIGN PATENT DOCUMENTS

- 901416 4/1985 Belgium .
- 582366 2/1994 European Pat. Off. .
- 608128 7/1994 European Pat. Off. .
- 2575393 7/1986 France .
- 2680695 9/1993 France .
- 5315412 5/1978 Japan .
- 3-7178 1/1991 Japan .
- 371974 5/1932 United Kingdom .

OTHER PUBLICATIONS

- 1995 Callaway Golf Catalog, p. 19.
- 1994 Callaway Golf Catalog, p. 23.
- 1993 Callaway Golf Catalog, pp. 16 & 17.
- 1992 Callaway Golf Catalog, pp. 17 & 18.
- 1991 Callaway Golf Catalog, p. 17.
- 1990 Callaway Golf Catalog, pp. 10 & 11.
- 1989 Callaway Golf Catalog.
- 1988 Callaway Golf Catalog.

Primary Examiner—Mitchell Siegel
Attorney, Agent, or Firm—William W. Haefliger

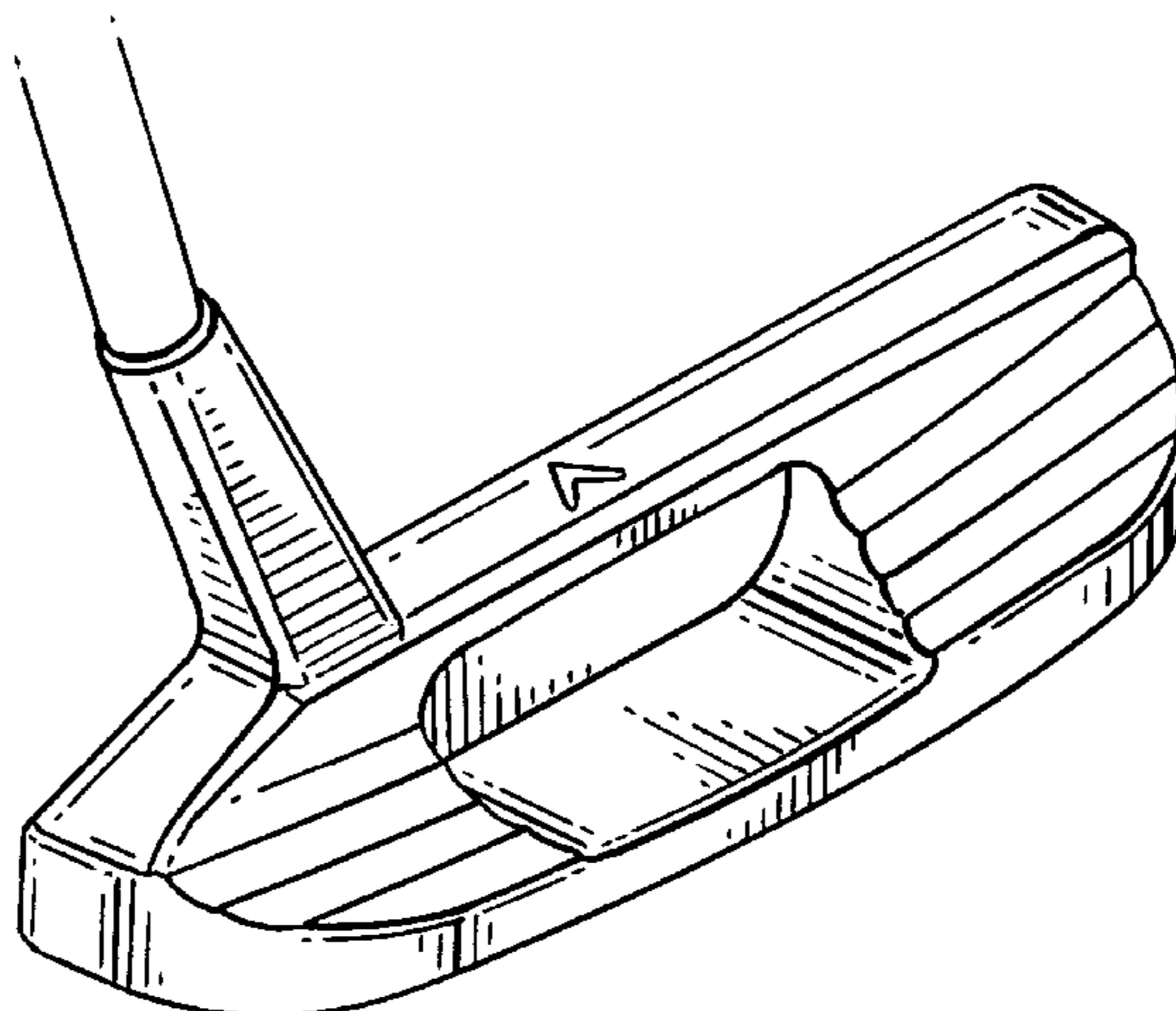
[57] CLAIM

The ornamental design for golf putter with angled hosel and recess-intercepting, curved flutes at rear side, as shown and described.

DESCRIPTION

FIG. 1 is a perspective view of our new design; FIG. 2 is a top plan view thereof; FIG. 3 is a rear view thereof; FIG. 4 is a front view thereof; FIG. 5 is a bottom plan view thereof; FIG. 6 is a toe end view thereof; and, FIG. 7 is a heel end view thereof.

1 Claim, 4 Drawing Sheets



U.S. PATENT DOCUMENTS					
			4,199,144	4/1980	Skelly .
			4,252,262	2/1981	Igarashi .
			4,272,572	6/1981	Netherly .
			4,330,128	5/1982	Morelli .
			4,398,965	8/1983	Campau .
			4,420,156	12/1983	Campau .
			4,498,672	2/1985	Bulla .
			4,573,685	3/1986	Young, IV et al. .
			4,632,400	12/1986	Boone .
			4,653,756	3/1987	Sato .
			4,655,459	4/1987	Antonious .
			4,660,832	4/1987	Shomo .
			4,679,792	7/1987	Straza et al. .
			4,695,054	9/1987	Tunstall .
			4,715,601	12/1987	Lamanna .
			4,736,949	4/1988	Muroi .
			4,740,345	4/1988	Nagasaki et al. .
			4,792,139	12/1988	Nagasaki et al. .
			4,798,383	1/1989	Nagasaki et al. .
			4,811,950	3/1989	Kobayashi .
			4,848,747	7/1989	Fujimura et al. .
			4,854,581	8/1989	Long .
			4,884,812	12/1989	Nagasaki et al. .
			4,928,972	5/1990	Nakanishi et al. .
			4,957,294	9/1990	Long .
			4,964,640	10/1990	Nakanishi et al. .
			4,995,609	2/1991	Parente et al. .
			5,016,882	5/1991	Fujimura et al. .
			5,026,056	6/1991	McNally et al. .
			5,046,733	9/1991	Antonious .
			5,060,949	10/1991	Brill .
			5,067,711	11/1991	Parente et al. .
			5,078,398	1/1992	Reed et al. .
			5,082,279	1/1992	Bull et al. .
			5,083,778	1/1992	Douglass .
			5,104,457	4/1992	Viljoen et al. .
			5,176,384	1/1993	Sata et a. .
			5,193,805	3/1993	Solheim .
			5,197,737	3/1993	Desbiolles et al. .
			5,246,231	9/1993	Antonious .
			5,248,145	9/1993	Brown .
			5,277,423	1/1994	Artus .
			5,282,625	2/1994	Schmidt et al. .
			5,290,036	3/1994	Fenton et al. .
			5,301,946	4/1994	Schmidt et al. .
			5,314,184	5/1994	Schmidt et al. .
			5,332,214	7/1994	Tucker, Sr. .
			5,340,107	8/1994	Baker et al. .
			5,460,377	10/1995	Schmidt et al. .
			5,464,218	11/1995	Schmidt et al. .
			5,485,997	1/1996	Schmidt et al. .
D. 344,117	2/1994	Helmstetter et al. .			
D. 352,984	11/1994	Helmstetter et al. .			
D. 356,843	3/1995	Schmidt et al. .			
D. 357,520	4/1995	Helmstetter et al. .			
D. 360,445	7/1995	Schmidt et al. .			
D. 364,906	12/1995	Schmidt et al. .			
D. 365,130	12/1995	Schmidt et al. .			
D. 371,180	6/1996	Grace .			
D. 385,933	11/1997	Rollinson et al. D21/746			
D. 388,851	1/1998	Rollinson et al. D21/746			
D. 401,651	11/1998	Cleveland et al. D21/736			
D. 402,722	12/1998	Rollinson D21/742			
D. 407,445	3/1999	Rollinson et al. D21/743			
922,444	5/1909	Youds .			
1,485,685	3/1924	McMahon .			
1,511,479	10/1924	Kelly et al. .			
1,517,476	12/1924	Tyler .			
1,678,637	7/1928	Drevitson .			
1,854,548	4/1932	Hunt .			
1,894,706	1/1933	Reach .			
1,894,707	1/1933	Reach .			
1,906,239	5/1933	Reach .			
1,946,007	2/1934	Watson .			
1,953,604	4/1934	Heller .			
1,980,408	11/1934	Jansky .			
1,993,928	3/1935	Glover .			
2,129,068	9/1938	Reach .			
2,661,952	12/1953	Jackson .			
2,781,197	2/1957	Wiley .			
2,846,228	8/1958	Reach .			
3,043,596	7/1962	Ehmke .			
3,134,596	5/1964	Boznos .			
3,211,455	10/1965	Hyden .			
3,218,072	11/1965	Burr .			
3,240,497	3/1966	Taylor .			
3,333,854	8/1967	White .			
3,387,844	6/1968	Shippee .			
3,680,868	8/1972	Jacob .			
3,749,408	7/1973	Mills .			
3,815,910	6/1974	Raines .			
3,841,641	10/1974	Bennett .			
3,843,122	10/1974	Florian .			
3,863,932	2/1975	Lezatte .			
3,888,492	6/1975	Cabot .			
3,923,308	12/1975	Mills .			
3,966,210	6/1976	Rozmus .			
3,967,826	7/1976	Judice .			
3,989,248	11/1976	Campau .			
4,000,902	1/1977	Perkins .			
4,121,832	10/1978	Ebbing .			

FIG. 1.

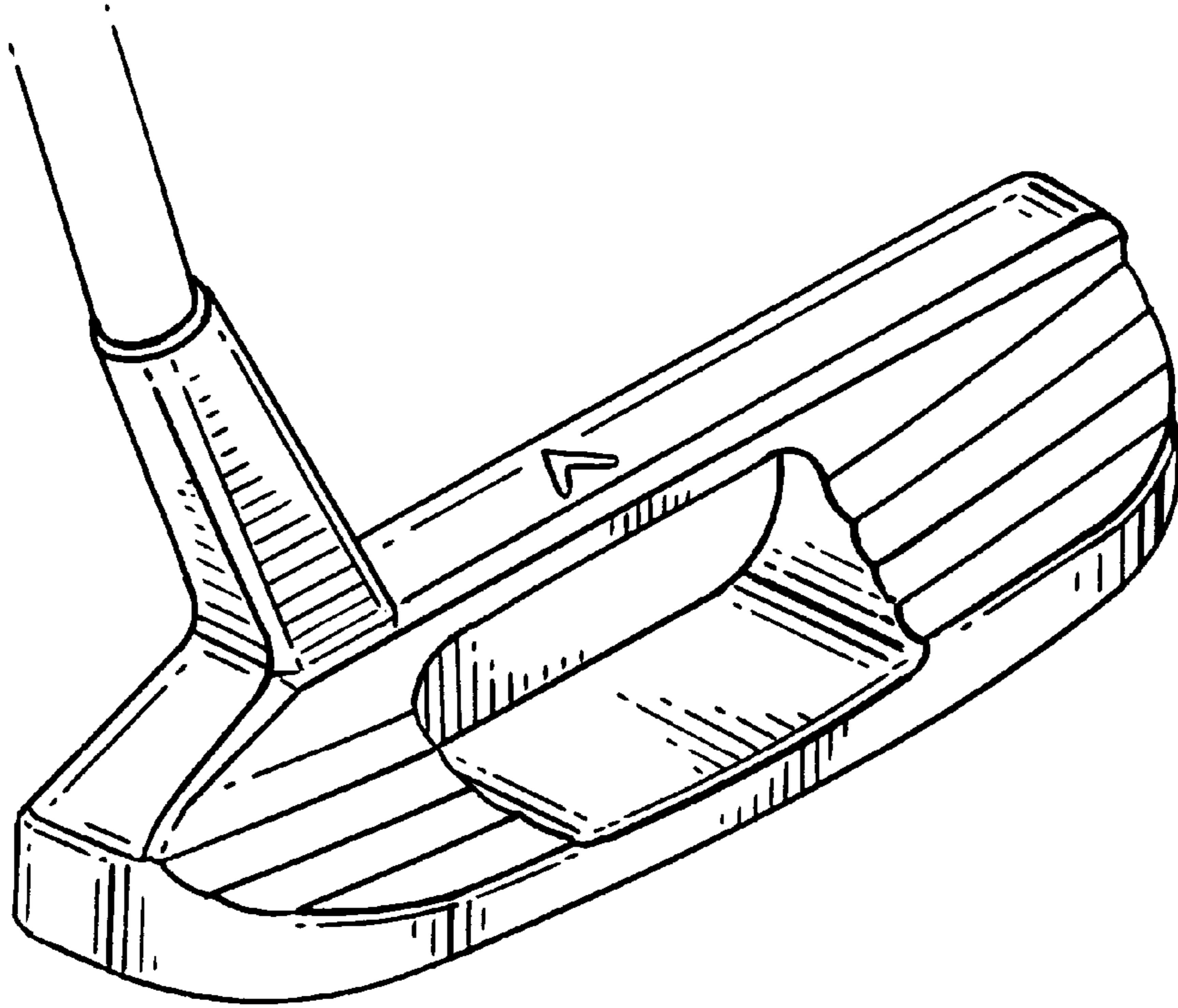


FIG. 2.

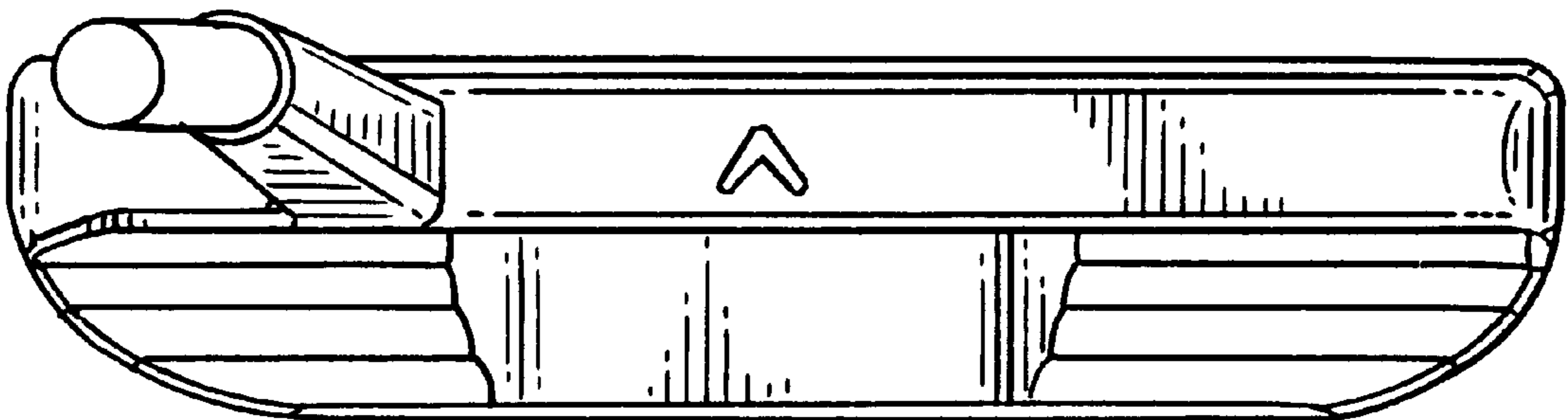


FIG. 3.

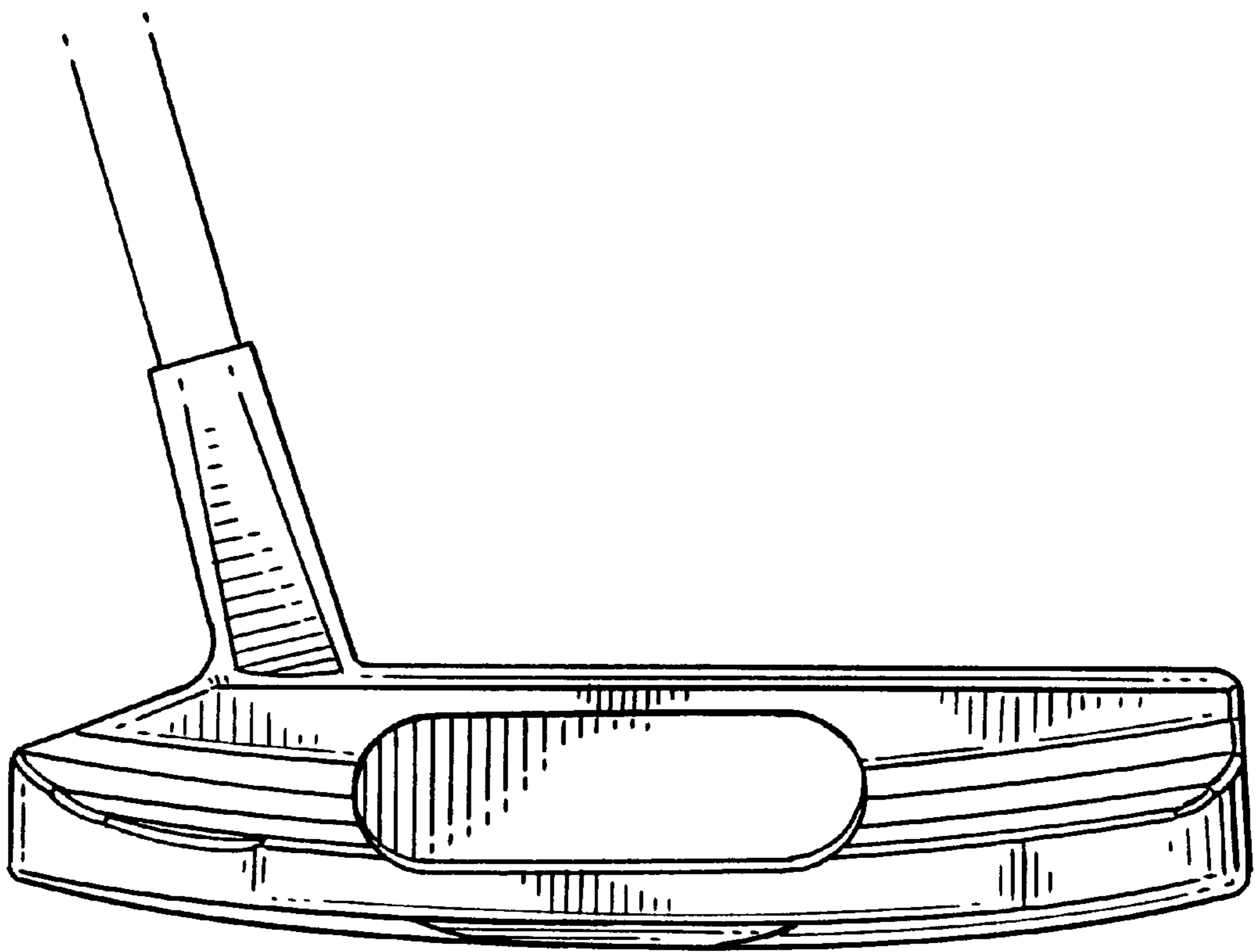


FIG. 4.

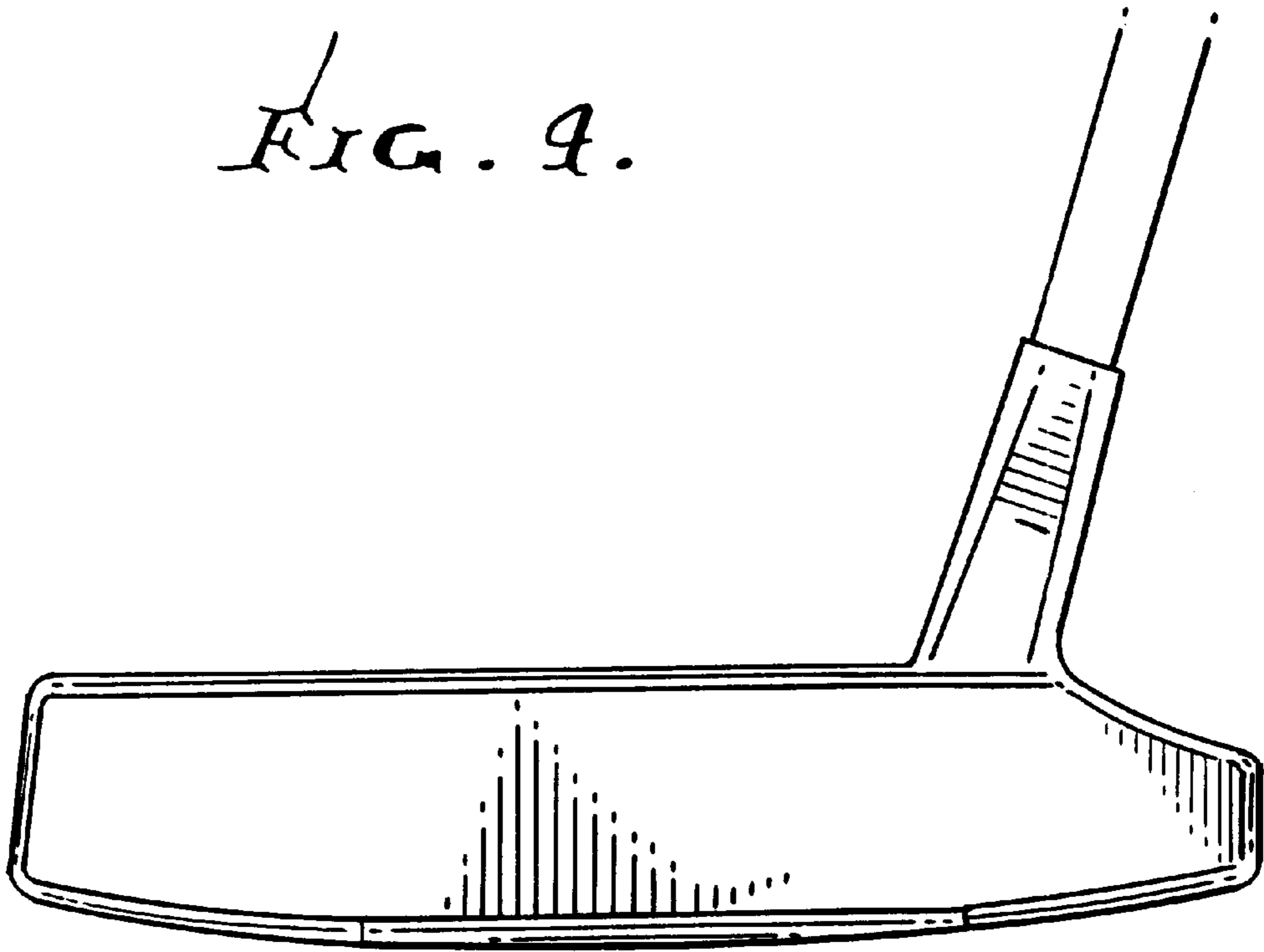


FIG. 5.

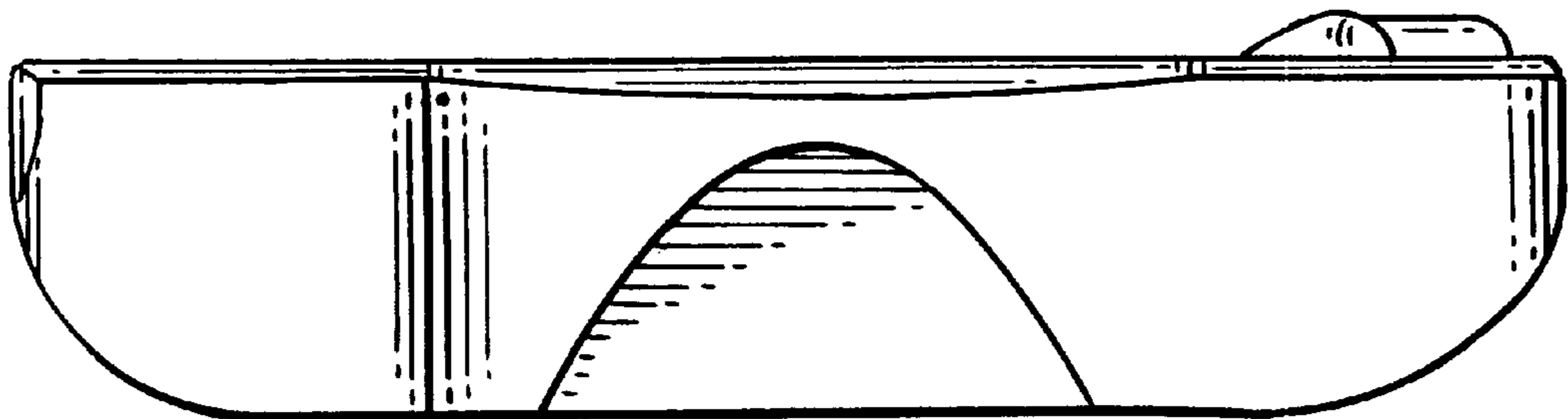


FIG. 6.

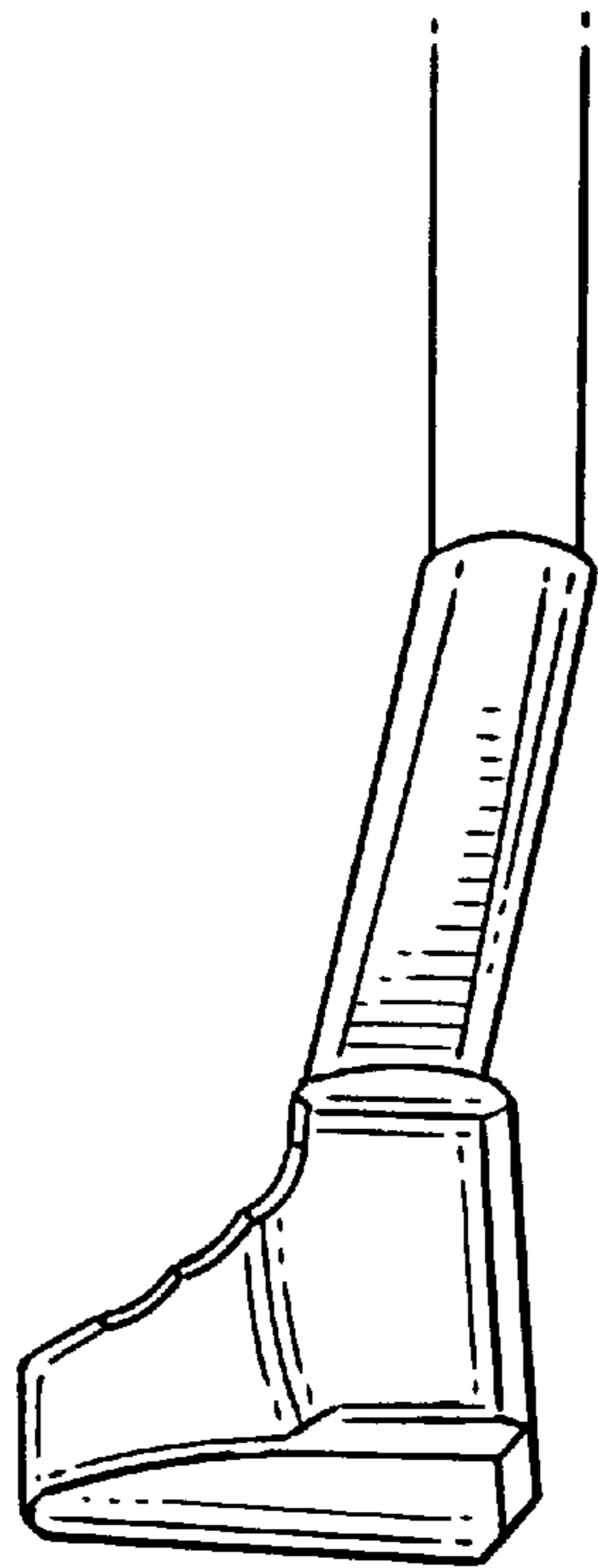


FIG. 7.

