



US00D414827S

# United States Patent [19] Rago

[11] **Patent Number: Des. 414,827**  
[45] **Date of Patent: \*\* Oct. 5, 1999**

[54] **TOY GUN**

[75] **Inventor: Paul Rago, Pleasanton, Calif.**

[73] **Assignee: Tiger Electronics, Ltd., Pawtucket, R.I.**

[\*\*] **Term: 14 Years**

[21] **Appl. No.: 29/072,703**

[22] **Filed: Jun. 25, 1997**

[51] **LOC (6) Cl. .... 21-01**

[52] **U.S. Cl. .... D21/573**

[58] **Field of Search ..... D21/567-575;**  
D22/100, 103-104, 108; 446/180, 219,  
267, 430, 473, 475; 124/6, 16, 73-76, 83-85;  
222/78-79; 42/54

[56] **References Cited**

**U.S. PATENT DOCUMENTS**

D. 159,897	8/1950	Edelstone et al. ....	D21/572
D. 174,731	5/1955	Barricks .....	D21/574
D. 187,803	5/1960	Barricks .....	D21/574
D. 286,308	10/1986	Mayer et al. .	
D. 303,130	8/1989	Noble .	
D. 308,400	6/1990	Ferri .	

D. 316,123	4/1991	Shiung-Fei .	
D. 372,506	8/1996	Kino .....	D21/572
D. 374,041	9/1996	Oikawa .....	D14/117.8
4,808,143	2/1989	Kuo .	

*Primary Examiner*—Raphael Barkai  
*Attorney, Agent, or Firm*—Fitch, Even, Tabin & Flannery

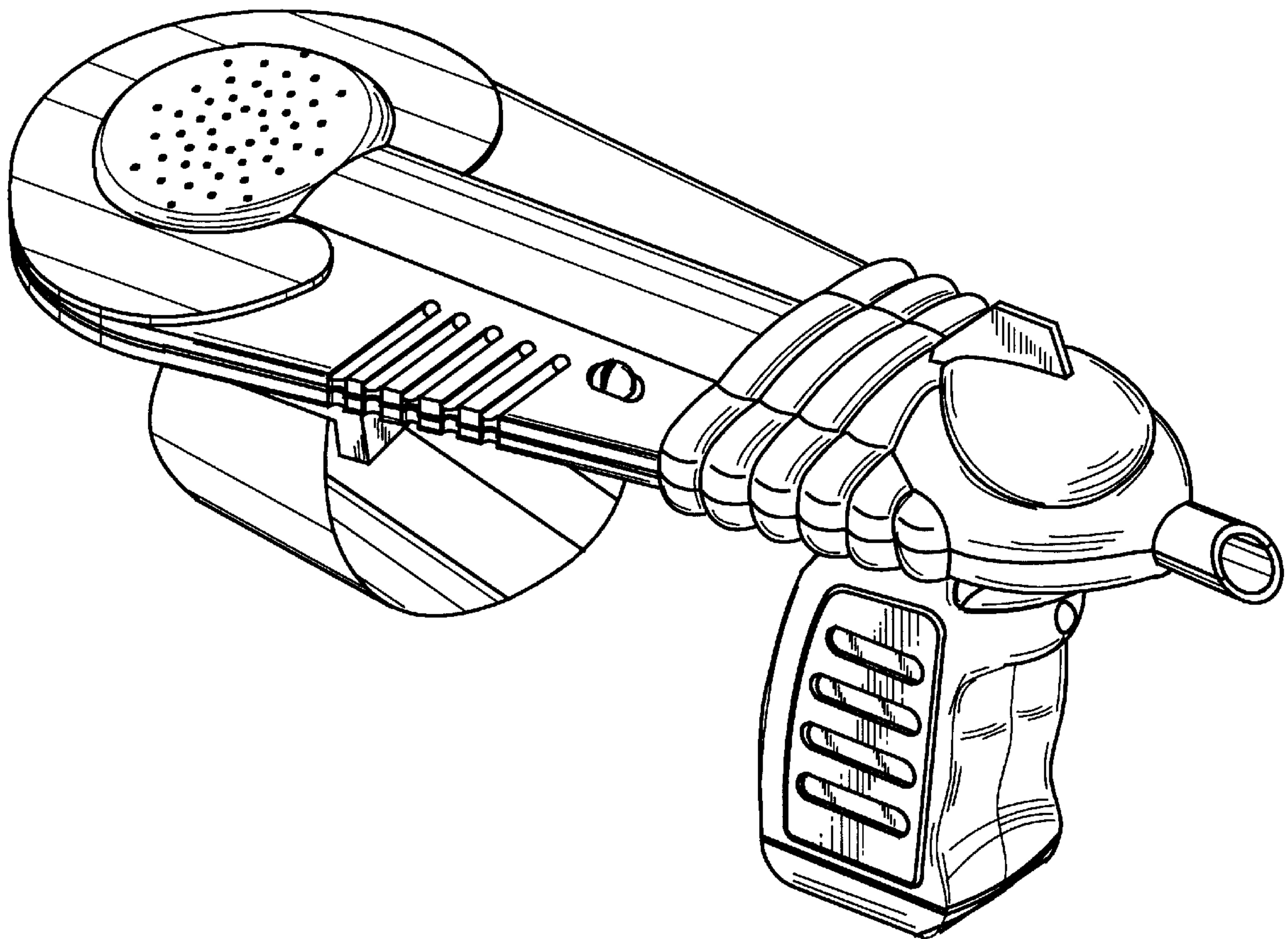
[57] **CLAIM**

I claim the ornamental design for a toy gun, as shown and described.

**DESCRIPTION**

FIG. 1 is a perspective view of the toy gun according to my new design;  
FIG. 2 is a top plan view of the toy gun of FIG. 1;  
FIG. 3 is a bottom plan view of the toy gun of FIG. 1;  
FIG. 4 is a left side elevational view of the toy gun of FIG. 1;  
FIG. 5 is a right side elevational view of the toy gun of FIG. 1;  
FIG. 6 is a front elevational view of the toy gun of FIG. 1; and,  
FIG. 7 is a rear elevatiional view of the toy gun of FIG. 1.

**1 Claim, 4 Drawing Sheets**



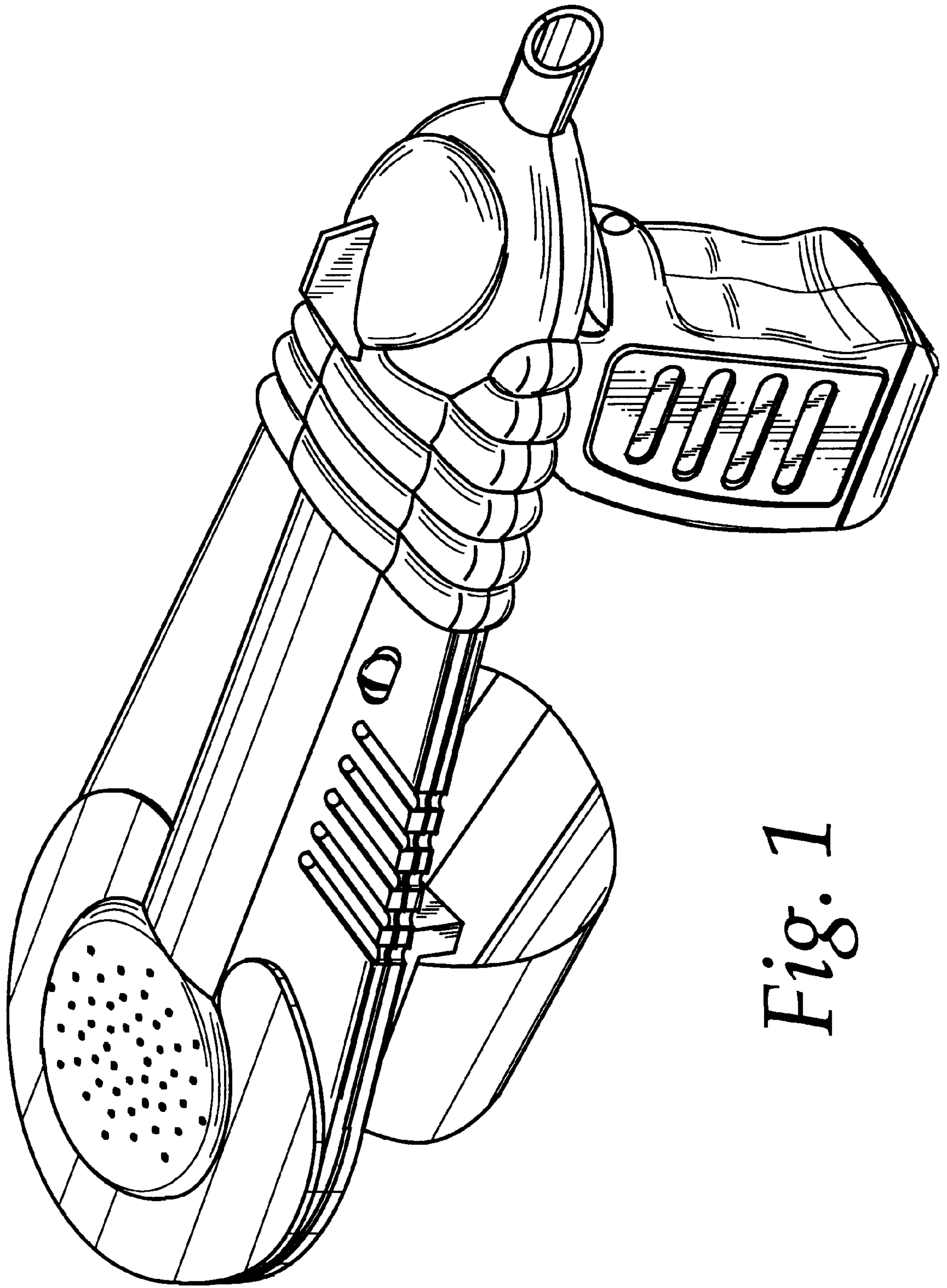
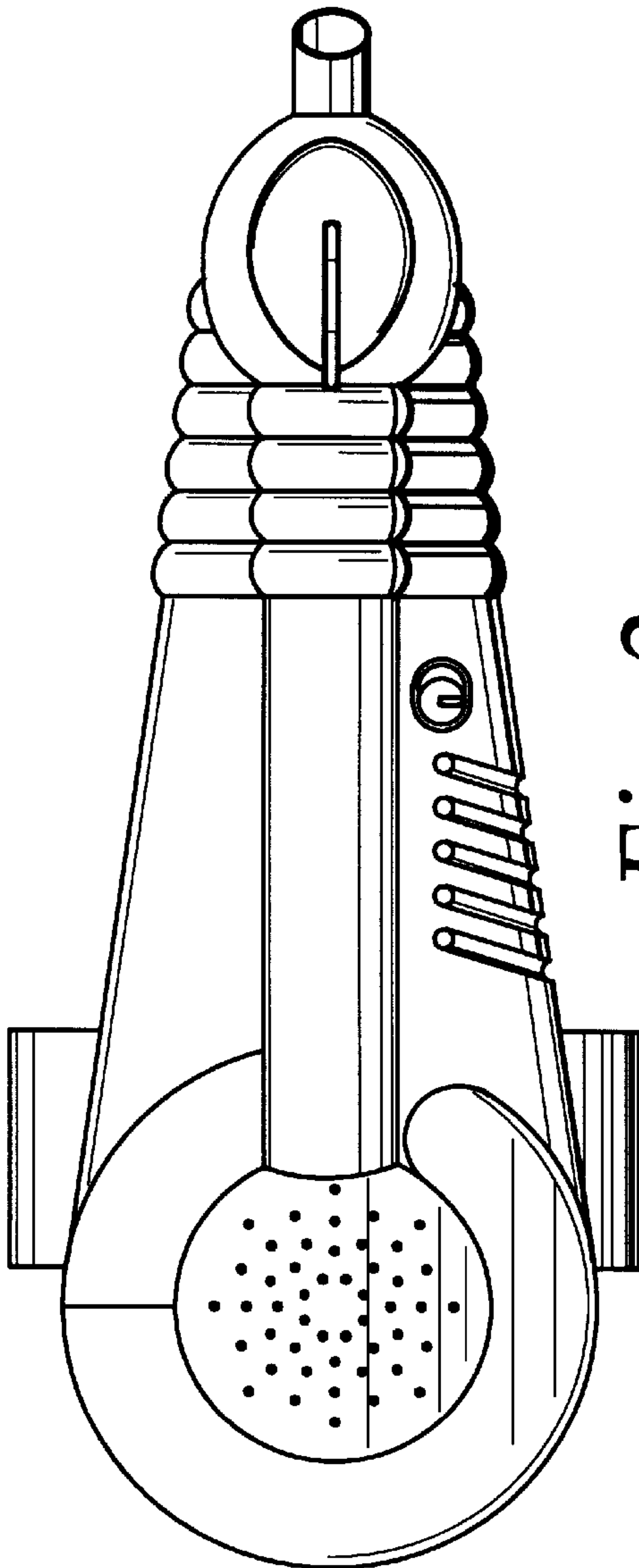
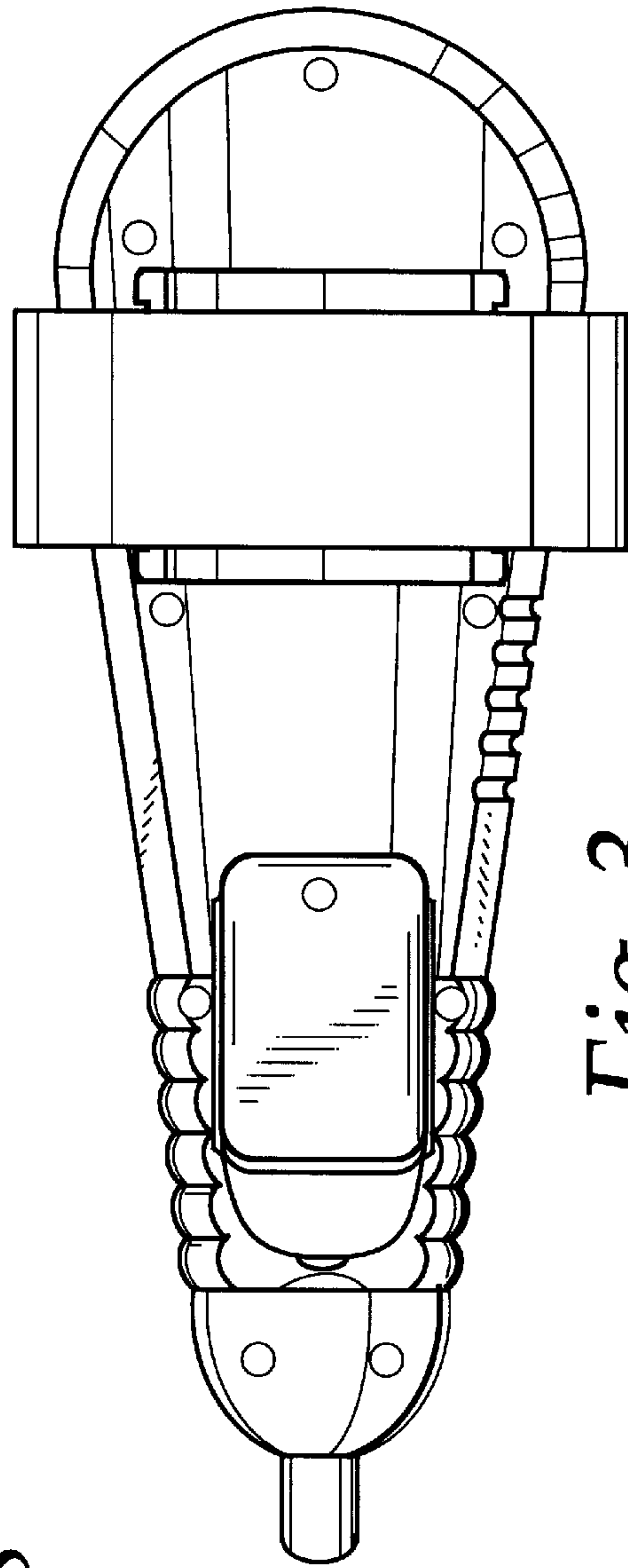


Fig. 1



*Fig. 2*



*Fig. 3*

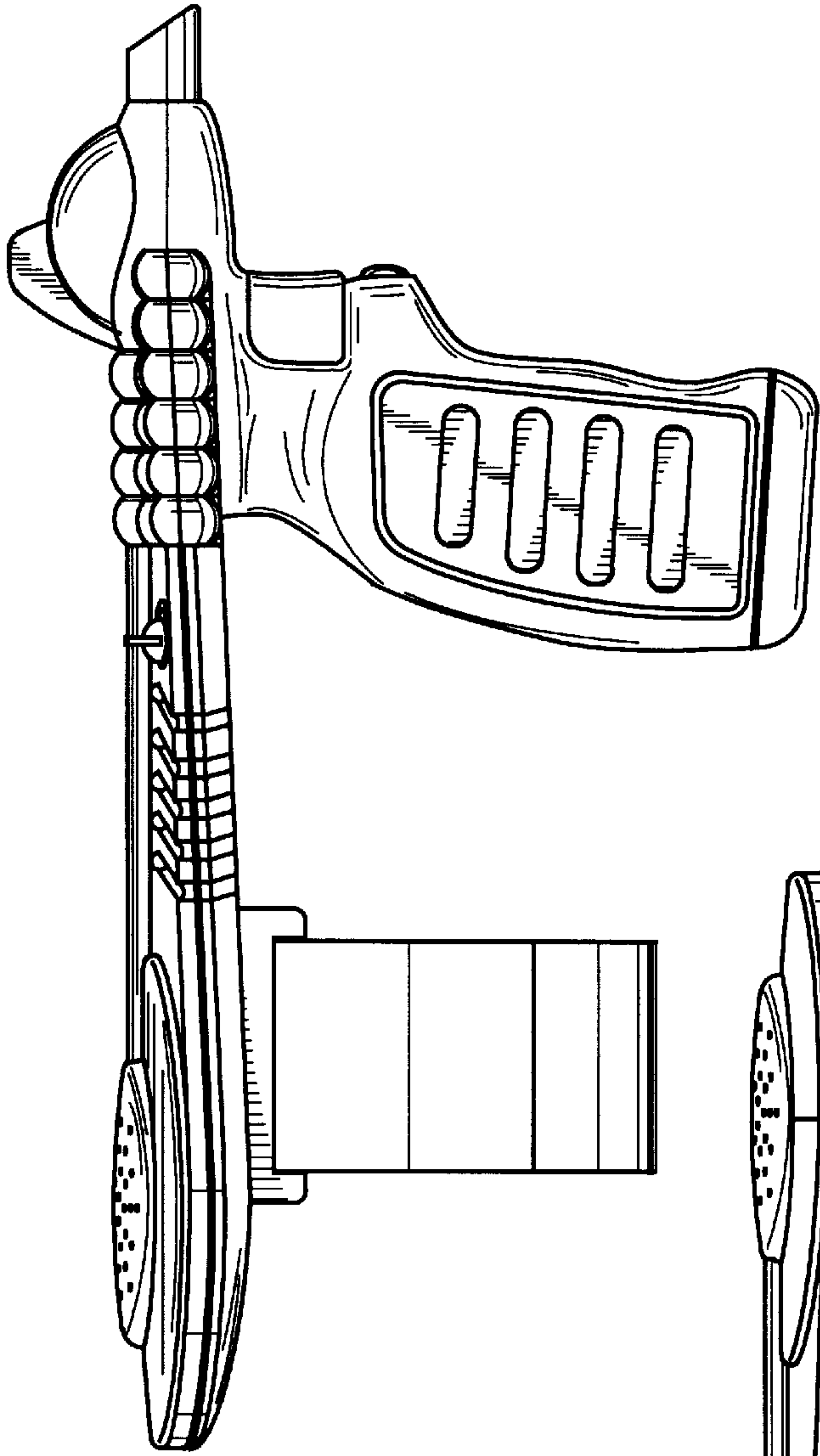


Fig. 4

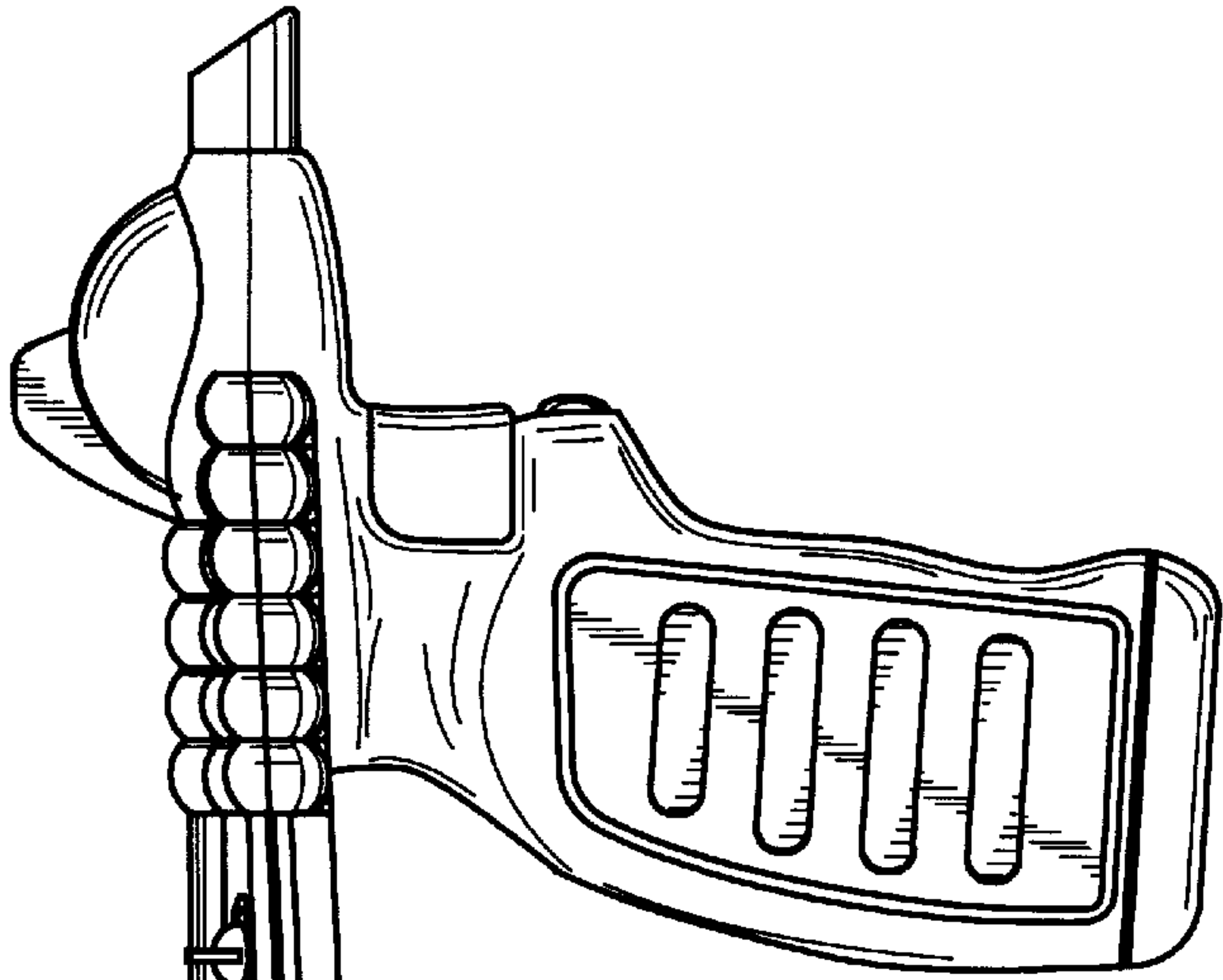
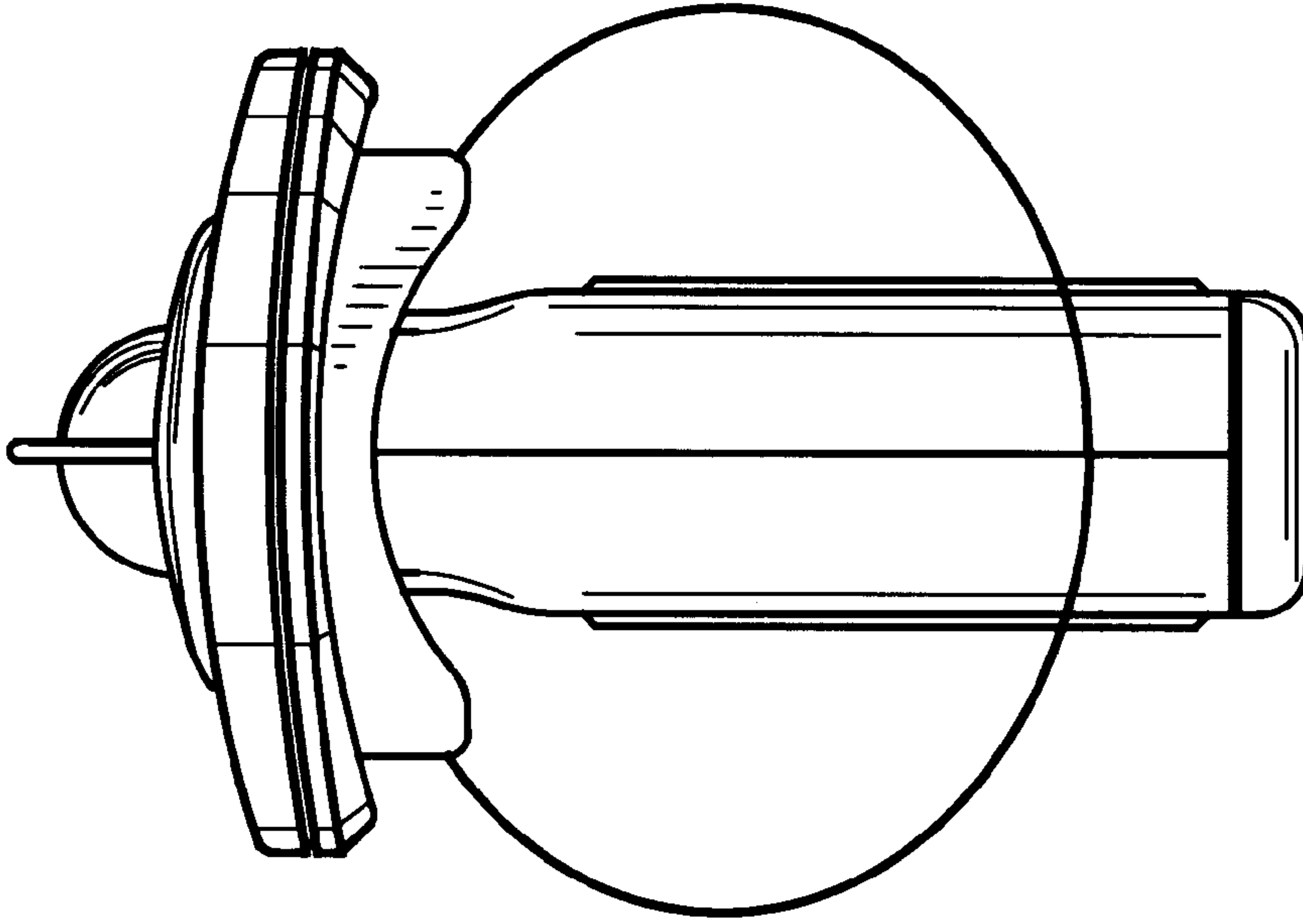
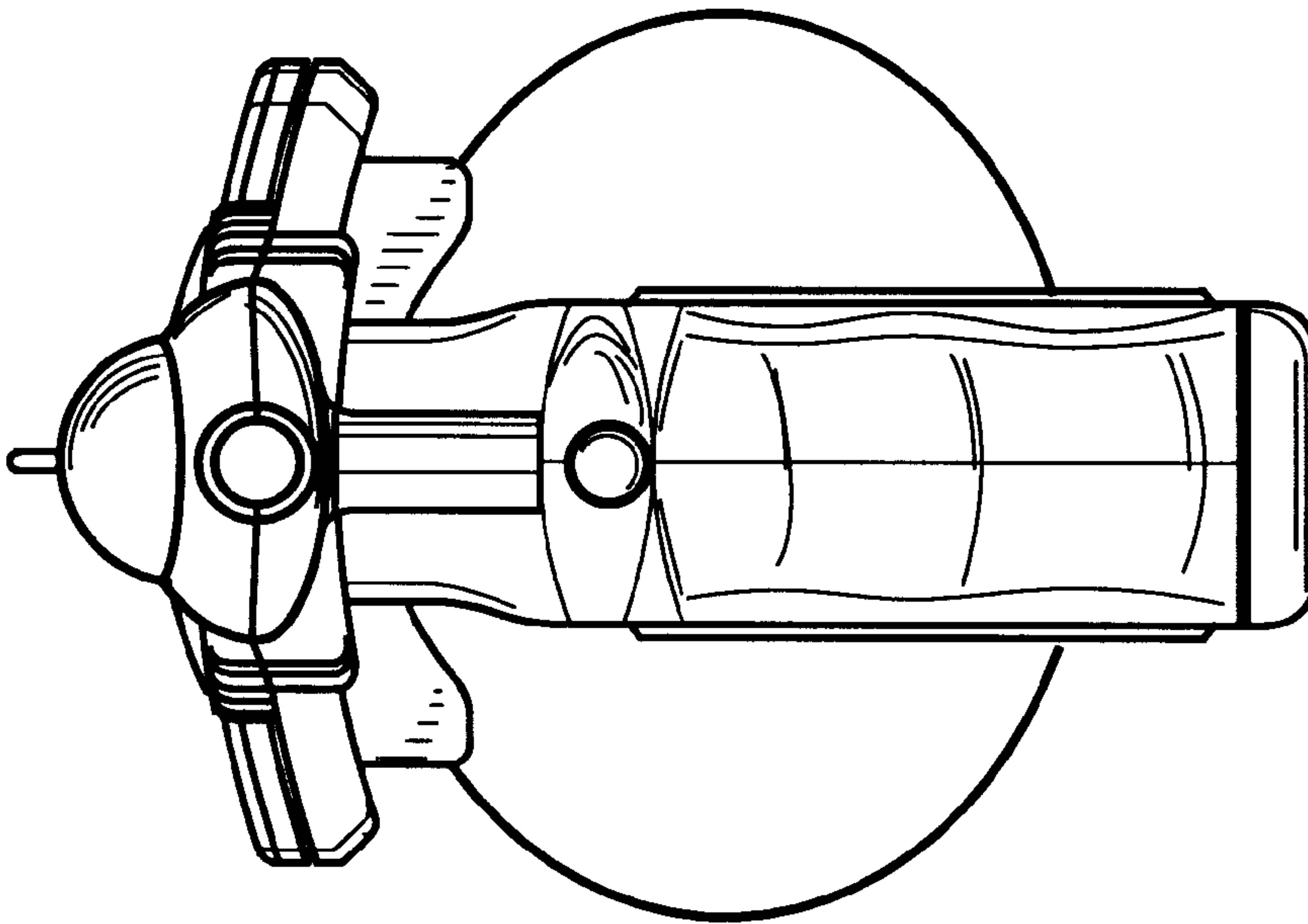


Fig. 5





*Fig. 7*



*Fig. 6*