



US00D414826S

# United States Patent [19]

[11] Patent Number: Des. 414,826

Rudy

[45] Date of Patent: \*\* Oct. 5, 1999

[54] **TOY-BLOCK WITH ANGLED TAPERED RAIL EXTENSION**

[75] Inventor: Eric A. Rudy, Philadelphia Township, Pa.

[73] Assignee: 90 Degrees, Inc., Philadelphia, Pa.

[\*\*] Term: 14 Years

[21] Appl. No.: 29/096,717

[22] Filed: Nov. 19, 1998

[51] LOC (6) Cl. .... 21-01

[52] U.S. Cl. .... D21/504

[58] Field of Search ..... D21/484-505, D21/564-565; D25/113; 446/85, 88, 93-96, 102-111, 116-117, 119-121, 124-125, 128, 444-447, 476; 238/10 E, 10 F

[56] **References Cited**

U.S. PATENT DOCUMENTS

|            |         |              |       |           |
|------------|---------|--------------|-------|-----------|
| D. 221,092 | 7/1971  | Daenen       | ..... | D21/500   |
| D. 233,542 | 11/1974 | Christiansen | ..... | D34/15 GG |
| D. 290,627 | 6/1987  | Dideriksen   | ..... | D21/108   |
| D. 311,935 | 11/1990 | Andersen     | ..... | D21/108   |
| D. 336,120 | 6/1993  | Knudsen      | ..... | D4/108    |
| 351,799    | 11/1886 | Ruelius      | ..... | 238/10 E  |
| D. 355,452 | 2/1995  | Glynn        | ..... | D21/108   |
| D. 355,453 | 2/1995  | Glynn        | ..... | D21/108   |
| D. 355,454 | 2/1995  | Glynn        | ..... | D21/108   |
| D. 355,681 | 2/1995  | Glynn        | ..... | D21/108   |
| D. 356,124 | 3/1995  | Glynn        | ..... | D21/108   |
| D. 367,898 | 3/1996  | Glynn        | ..... | D21/108   |
| D. 377,377 | 1/1997  | Glynn        | ..... | D21/108   |
| 1,281,856  | 10/1918 | Shaw         | .     |           |
| 1,838,509  | 12/1931 | Westcott     | ..... | 238/10 E  |
| 1,971,545  | 8/1934  | Tompkins     | ..... | 446/121   |
| 2,020,562  | 11/1935 | Miller       | ..... | 46/35     |
| 2,031,194  | 2/1936  | Thompson     | ..... | 446/108   |
| 2,077,065  | 4/1937  | Johannes     | ..... | 46/25     |
| 2,861,388  | 11/1958 | Favaretto    | ..... | 446/124   |
| 3,127,175  | 3/1964  | White        | ..... | 273/132   |
| 3,234,683  | 2/1966  | Christiansen | ..... | 46/25     |

|           |         |               |       |         |
|-----------|---------|---------------|-------|---------|
| 3,242,610 | 3/1966  | Christiansen  | ..... | 46/26   |
| 3,415,007 | 12/1968 | Howe          | ..... | 46/19   |
| 3,545,122 | 12/1970 | Onanian       | ..... | 46/25   |
| 3,597,875 | 8/1971  | Christiansen  | ..... | 46/25   |
| 3,640,017 | 2/1972  | Christiansen  | ..... | 46/23   |
| 3,667,153 | 6/1972  | Christiansen  | ..... | 46/30   |
| 3,690,031 | 9/1972  | Shinoda       | ..... | 46/17   |
| 3,791,090 | 2/1974  | Knifel        | ..... | 52/593  |
| 3,803,754 | 4/1974  | Fischer       | ..... | 46/26   |
| 4,044,497 | 8/1977  | Bettens       | ..... | 46/17   |
| 4,182,072 | 1/1980  | Much          | ..... | 46/17   |
| 4,185,410 | 1/1980  | Kristiansen   | ..... | 46/23   |
| 4,253,268 | 3/1981  | Mayr          | ..... | 46/30   |
| 4,403,733 | 9/1983  | Bach et al.   | ..... | 238/10  |
| 4,726,515 | 2/1988  | Bolli et al.  | ..... | 238/10  |
| 5,049,104 | 9/1991  | Olsen         | ..... | 446/104 |
| 5,061,218 | 10/1991 | Garage et al. | ..... | 446/102 |
| 5,094,643 | 3/1992  | Bolli et al.  | ..... | 446/121 |
| 5,209,693 | 5/1993  | Lyman         | ..... | 446/104 |
| 5,411,428 | 5/1995  | Orii et al.   | ..... | 446/90  |
| 5,427,558 | 6/1995  | Knudsen       | ..... | 446/102 |
| 5,527,201 | 6/1996  | Maddock       | ..... | 446/104 |
| 5,823,843 | 10/1998 | Pohlman       | ..... | 446/108 |

OTHER PUBLICATIONS

Lego Catalog, p. 25, Jan. 1997.

Primary Examiner—Raphael Barkai  
Attorney, Agent, or Firm—Kenneth P. Glynn, Esq

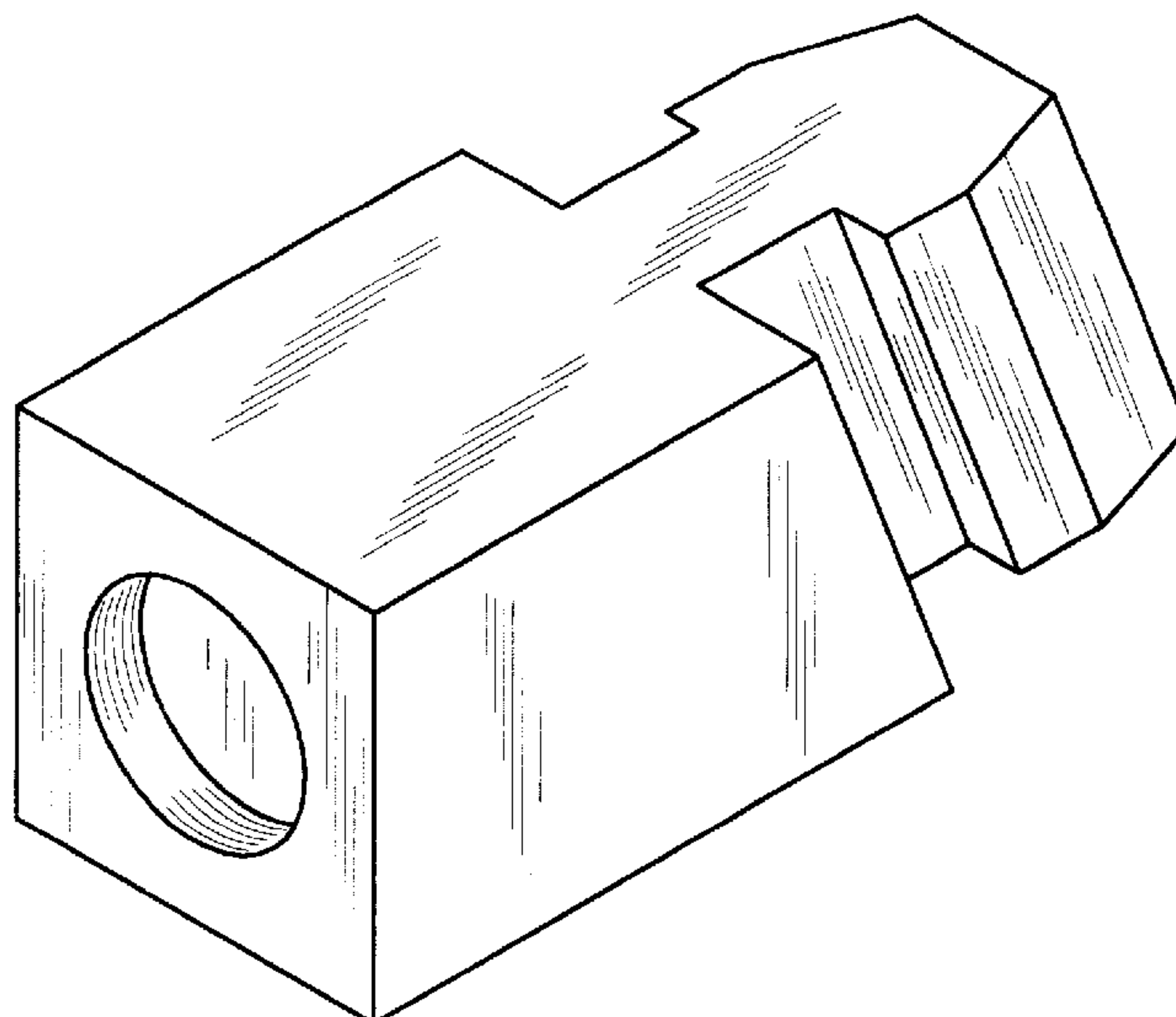
[57] **CLAIM**

The ornamental design for a toy-block with angled tapered rail extension, as shown and described.

**DESCRIPTION**

FIG. 1 is a perspective view of a toy-block with angled tapered rail extension showing my new design; FIG. 2 is a top plan view thereof; FIG. 3 is a first side elevational view thereof; FIG. 4 is a second side elevational view thereof; FIG. 5 is a third side elevational view thereof; FIG. 6 is a fourth side elevational view thereof; and, FIG. 7 is a bottom plan view thereof.

1 Claim, 1 Drawing Sheet



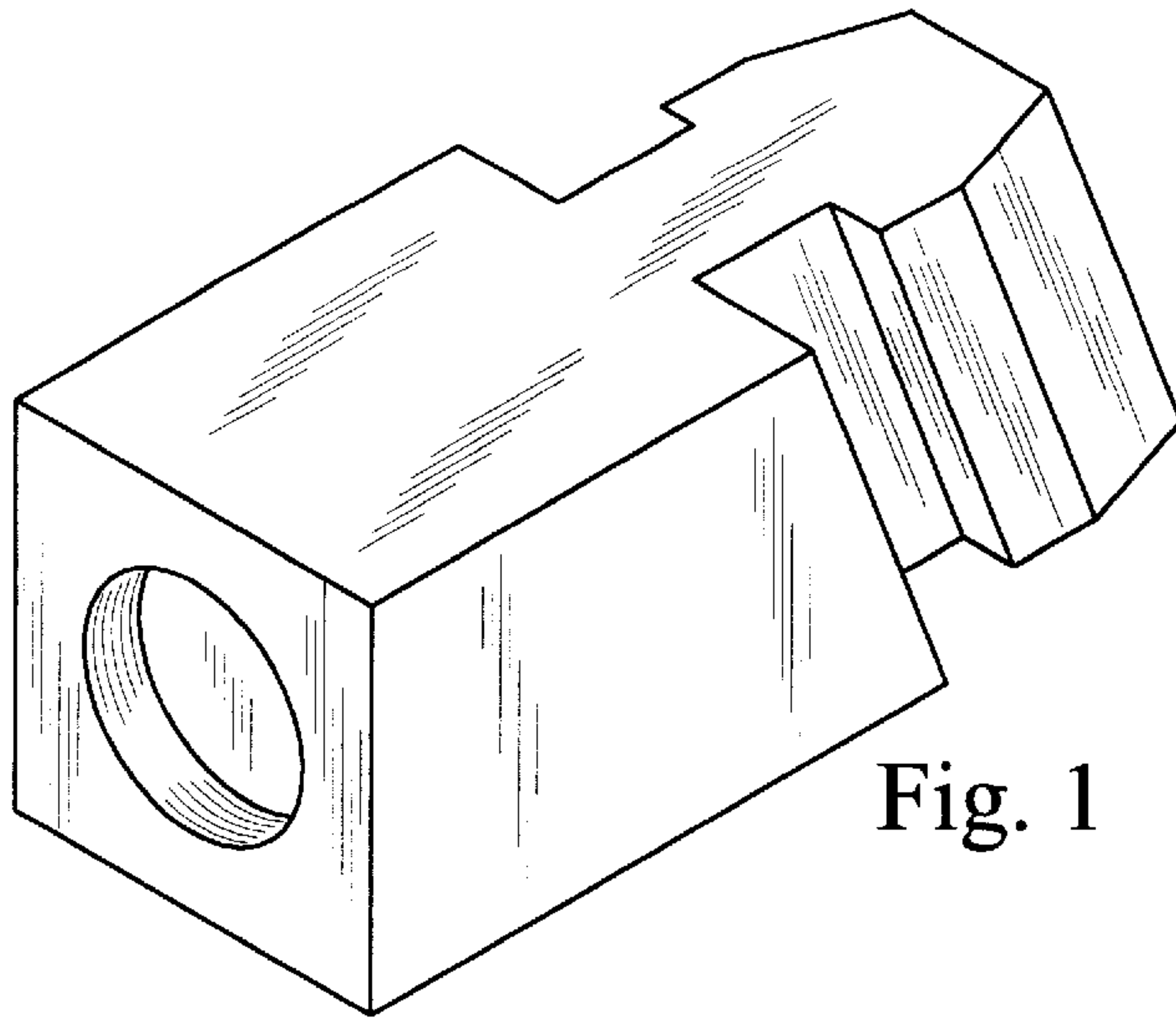


Fig. 1

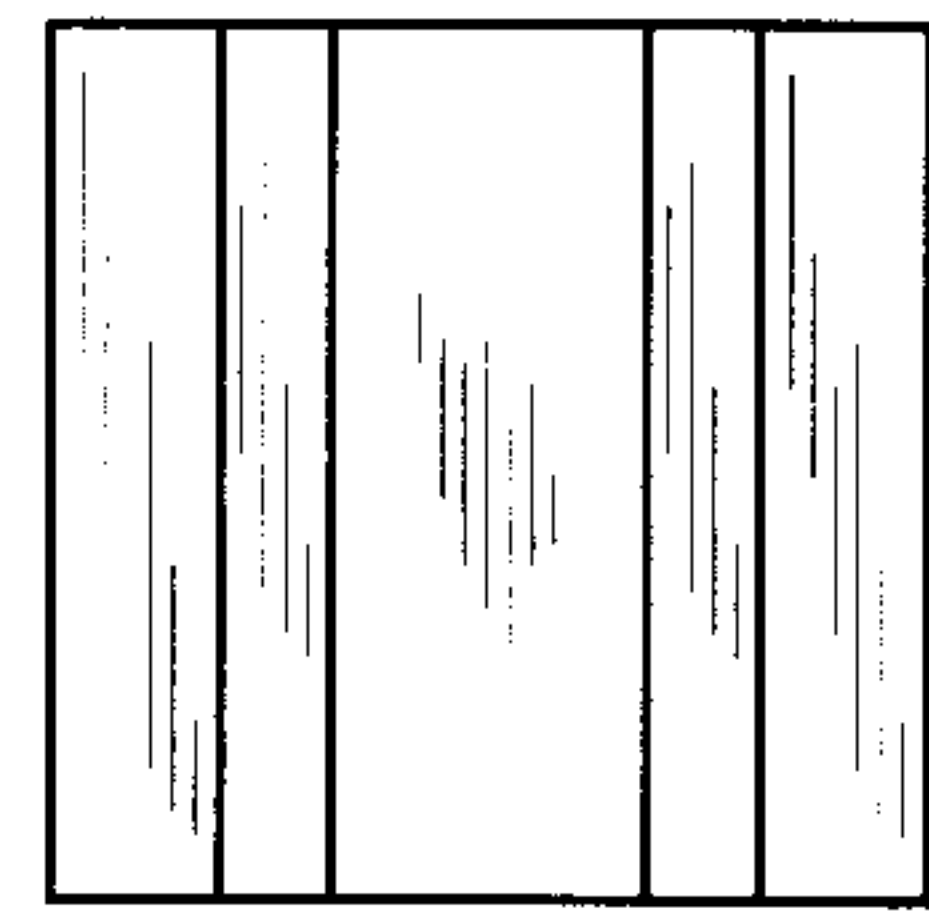


Fig. 2

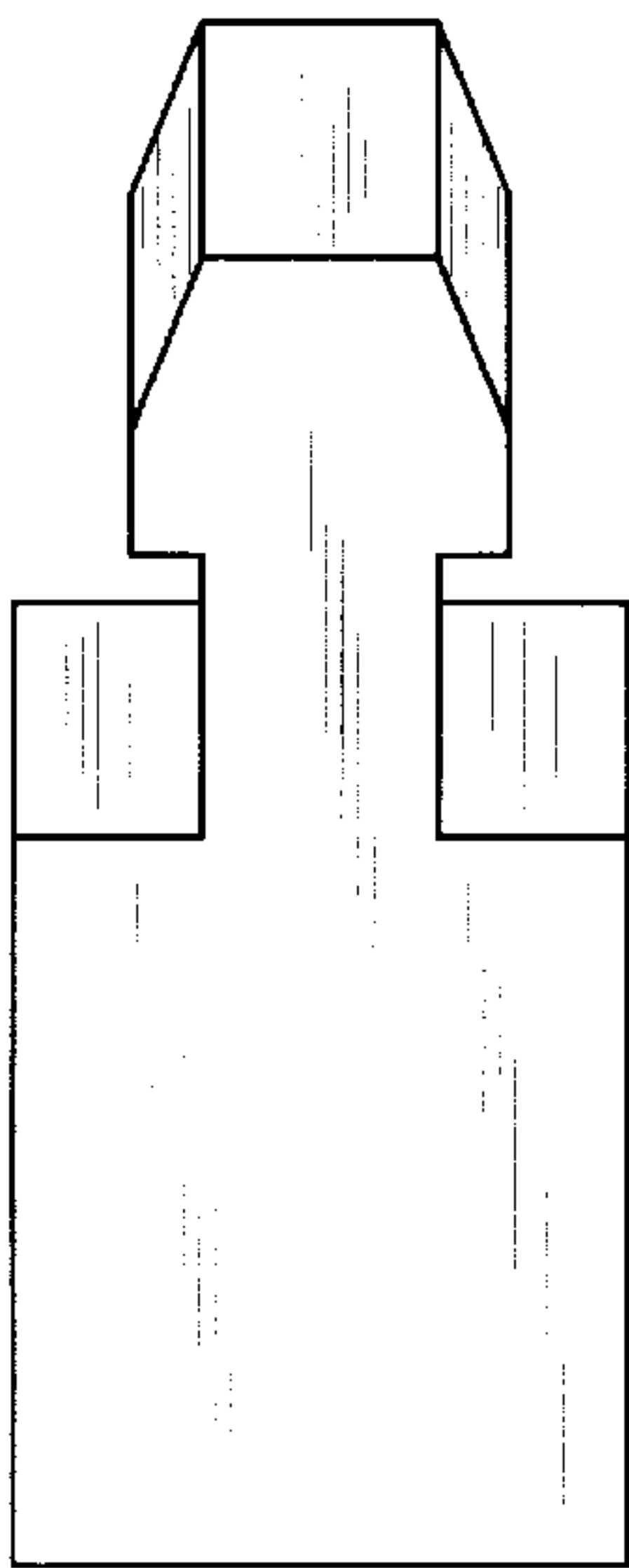


Fig. 3

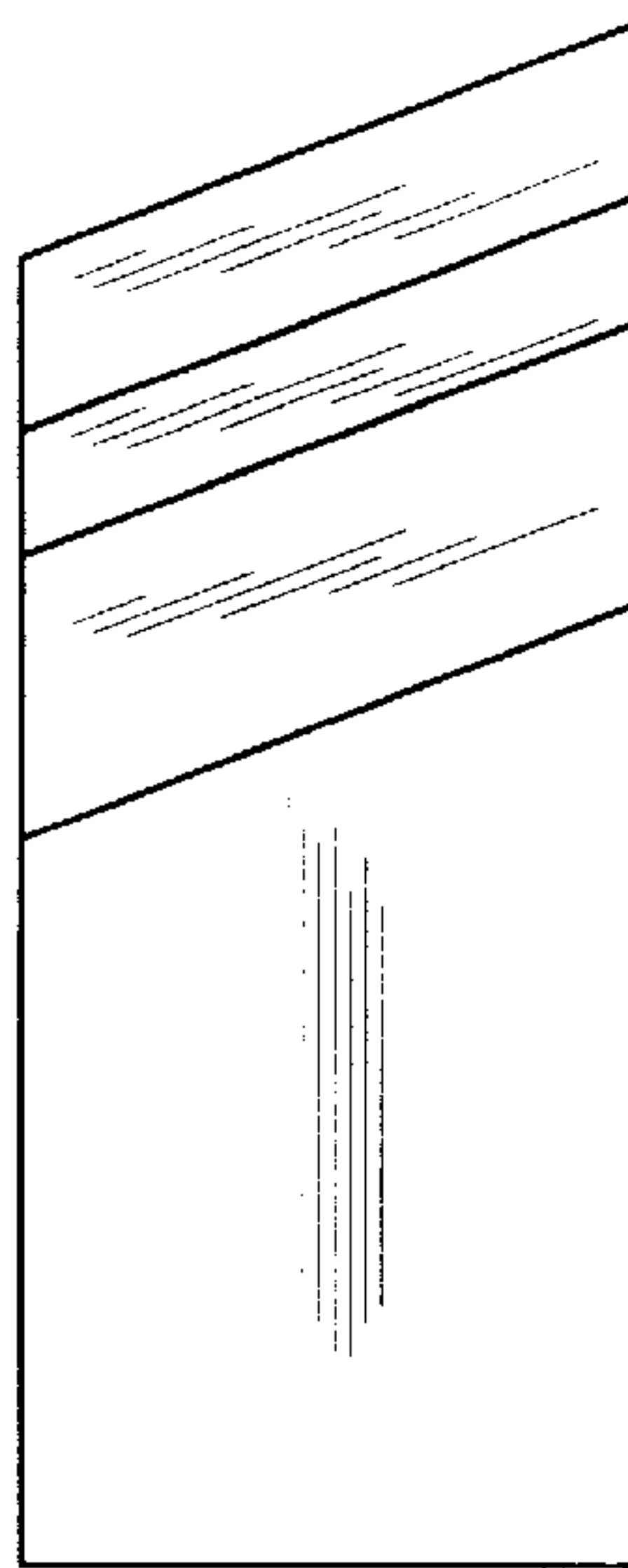


Fig. 4

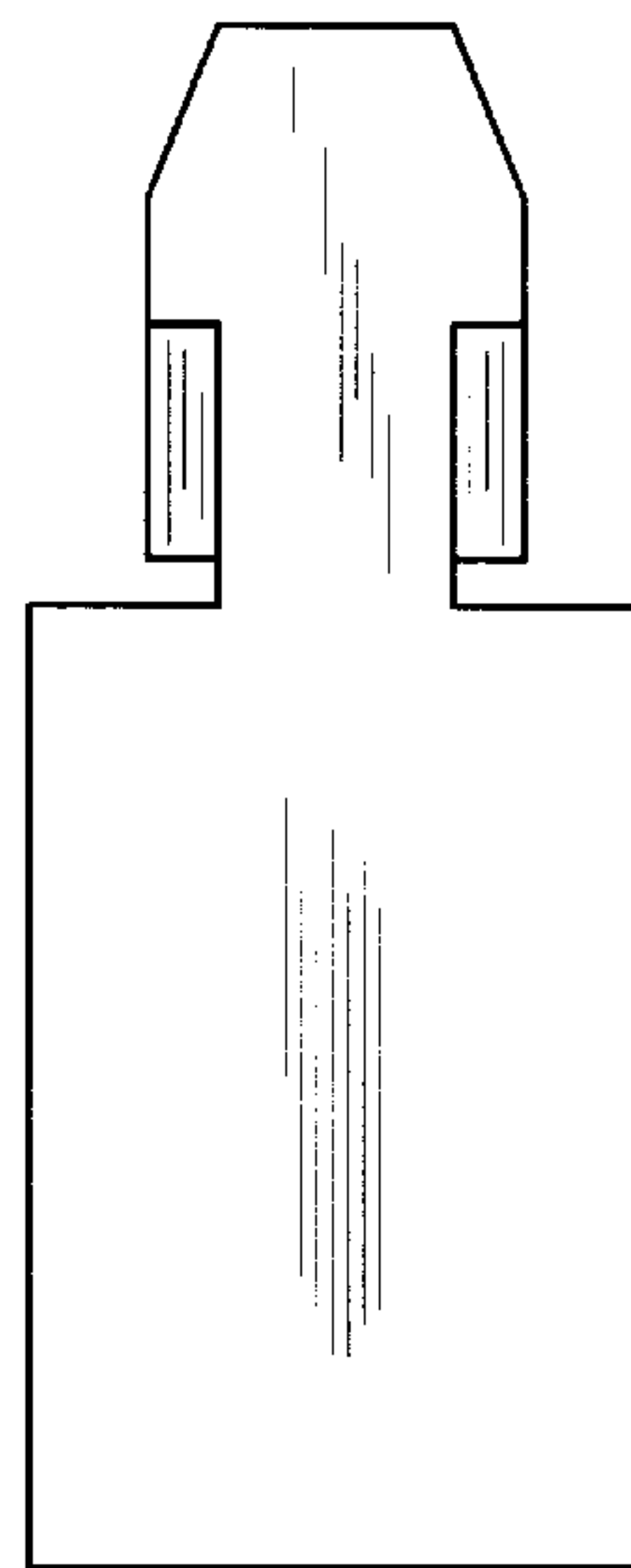


Fig. 5

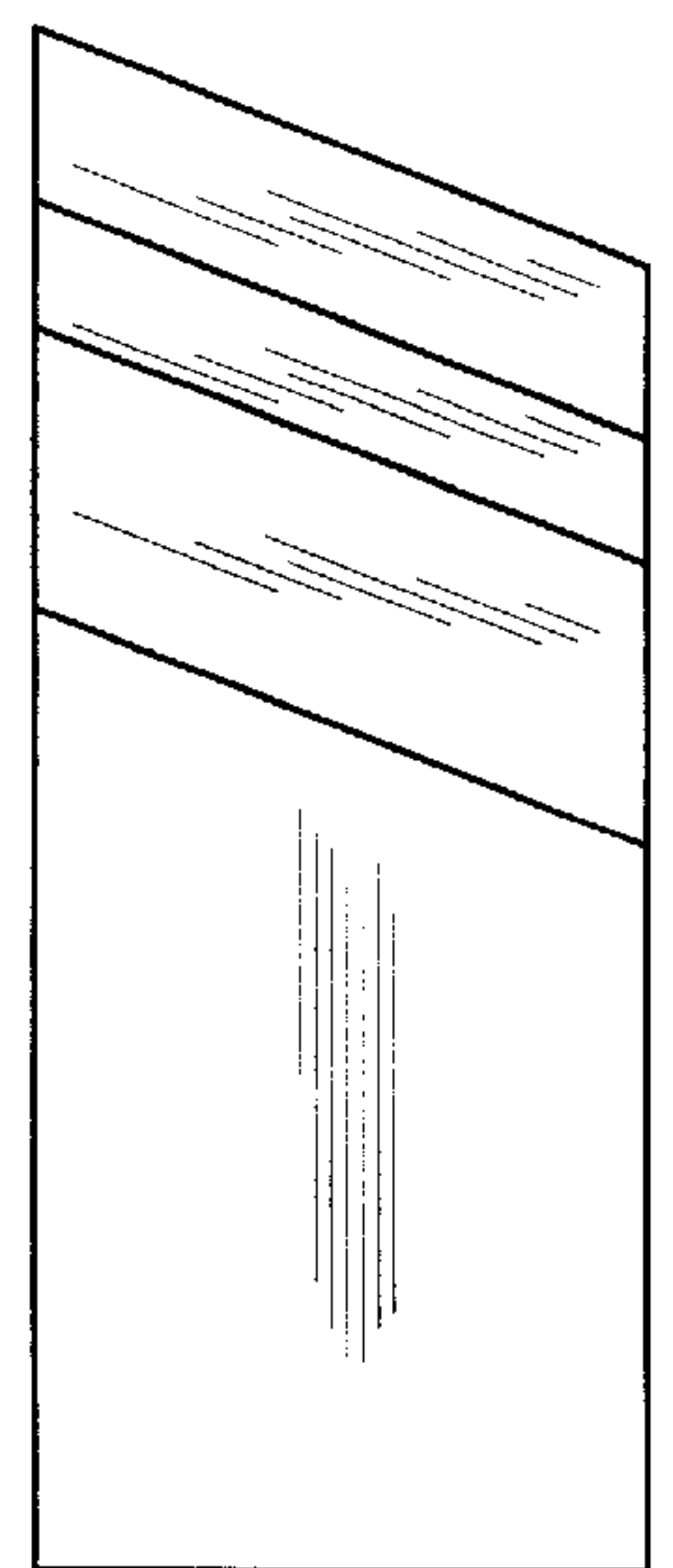


Fig. 6

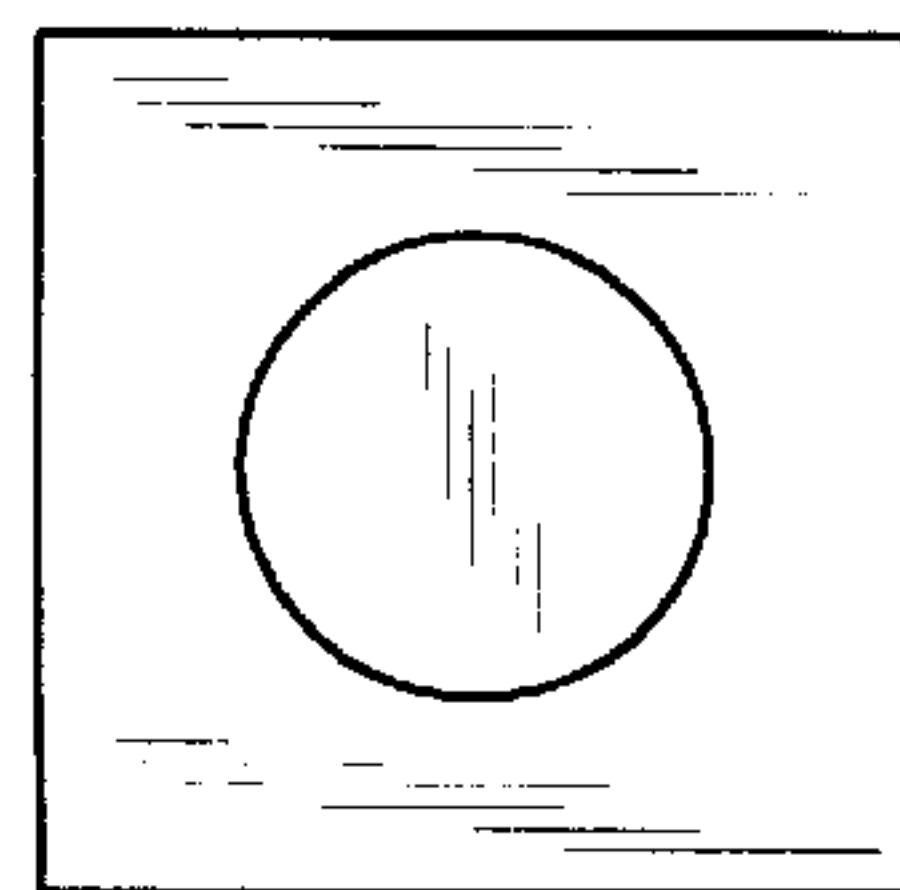


Fig. 7