



US00D414815S

United States Patent [19]
McDonald

[11] **Patent Number: Des. 414,815**

[45] **Date of Patent: ** Oct. 5, 1999**

[54] **SPORT MANNEQUIN**

[76] Inventor: **Dar'rell McDonald**, P.O. Box 702793,
Dallas, Tex. 75370-2793

[**] Term: **14 Years**

[21] Appl. No.: **29/094,122**

[22] Filed: **Sep. 25, 1998**

[51] **LOC (6) Cl.** **20-03**

[52] **U.S. Cl.** **D20/31**

[58] **Field of Search** D20/10, 29, 31,
D20/32; D21/621; 273/66, 67, 69, 120;
40/538

[56] **References Cited**

U.S. PATENT DOCUMENTS

D. 78,366	4/1929	Shepard	D20/31
D. 110,957	8/1938	Chisholm	D20/31
172,709	1/1876	Crandall	D20/31
2,887,257	5/1959	Itkonen	223/69
3,552,749	1/1971	Piggotte	.	
3,969,837	7/1976	Kresse	40/538
4,545,514	10/1985	Toy	223/66
5,265,779	11/1993	Jiang	223/68

Primary Examiner—Susan J. Lucas
Assistant Examiner—Jennifer Rivard
Attorney, Agent, or Firm—Haynes and Boone, LLP

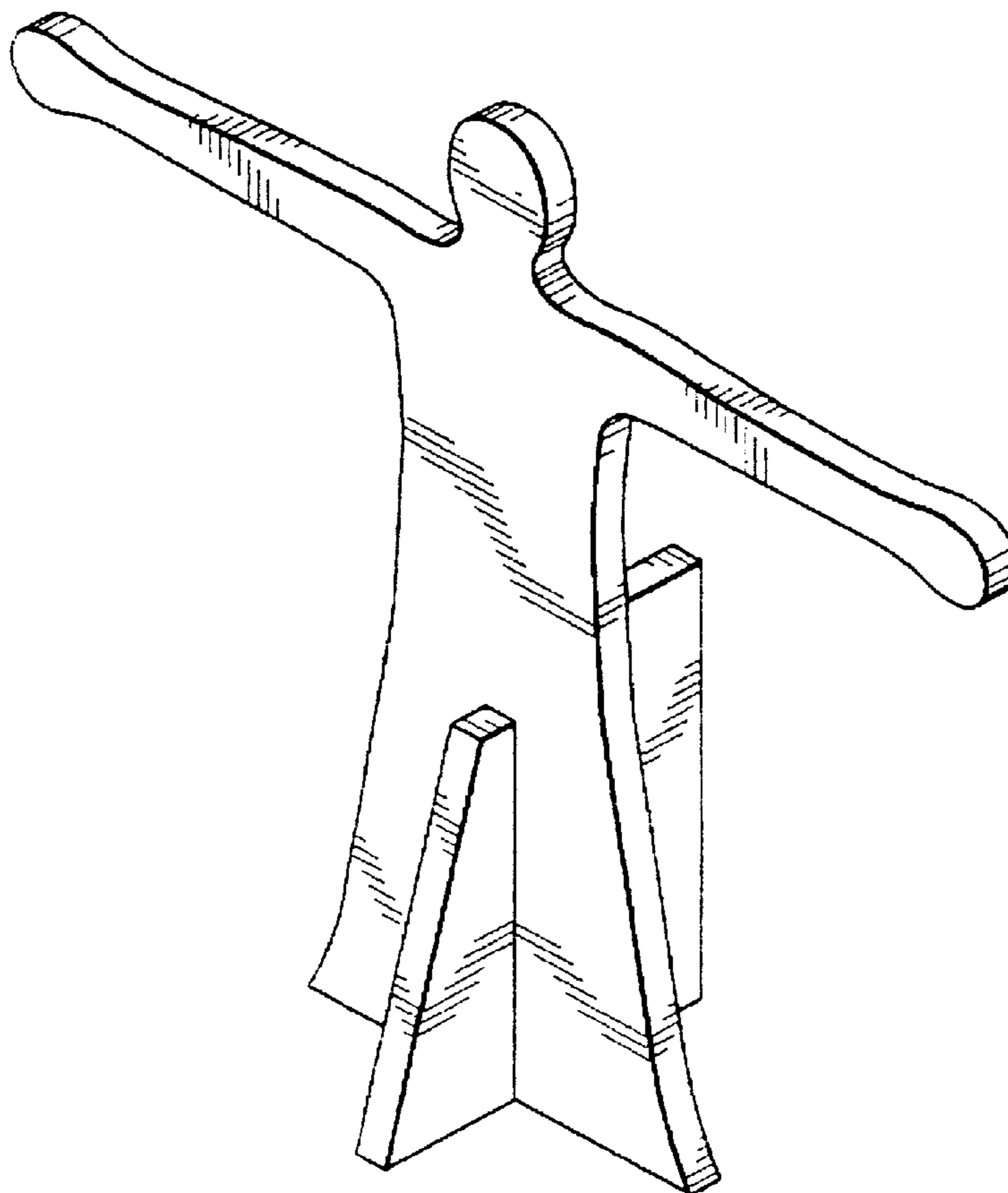
[57] **CLAIM**

The ornamental design for a sport mannequin, as shown and described.

DESCRIPTION

FIG. 1 is a perspective view of a sport mannequin showing the design of the present invention
FIG. 2 is a front elevational view thereof;
FIG. 3 is a rear elevational view thereof
FIG. 4 is a left side elevational view thereof, the right elevational view being a mirror image thereof;
FIG. 5 is a top plan view thereof;
FIG. 6 is a bottom plan view thereof;
FIG. 7 is a perspective view of a second embodiment of a sport mannequin, the only difference being the orientation of the arms; and,
FIG. 8 is a perspective view of a third embodiment of a sport mannequin, the only difference being the orientation of the arms.

1 Claim, 3 Drawing Sheets



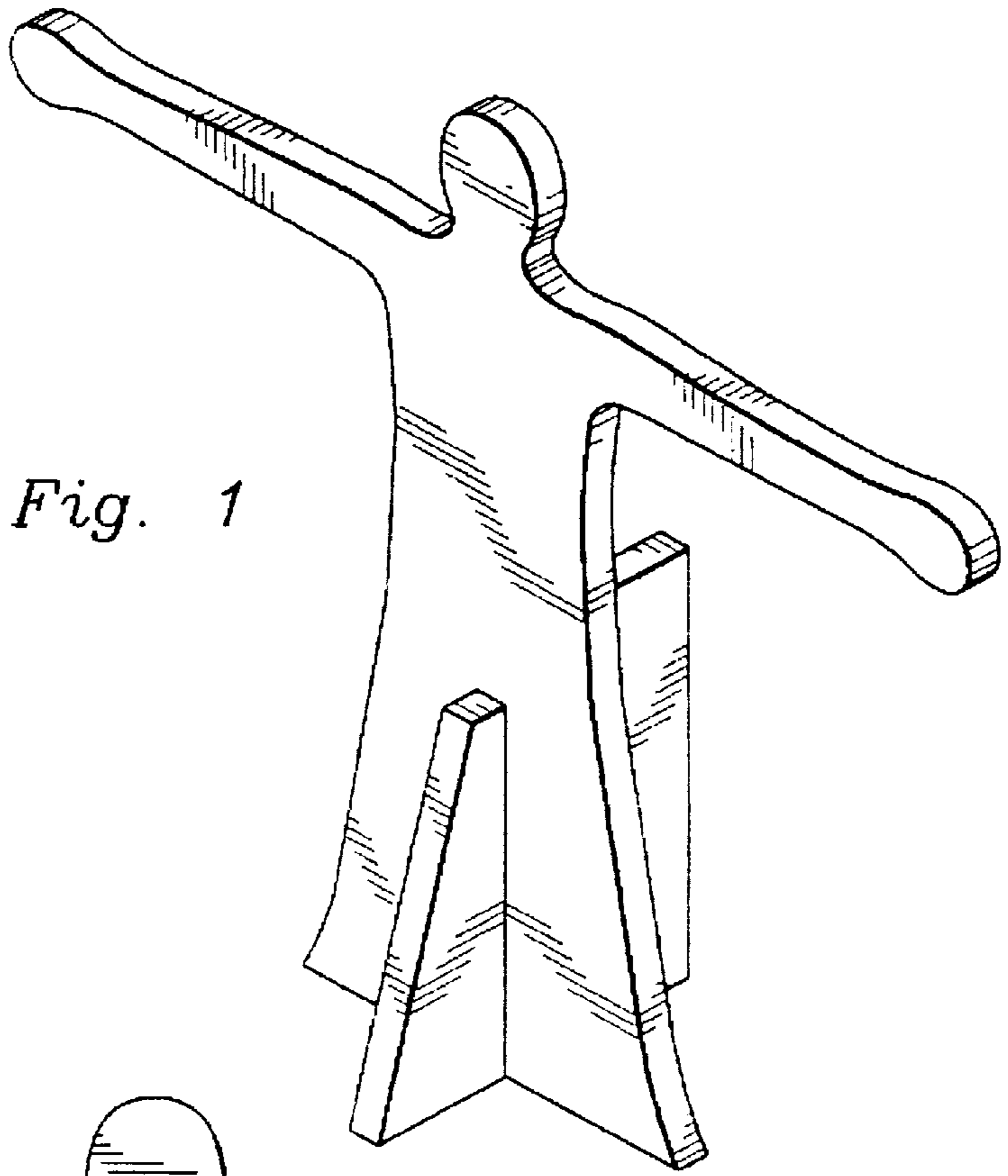


Fig. 1

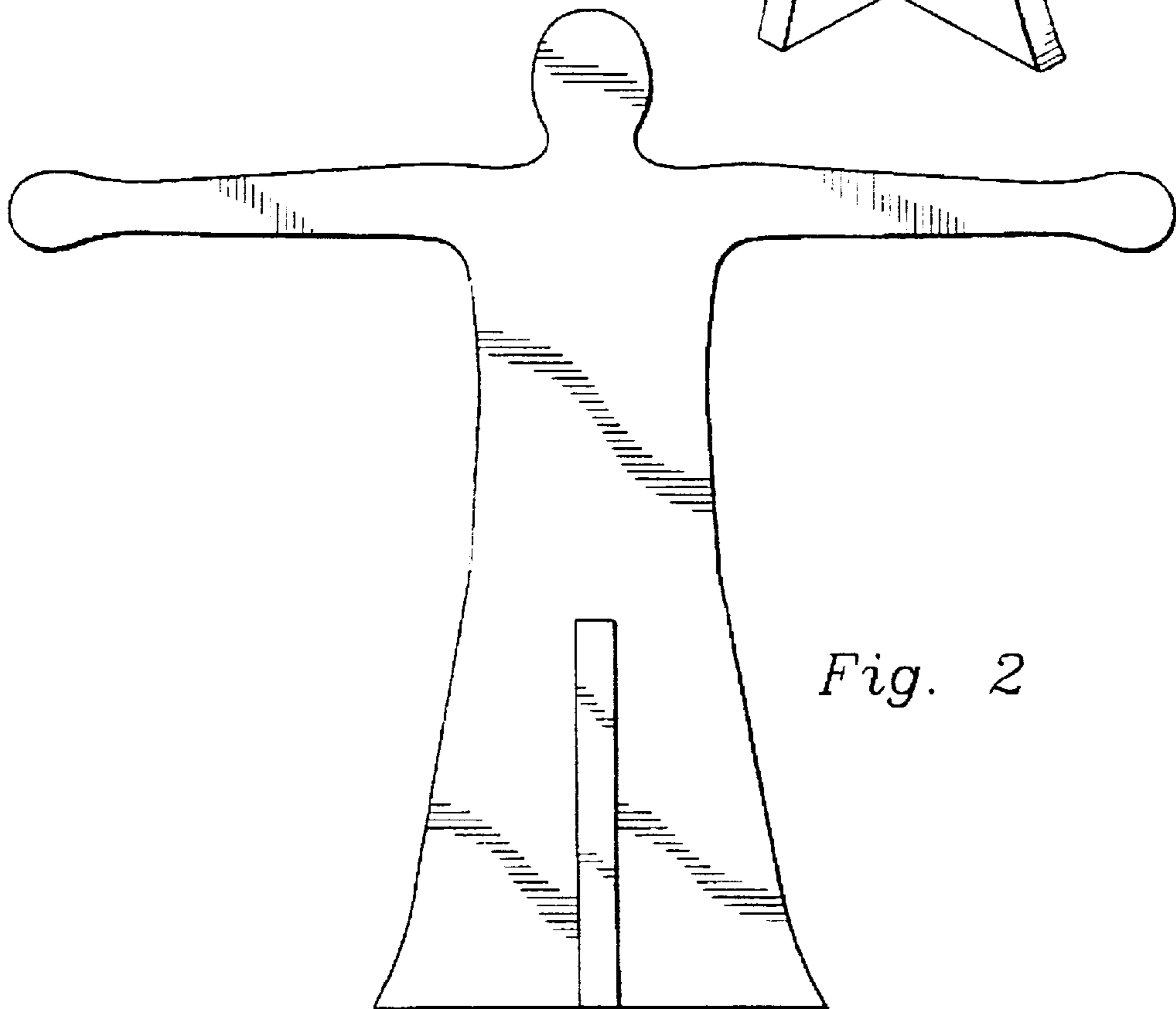


Fig. 2

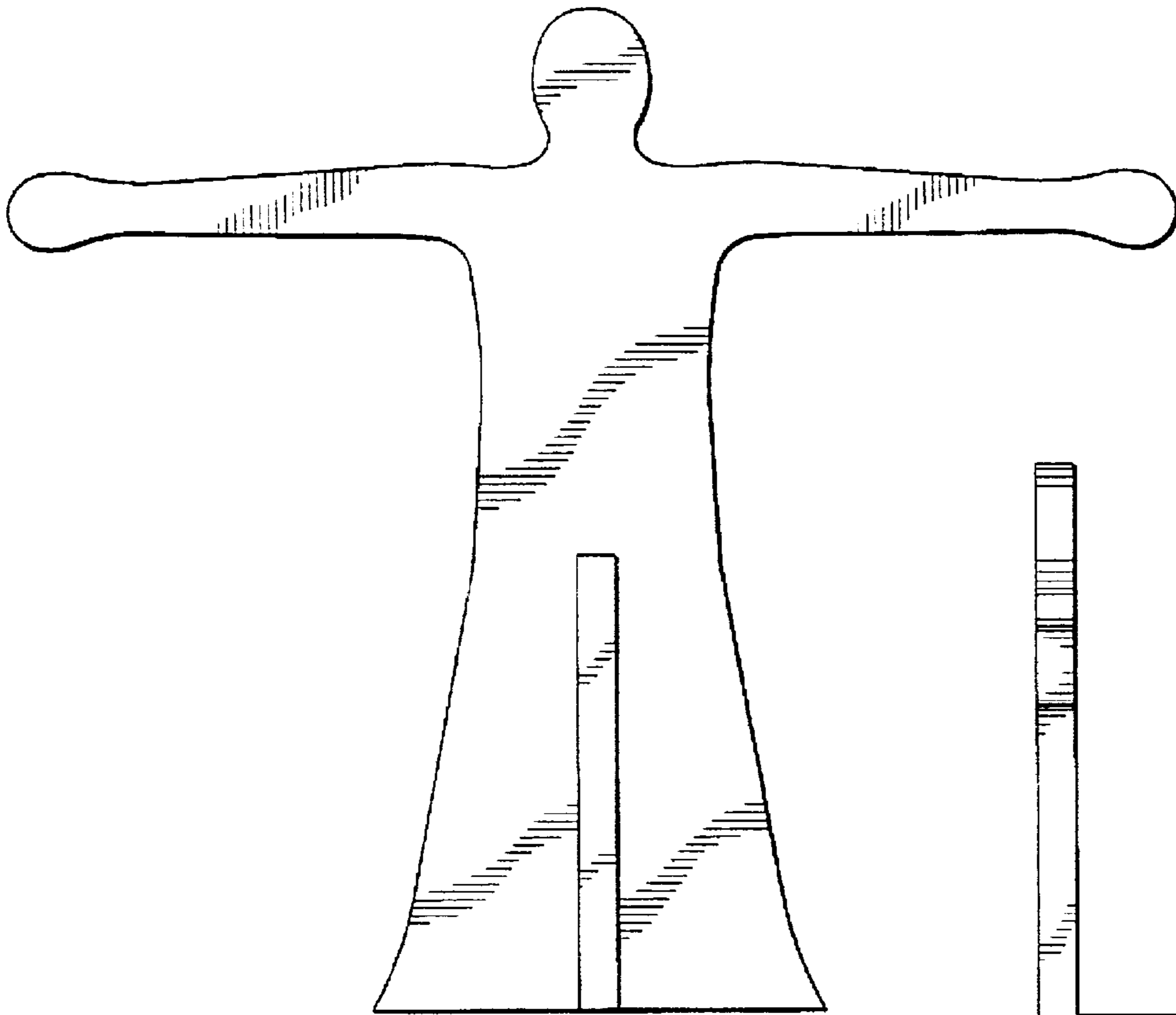


Fig. 3

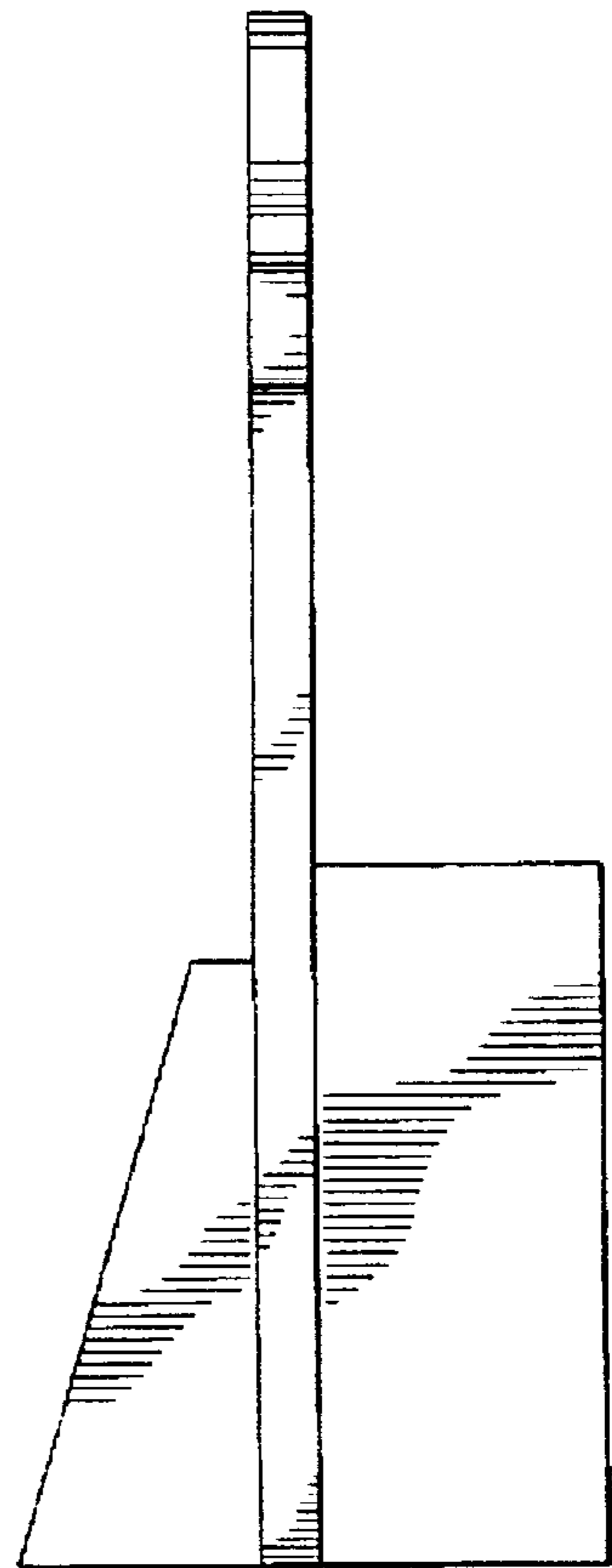


Fig. 4

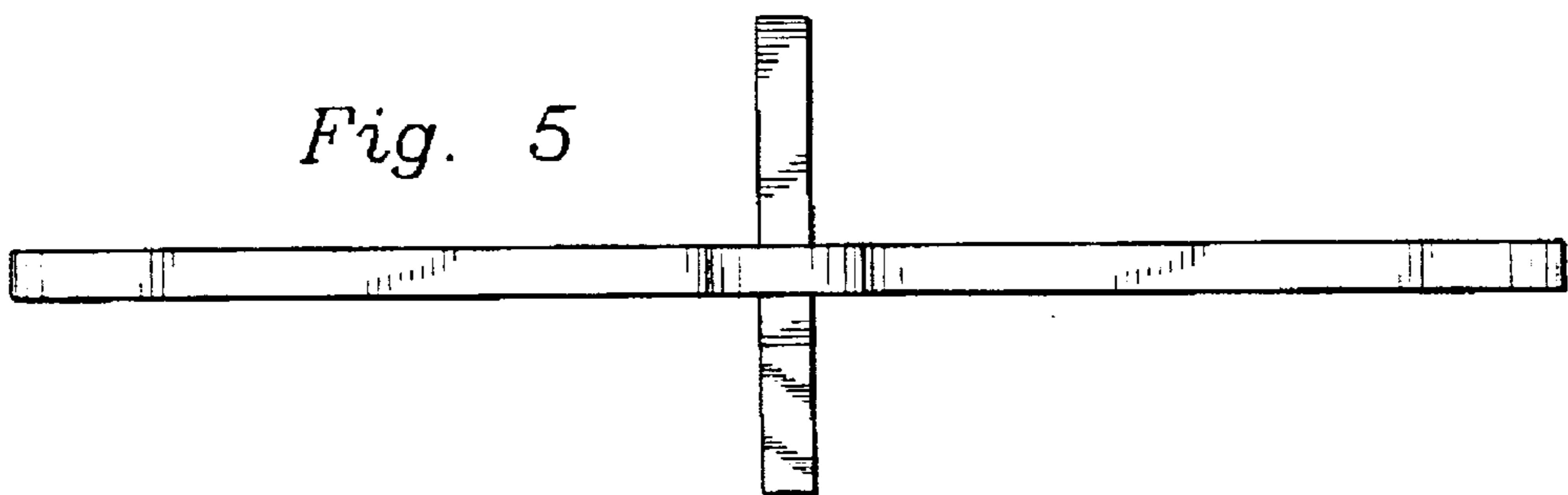


Fig. 5

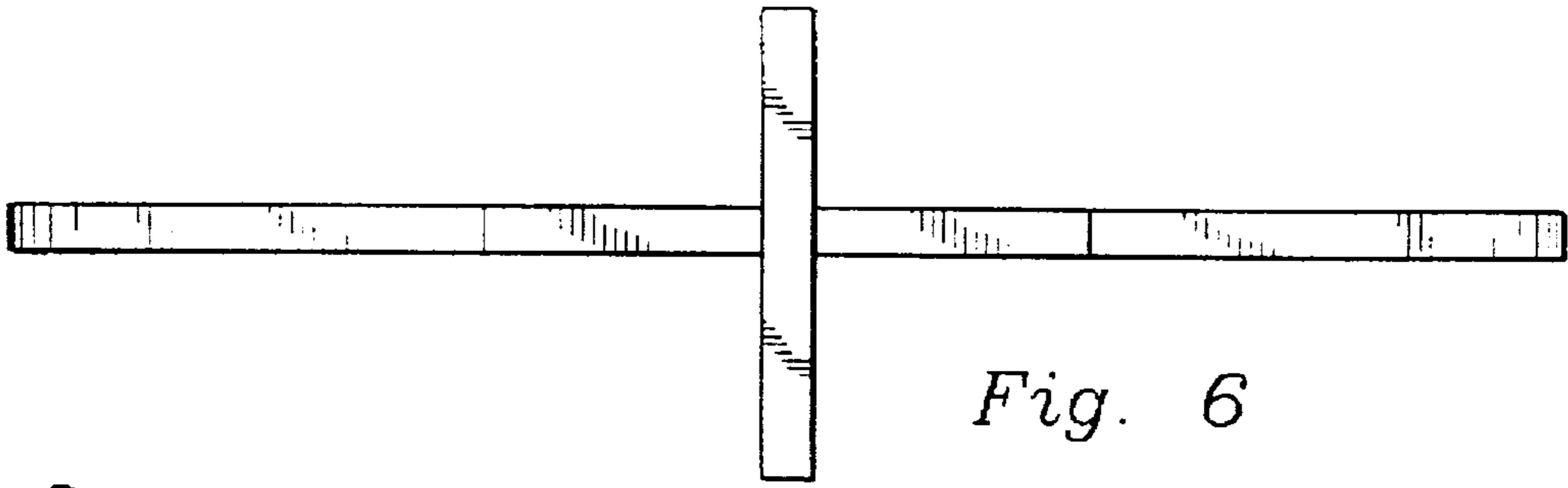


Fig. 6

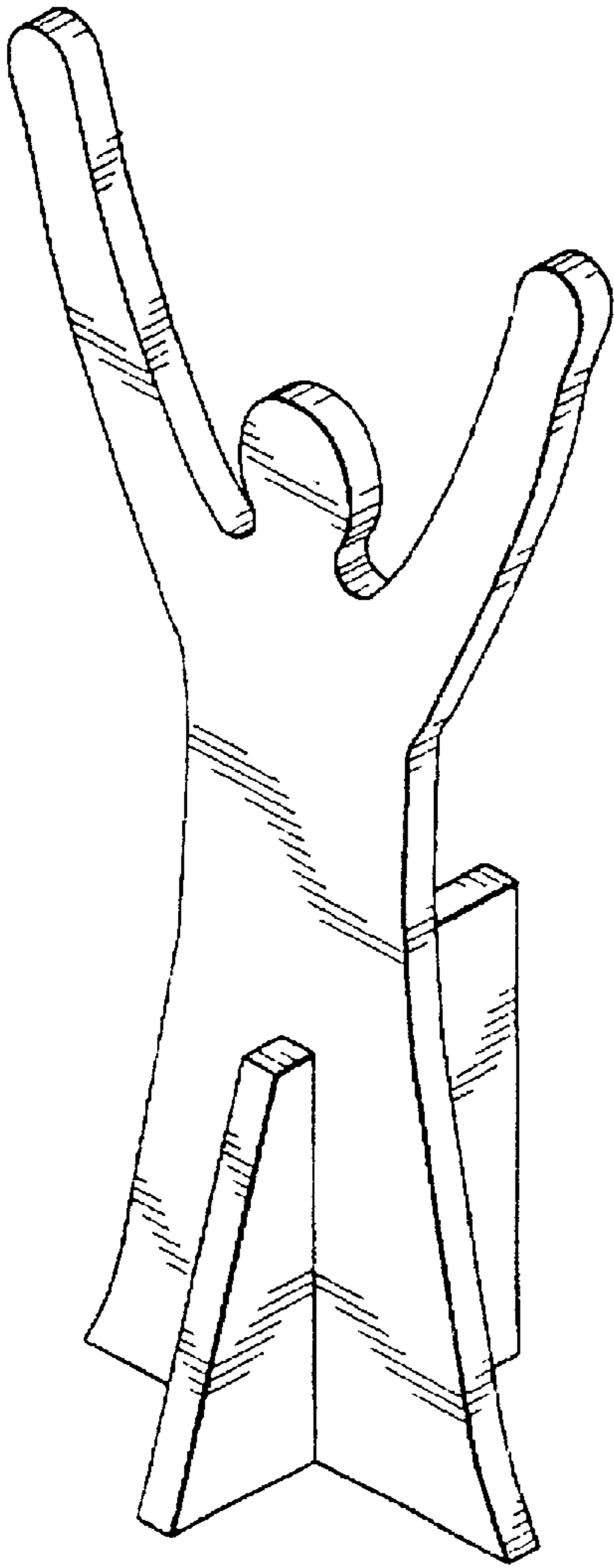


Fig. 7

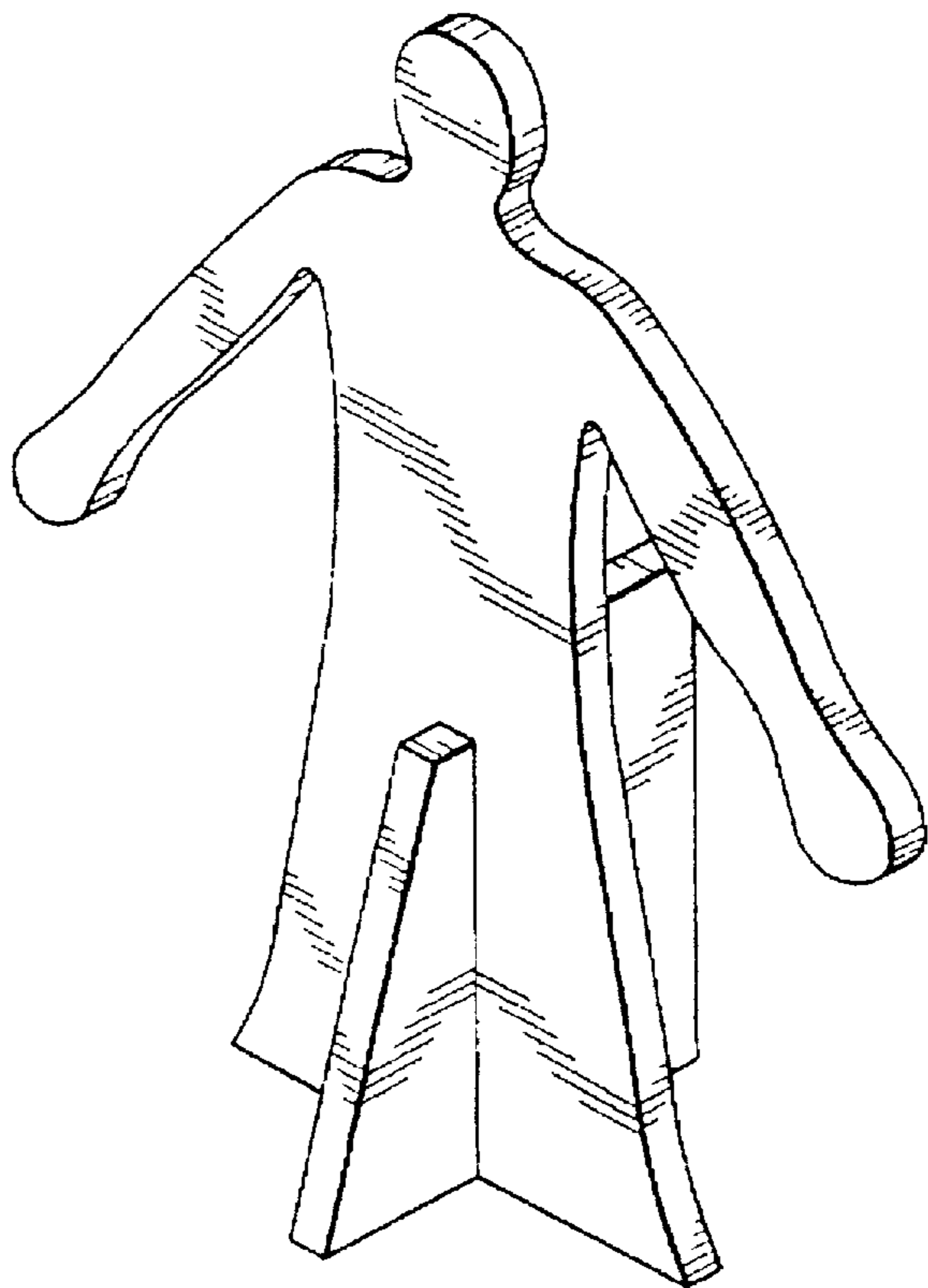


Fig. 8