



US00D414811S

# United States Patent [19]

[11] **Patent Number: Des. 414,811**

**Base et al.**

[45] **Date of Patent: \*\* Oct. 5, 1999**

[54] **INK BOTTLE**

[75] Inventors: **Deborah Base**, Boynton Beach; **Ryan Mimick**, Coral Springs; **Denise Tedaldi**, Jupiter, all of Fla.

[73] Assignee: **Levenger Company**, Delray Beach, Fla.

[\*\*] Term: **14 Years**

[21] Appl. No.: **29/093,630**

[22] Filed: **Sep. 15, 1998**

[51] **LOC (6) Cl.** ..... **19-06**

[52] **U.S. Cl.** ..... **D19/93; D9/503; D9/545**

[58] **Field of Search** ..... **D19/65, 35, 36, D19/75, 78, 93, 95, 99, 100; D9/500, 503, 505, 520, 545, 454; 222/576, 577, 578, 579, 580, 581, 582, 583, 584, 585, 586, 587, 588, 589; 211/69.2-69.4, 74; 248/688**

[56] **References Cited**

**U.S. PATENT DOCUMENTS**

D. 013,066 7/1882 Smith ..... D19/93 X

D. 196,149	8/1963	Knies	.....	D9/545 X
D. 239,297	3/1976	St. Amand	.....	D9/503 X
D. 244,198	5/1977	Kamensky	.....	D19/79
D. 289,142	4/1987	Bijaoui	.....	D9/545
959,772	5/1910	Maney	.....	211/74
1,380,129	5/1921	Wolff	.....	248/688

**OTHER PUBLICATIONS**

Exhibit A—Photograph of 2 ink bottles, date unknown.  
Exhibit B—Photograph of 2 ink bottles, date unknown.

*Primary Examiner*—Martie K. Holtje  
*Attorney, Agent, or Firm*—Quarles & Brady LLP

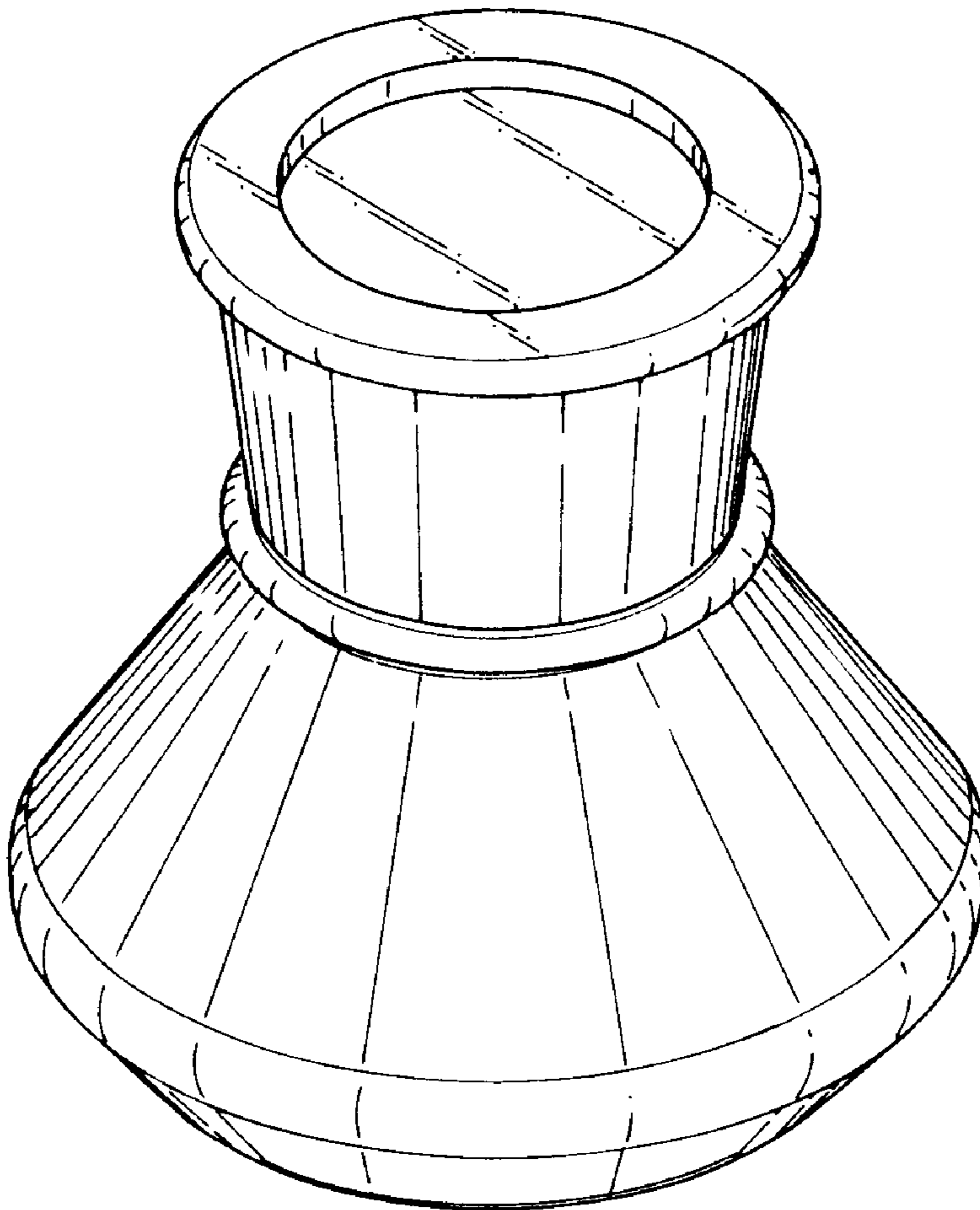
[57] **CLAIM**

The ornamental design for an ink bottle, as shown and described.

**DESCRIPTION**

FIG. 1 is a perspective view;  
FIG. 2 is a side view;  
FIG. 3 is a top plan view; and,  
FIG. 4 is a bottom plan view.

**1 Claim, 1 Drawing Sheet**



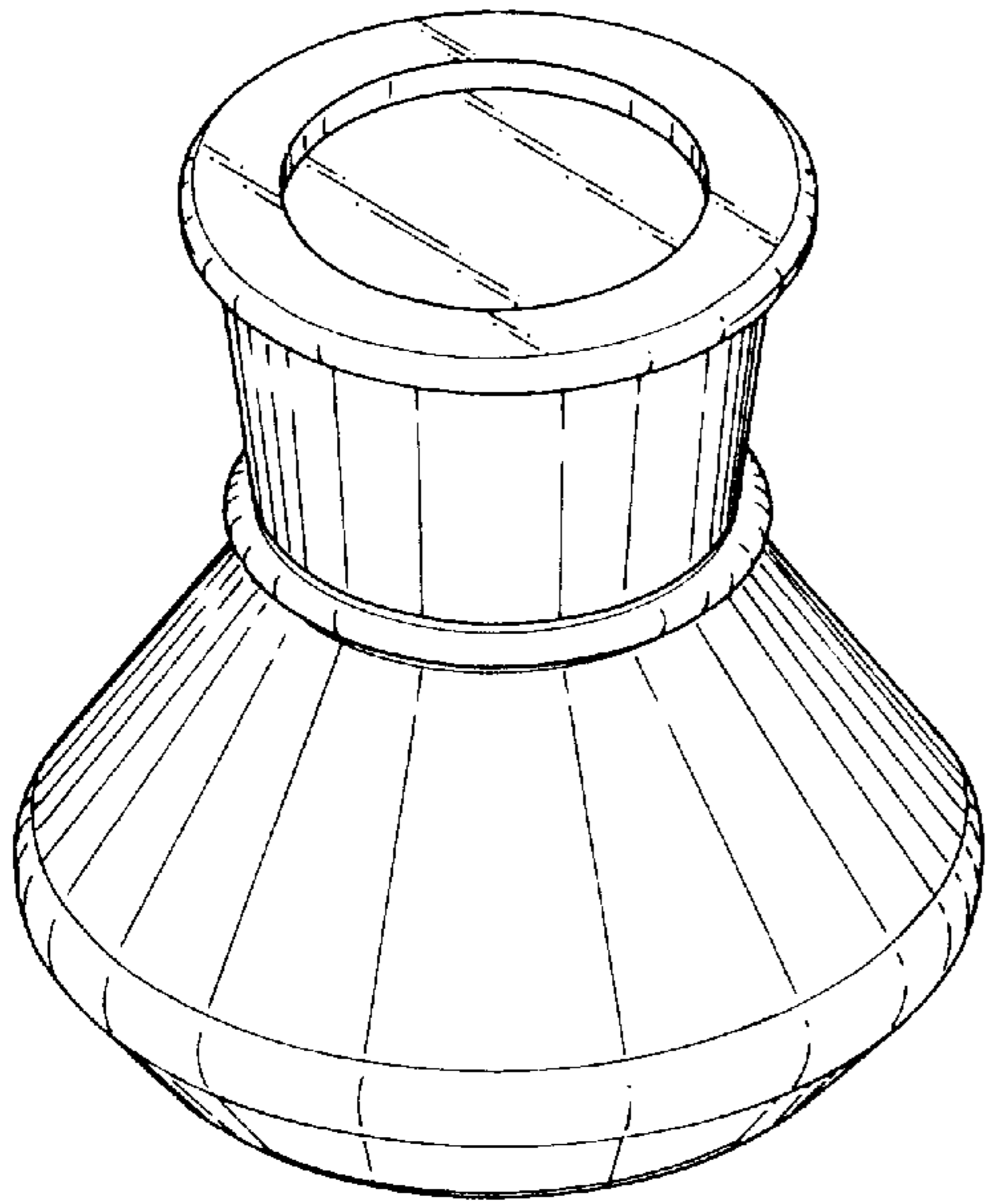


FIG. 1

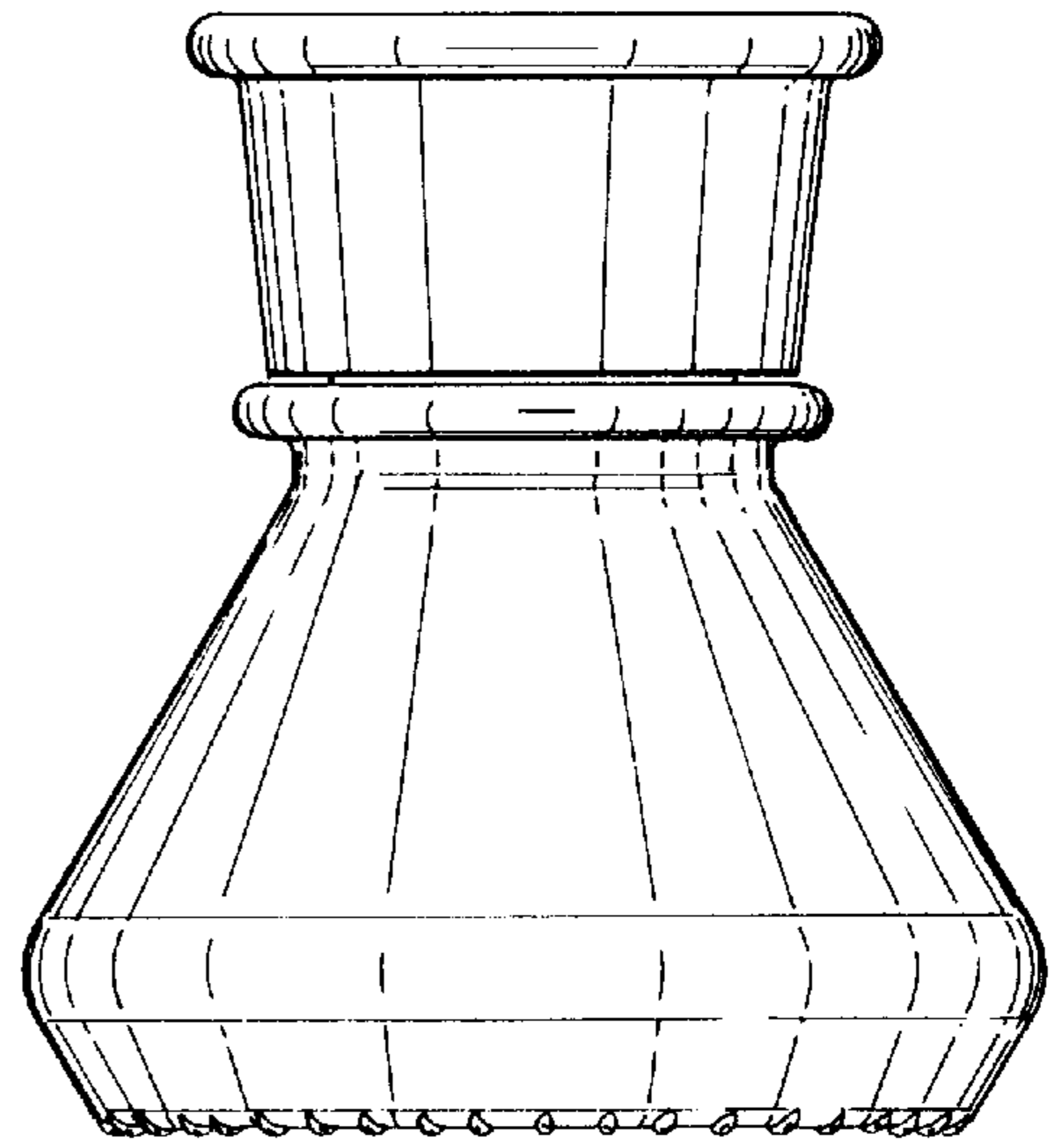


FIG. 2

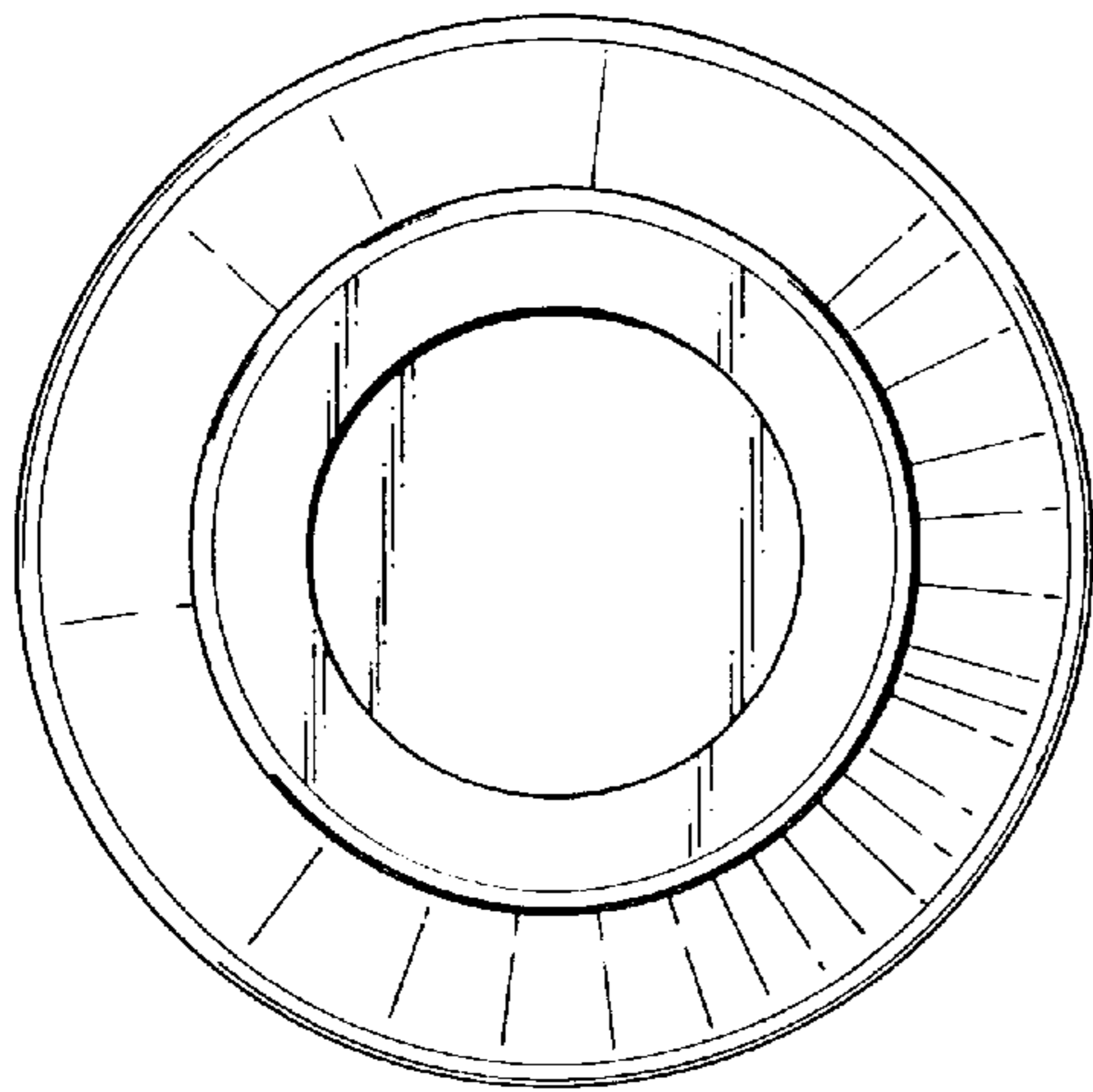


FIG. 3

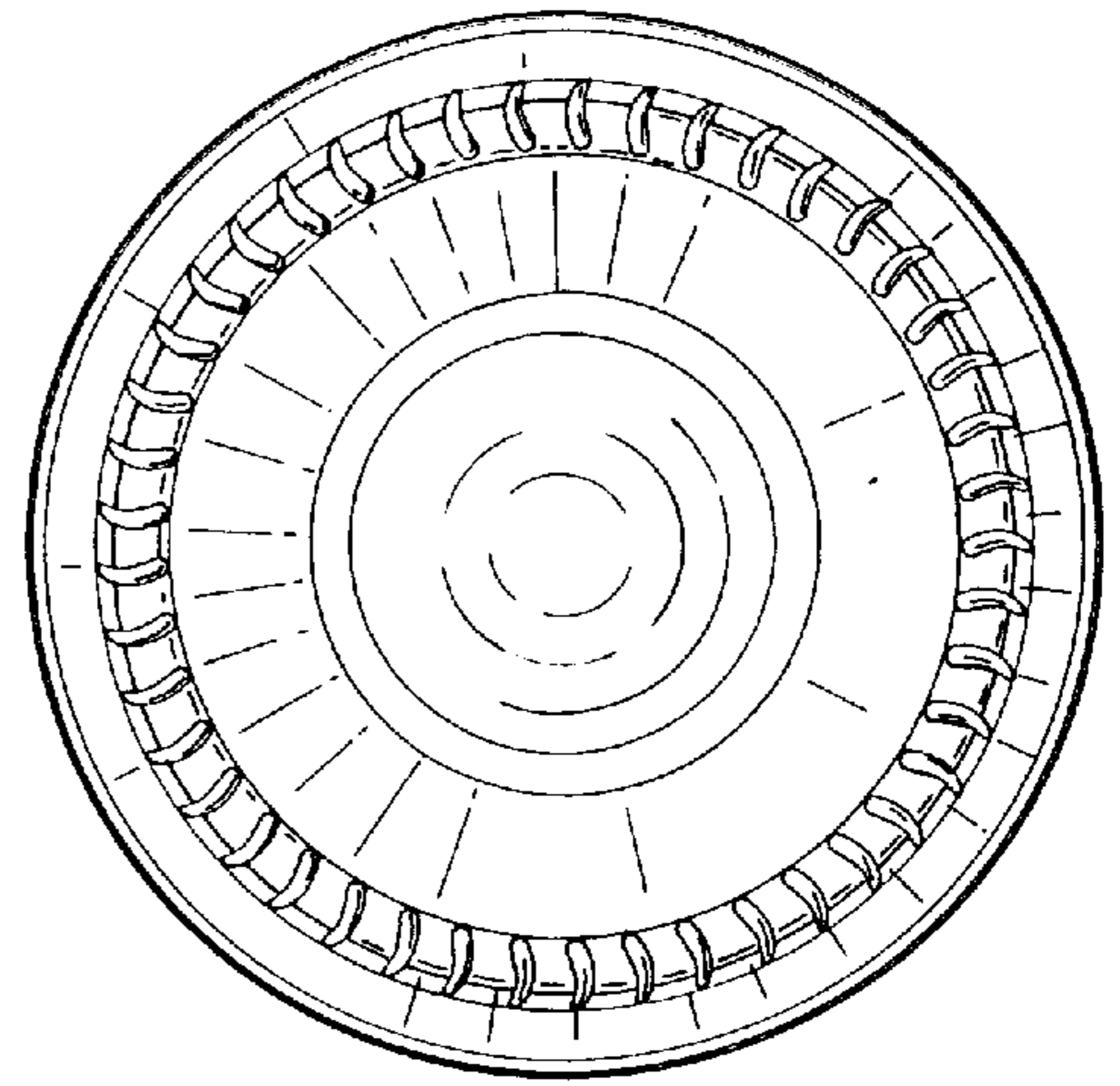


FIG. 4