



US00D414808S

United States Patent [19] Hunt

[11] Patent Number: Des. 414,808

[45] Date of Patent: ** Oct. 5, 1999

[54] **DESK MOUNTABLE PULL OUT ORGANIZER**

[76] Inventor: **Thomas A. Hunt**, 7002 Via del Charro, P.O. Box 5005-48, Rancho Santa Fe, Calif. 92067

[**] Term: **14 Years**

[21] Appl. No.: **29/096,091**

[22] Filed: **Nov. 4, 1998**

[51] **LOC (6) Cl.** **19-02**

[52] **U.S. Cl.** **D19/75; D19/69; D19/78; D19/83; D19/92**

[58] **Field of Search** **D19/65, 75, 77, D19/78, 81, 83, 86, 91, 92, 95, 99, 100; 211/69.1-69.9, 10, 11, 13.1, 45, 50; 206/214, 371, 224**

[56] **References Cited**

U.S. PATENT DOCUMENTS

D. 266,675	10/1982	Polhemus et al.	D19/69 X
D. 323,532	1/1992	Evenson	D19/75
D. 330,219	10/1992	Carlson et al.	D19/77
D. 332,968	2/1993	Peersmann	D19/75 X
D. 369,621	5/1996	Krayer, Jr. et al.	D19/78 X
4,320,835	3/1982	Polhemus et al.	206/214 X

4,406,368 9/1983 Hermes 206/371

Primary Examiner—Martie K. Holtje
Attorney, Agent, or Firm—Higs, Fletcher&Mack LLP; Bernard L. Kleinke

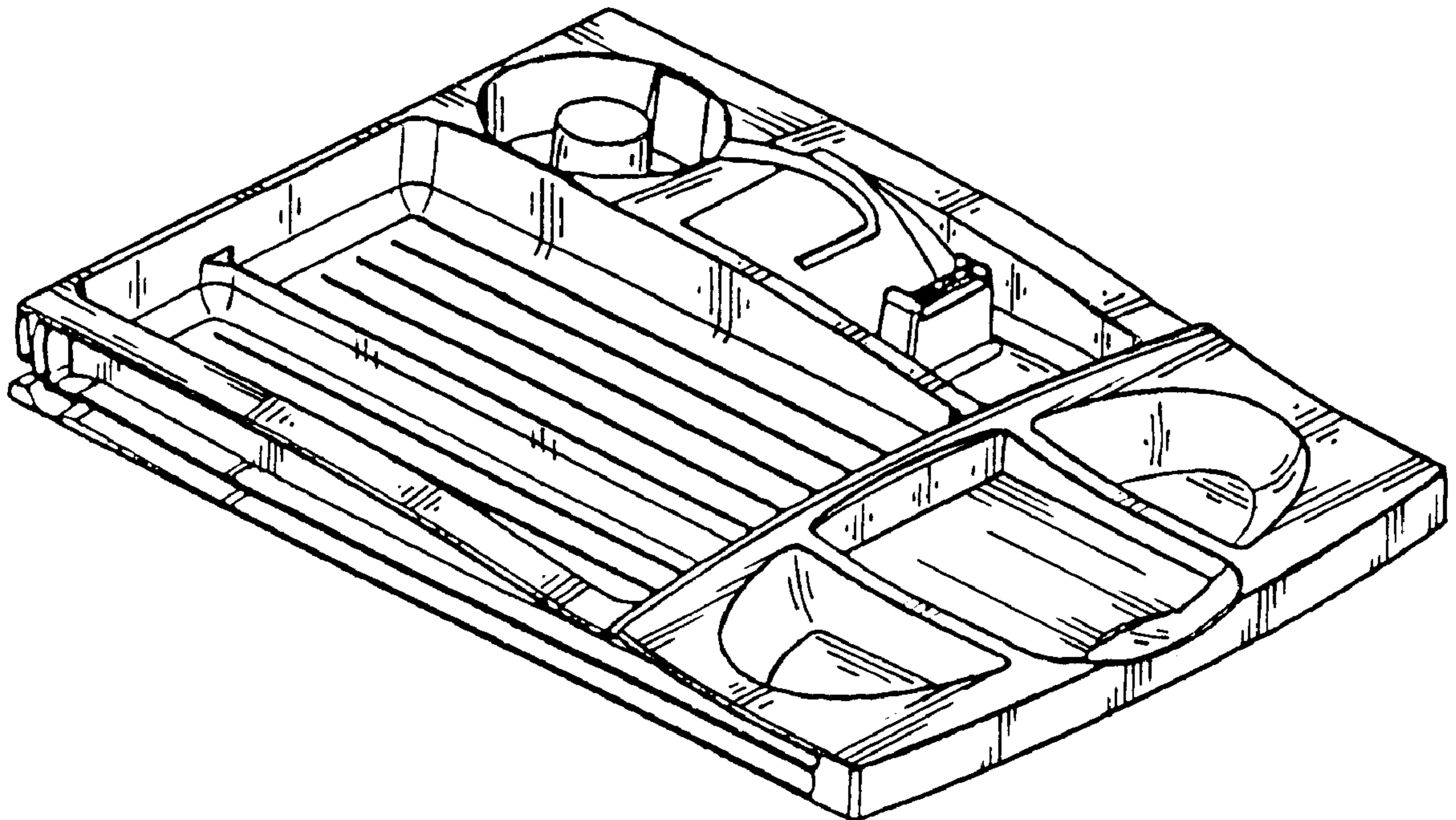
[57] **CLAIM**

The ornamental design for a desk mountable pull out organizer, as shown and described.

DESCRIPTION

FIG. 1 is a pictorial view of a desk mountable pull out organizer illustrating the top, right and front sides thereof; FIG. 2 is a pictorial view of the desk mountable pull out organizer of FIG. 1 illustrating the top, left and front sides thereof; FIG. 3 is an enlarged elevational view of the left side of the desk mountable pull out organizer of FIG. 1; FIG. 4 is an enlarged elevational view of the front side of the desk mountable pull out organizer of FIG. 1; FIG. 5 is an elevational view of the rear side of the desk mountable pull out organizer of FIG. 1; FIG. 6 is an enlarged plan view of the top side of the desk mountable pull out organizer of FIG. 1; and, FIG. 7 is a pictorial view of the desk mountable pull out organizer of FIG. 1 illustrating the bottom, left and front sides thereof.

1 Claim, 2 Drawing Sheets



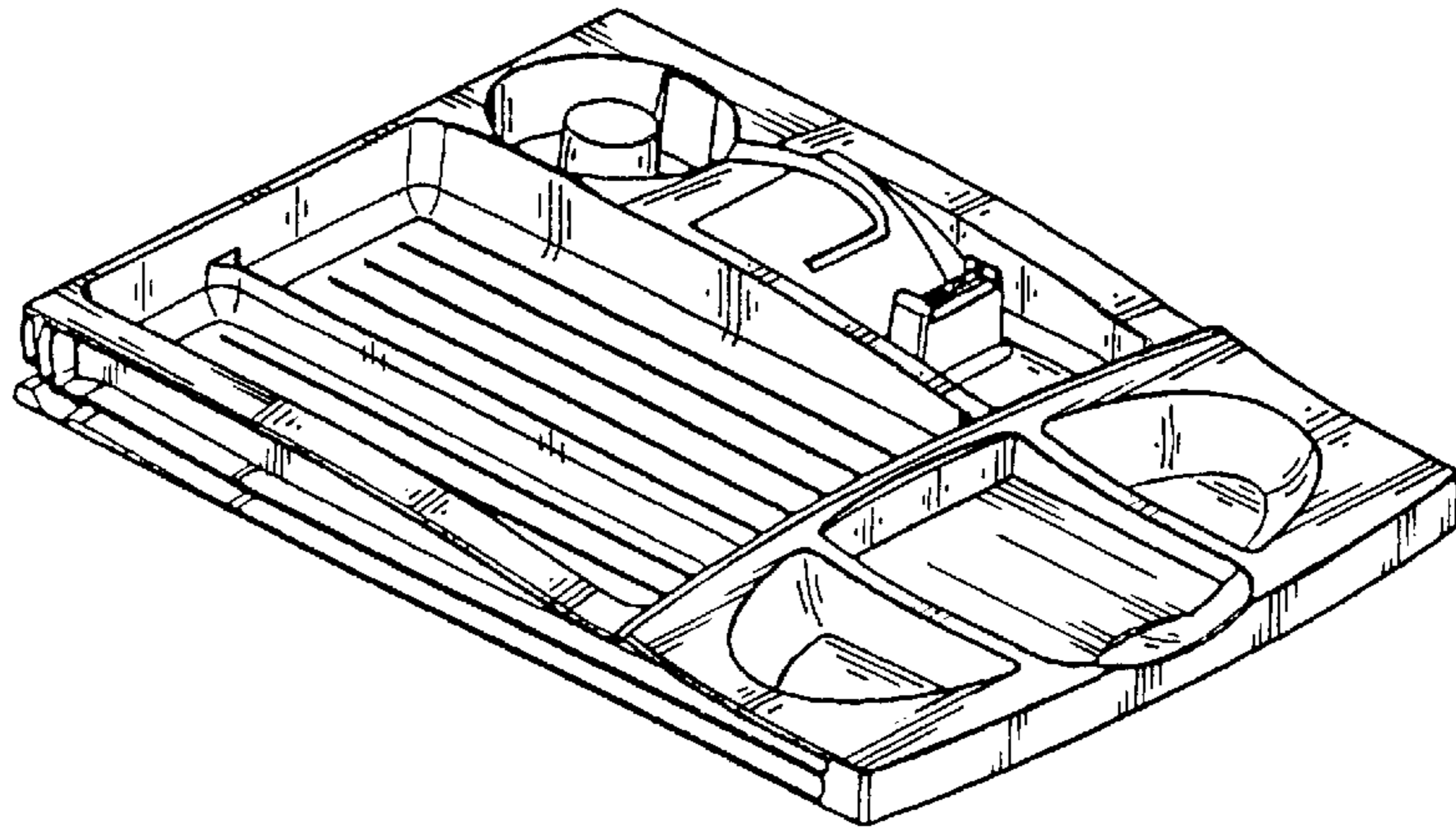


FIG. 1

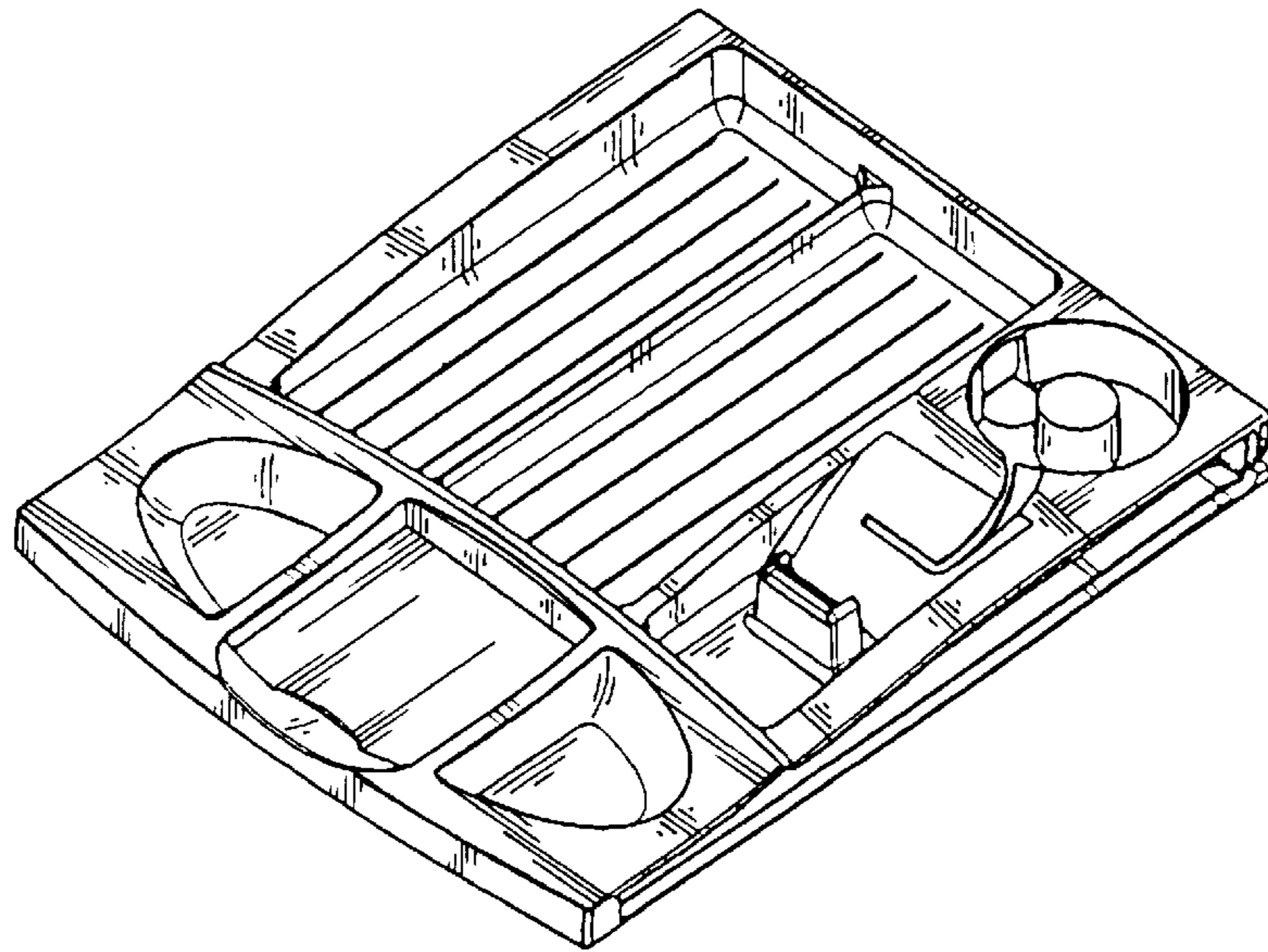


FIG. 2



FIG. 3

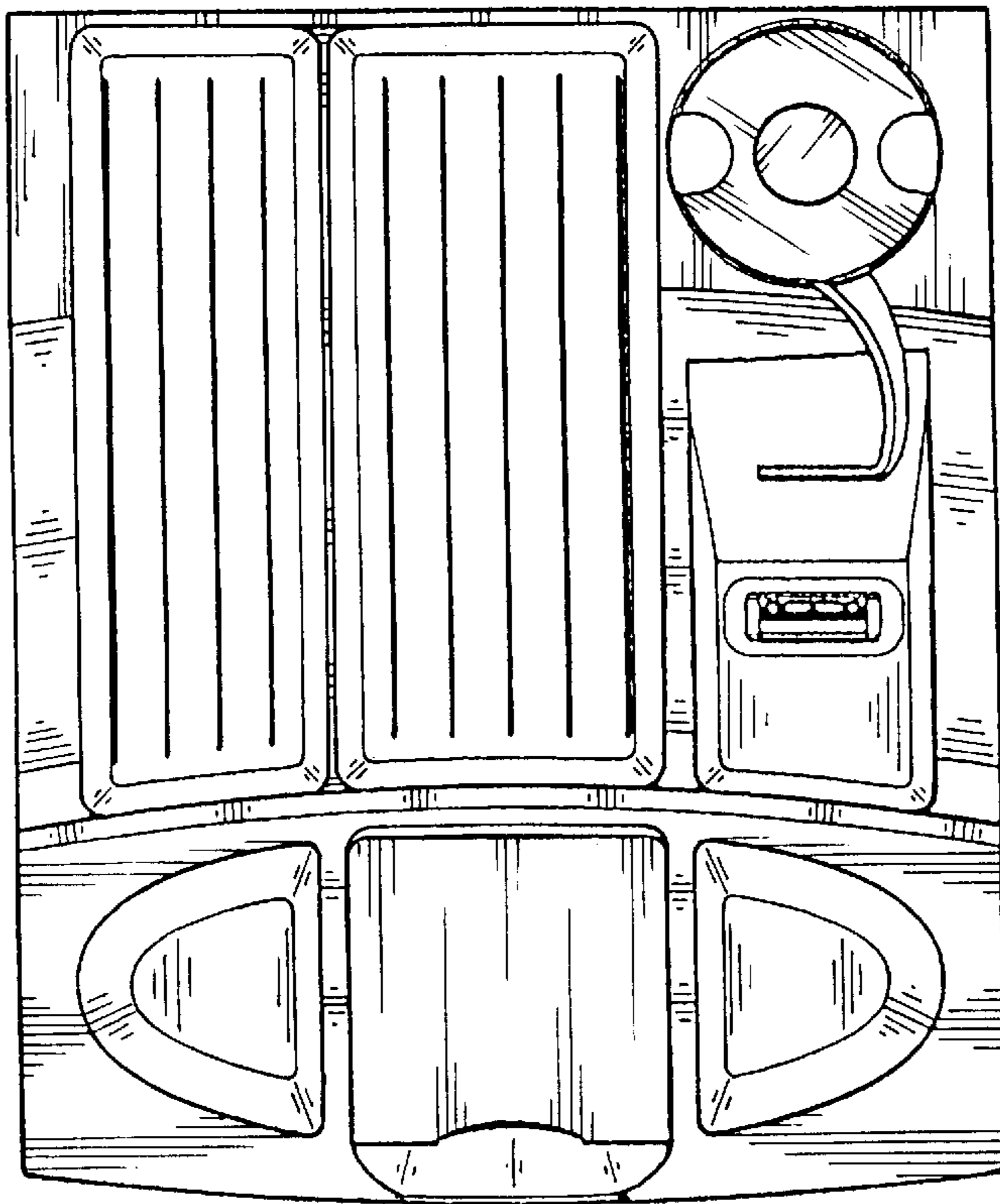


FIG. 6



FIG. 4



FIG. 5

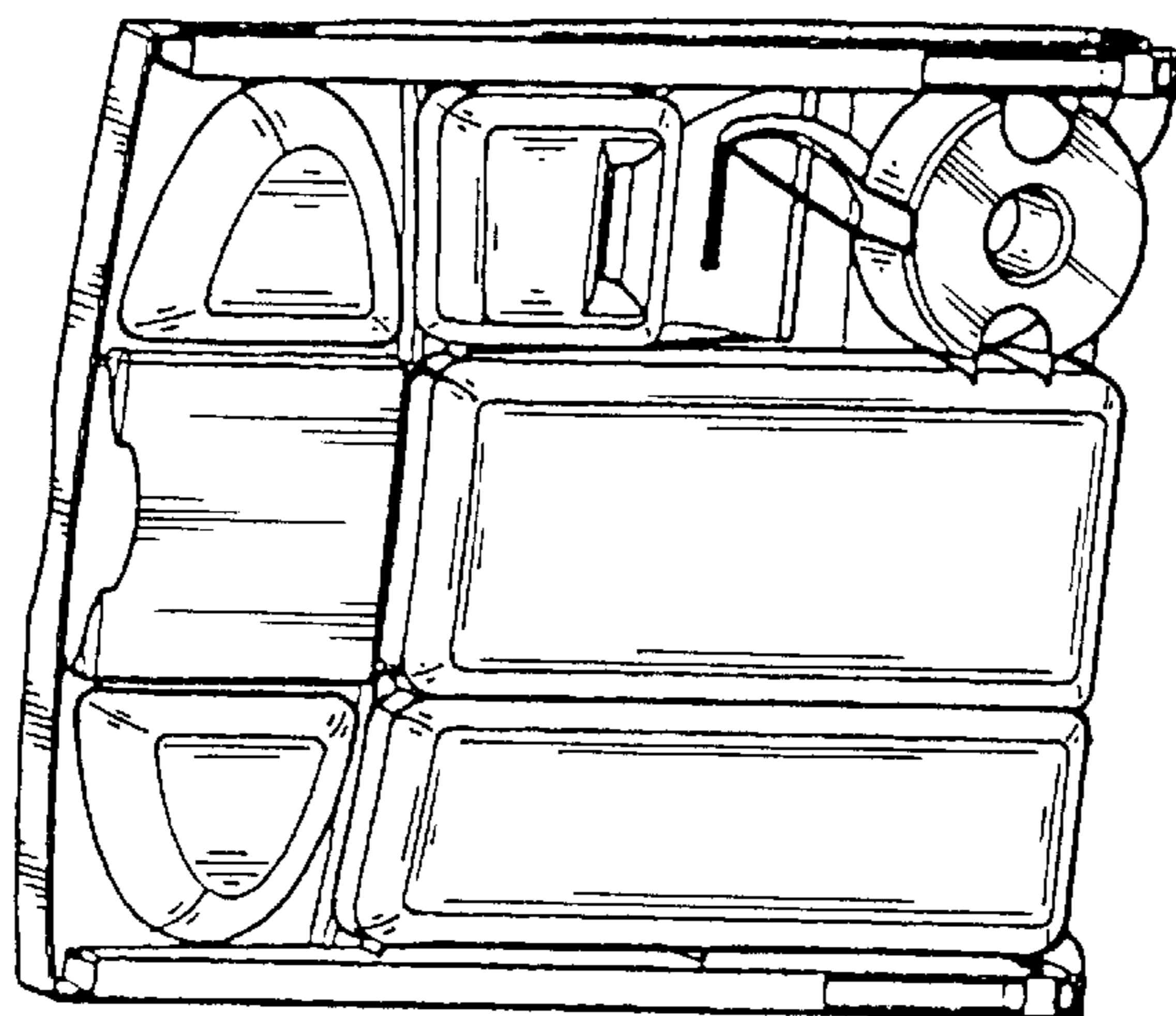


FIG. 7

UNITED STATES PATENT AND TRADEMARK OFFICE
CERTIFICATE OF CORRECTION

PATENT NO. : D414,808
DATED : October 5, 1999
INVENTOR(S) : Thomas A. Hunt

It is certified that error appears in the above-identified patent and that said Letters Patent is hereby corrected as shown below:

On the title page: Item [56] should read --
Attorney, Agent or Firm: "Higgs" not "Higs"

Signed and Sealed this
Twentieth Day of June, 2000

Attest:



Q. TODD DICKINSON

Attesting Officer

Director of Patents and Trademarks