



US00D414804S

United States Patent [19] Whaley

[11] **Patent Number: Des. 414,804**

[45] **Date of Patent: ** Oct. 5, 1999**

[54] **NON-CONCEALED BINDING FASTENER**

[75] **Inventor: Paul Whaley, Herculaneum, Mo.**

[73] **Assignee: U.S. Ring Binder Corp., New Bedford, Mass.**

[**] **Term: 14 Years**

[21] **Appl. No.: 29/095,795**

[22] **Filed: Oct. 29, 1998**

[51] **LOC (6) Cl. 19-04**

[52] **U.S. Cl. D19/32; D19/27**

[58] **Field of Search D19/26, 27, 32, D19/65, 99, 100; 281/27.1-27.3; 402/36-38, 26, 32, 27, 64, 70, 73, 75, 76, 80 R, 502; 411/468, 457-460, 456, 466; D8/388, 382, 386, 389, 499**

[56] **References Cited**

U.S. PATENT DOCUMENTS

D. 377,805	2/1997	To .	
1,727,108	9/1929	Julius	411/516
2,568,131	9/1951	Segal	402/70
2,672,354	3/1954	Hofferberth	281/27.3
2,891,554	6/1959	Foster	402/64
3,083,714	4/1963	Foster	402/64
4,743,048	5/1988	Grosuith, III	281/21.1
4,990,017	2/1991	Rotherham	402/80 R X
5,035,526	7/1991	Cooper et al.	402/75

5,100,253	3/1992	Cooper .	
5,154,528	10/1992	Cananze et al.	402/19
5,160,209	11/1992	Schuessler .	
5,509,745	4/1996	Hegarty	402/70 X
5,842,807	12/1998	To .	
5,882,135	3/1999	Ko	402/36

Primary Examiner—Martie K. Holtje
Attorney, Agent, or Firm—Polster, Lieder, Woodruff & Lucchesi, L.C.

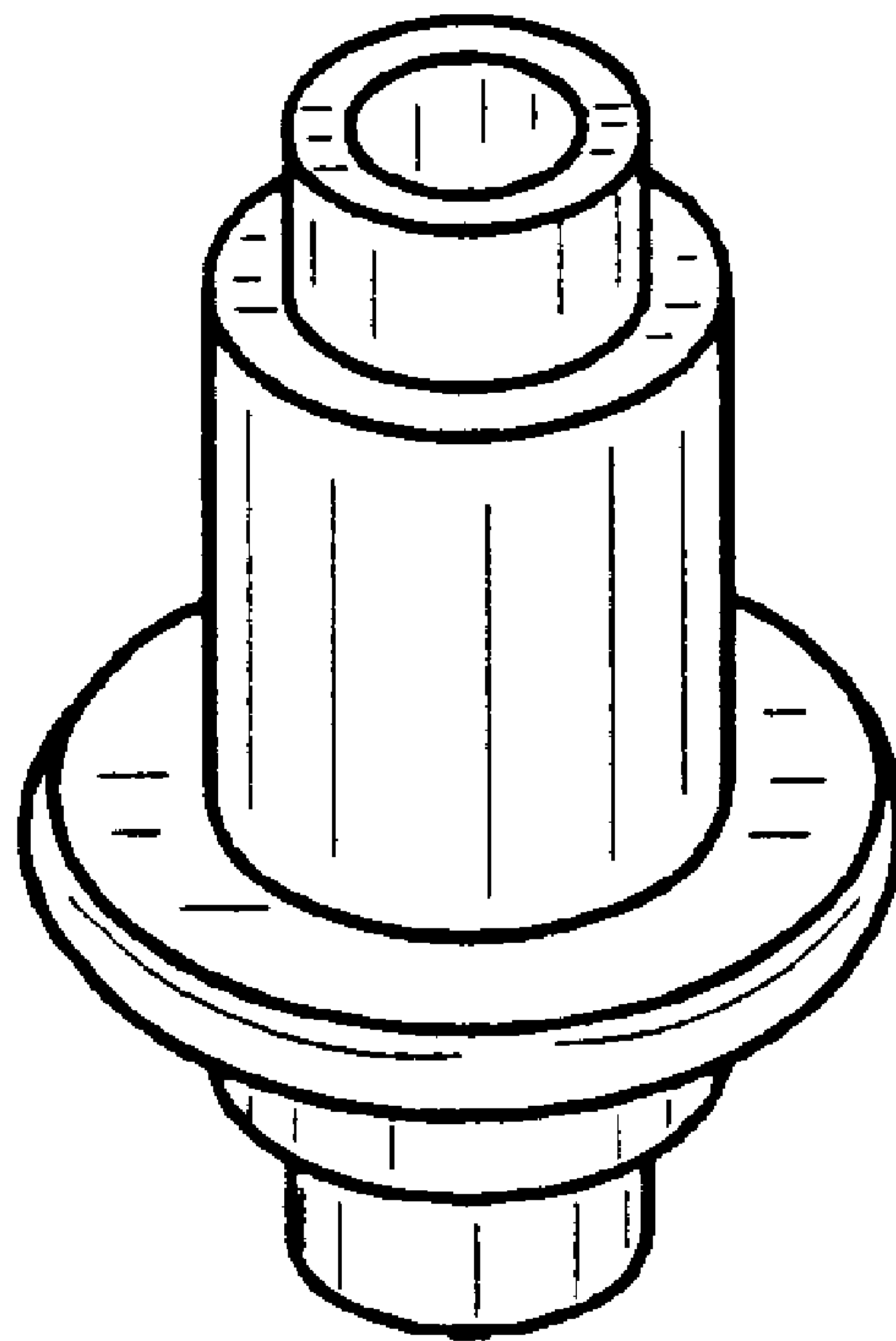
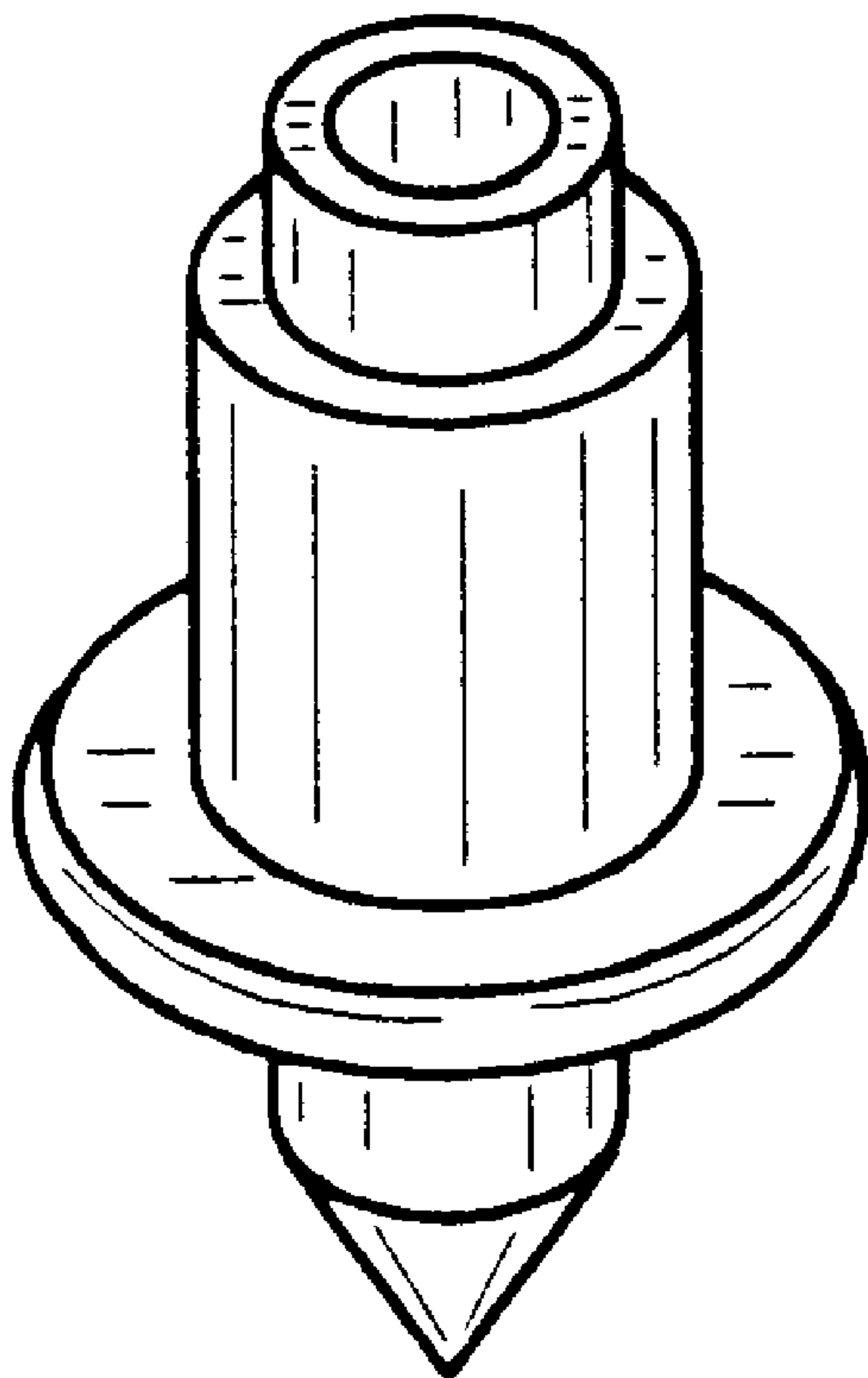
[57] **CLAIM**

The ornamental design for a non-concealed binding fastener, as shown and described.

DESCRIPTION

FIG. 1 is a perspective view of a non-concealed binding fastener showing my new design, the ring binding structure and the binder cover depicted by means of broken lines have been shown for illustrative purposes only and form no part of the claimed design;
FIG. 2 is a second perspective view;
FIG. 3 is a top plan view;
FIG. 4 is a bottom plan view;
FIG. 5 is a side elevational view;
FIG. 6 is a perspective view of a second embodiment of my design of FIG. 1;
FIG. 7 is a top plan view of FIG. 6;
FIG. 8 is a bottom plan view of FIG. 6; and,
FIG. 9 is a side elevational view of FIG. 6.

1 Claim, 2 Drawing Sheets



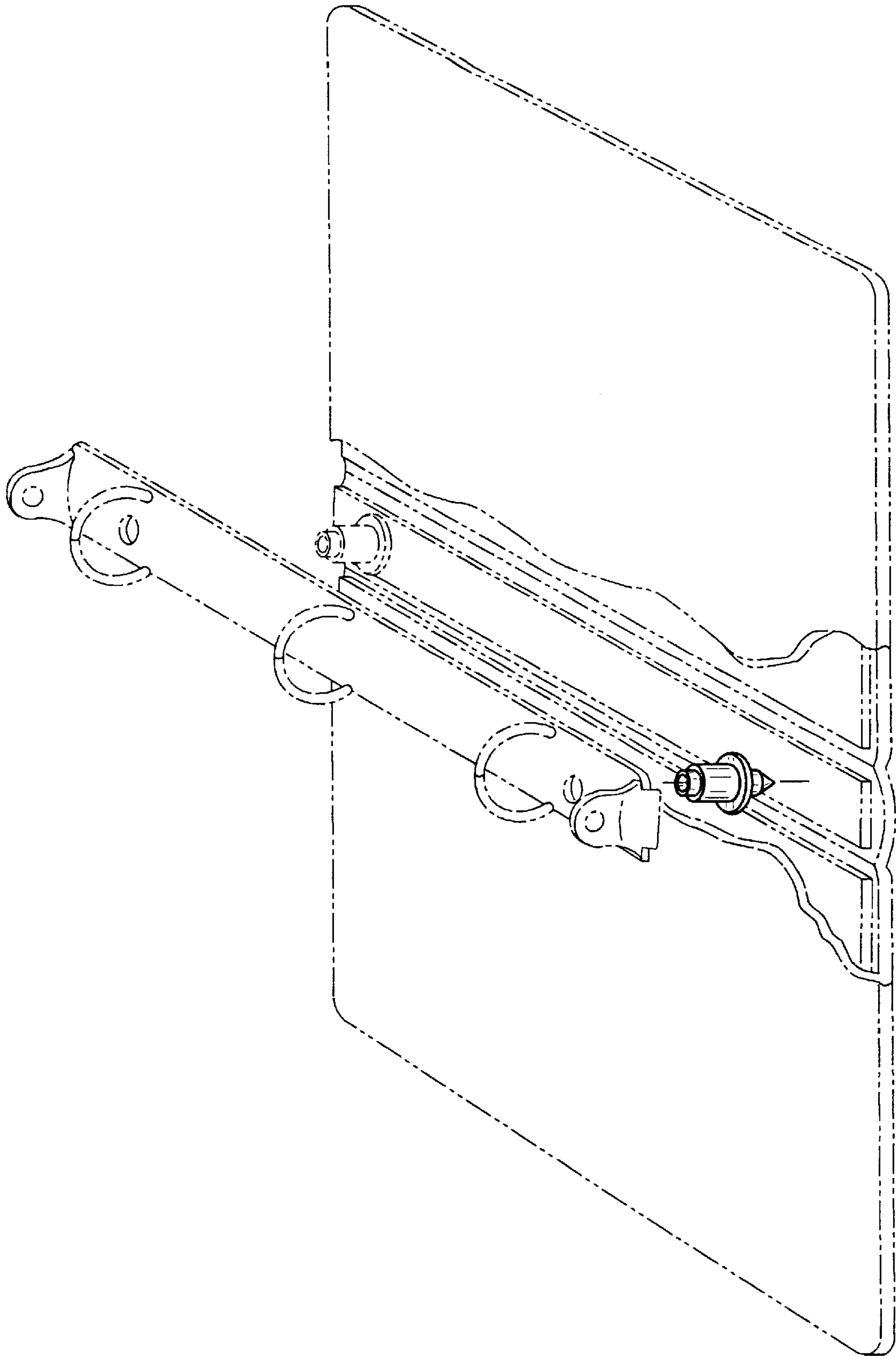


FIG. 1

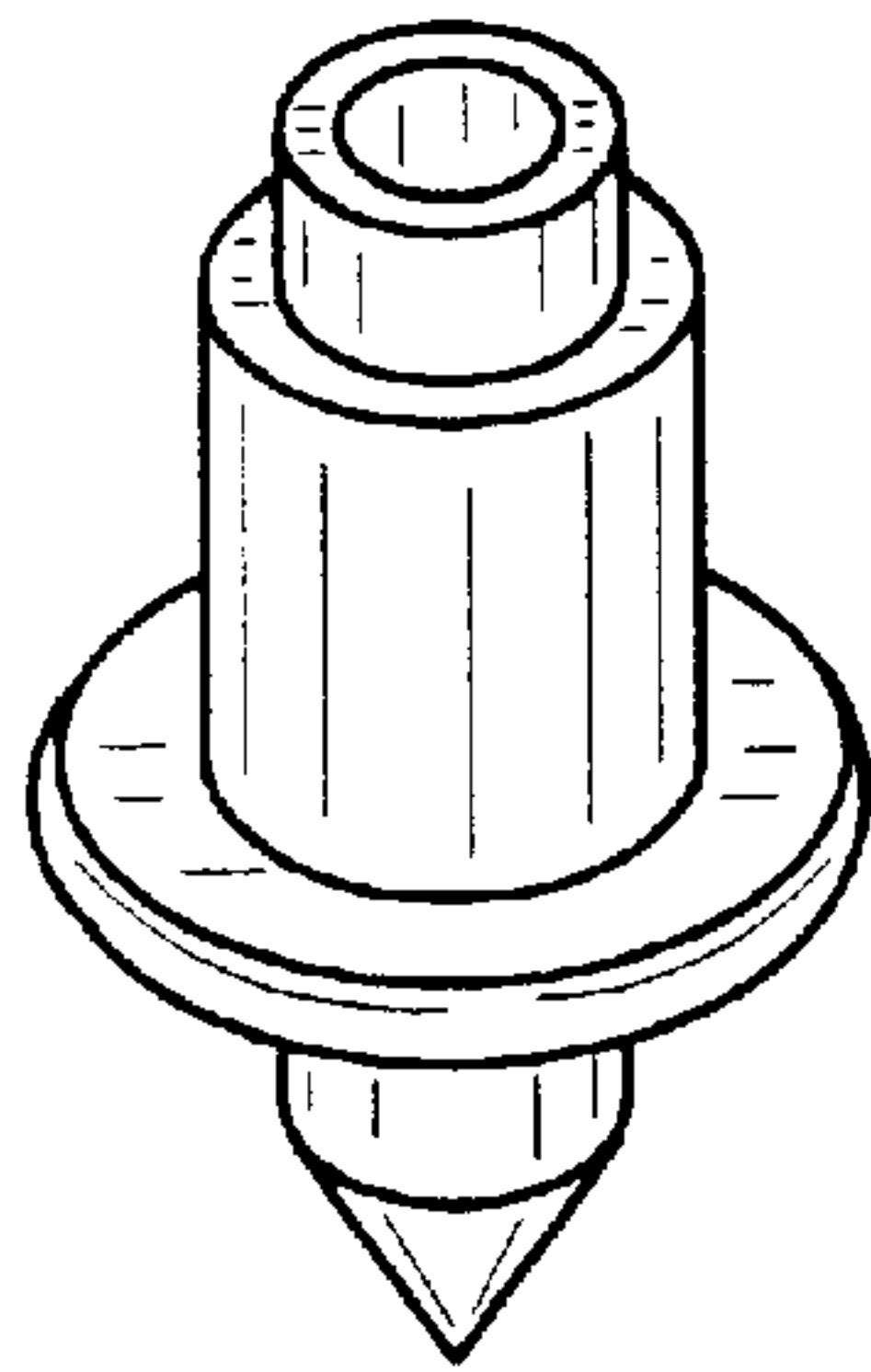


FIG. 2

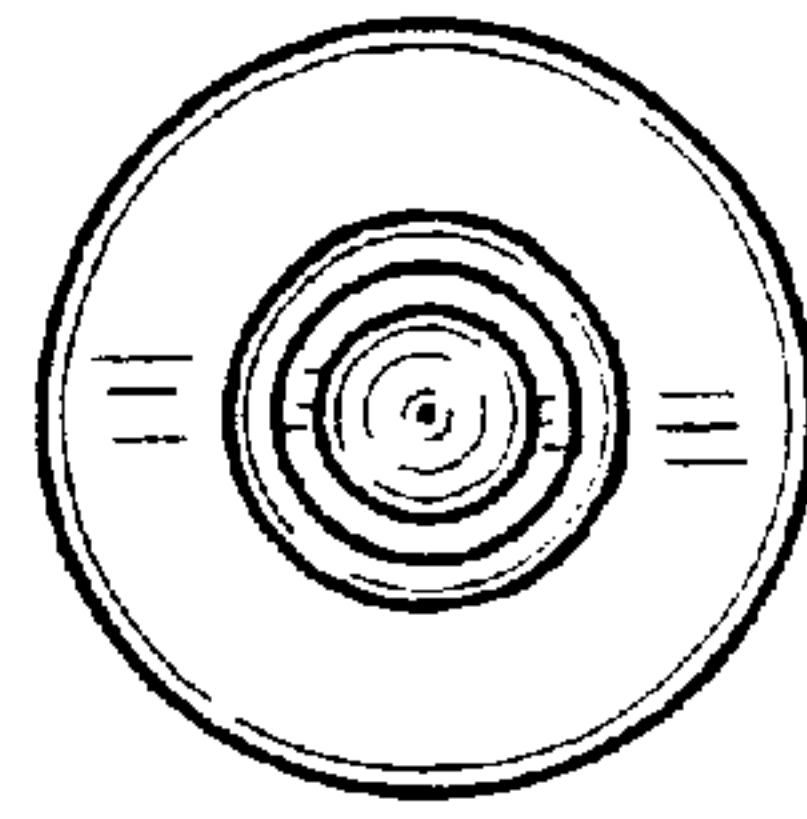


FIG. 3

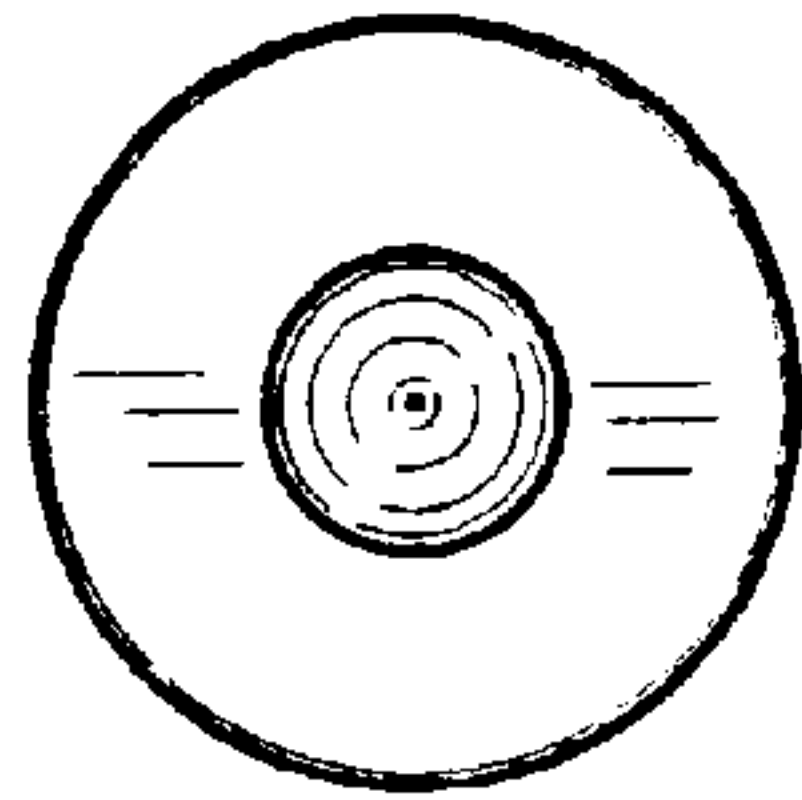


FIG. 4

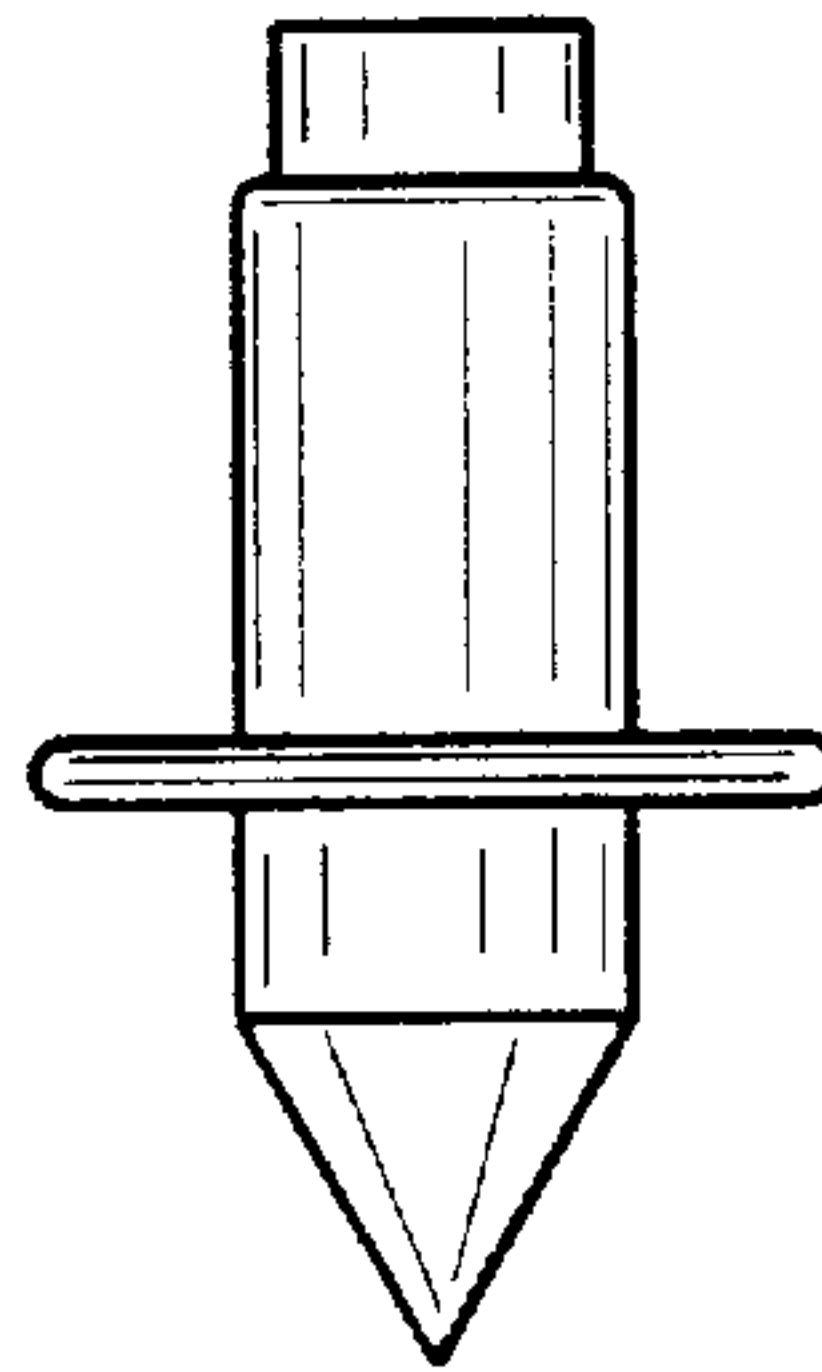


FIG. 5

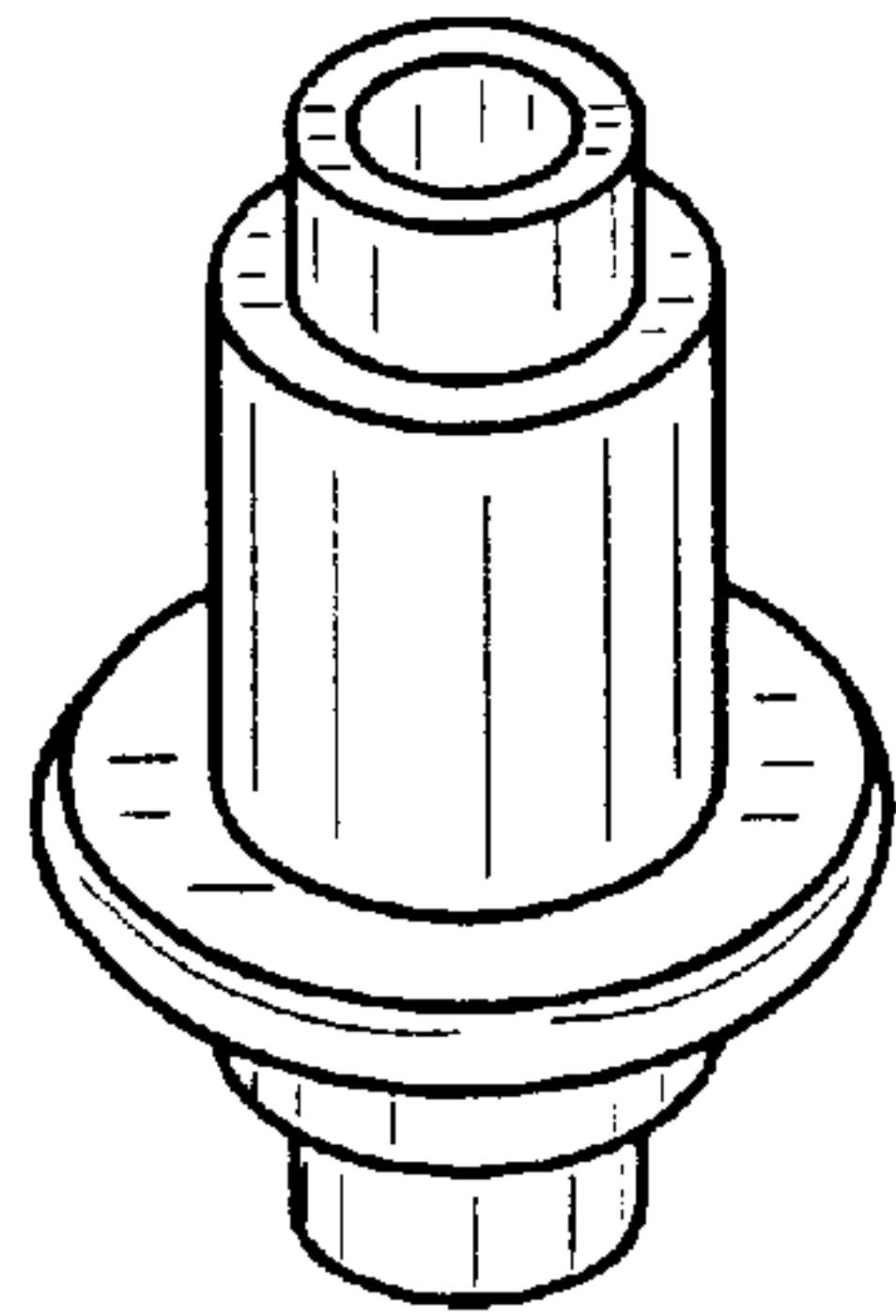


FIG. 6

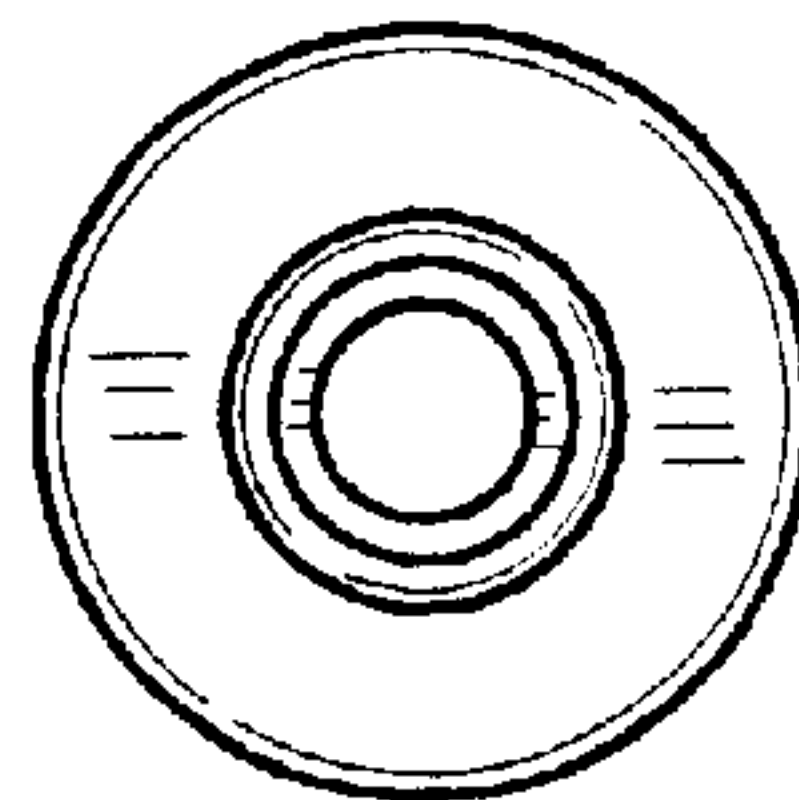


FIG. 7

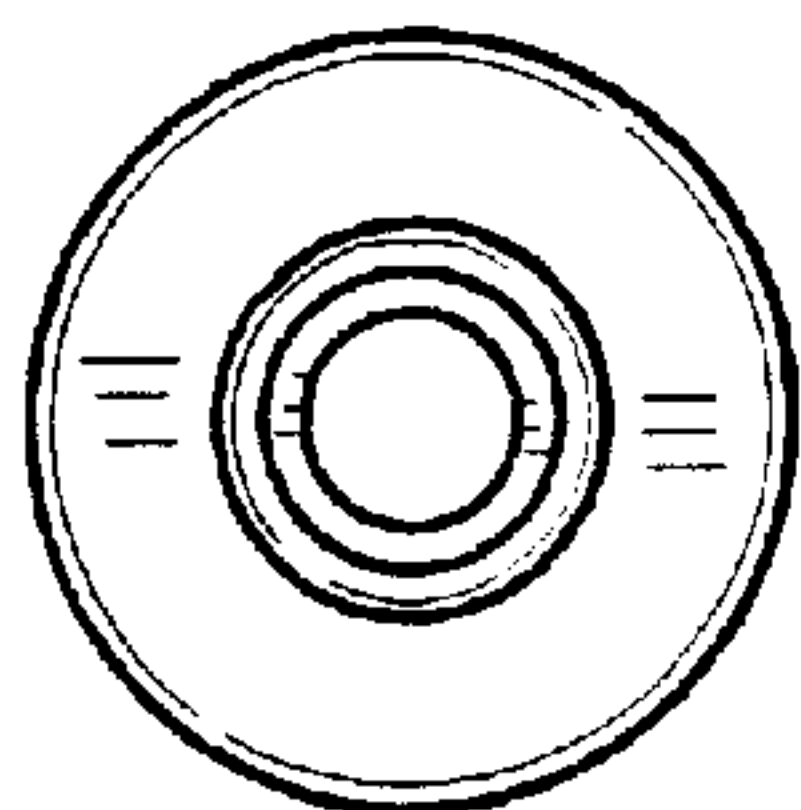


FIG. 8

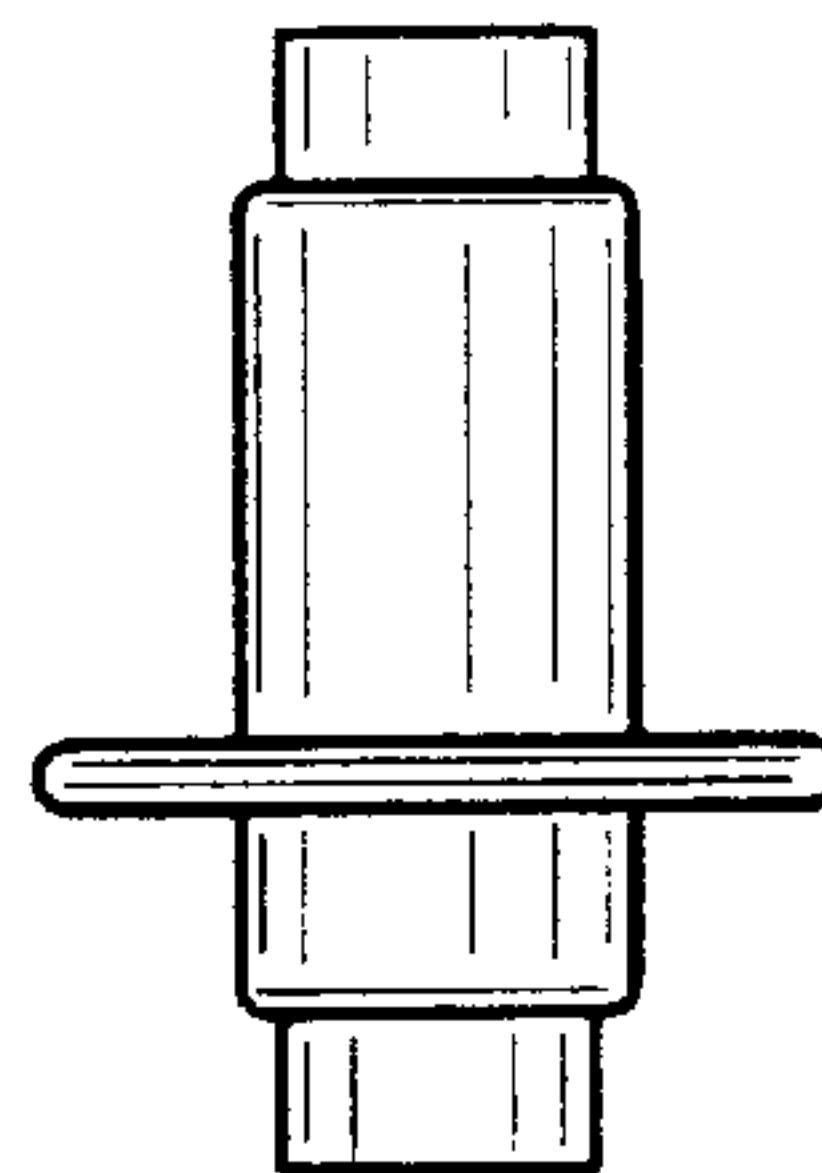


FIG. 9