



US00D414803S

# United States Patent [19]

Whaley

[11] Patent Number: **Des. 414,803**

[45] Date of Patent: **\*\* Oct. 5, 1999**

[54] **SPUR EYELET FASTENER WITH UNIFORM CIRCULAR BASE FOR SECURING RING BINDER MECHANISM**

[75] Inventor: **Paul Whaley**, Herculaneum, Mo.

[73] Assignee: **U.S. Ring Binder Corp.**, New Bedford, Mass.

[\*\*] Term: **14 Years**

[21] Appl. No.: **29/094,706**

[22] Filed: **Oct. 8, 1998**

[51] **LOC (6) Cl.** ..... **19-04**

[52] **U.S. Cl.** ..... **D19/32; D8/389; D19/27**

[58] **Field of Search** ..... 281/27.1, 27.3; D19/26, 27, 32, 65, 99, 100; D8/388, 389, 499; 402/36, 37, 38, 32, 26, 27, 64, 70, 73, 75, 80 R, 502; 411/468, 457-459, 460, 456, 466

### [56] References Cited

#### U.S. PATENT DOCUMENTS

D. 133,347	8/1942	Reiter	.....	D8/389
D. 133,348	8/1942	Reiter	.....	D8/389
797,083	8/1905	Stowe	.....	411/458
2,891,554	6/1959	Foster	.....	402/64
3,011,226	12/1961	Menge	.....	411/466
3,108,823	10/1963	Thaw	.....	281/27.2
5,100,253	3/1992	Cooper	.....	402/75
5,160,209	11/1992	Schuessler	.....	402/75

5,312,456	5/1994	Reed et al.	.....	411/456
5,755,513	5/1998	To	.....	402/36
5,842,807	12/1998	To	.....	402/36
5,882,135	2/1999	Ko	.....	402/36

*Primary Examiner*—Martie K. Holtje  
*Attorney, Agent, or Firm*—Polster Lieder Woodruff & Luccesi

### [57] CLAIM

The ornamental design for spur eyelet fastener with uniform circular base for securing ring binder mechanism, as shown and described.

### DESCRIPTION

FIG. 1 is a perspective view of a spur eyelet fastener with uniform circular base for securing ring binder mechanism showing my new design, the ring binding structure and the binder cover depicted by means of broken lines have been shown for illustrative purposes only and form no part of the claimed design;

FIG. 2 is a second perspective view;

FIG. 3 is a top plan view;

FIG. 4 is a bottom plan view;

FIG. 5 is a side elevational view;

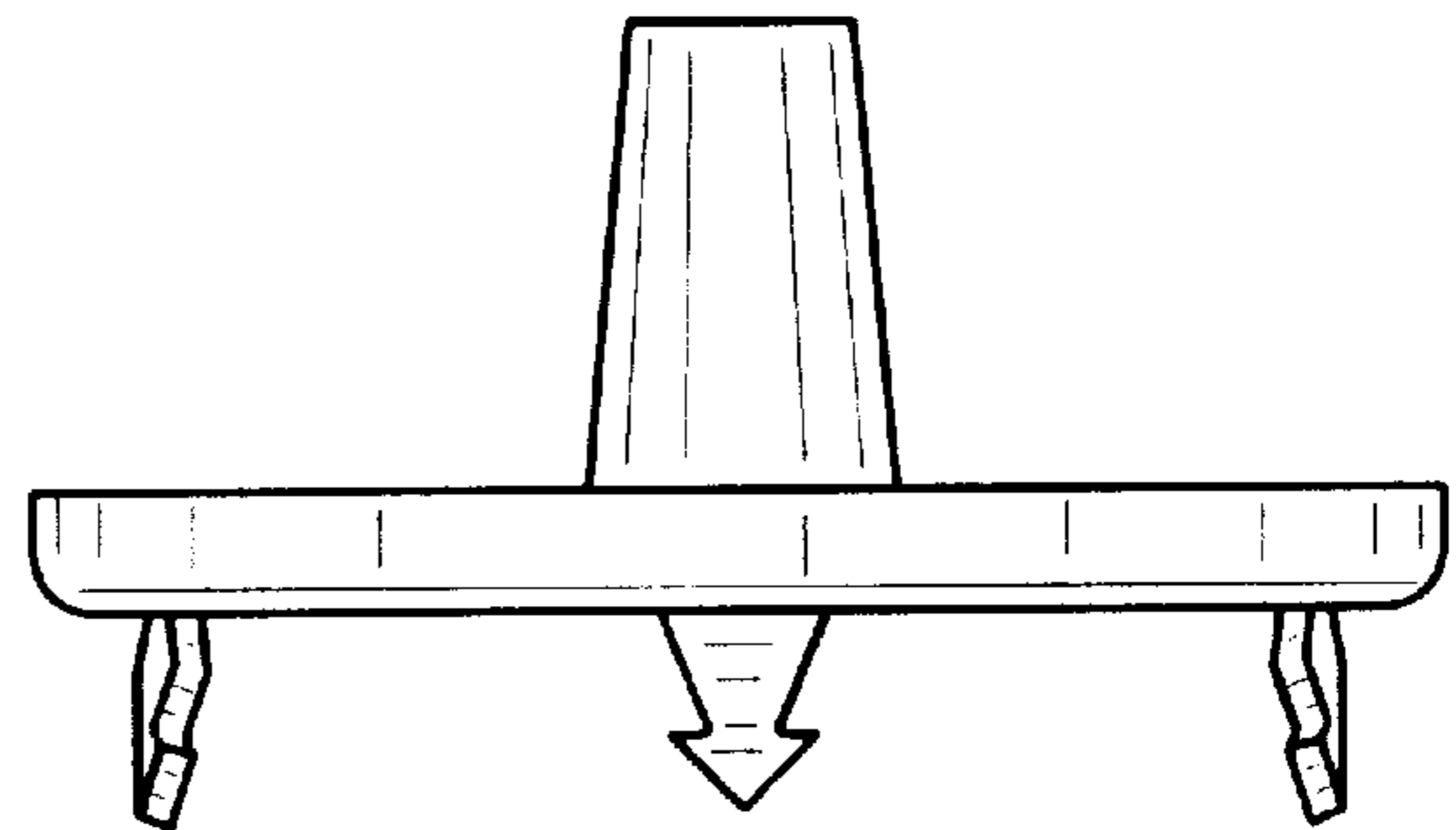
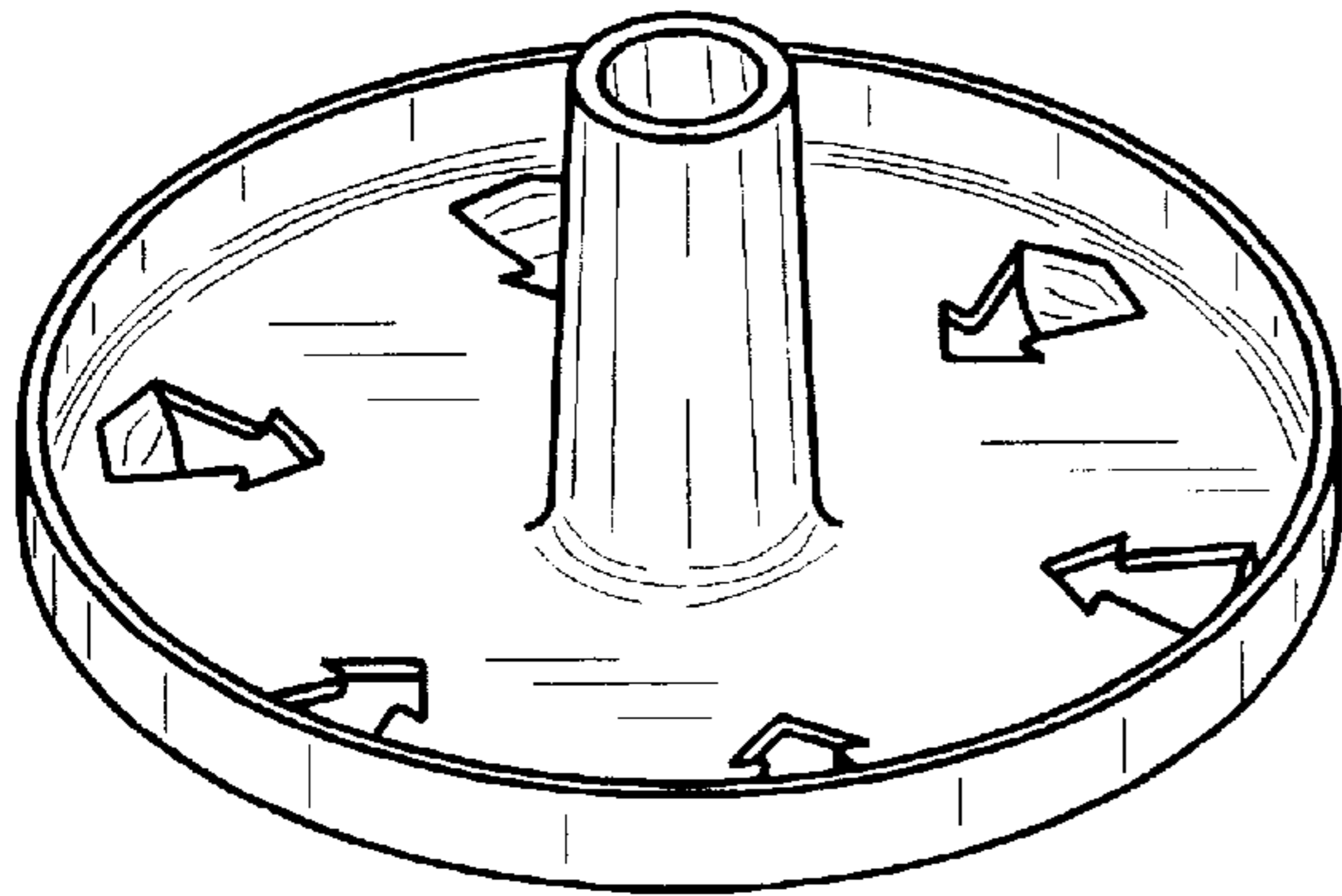
FIG. 6 is a perspective view of a second embodiment of my design of FIG. 1:

FIG. 7 is a top plan view of the second embodiment;

FIG. 8 is a bottom plan view of the second embodiment; and,

FIG. 9 is a side elevational view of the second embodiment.

**1 Claim, 3 Drawing Sheets**



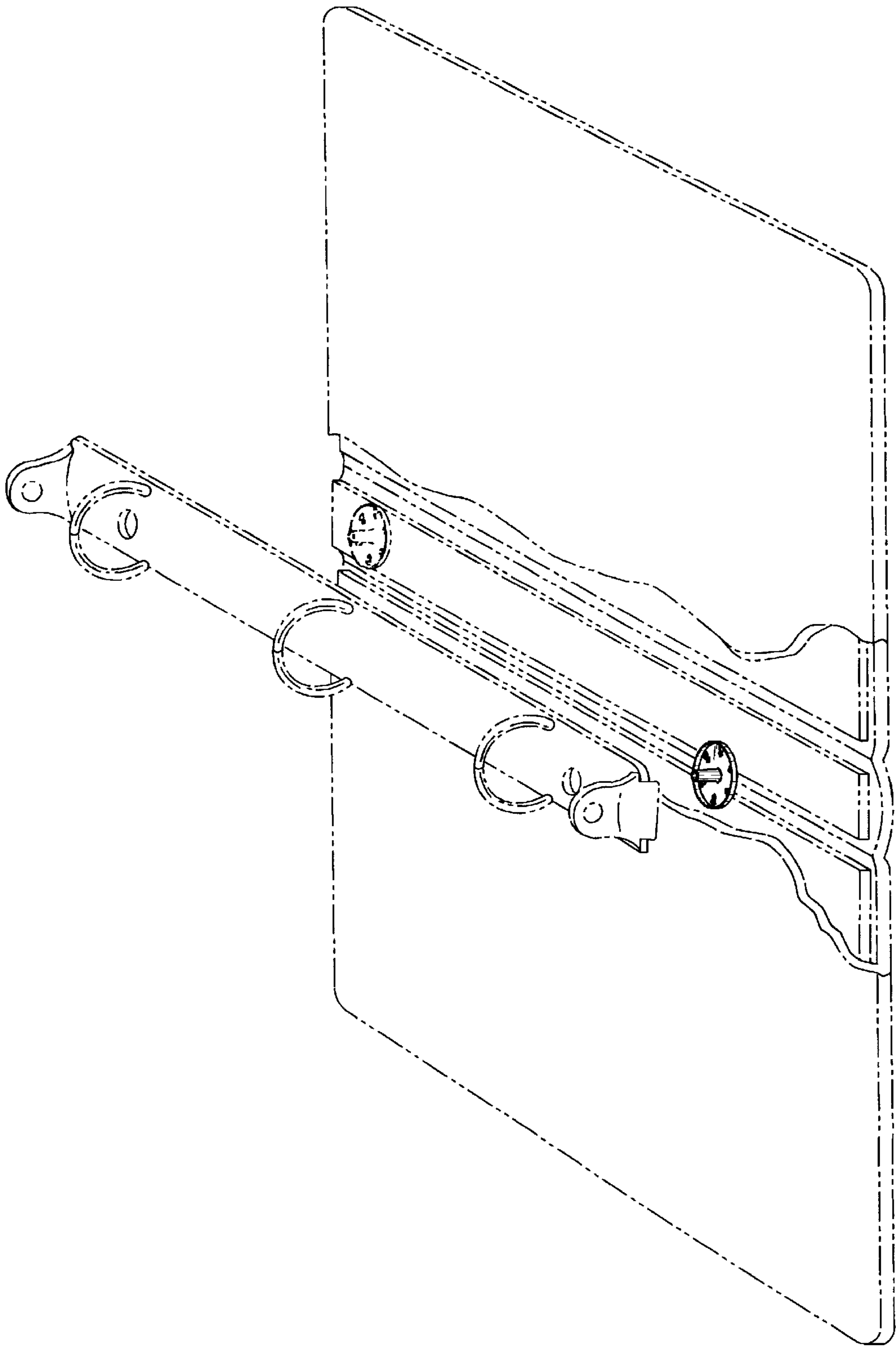


FIG. 1

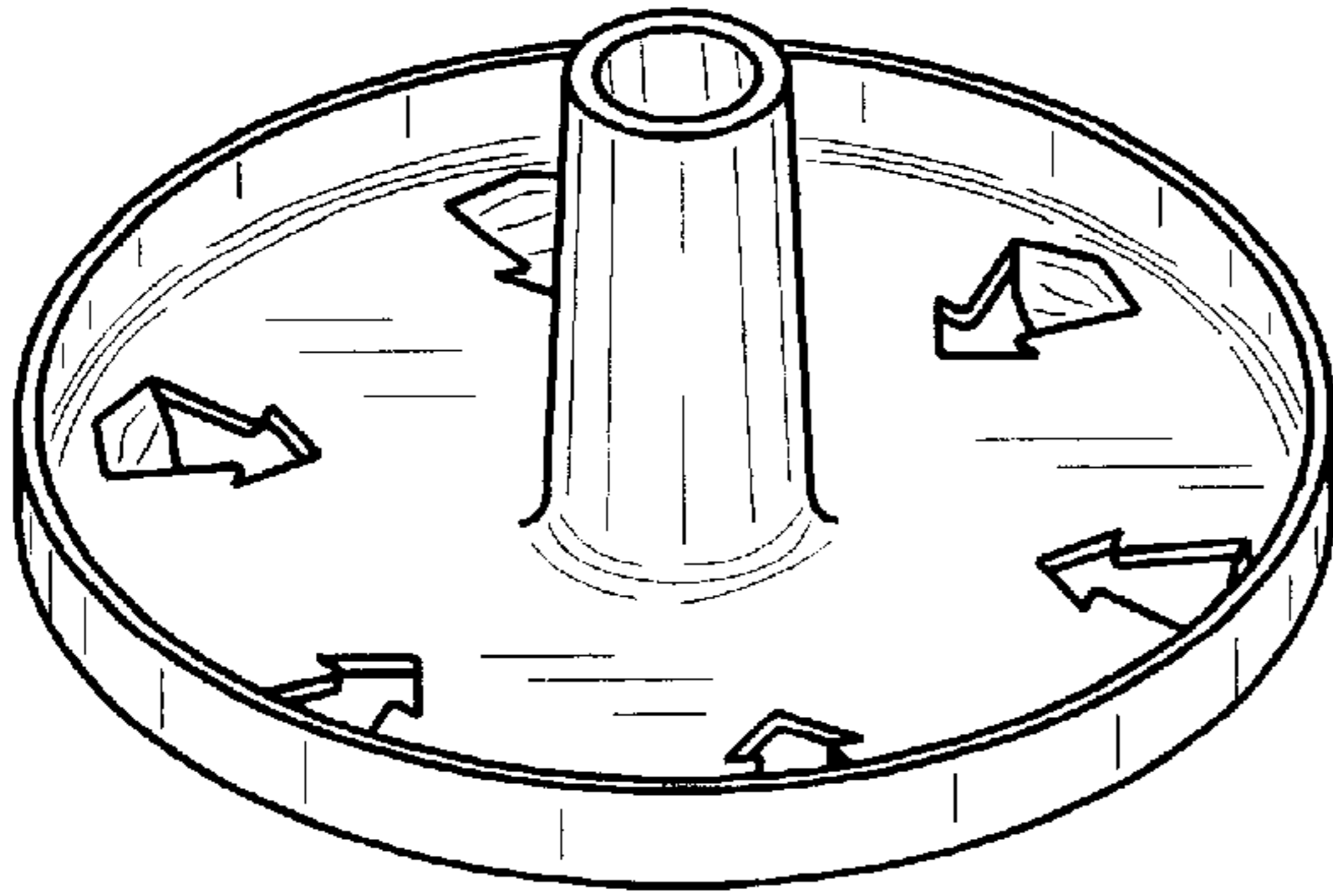


FIG. 2

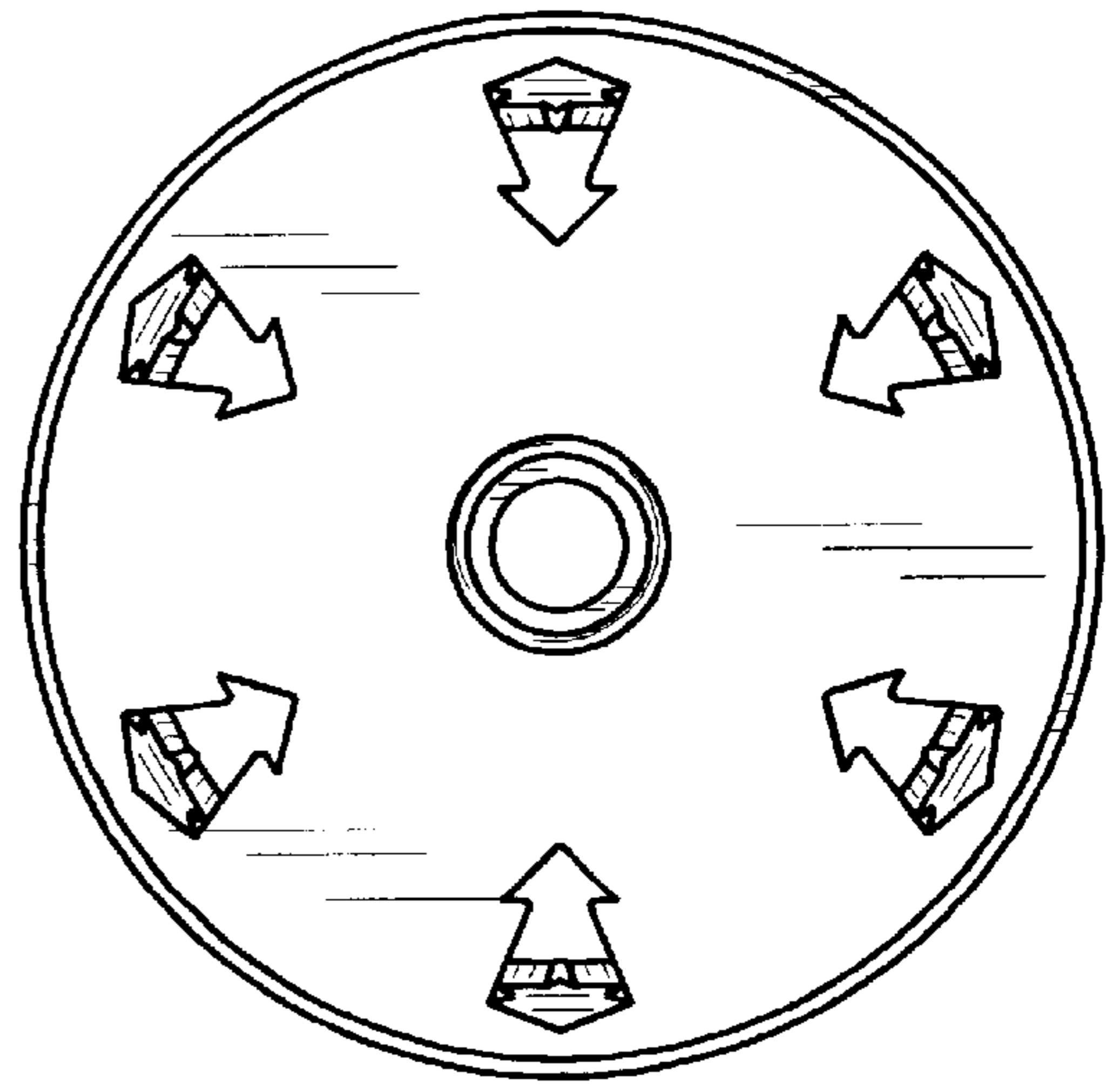


FIG. 3

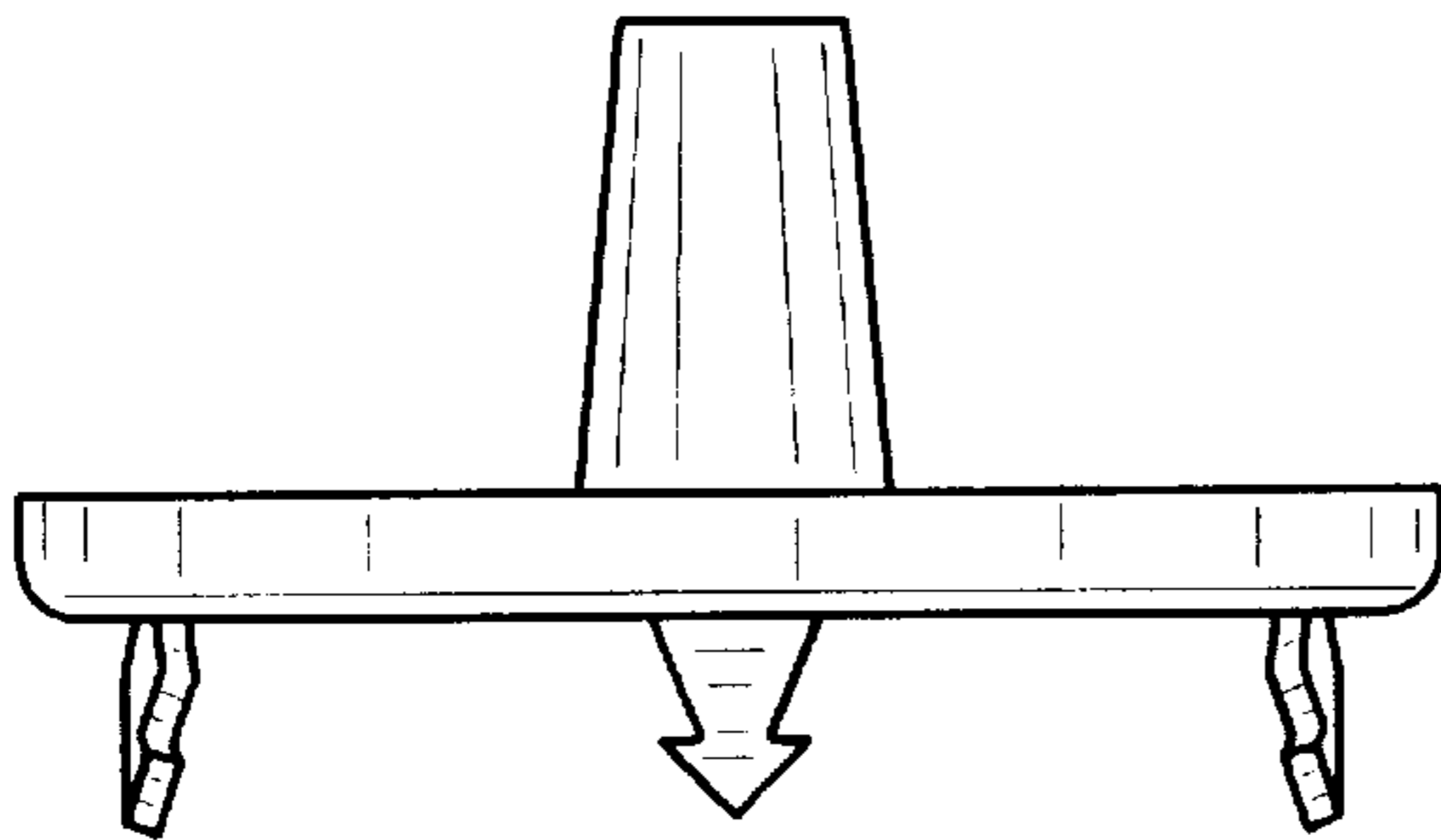


FIG. 5

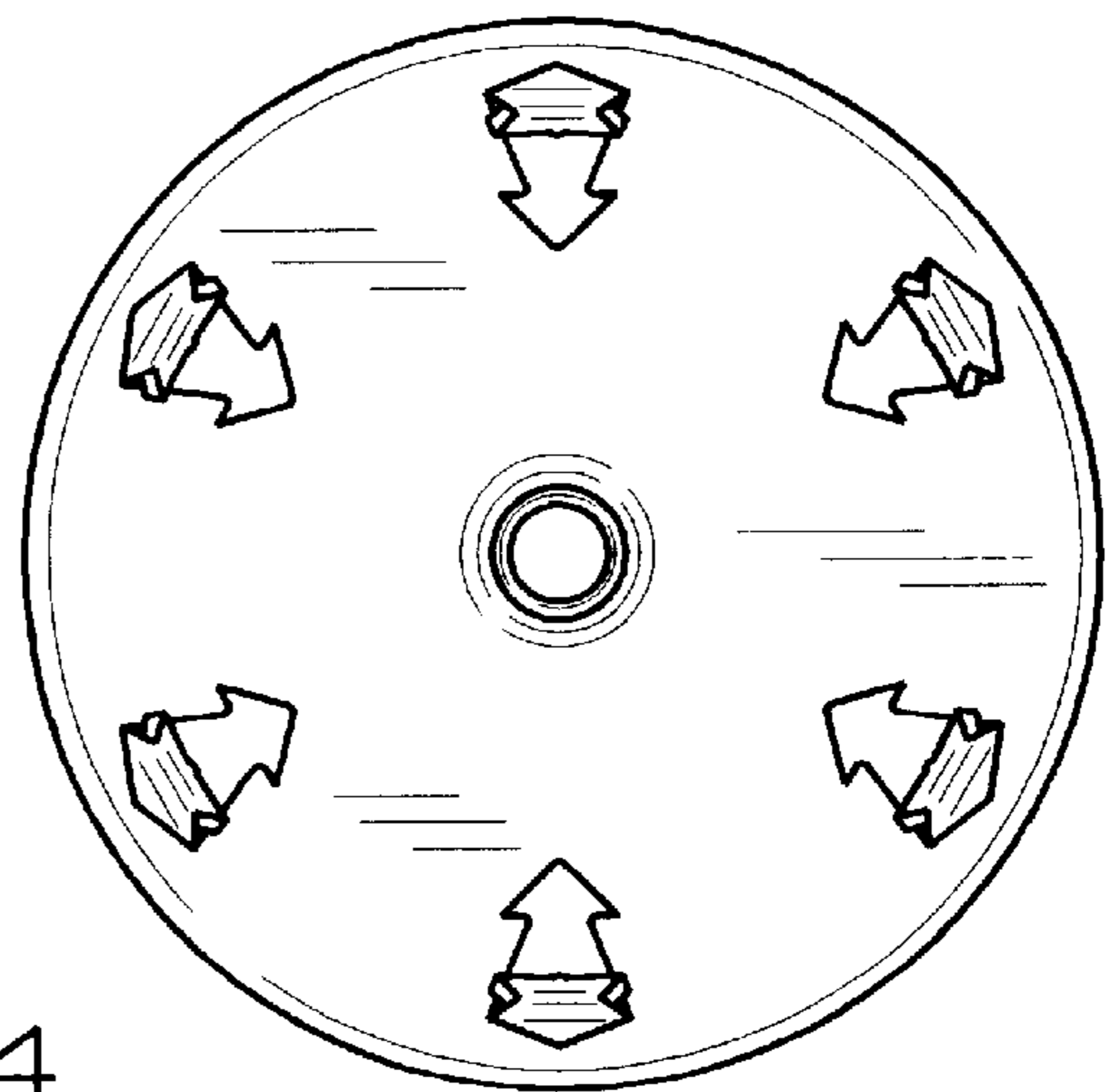


FIG. 4

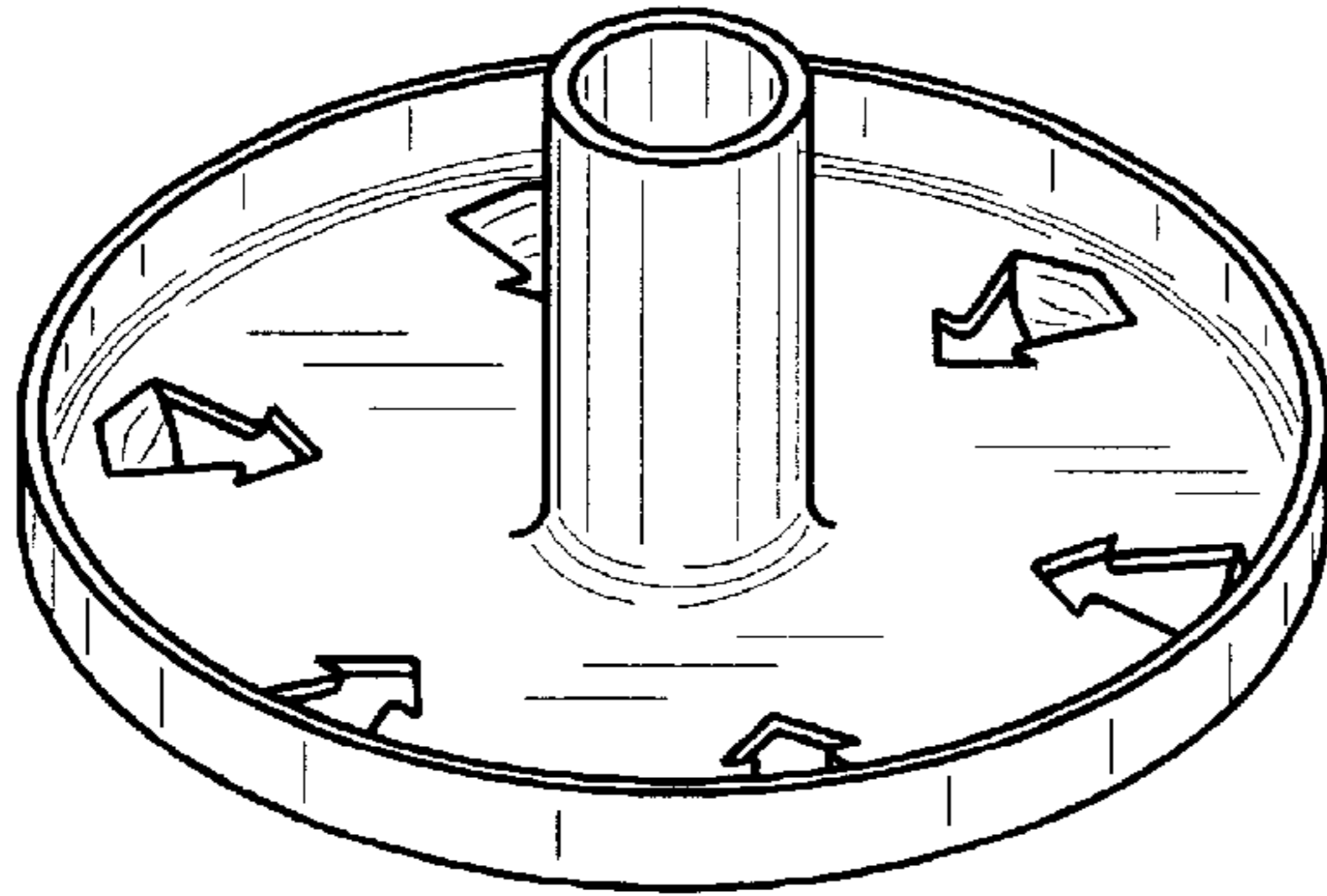


FIG. 6

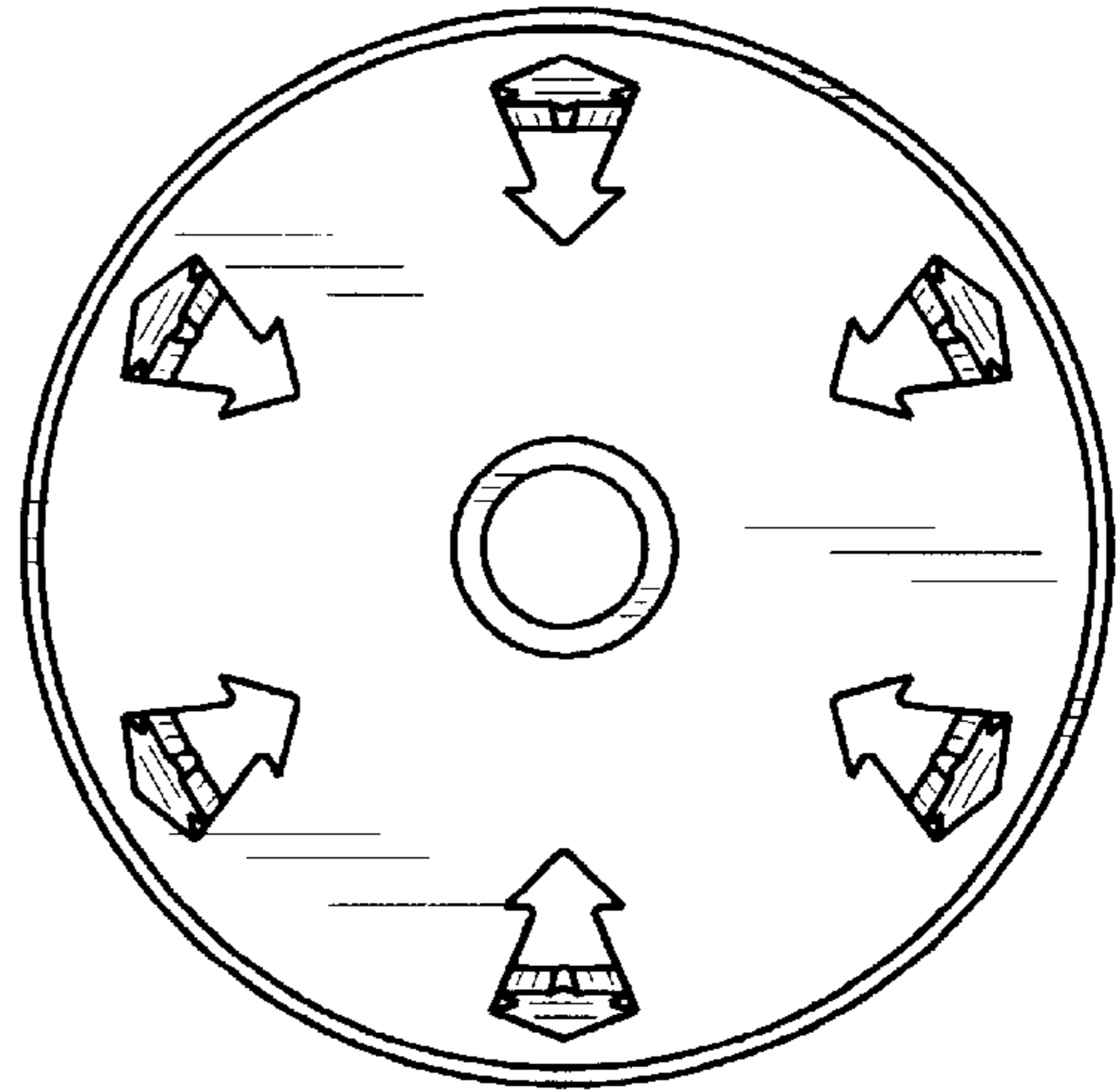


FIG. 7

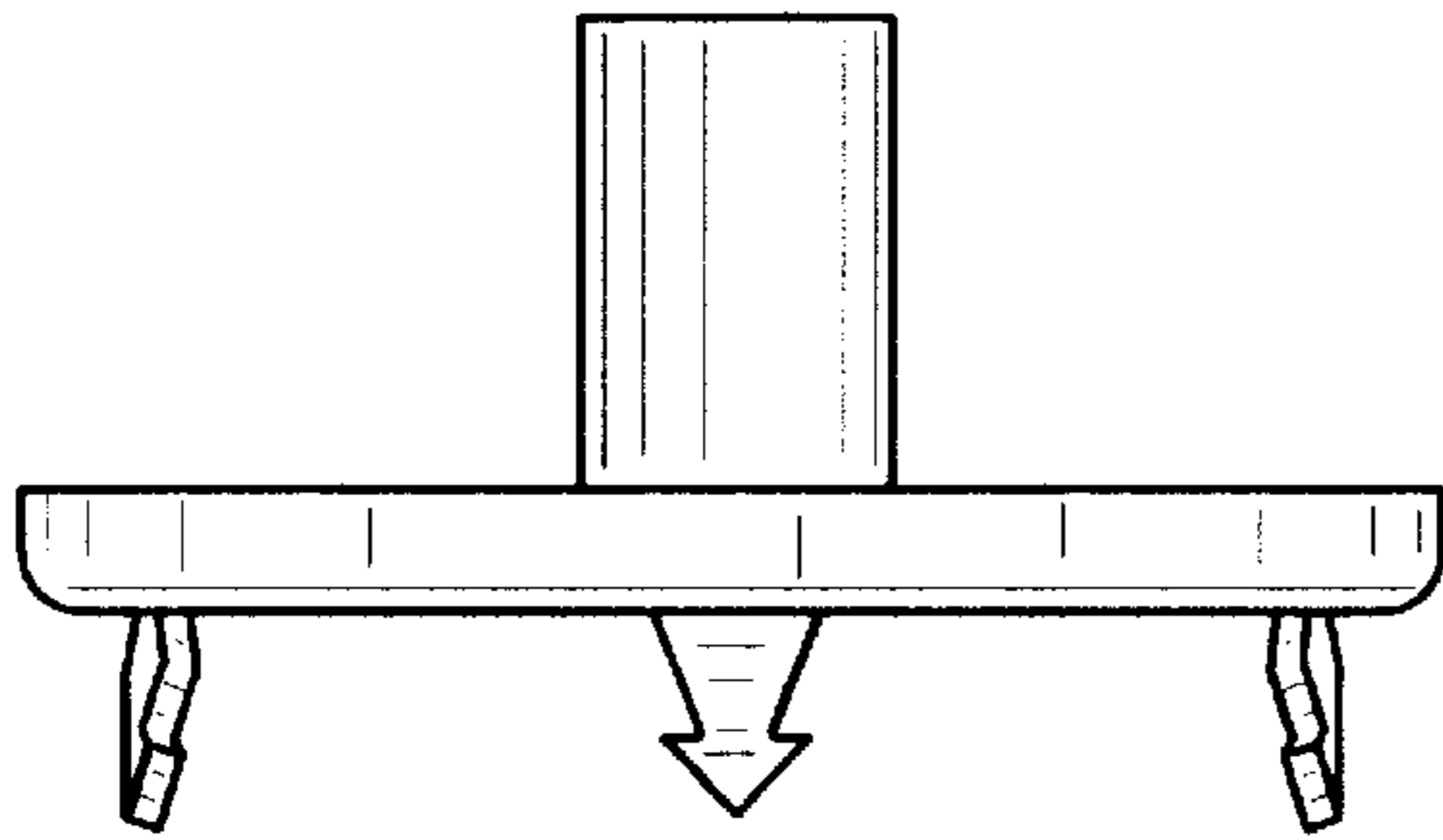


FIG. 9

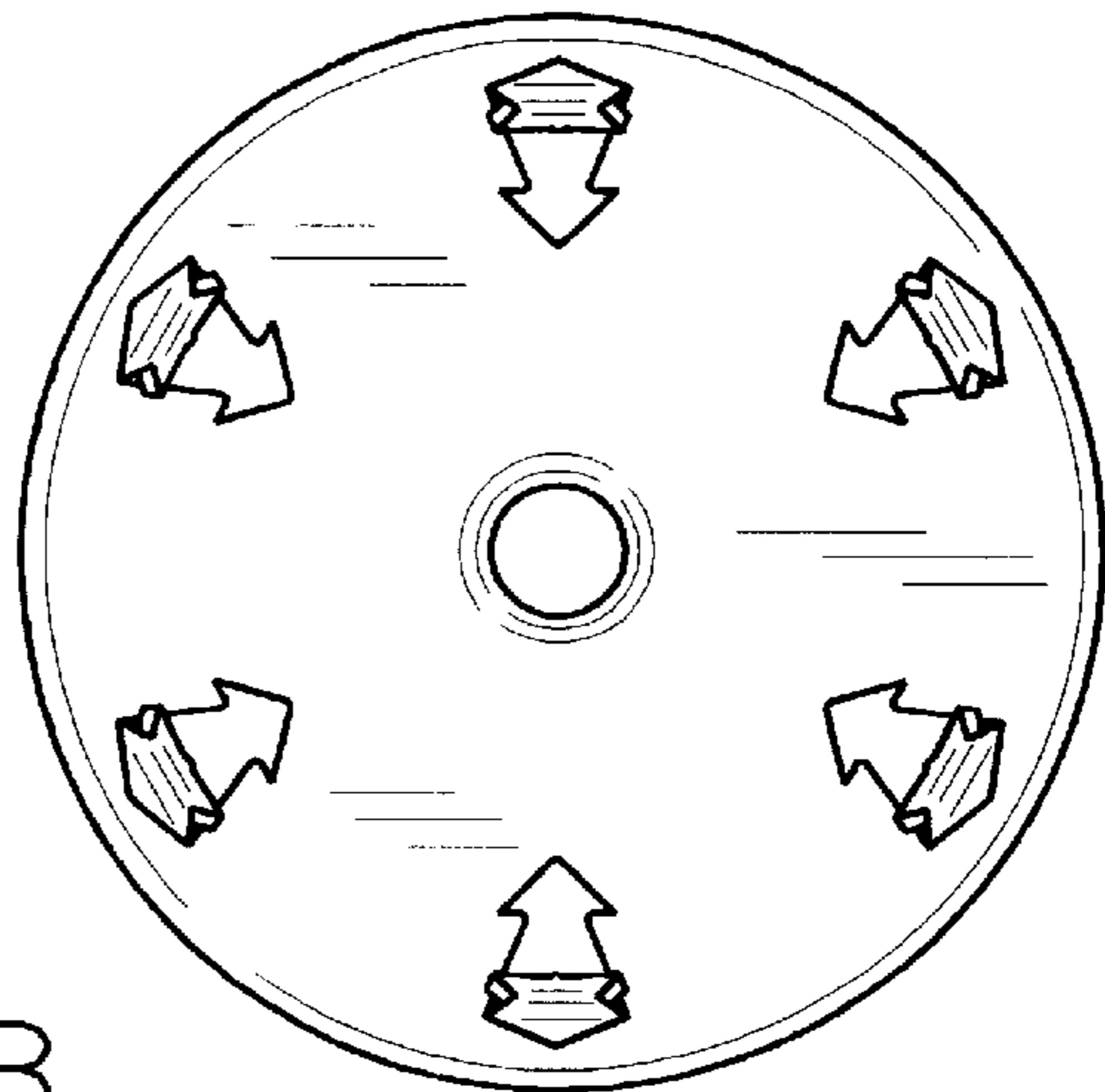


FIG. 8