



US00D414802S

United States Patent [19] Whaley

[11] Patent Number: Des. 414,802

[45] Date of Patent: ** Oct. 5, 1999

[54] SPUR EYELET FOR RING BINDER

5,842,807 12/1998 To 402/36
5,879,097 3/1999 Cheng 402/26

[75] Inventor: Paul Whaley, Herculaneum, Mo.

Primary Examiner—Martie K. Holtjie
Attorney, Agent, or Firm—Polster, Lieder, Woodruff & Lucchesi, LC

[73] Assignee: U.S. Ring Binder Corporation, St. Louis, Mo.

[**] Term: 14 Years

[57] CLAIM

[21] Appl. No.: 29/082,265

The ornamental design for spur eyelet for ring binder, as shown and described.

[22] Filed: Jan. 20, 1998

DESCRIPTION

[51] LOC (6) Cl. 19-04

[52] U.S. Cl. D19/32; D8/389

[58] Field of Search D19/26, 27, 32,
D19/65, 99, 100; D8/388, 389, 499; 24/306;
402/36, 37, 38, 26, 27, 32, 70, 73, 75,
80 R, 502; 411/468, 456, 457, 459, 460,
466

FIG. 1 is a side elevational view of a spur eyelet for ring binder showing my new design, the binder mechanism depicted by means of broken lines being shown for illustrative purposes only and forming no part of the claimed design;

FIG. 2 is a perspective view;

FIG. 3 is a side elevational view;

FIG. 4 is a side elevational view of the side opposite that shown in FIG. 3;

FIG. 5 is a side elevational view rotated 90 degrees from that shown in FIG. 3;

FIG. 6 is a side elevational view of the side opposite that shown in FIG. 5;

FIG. 7 is a top plan view; and,

FIG. 8 is a bottom plan view.

[56] References Cited

U.S. PATENT DOCUMENTS

D. 356,945	4/1995	Kinner	D8/399
3,011,226	12/1961	Menge	411/466
5,058,245	10/1991	Saito	24/306
5,100,253	3/1992	Cooper	402/75
5,160,209	11/1992	Schuessler	402/75
5,312,456	5/1994	Reed et al.	411/456

1 Claim, 2 Drawing Sheets

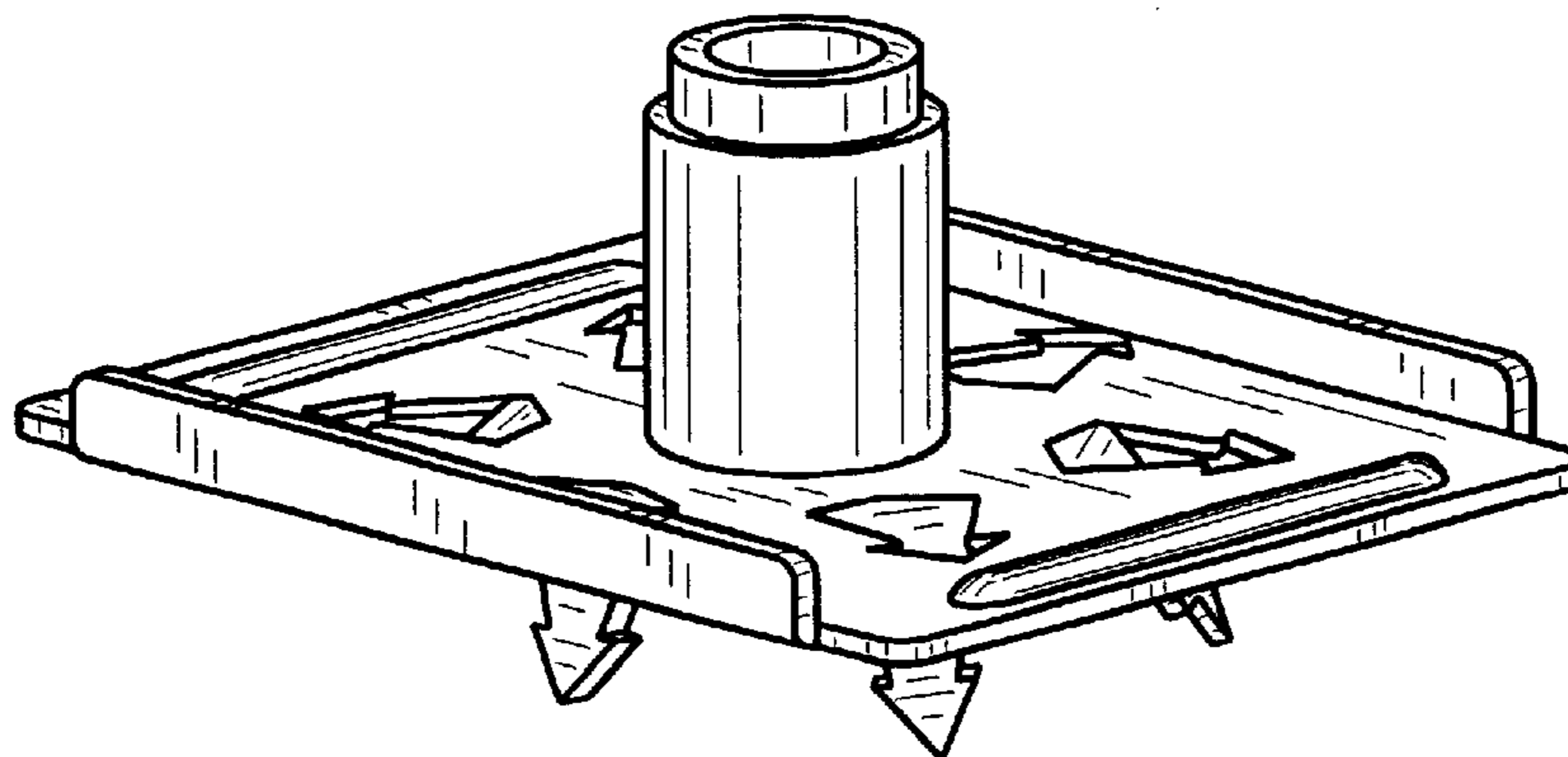
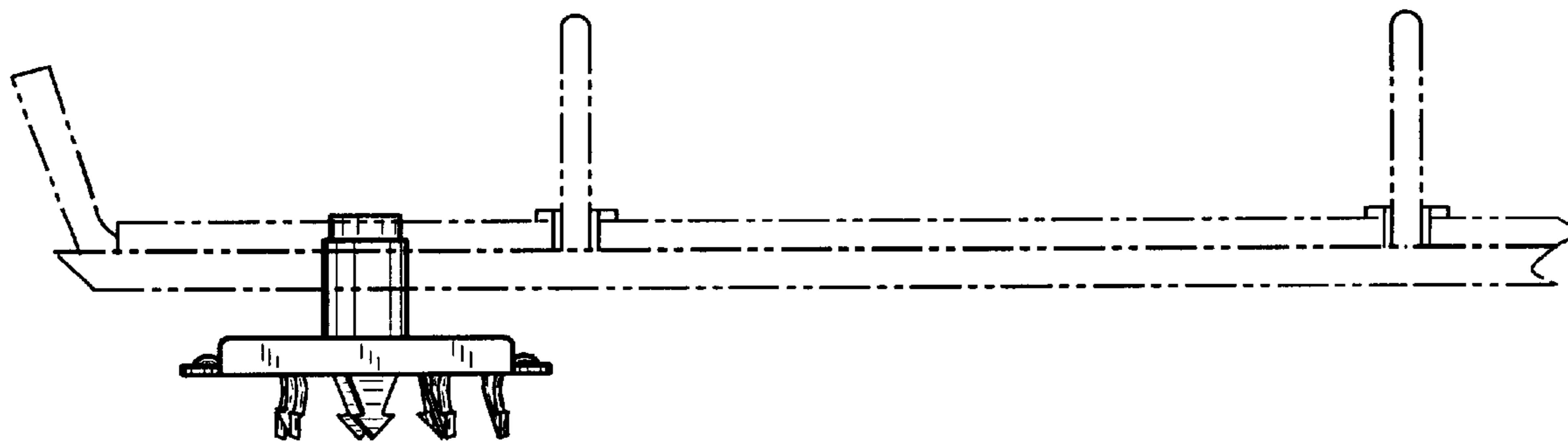




FIG. 1

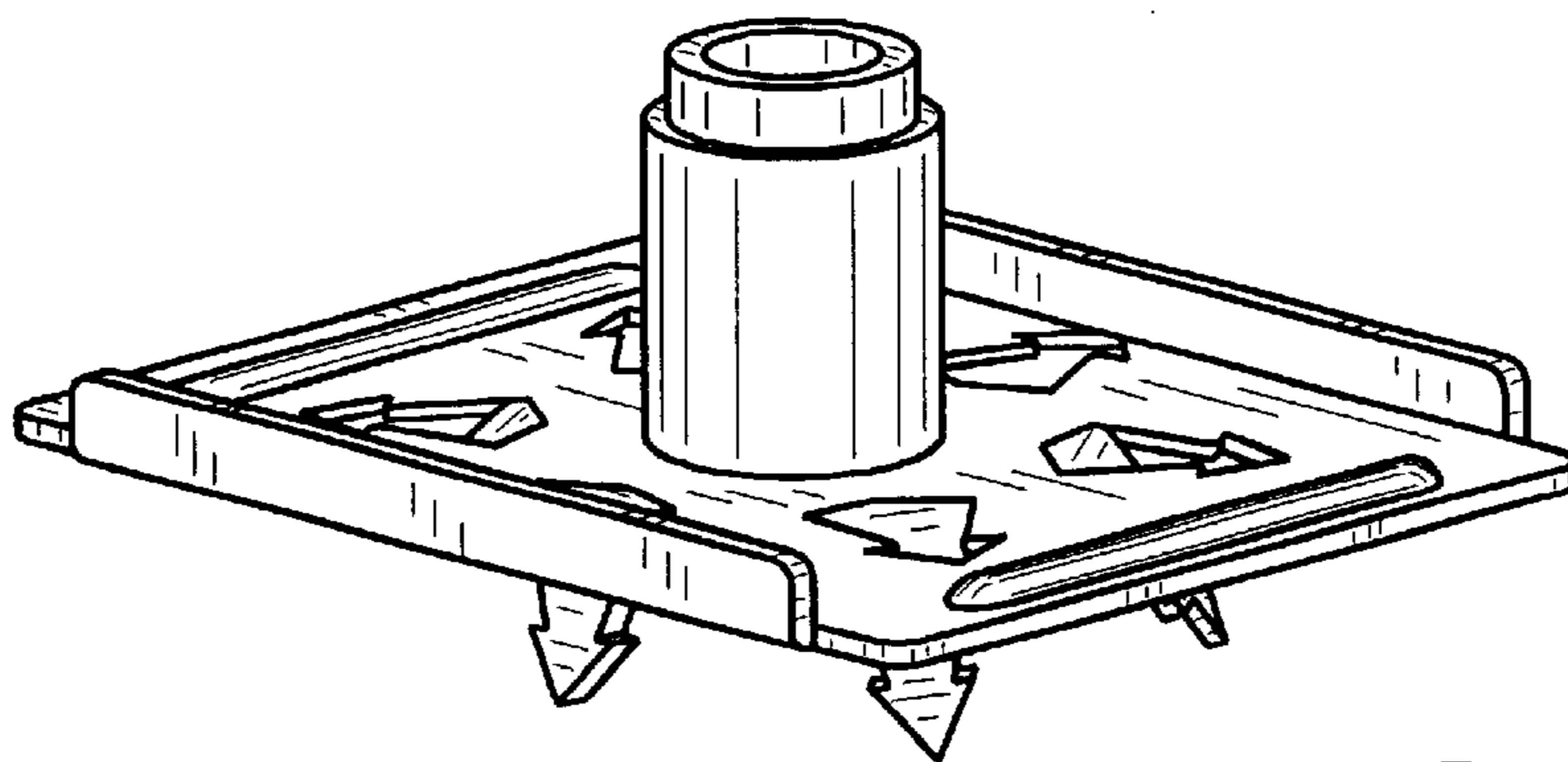


FIG. 2

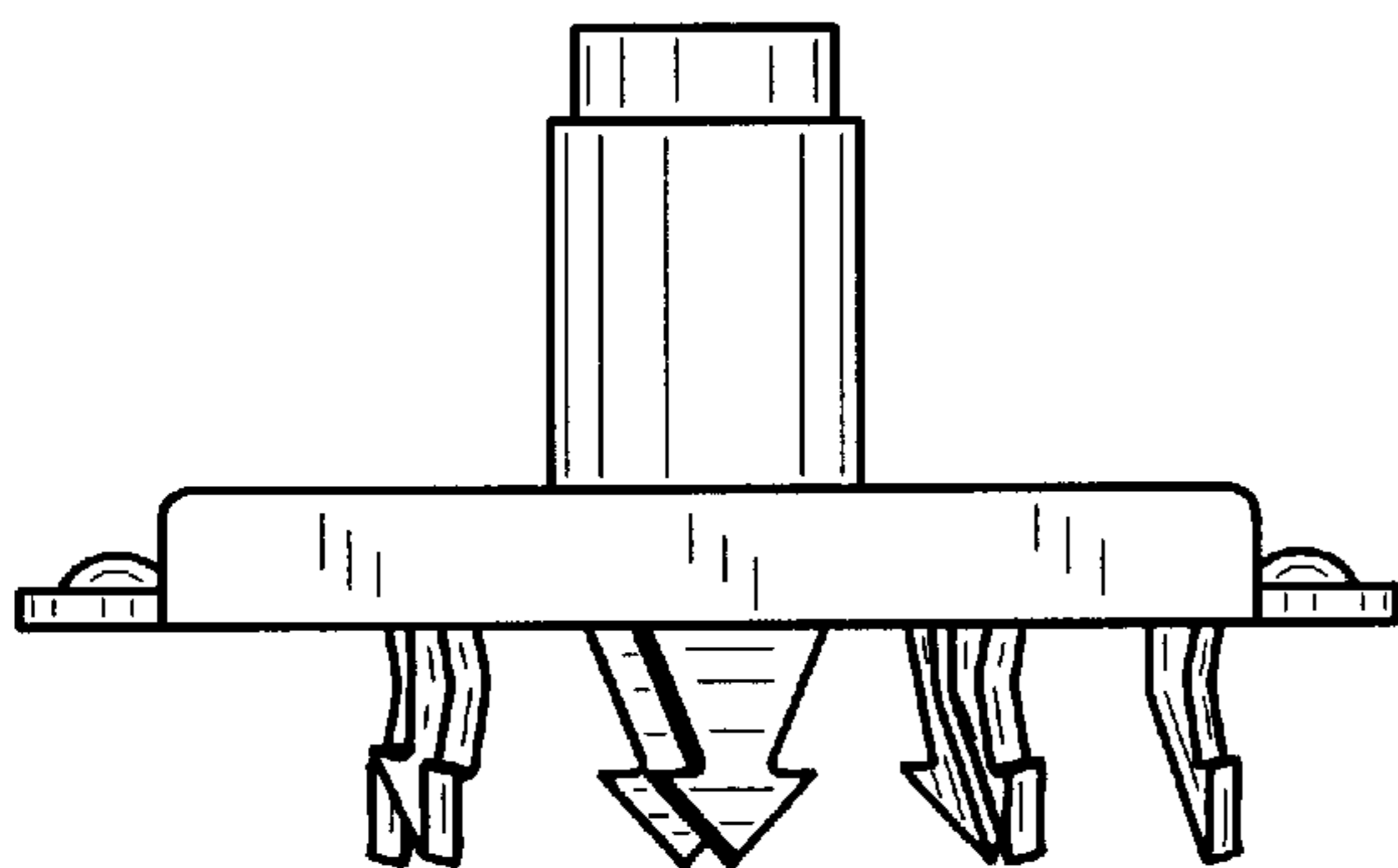


FIG. 3

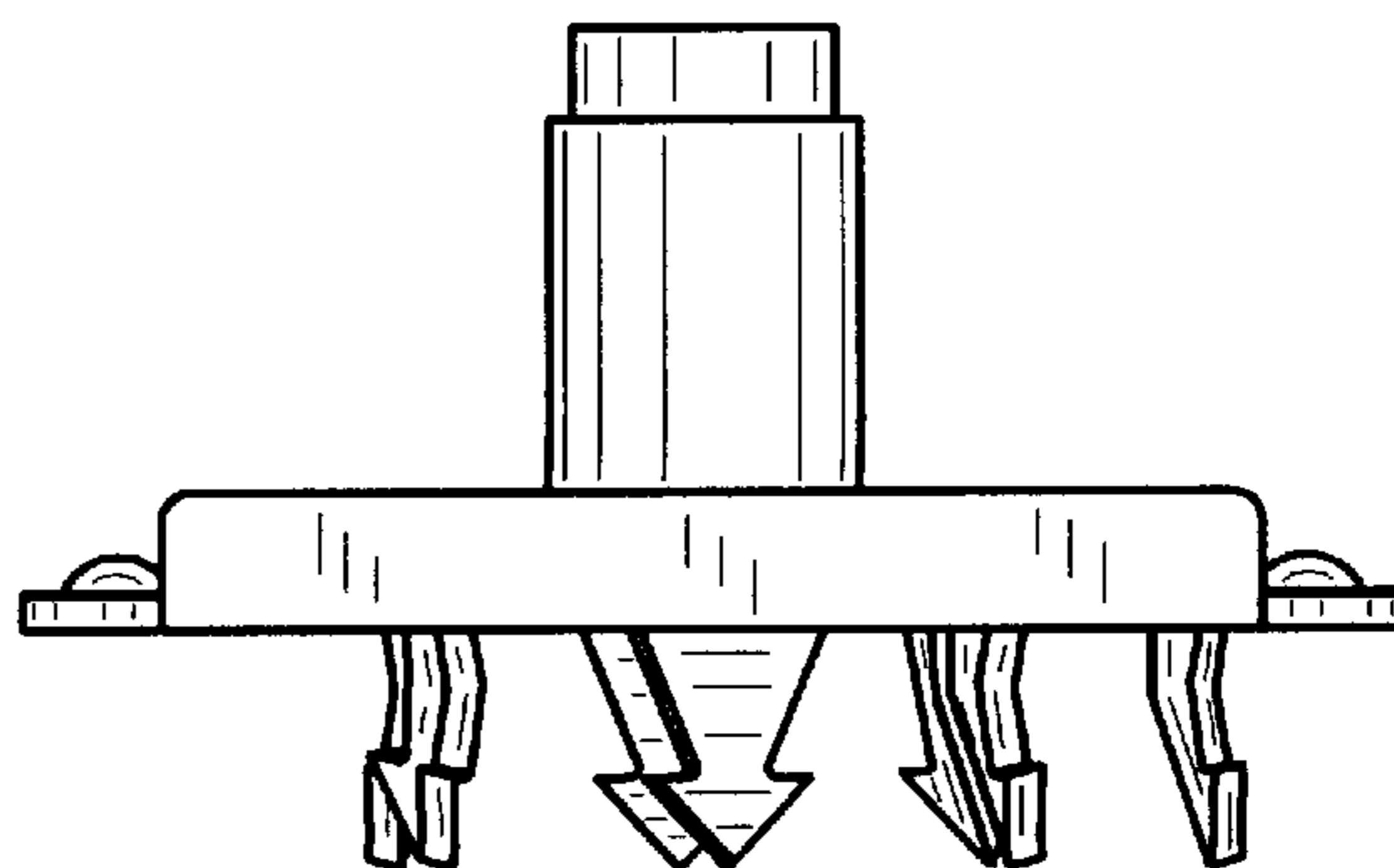


FIG. 4

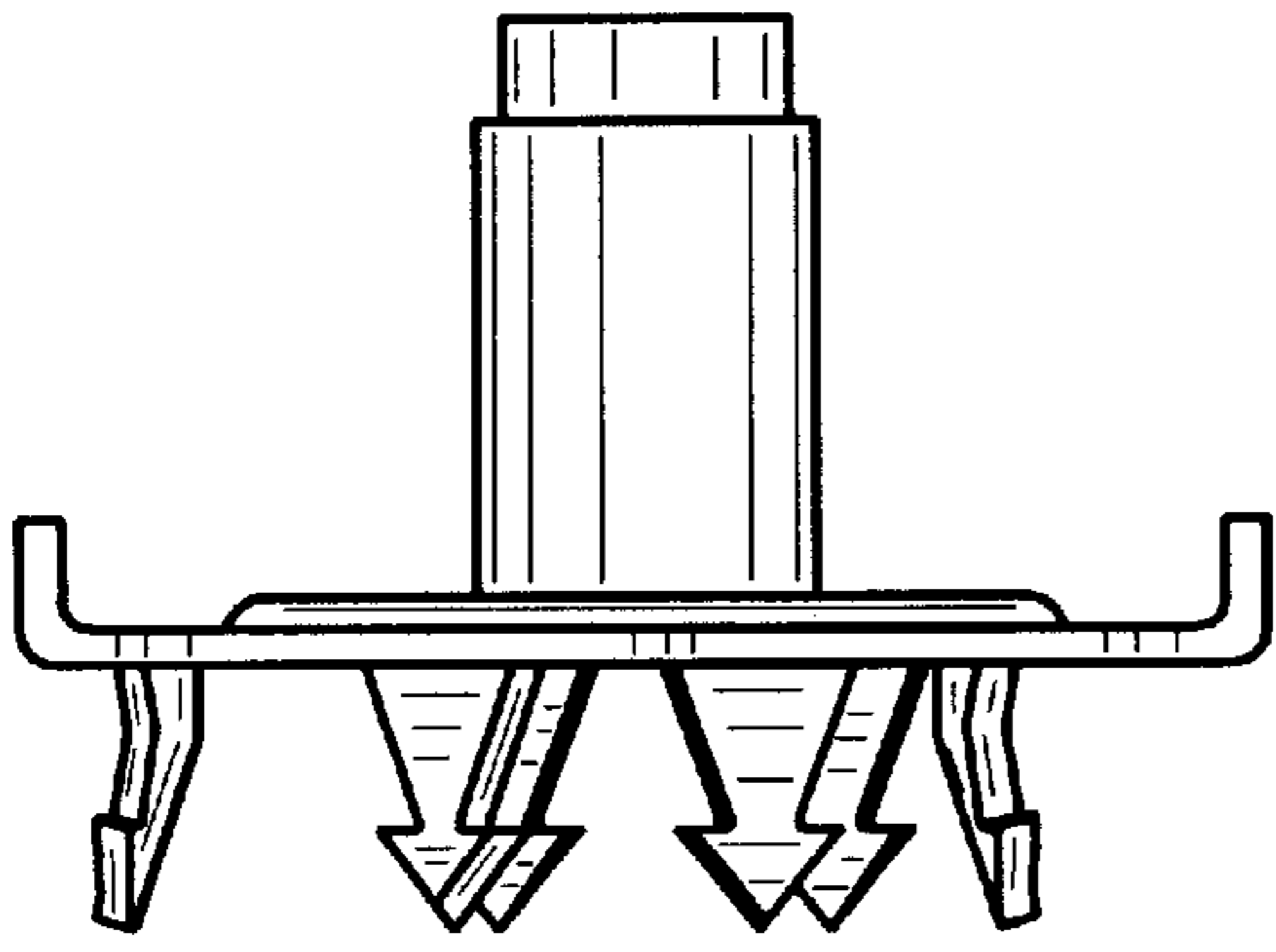


FIG. 5

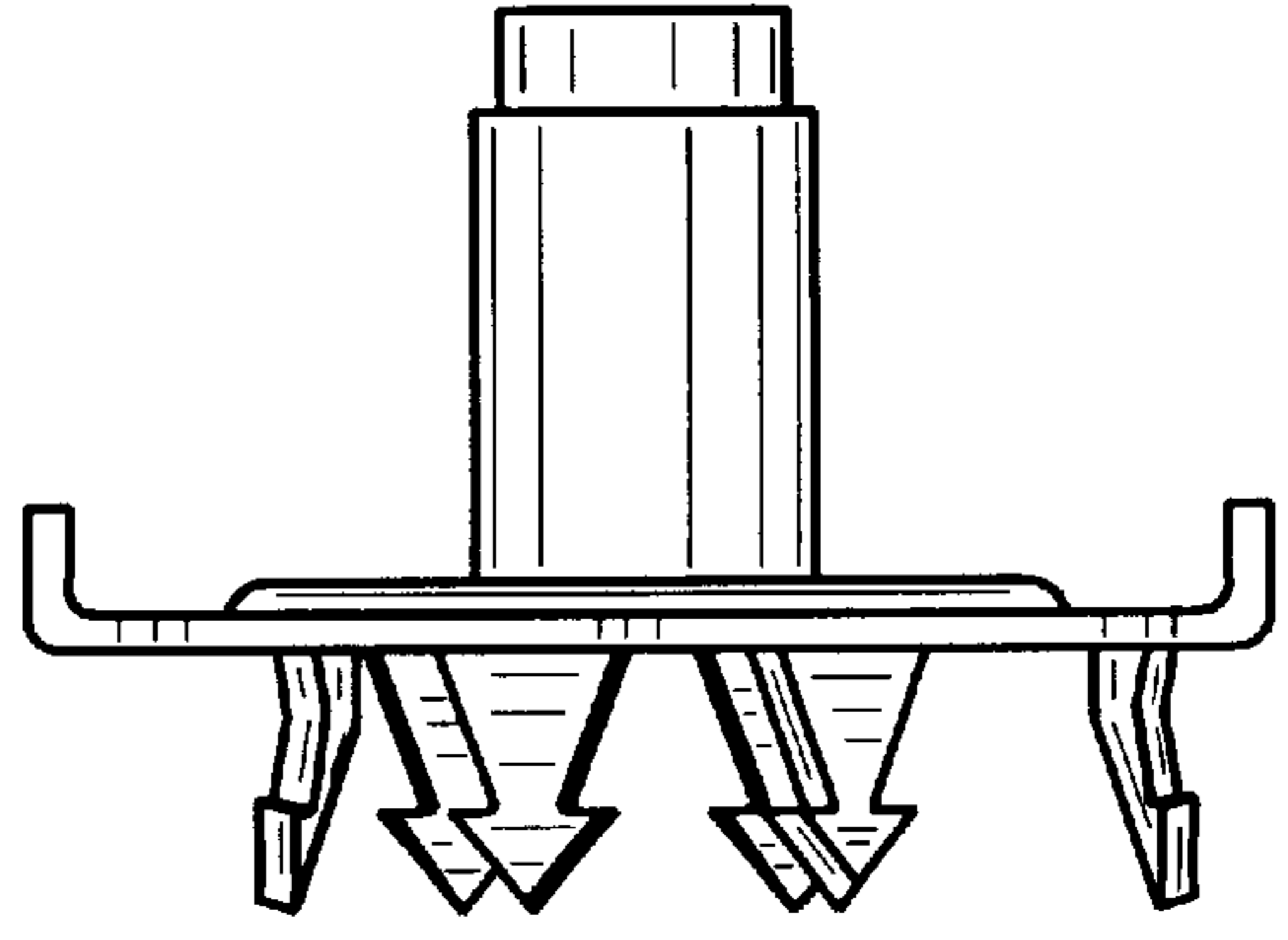


FIG. 6

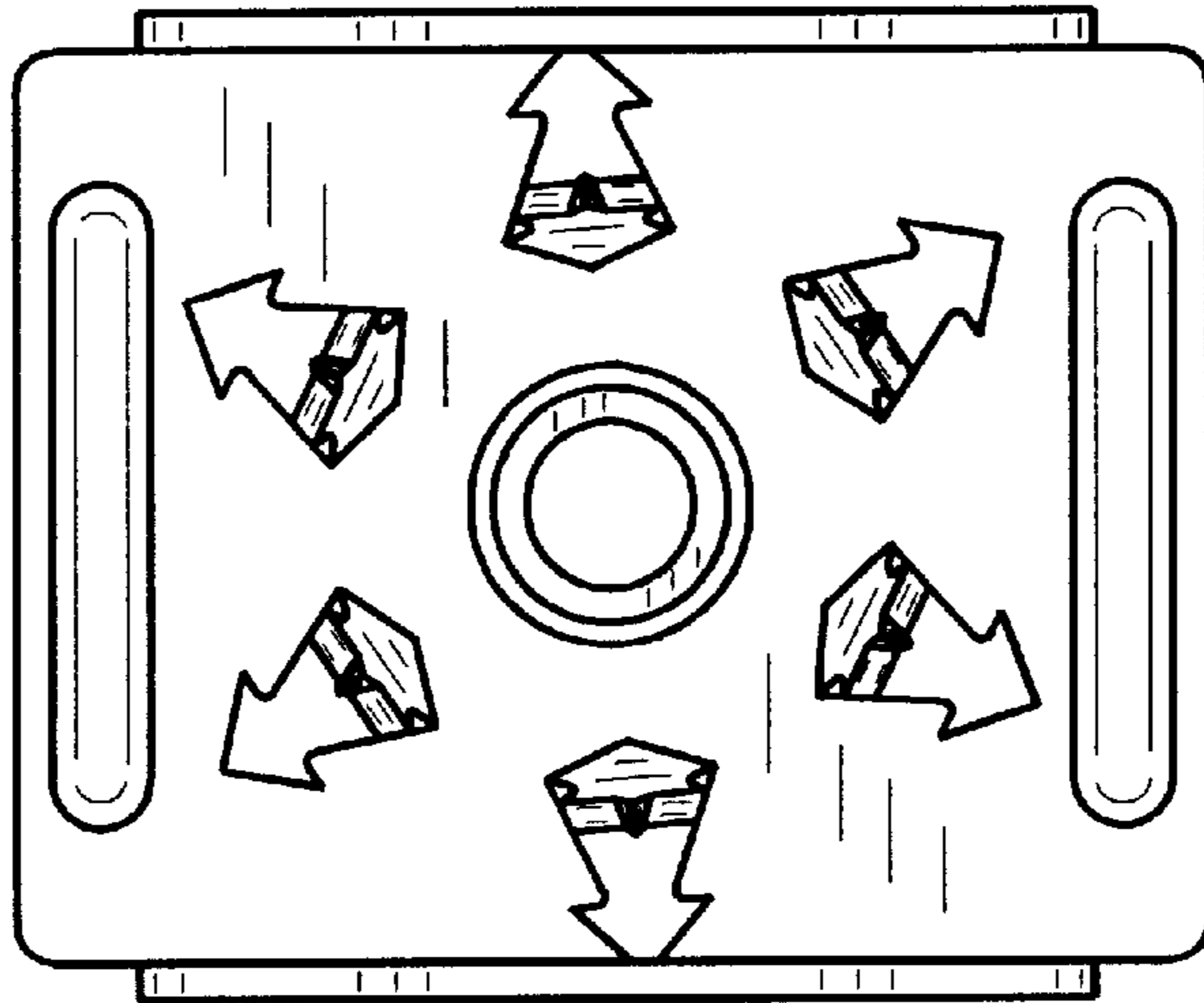


FIG. 7

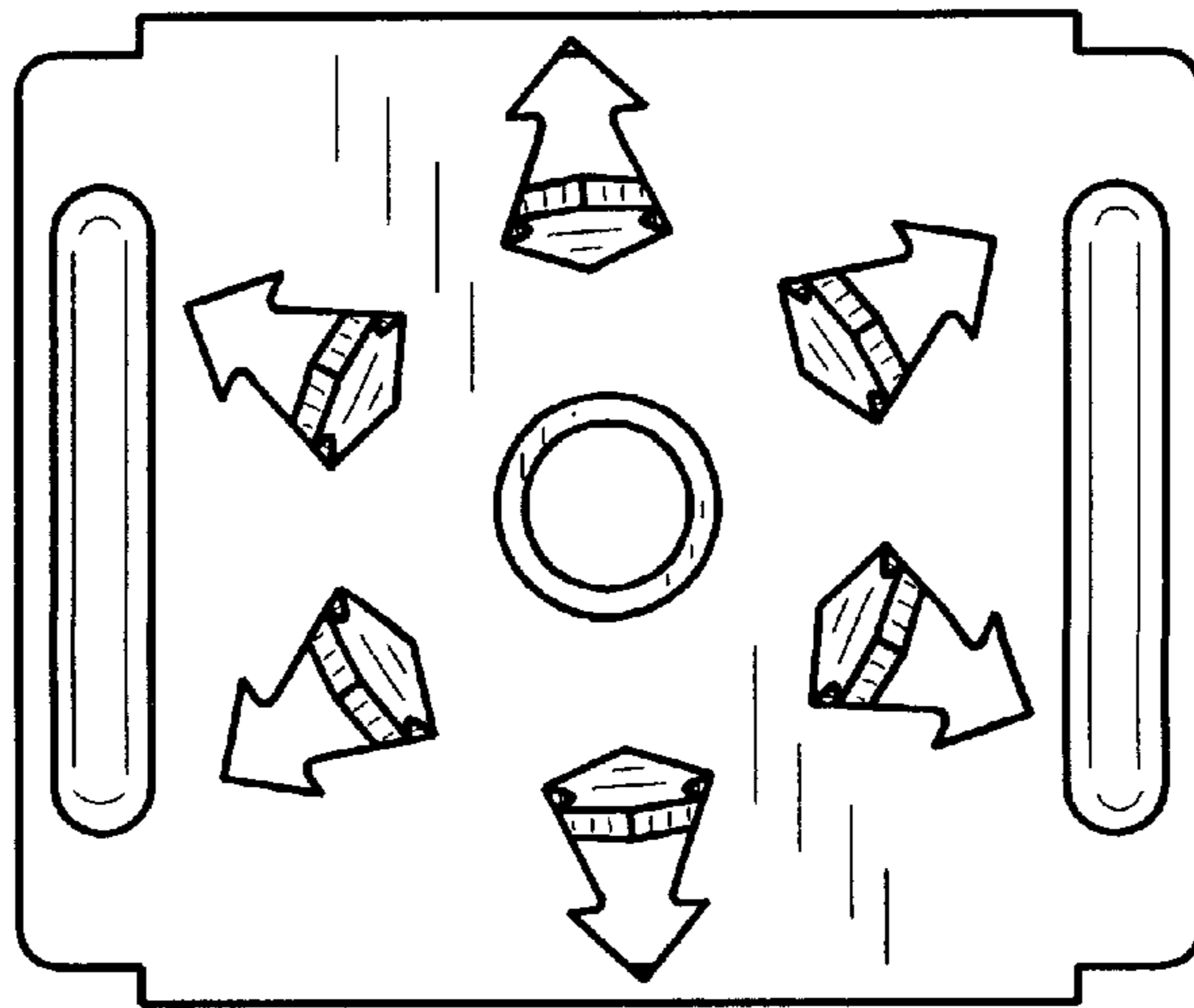


FIG. 8