



US00D414792S

United States Patent [19]

Harata

[11] Patent Number: Des. 414,792

[45] Date of Patent: ** Oct. 5, 1999

[54] COMBINED TAPE RECORDER AND CAMERA

5,499,052 3/1996 Nakanishi et al. 348/373

[75] Inventor: Tomohiro Harata, Tokyo, Japan

[73] Assignee: Sony Corporation, Tokyo, Japan

[**] Term: 14 Years

[21] Appl. No.: 29/085,131

[22] Filed: Mar. 17, 1998

[51] LOC (6) Cl. 16-01

[52] U.S. Cl. D16/202

[58] Field of Search D16/200-208;
348/373-376; 352/242, 243; 358/906; 396/535-543

[56] **References Cited**

U.S. PATENT DOCUMENTS

D. 375,108	10/1996	Harata	D16/202
D. 380,764	7/1997	Ishii	D16/202
D. 385,568	10/1997	Harata	D16/202
5,294,988	3/1994	Wakabayashi et al.	348/373

OTHER PUBLICATIONS

Catalog "80", pp. 7,8,9 & 10, Sony (Jul. 1980).
Catalog "87", p. 11, Sony (Nov. 1997).

Primary Examiner—Adir Aronovich
Attorney, Agent, or Firm—Foley & Lardner

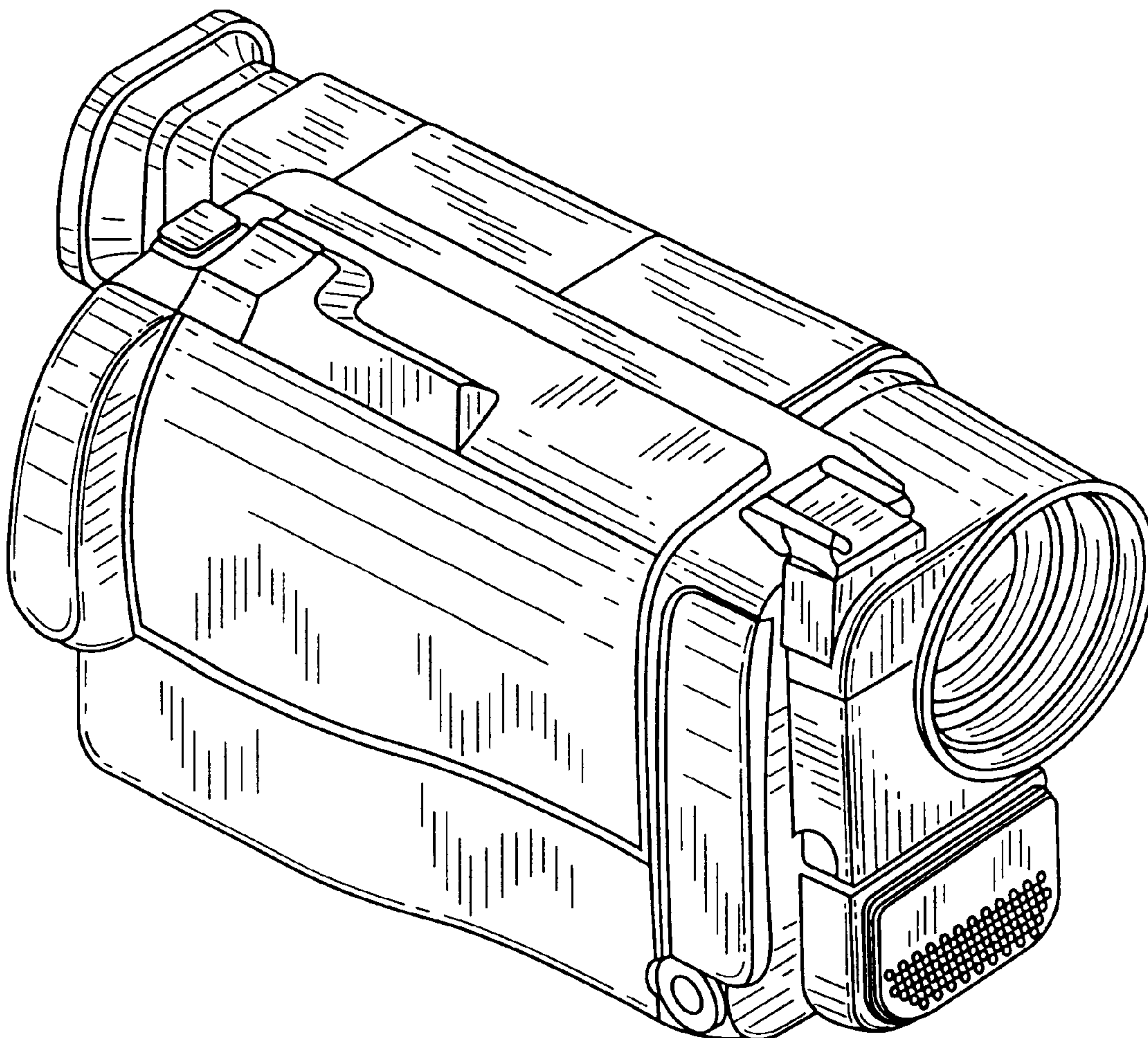
[57] **CLAIM**

The ornamental design for a combined tape recorder and camera, as shown and described.

DESCRIPTION

FIG. 1 is a perspective view of a combined tape recorder and camera showing my new design;
FIG. 2 is a top plan view thereof;
FIG. 3 is a left side elevational view thereof;
FIG. 4 is a front elevational view thereof;
FIG. 5 is a right side elevational view thereof;
FIG. 6 is a rear elevational view thereof; and,
FIG. 7 is a bottom plan view thereof.

1 Claim, 4 Drawing Sheets



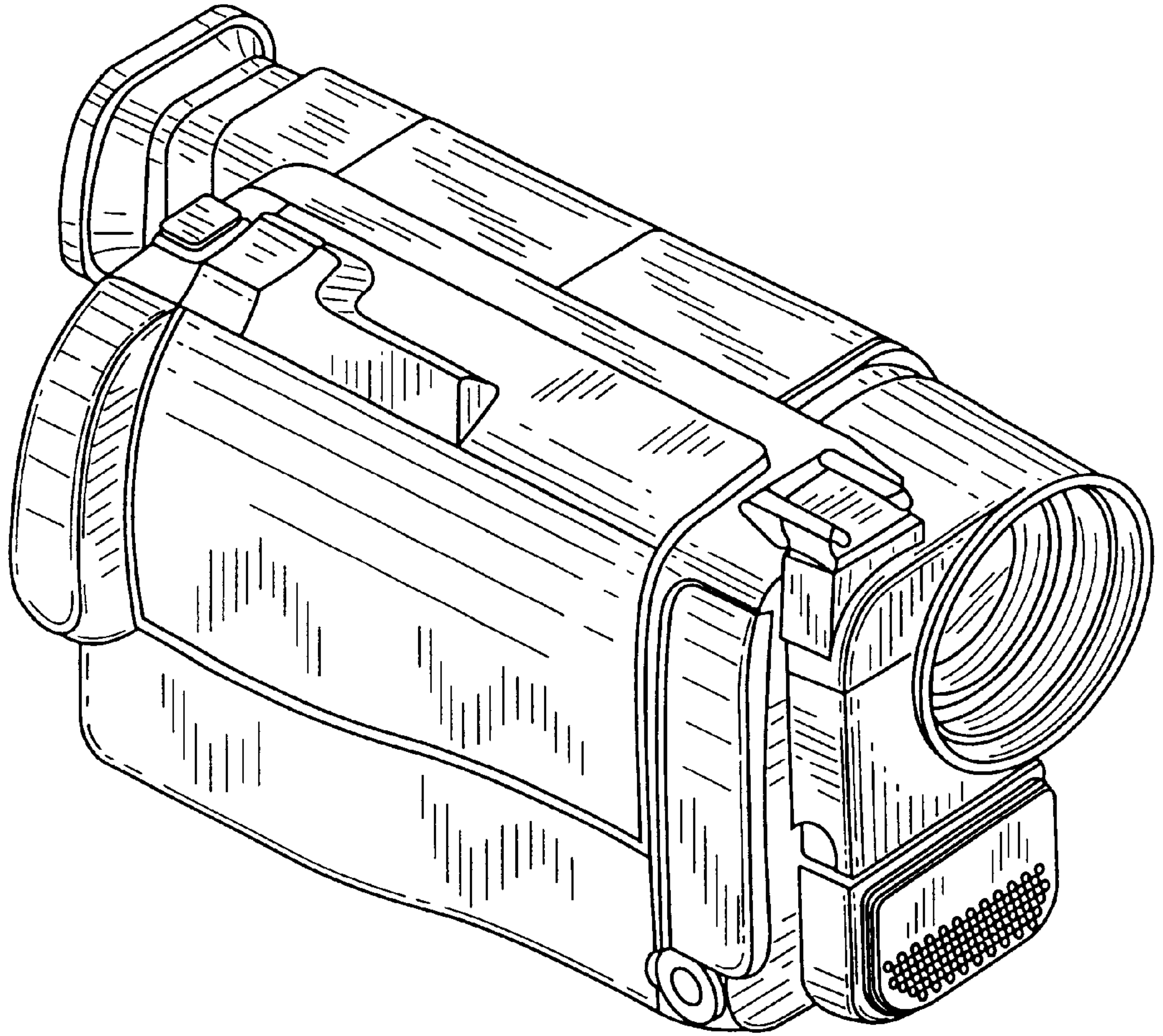


FIG. 1

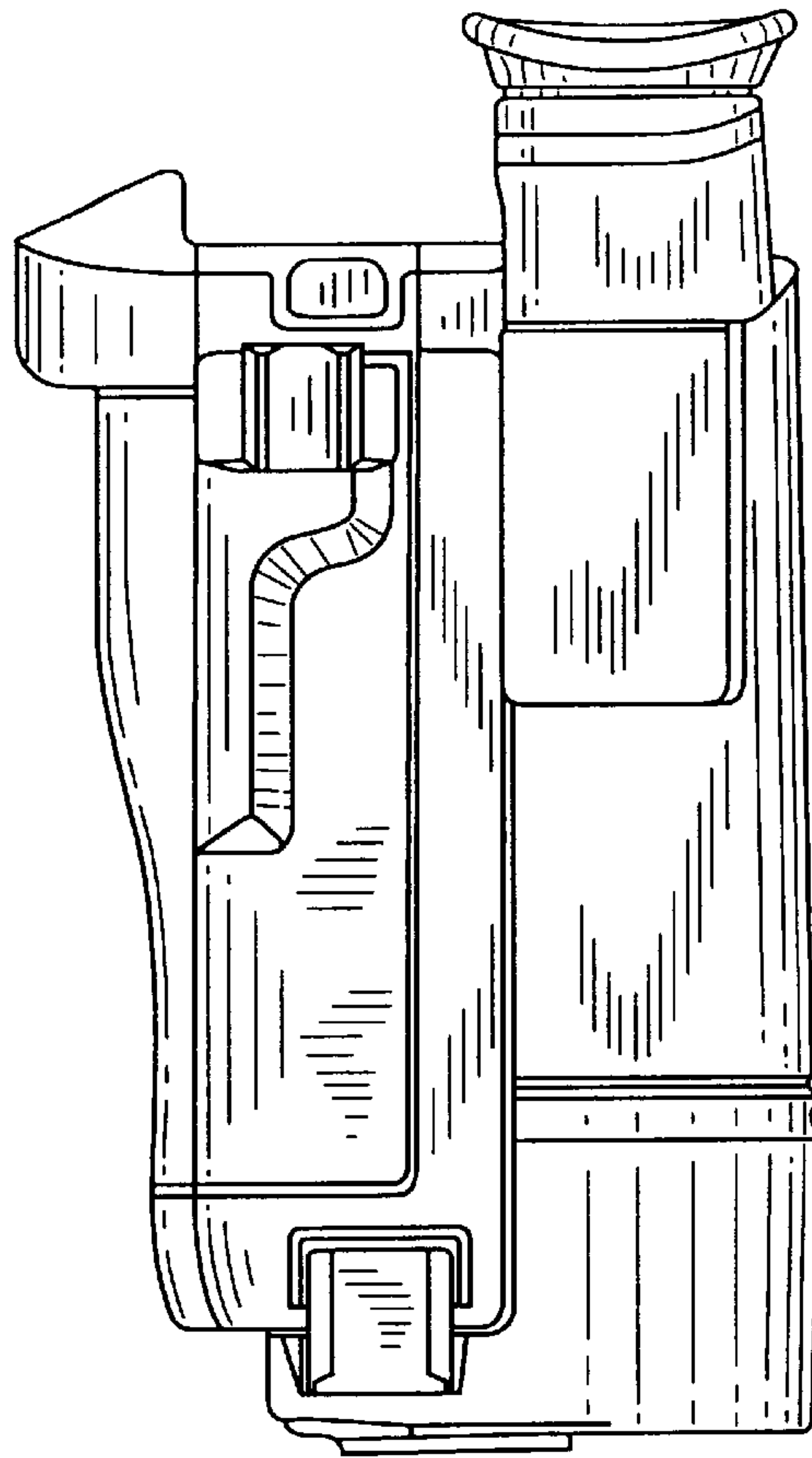


FIG. 2

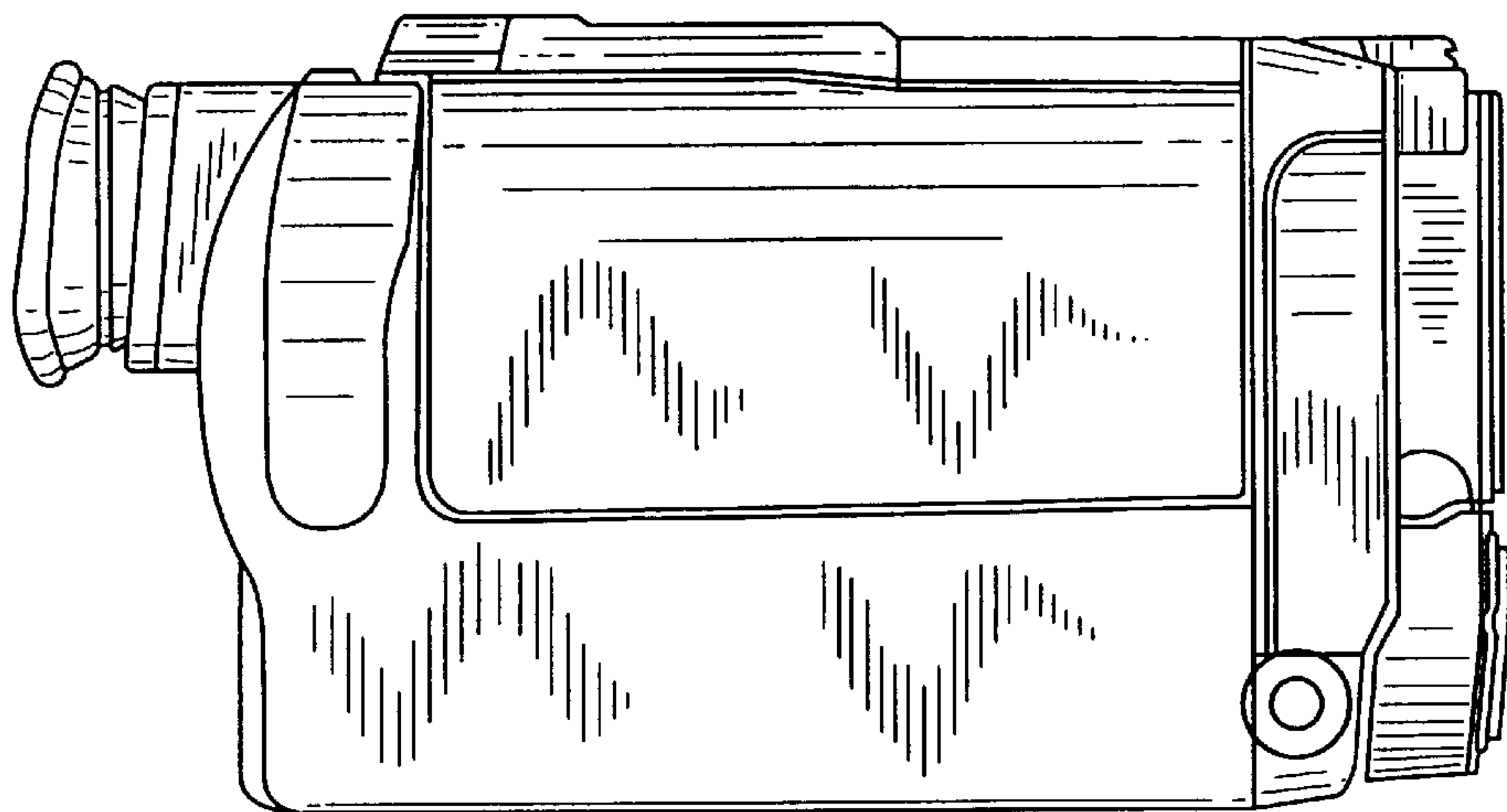


FIG. 3

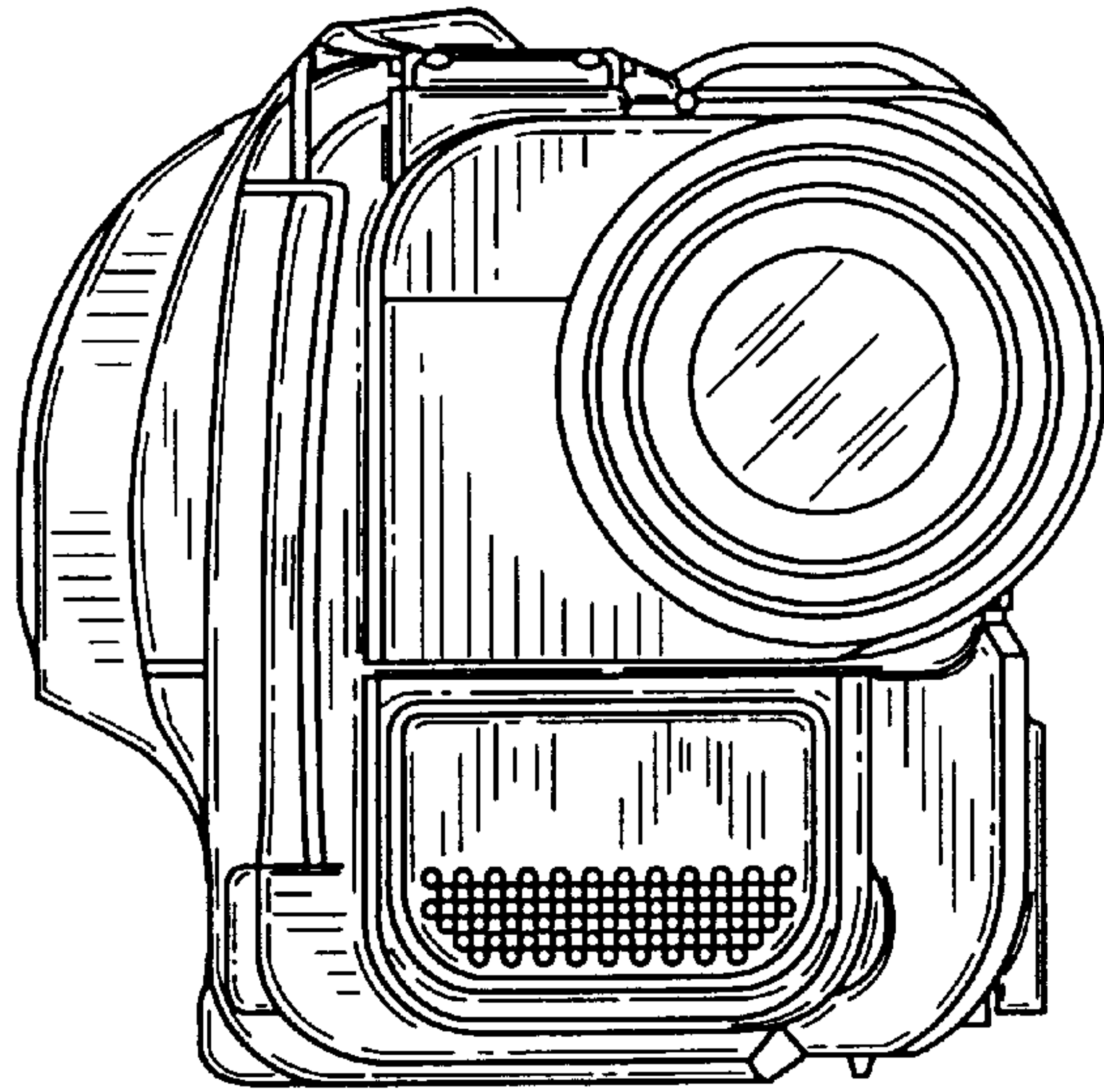


FIG. 4

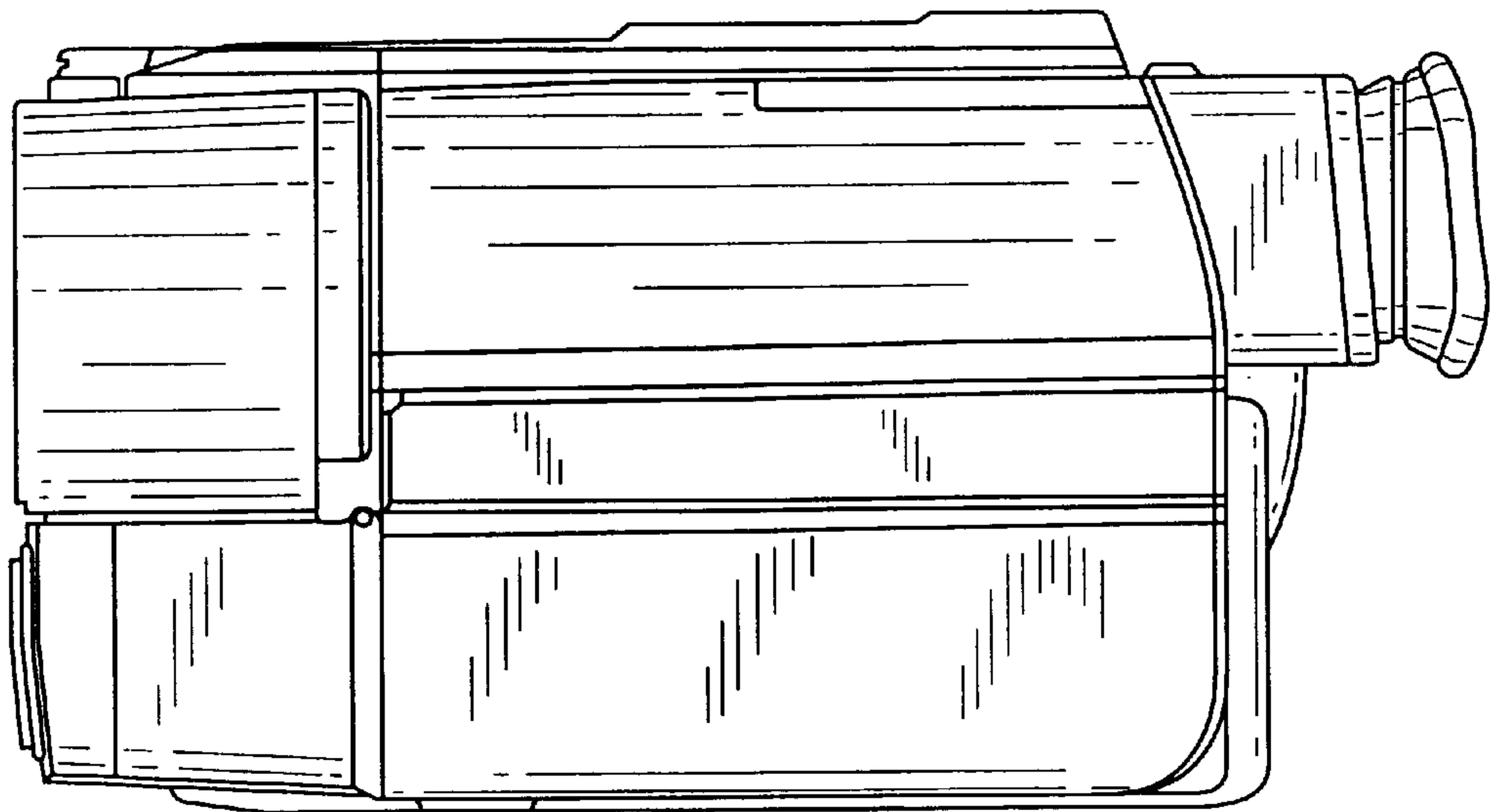


FIG. 5

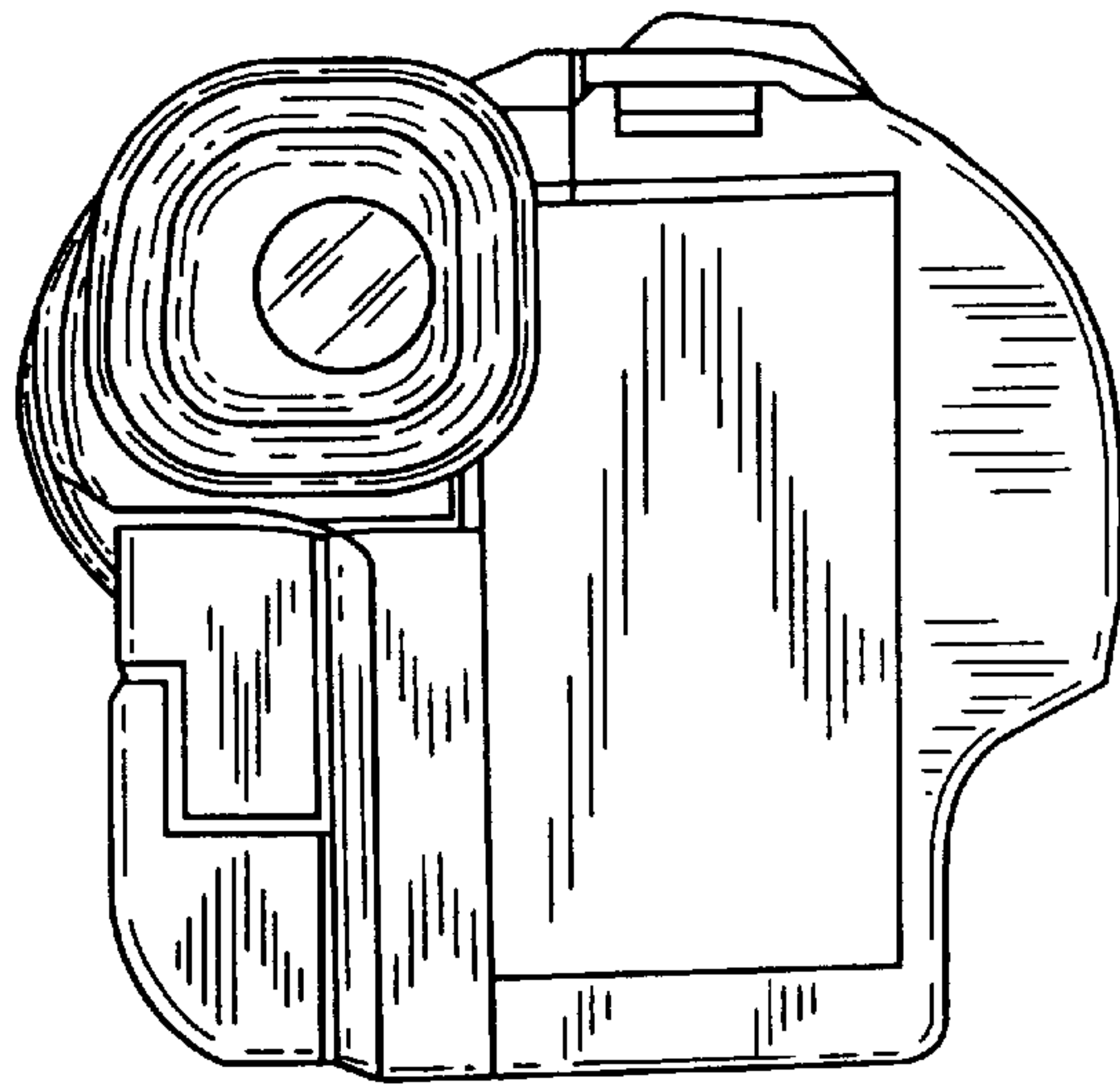


FIG. 6

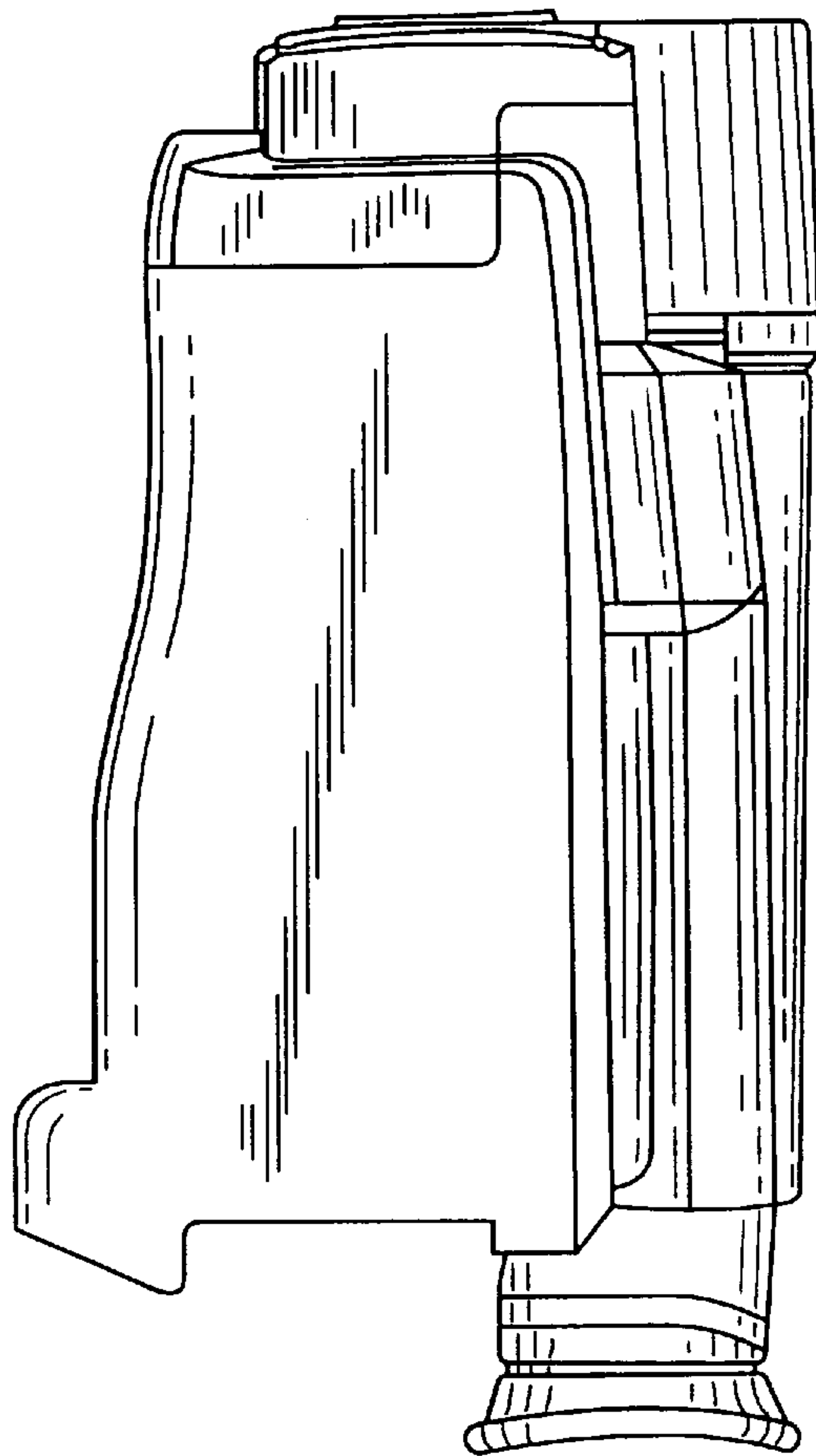


FIG. 7