



US00D414791S

# United States Patent [19]

Kaczmarski et al.

[11] Patent Number: Des. 414,791

[45] Date of Patent: \*\* Oct. 5, 1999

[54] POWER MACHINE ATTACHMENT

[75] Inventors: **Wally L. Kaczmarski**, Lisbon; **Philip D. Bogner**; **Juel M. Bautz**, both of Bismarck, all of N. Dak.

[73] Assignee: **Clark Equipment Company**, Woodcliff Lake, N.J.

[\*\*] Term: **14 Years**

[21] Appl. No.: **29/091,407**

[22] Filed: **Jul. 29, 1998**

[51] LOC (6) Cl. .... **15-09**

[52] U.S. Cl. .... **D15/199**

[58] Field of Search ..... D15/199; 172/2, 172/4.5; 111/101; 37/302

[56] **References Cited**

**U.S. PATENT DOCUMENTS**

3,001,303	9/1961	Frederick	37/94
3,156,231	11/1964	Harding, Jr.	125/5
4,162,102	7/1979	Rooymans	299/10
4,332,422	6/1982	Hilshort	299/39
4,704,045	11/1987	Taylor et al.	404/90
4,755,001	7/1988	Gilbert	299/39
4,878,713	11/1989	Zanetis	299/39
5,129,755	7/1992	Dickson	404/90
5,135,287	8/1992	Karnes	299/39
5,236,278	8/1993	Dickson	404/90

5,378,080	1/1995	Dickson	404/90
5,382,084	1/1995	Diver et al.	299/39
5,713,419	2/1998	Kaczmarski et al.	172/2

**OTHER PUBLICATIONS**

“Planar Attachments”, brochure, Melroe Ingersoll-Rand, Jan. 1997.

*Primary Examiner*—Antoine Duval Davis  
*Attorney, Agent, or Firm*—Westman, Champlin & Kelly, P.A.

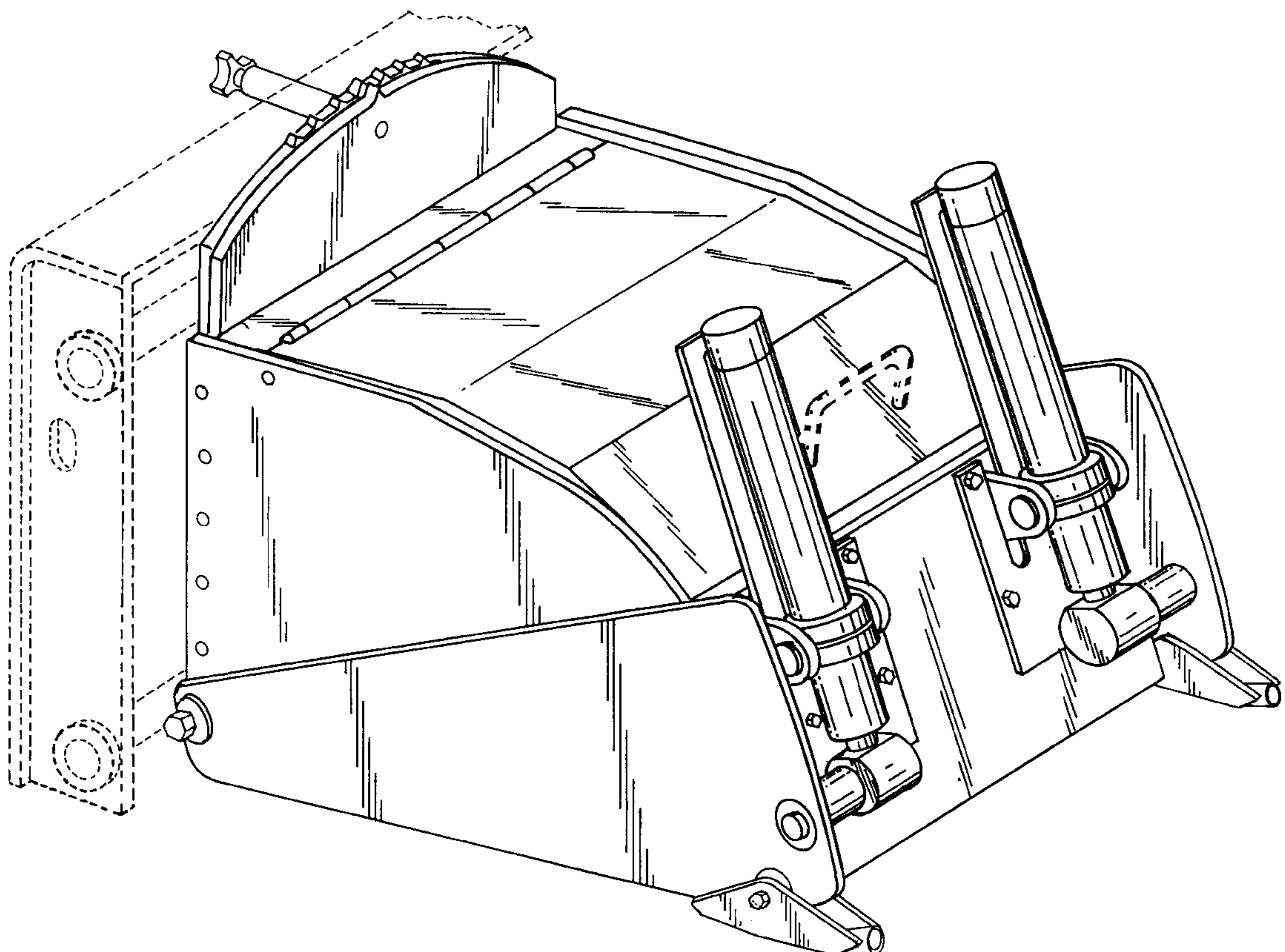
[57] **CLAIM**

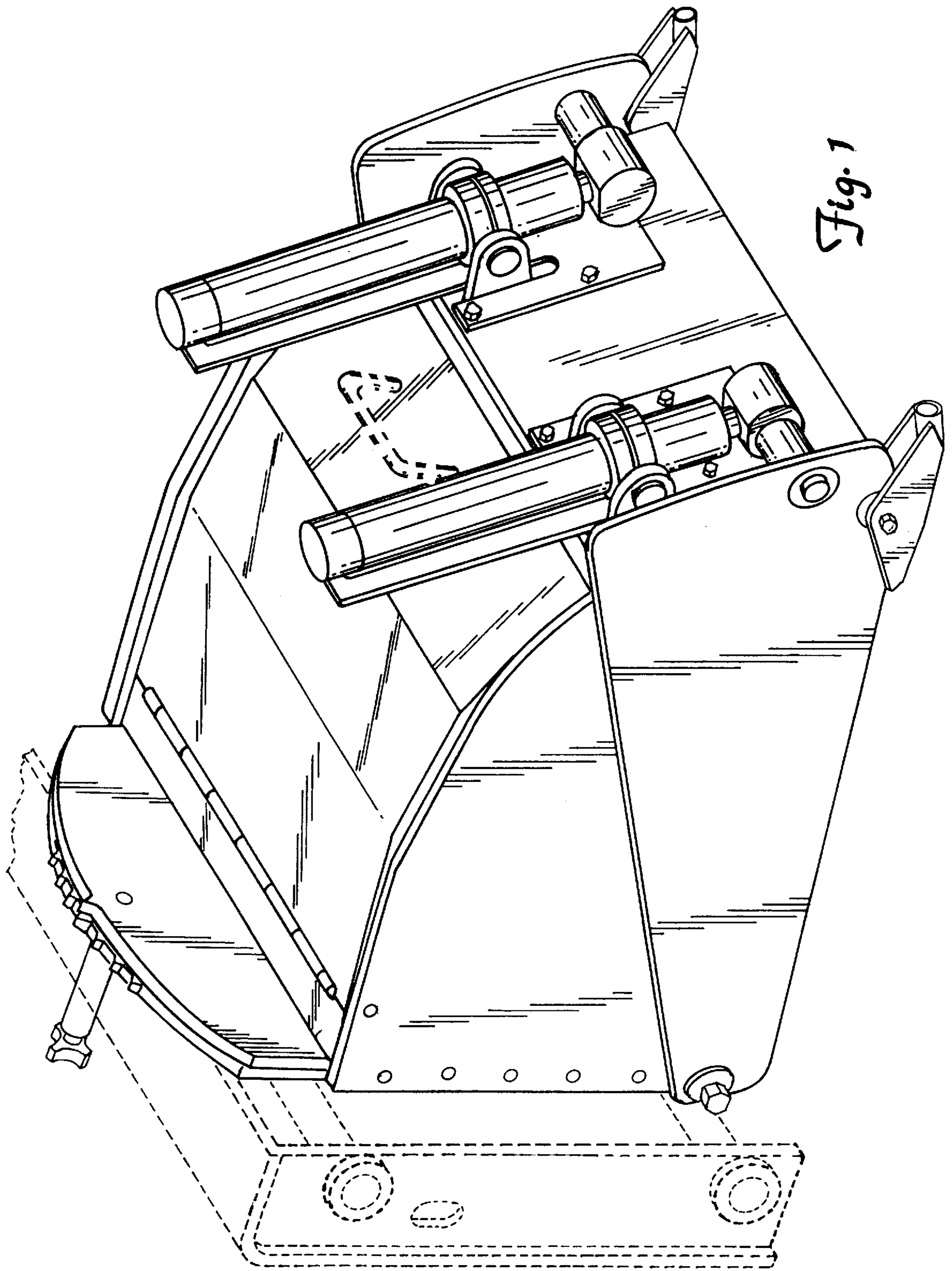
The ornamental design for a power machine attachment, as shown and described.

**DESCRIPTION**

FIG. 1 is a perspective view;  
FIG. 2 is a top plan view;  
FIG. 3 is a front elevational view;  
FIG. 4 is a left side view;  
FIG. 5 is a right side view;  
FIG. 6 is a rear elevational side view;  
FIG. 7 is a bottom plan view;  
FIG. 8 is a perspective view of a second embodiment of the invention;  
FIG. 9 is a top plan view of the second embodiment; and,  
FIG. 10 is a front elevational view of the second embodiment.

**1 Claim, 9 Drawing Sheets**





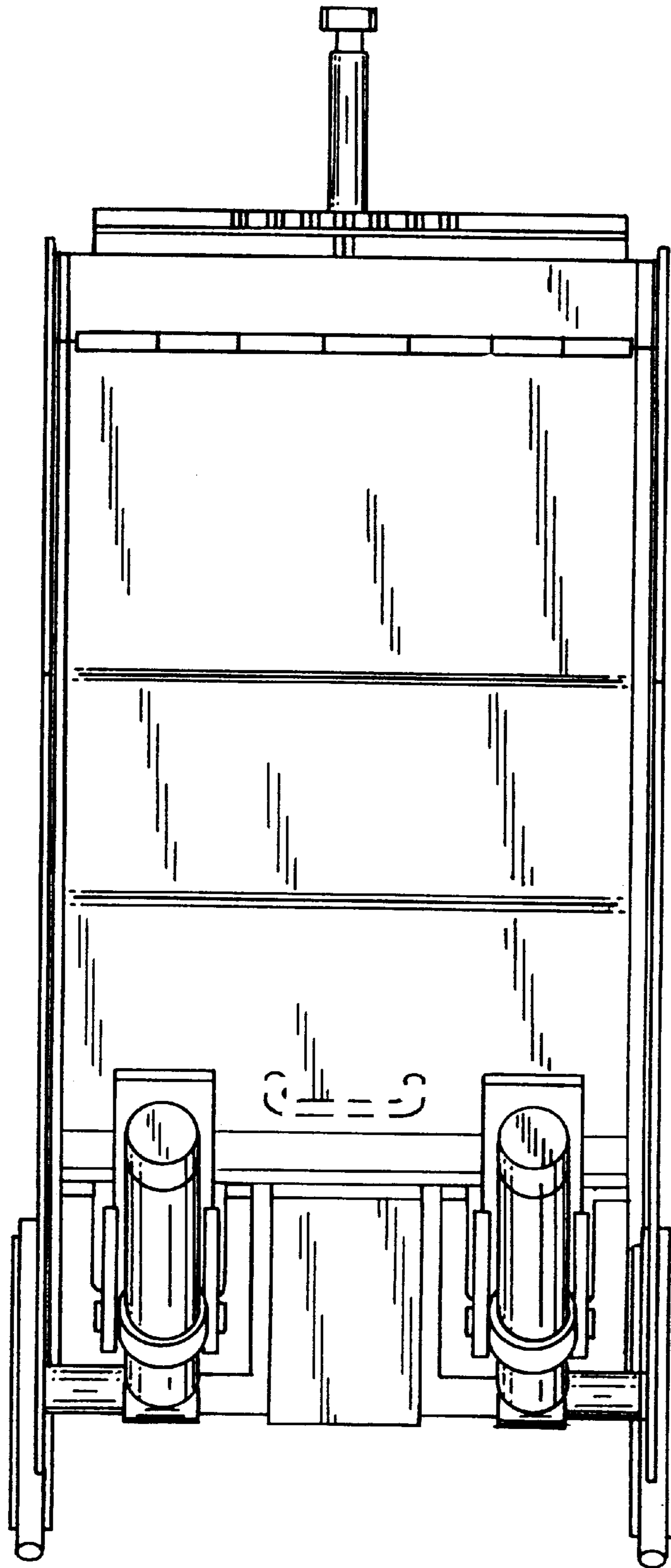
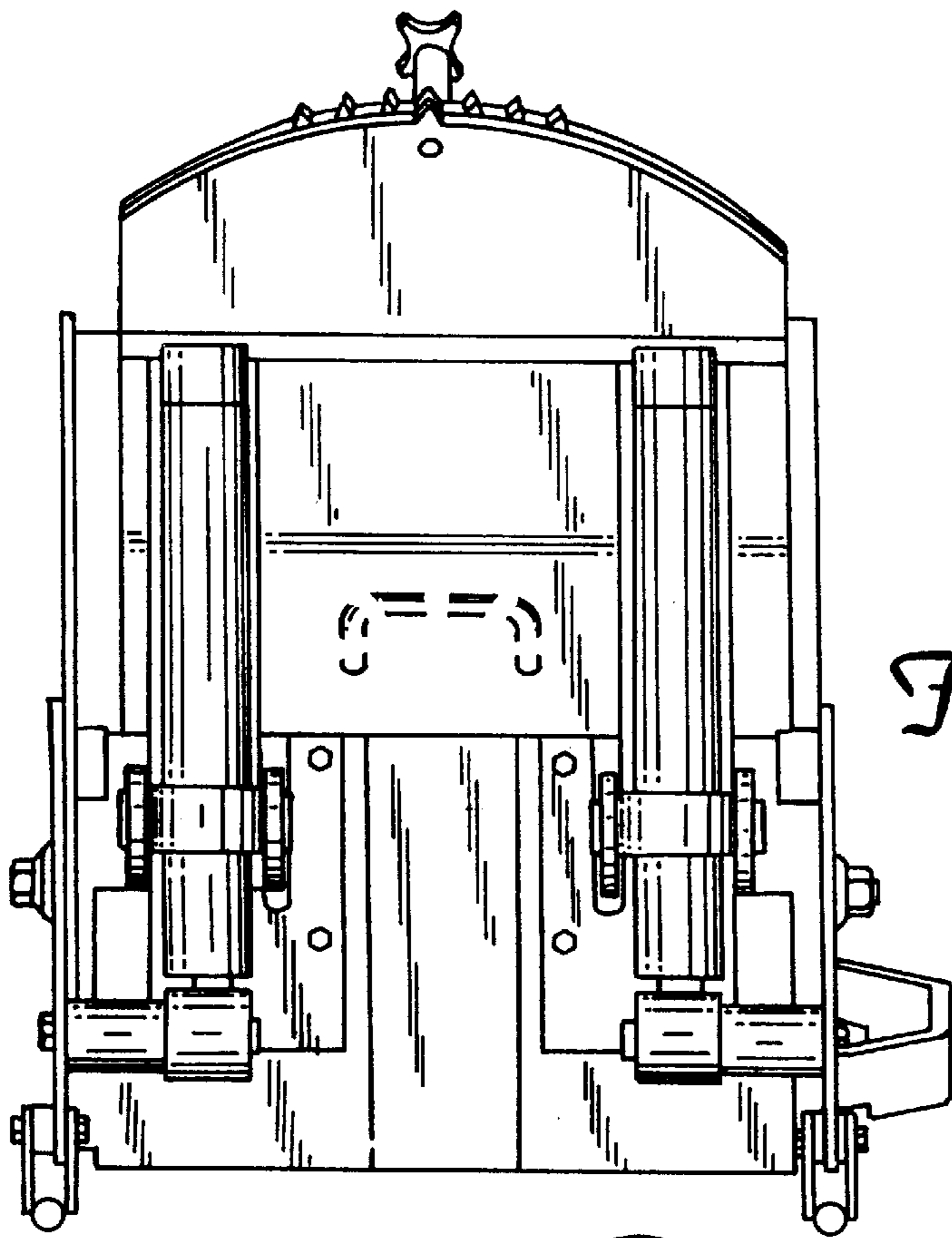
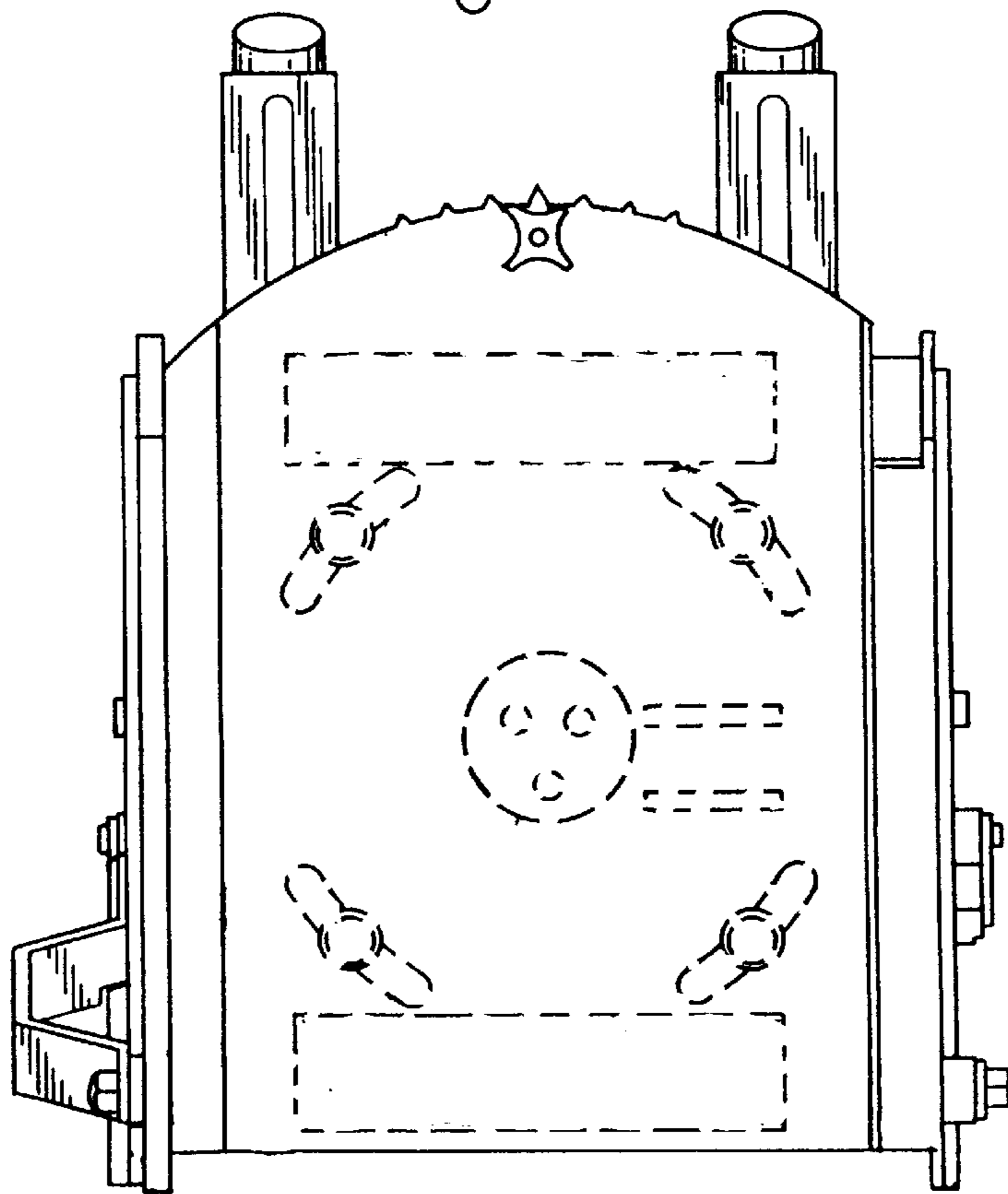


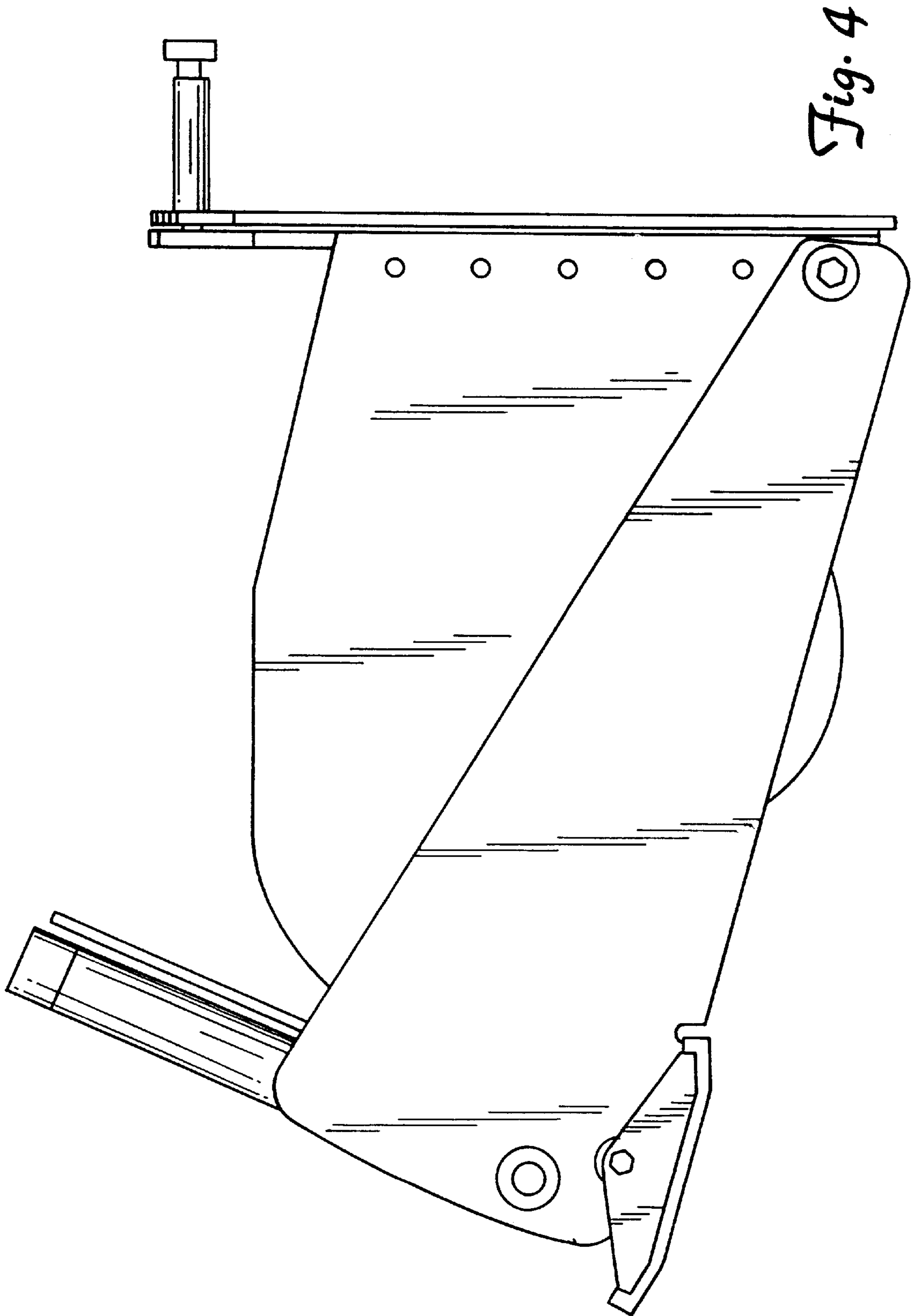
Fig. 2



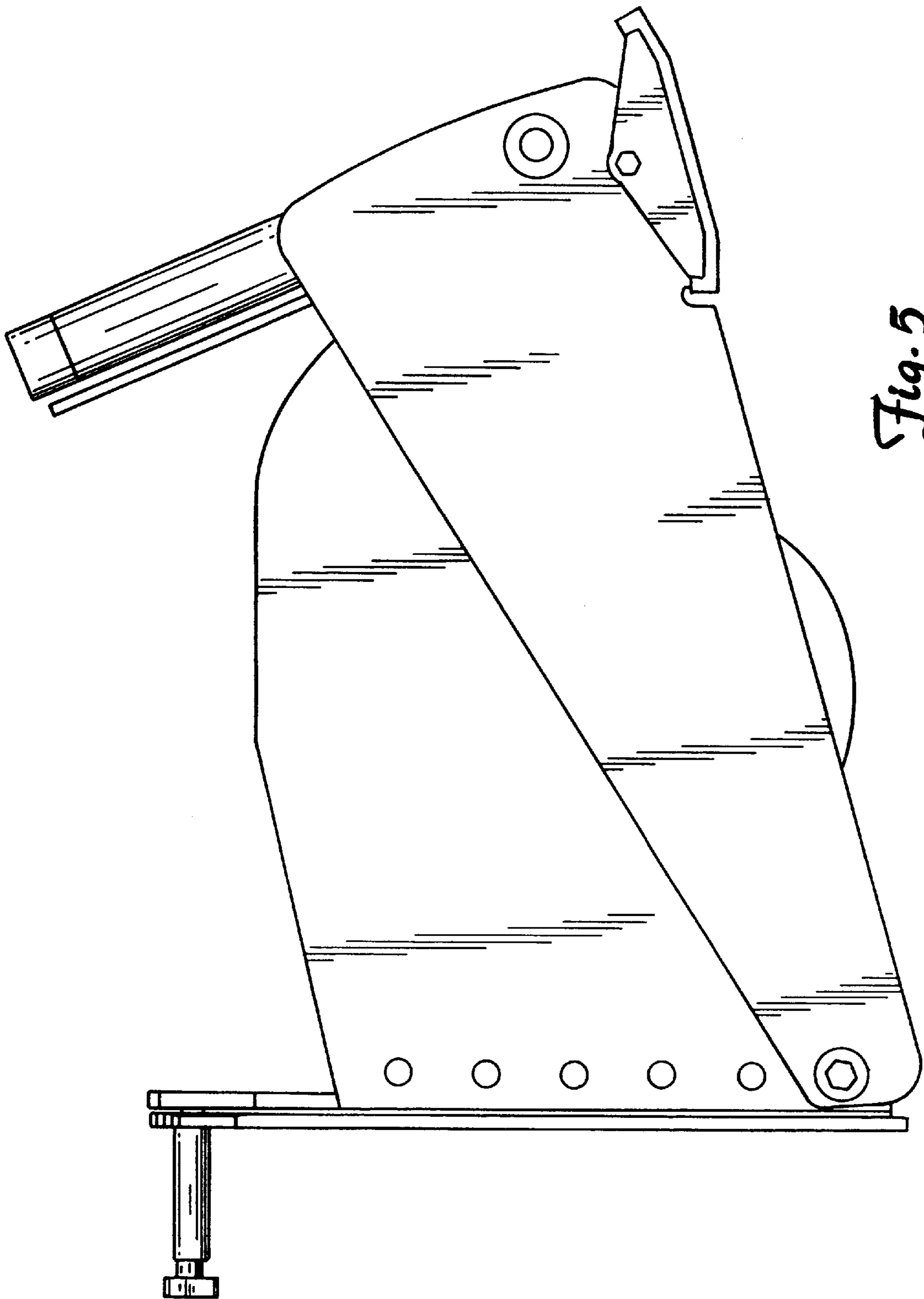
*Fig. 3*



*Fig. 6*



*Fig. 4*



*Fig. 5*

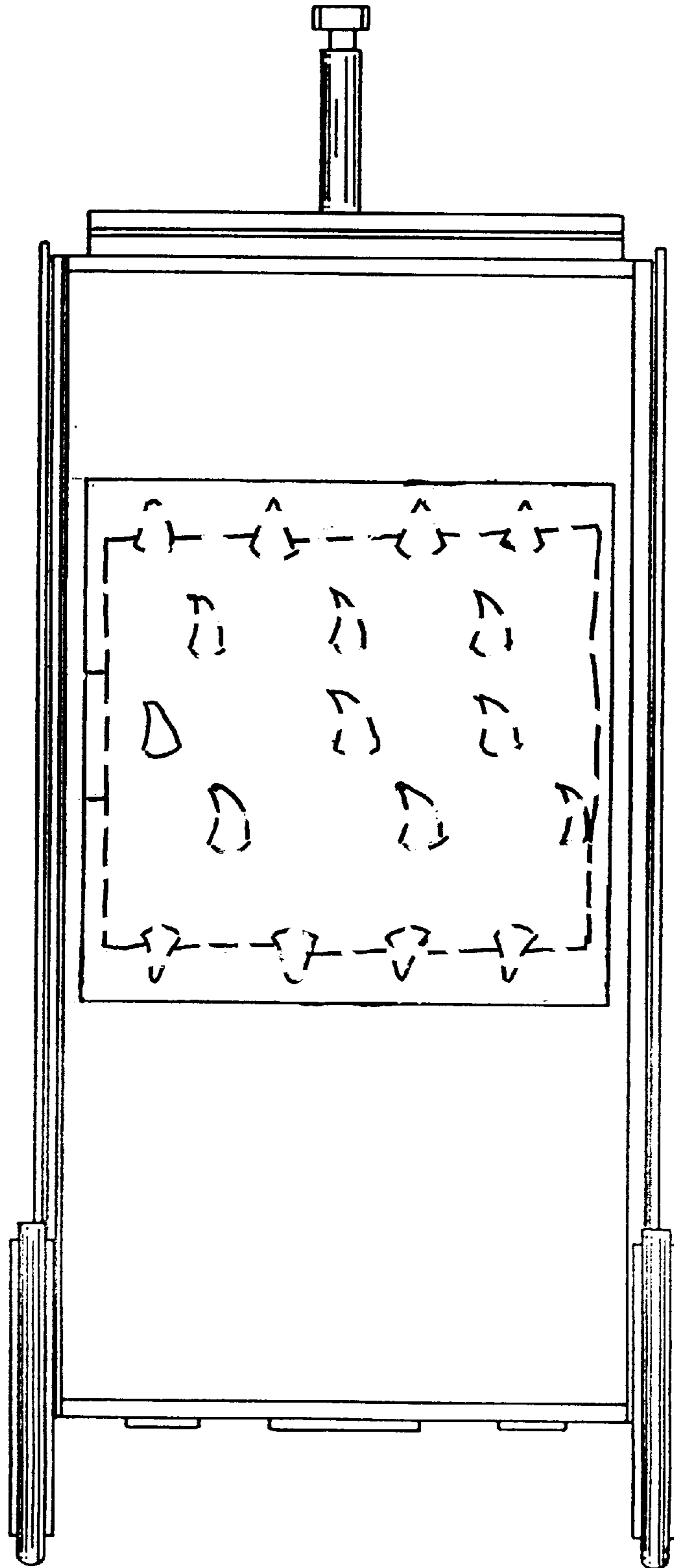
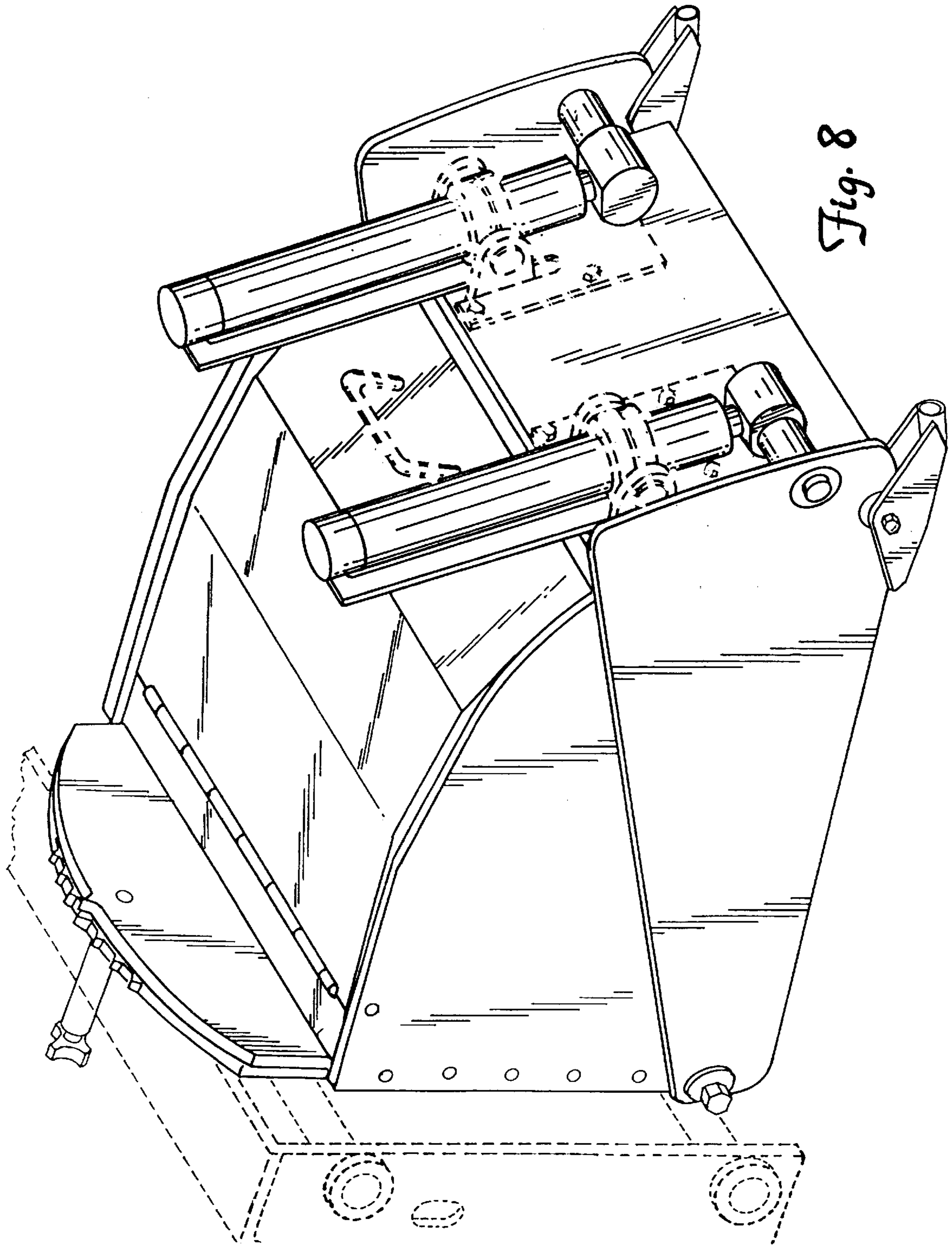


Fig. 7





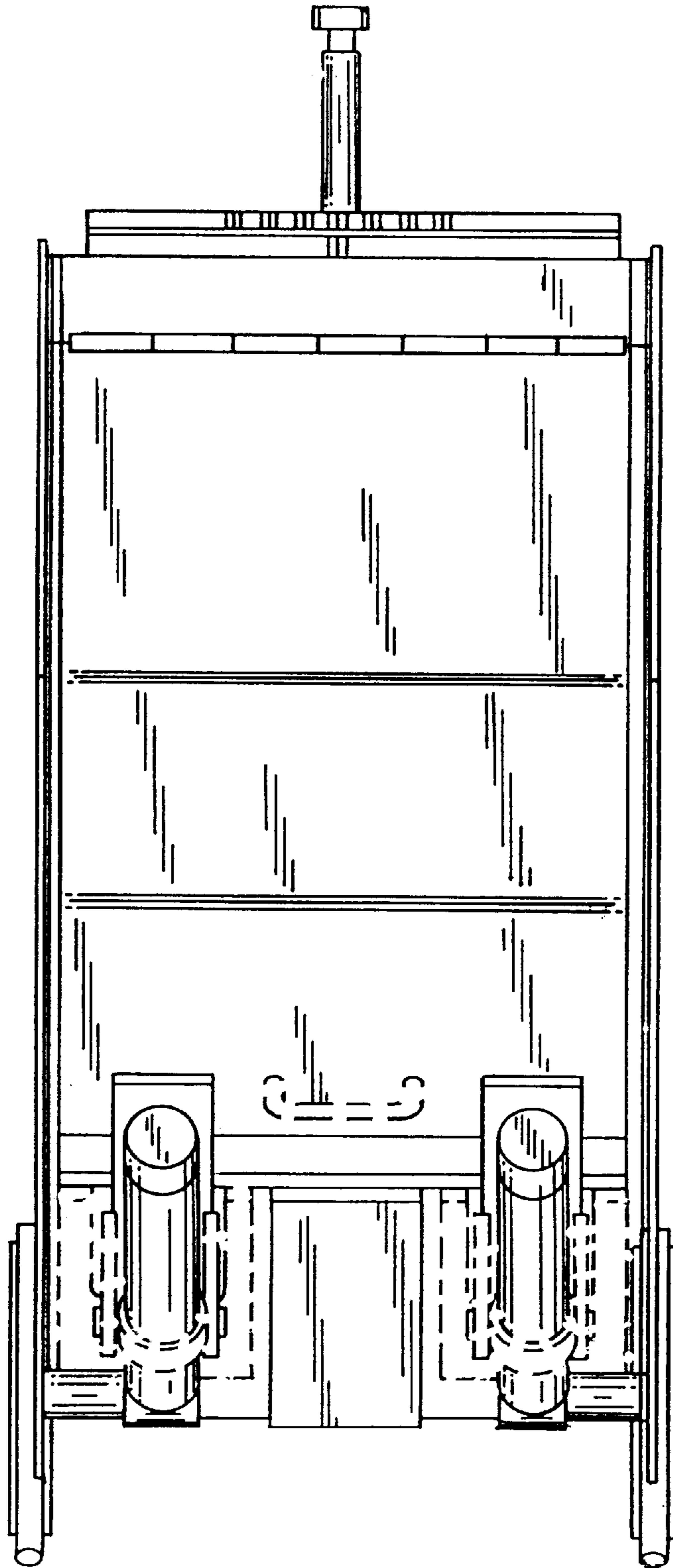
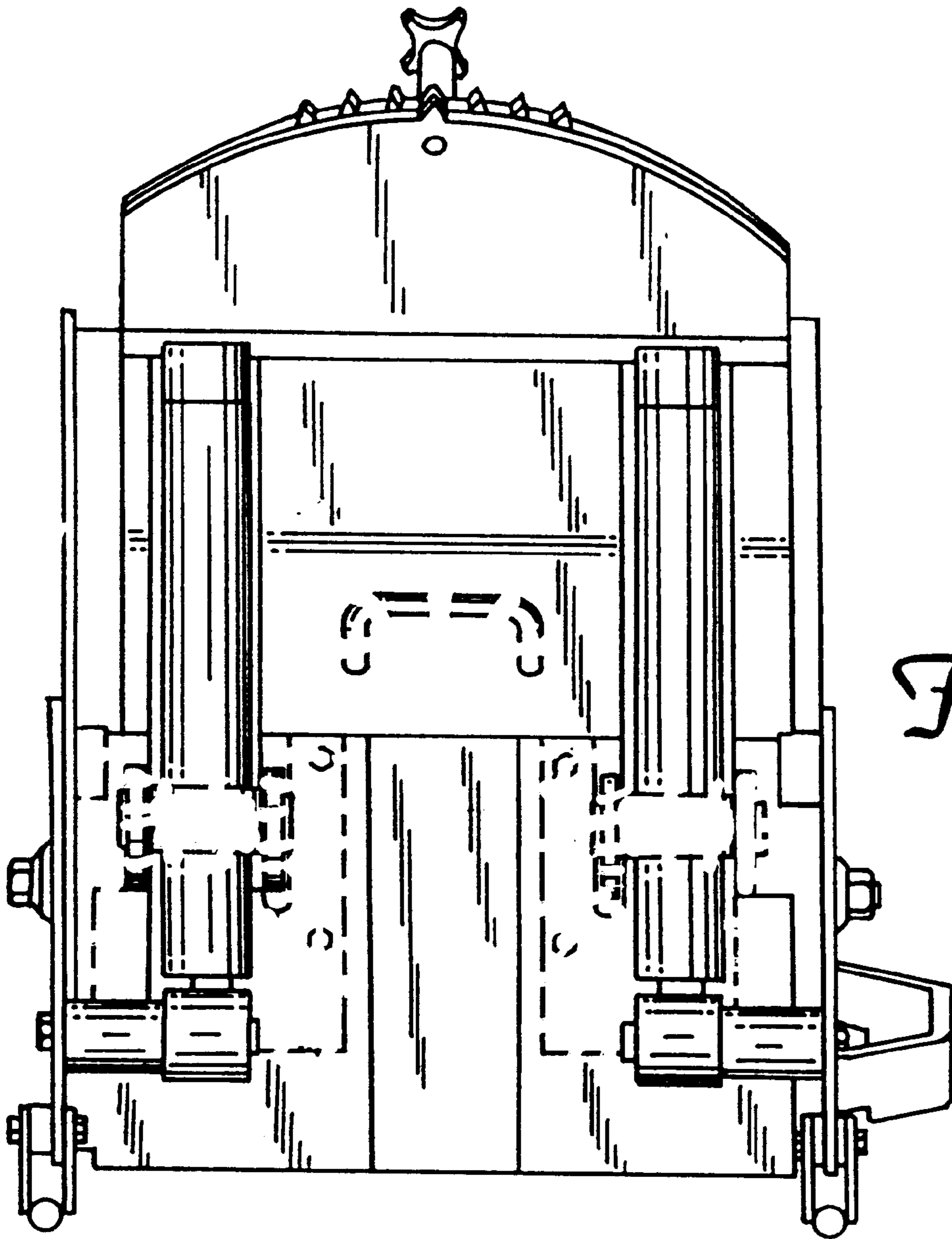


Fig. 9



*Fig. 10*