



US00D414789S

United States Patent [19]

Rogers et al.

[11] Patent Number: **Des. 414,789**

[45] Date of Patent: **** Oct. 5, 1999**

[54] **HYDROCYCLONE FEED ASSEMBLY COVER**

4,652,363 3/1987 Miller 209/734
5,383,941 1/1995 Nemedi 210/787 X

[75] Inventors: **Brian Leslie Rogers**, Woronora Heights; **Michael Arthur West**, Frenchs Forest, both of Australia

Primary Examiner—Antoine Duval Davis
Attorney, Agent, or Firm—Cesari and McKenna, LLP

[73] Assignee: **Warman International Limited**, Australia

[57] CLAIM

[**] Term: **14 Years**

The ornamental design for a hydrocyclone feed assembly cover, as shown.

[21] Appl. No.: **29/091,726**

DESCRIPTION

[22] Filed: **Aug. 5, 1998**

[51] **LOC (6) Cl.** **15-09**

[52] **U.S. Cl.** **D15/147**

[58] **Field of Search** D15/147; 209/732, 209/11, 721, 728, 734; 210/512.1, 512.2, 175, 787

FIG. 1 is a perspective view from above of a hydrocyclone feed assembly cover showing the new design; FIGS. 2 and 3 are a perspective views from below thereof; FIG. 4 is a top plan view thereof; FIG. 5 is a bottom plan view thereof; FIG. 6 is an elevational view of a first side thereof; FIG. 7 is an elevational view of a second side thereof; FIG. 8 is an elevational view of a third side thereof; and, FIG. 9 is an elevational view of a fourth side thereof.

[56] References Cited

U.S. PATENT DOCUMENTS

3,335,860 8/1967 Baxter, Jr. 209/734

1 Claim, 3 Drawing Sheets

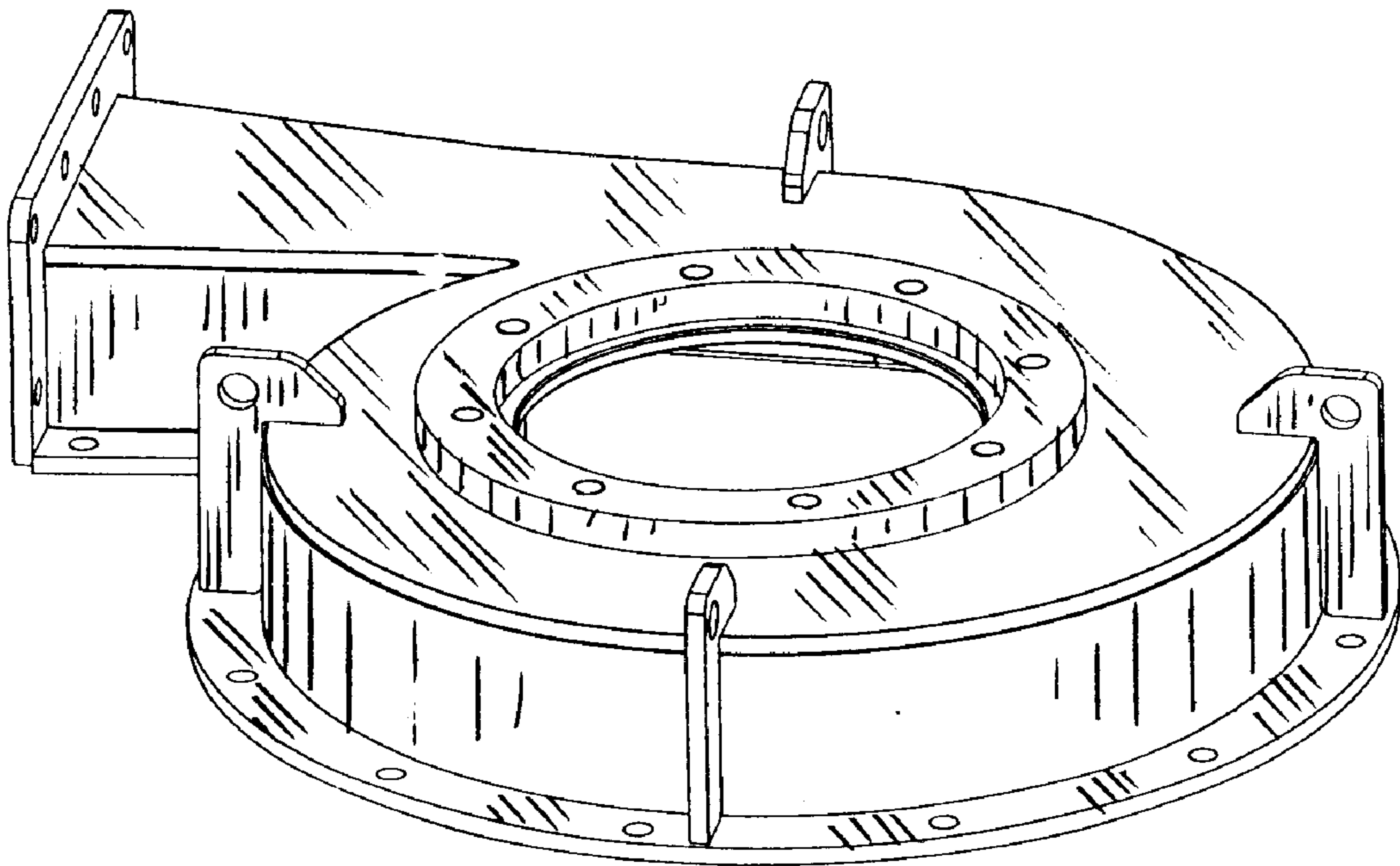


FIG. 1

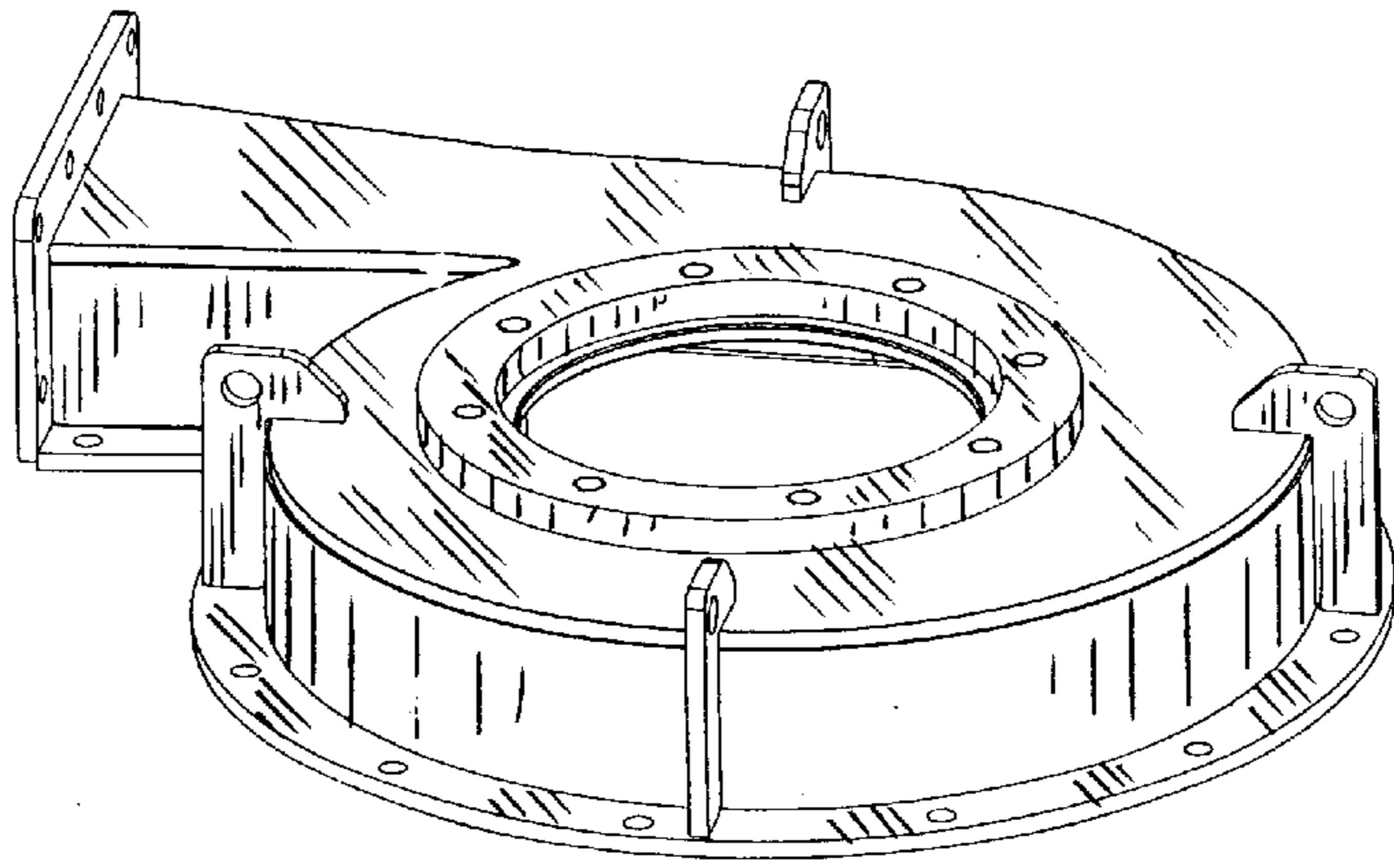


FIG. 2

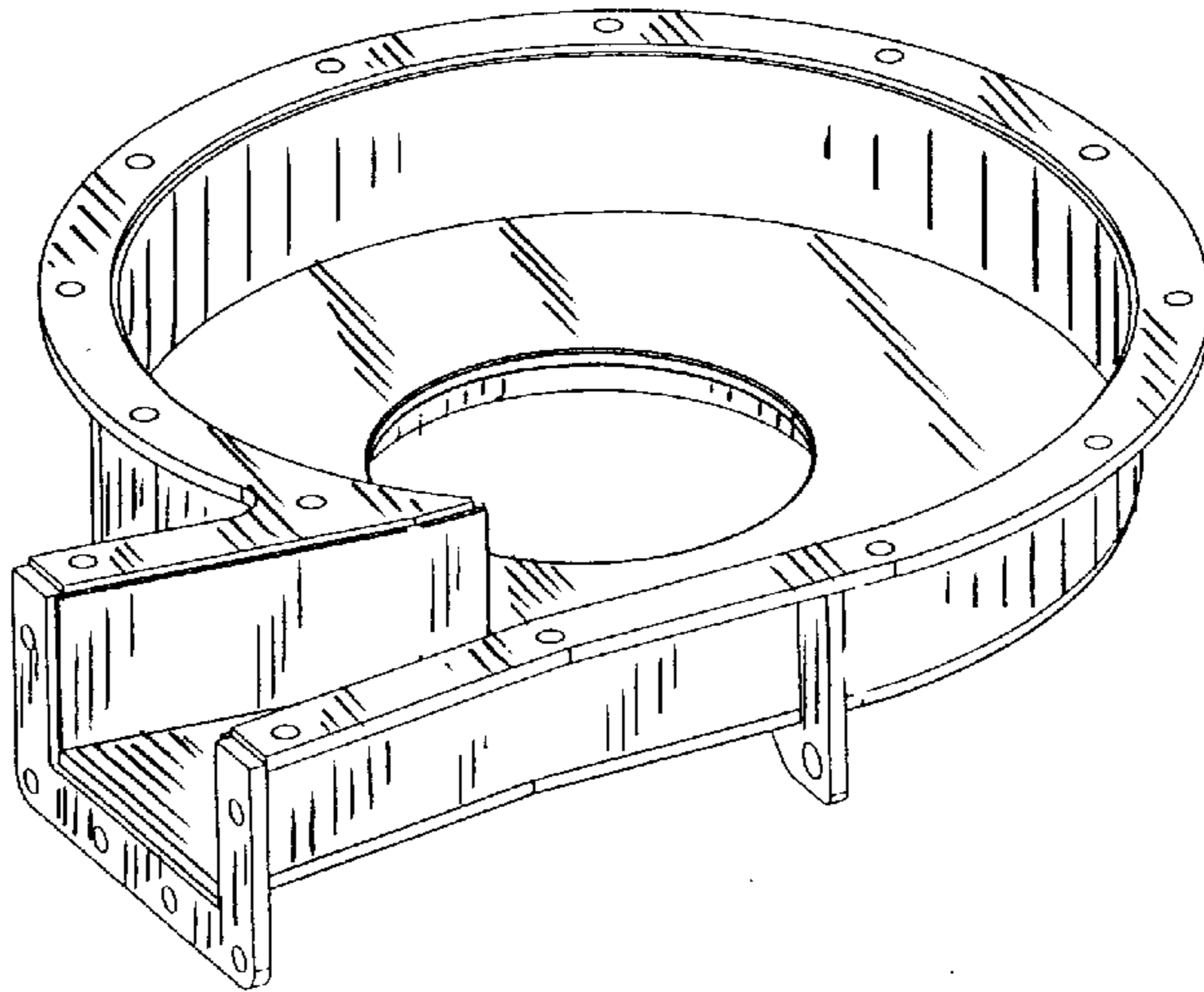
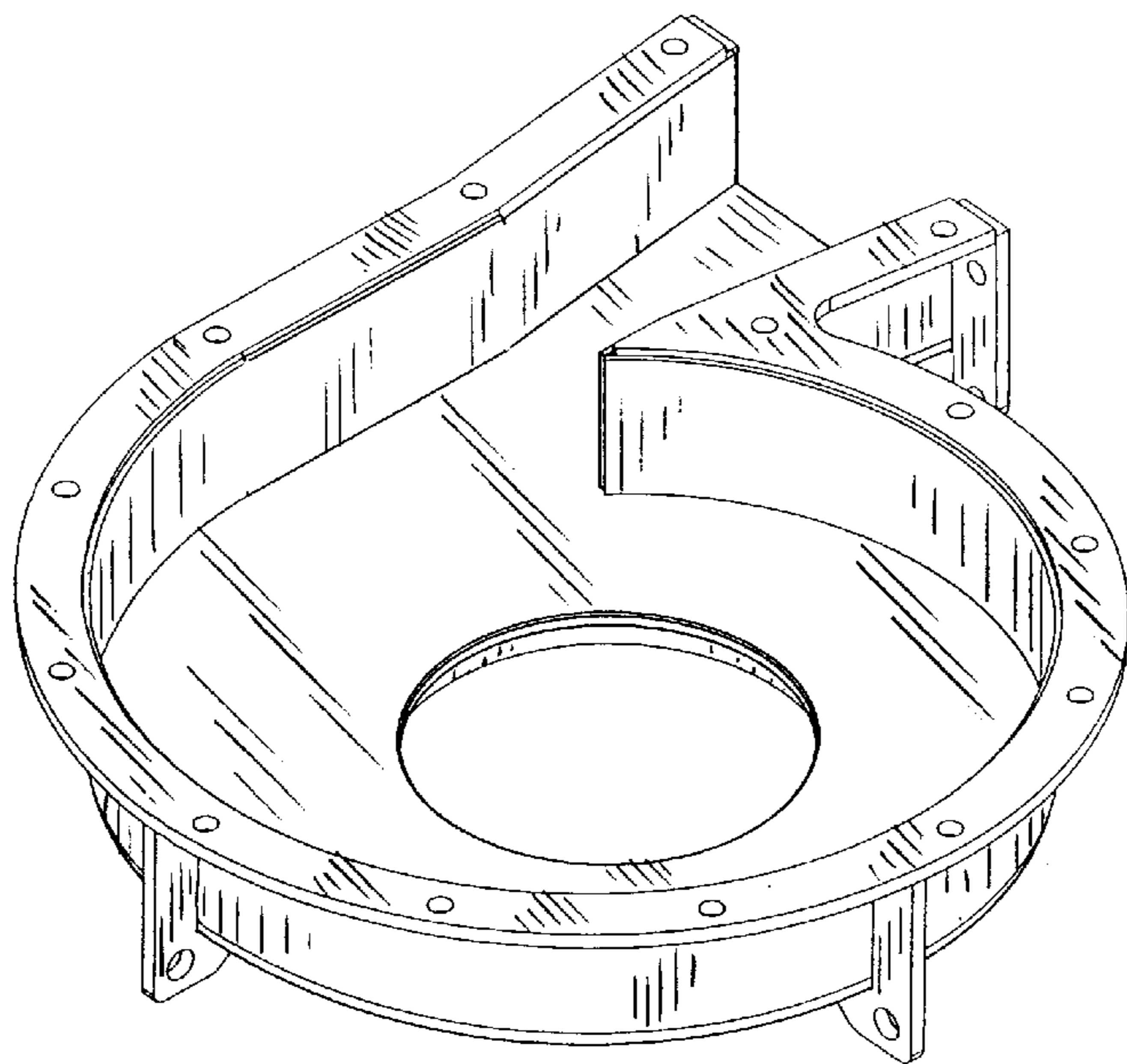


FIG. 3



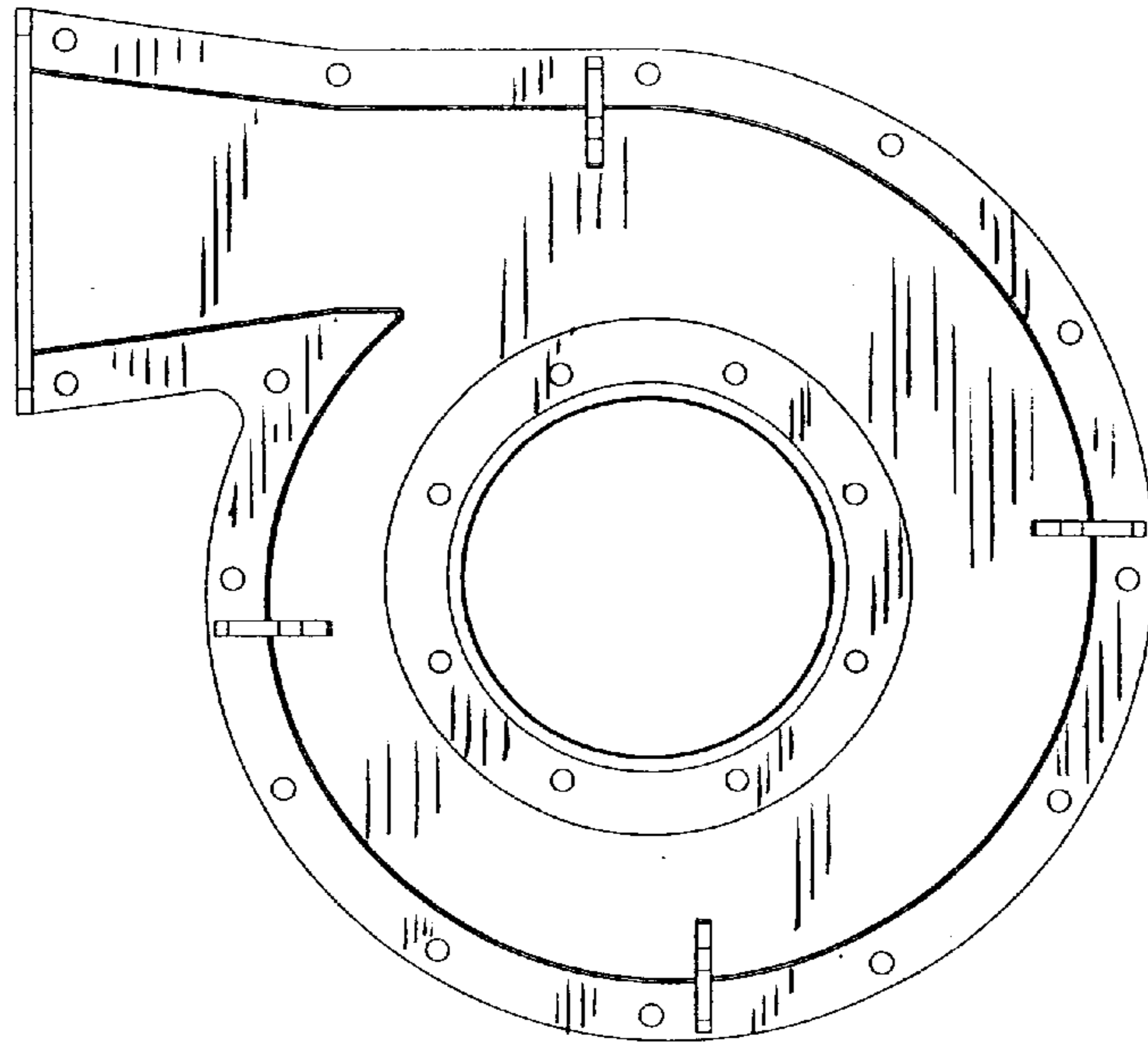


FIG. 4

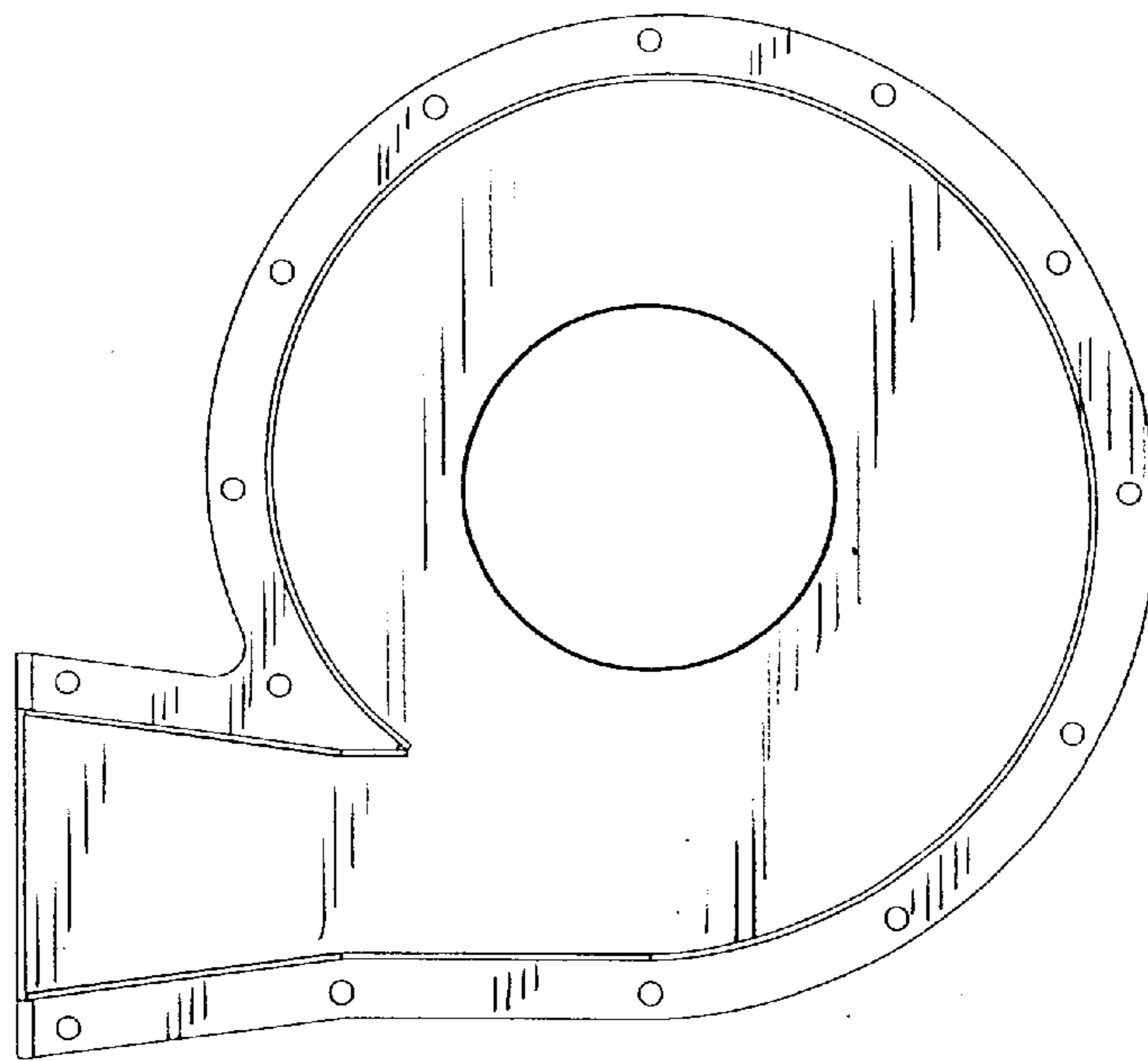


FIG. 5

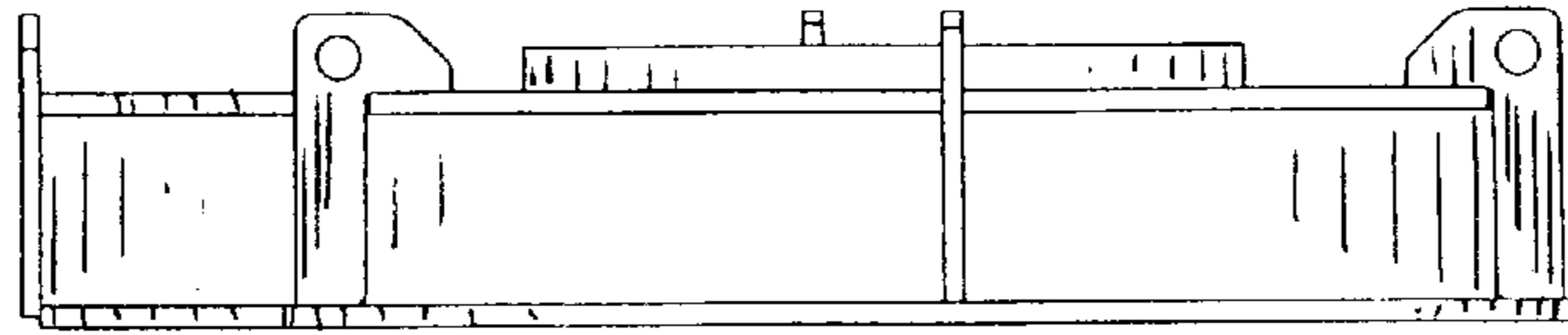


FIG. 6

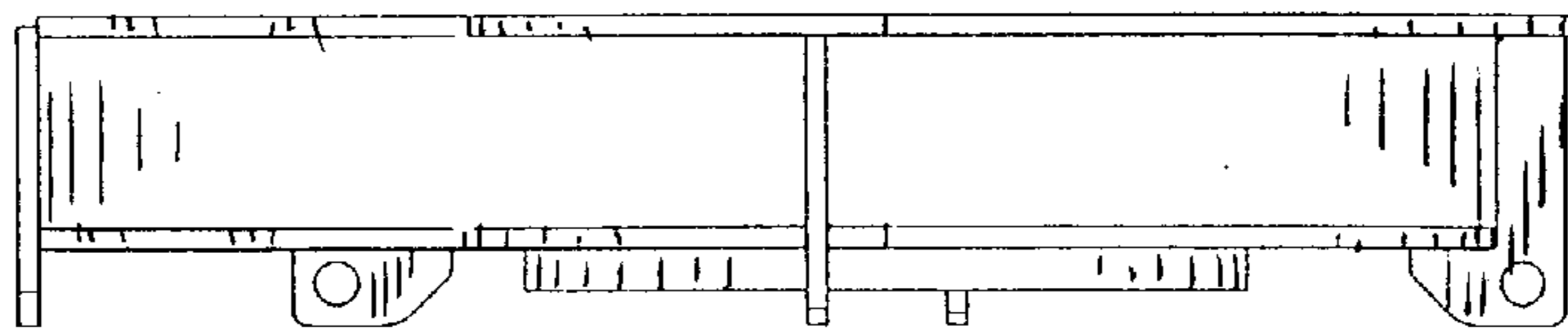


FIG. 7

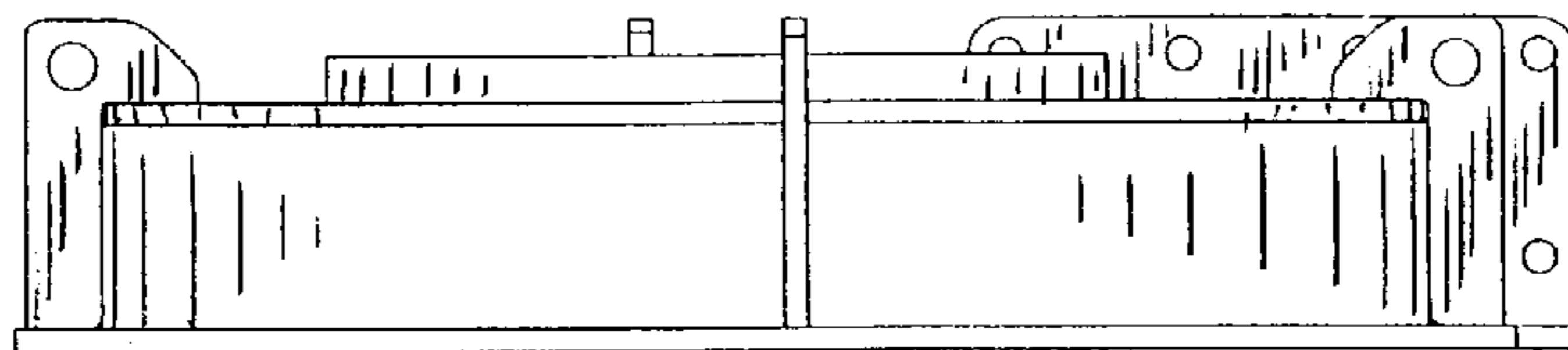


FIG. 8

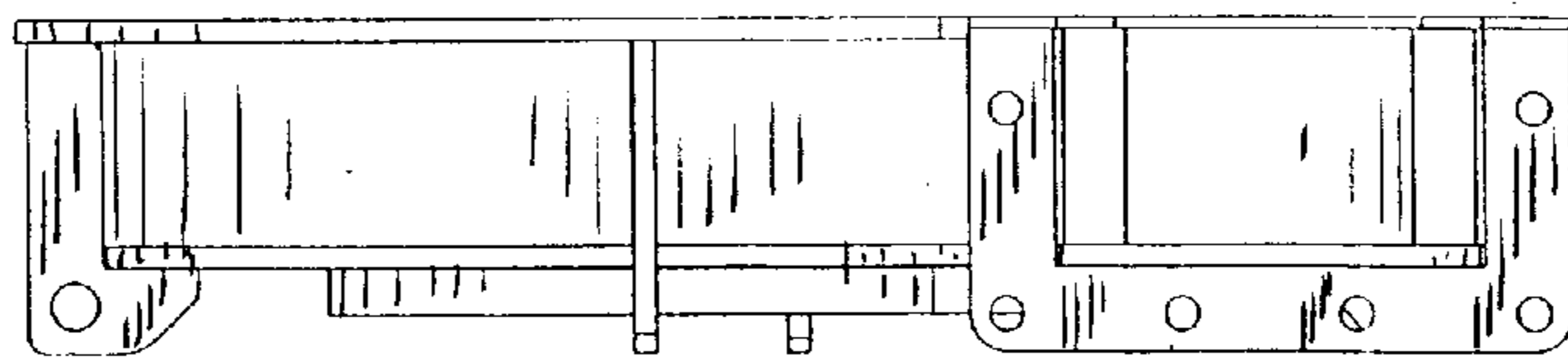


FIG. 9