



US00D414787S

United States Patent [19]
Lin

[11] **Patent Number: Des. 414,787**

[45] **Date of Patent: ** Oct. 5, 1999**

[54] **METAL CUTTING BAND-SAW**

[76] Inventor: **Kuo-Chuan Lin**, P.O. Box 63-247, No. 1008, Hou Tswang Road, Pei Tun District, Taichung, Taiwan

[**] Term: **14 Years**

[21] Appl. No.: **29/094,636**

[22] Filed: **Oct. 3, 1998**

[51] **LOC (6) Cl.** **15-09**

[52] **U.S. Cl.** **D15/134**

[58] **Field of Search** **D15/134; 83/814-819**

[56] **References Cited**

U.S. PATENT DOCUMENTS

D. 400,216 10/1998 Lin D15/134

Primary Examiner—Antoine Duval Davis
Attorney, Agent, or Firm—Charles E. Baxley, Esq.

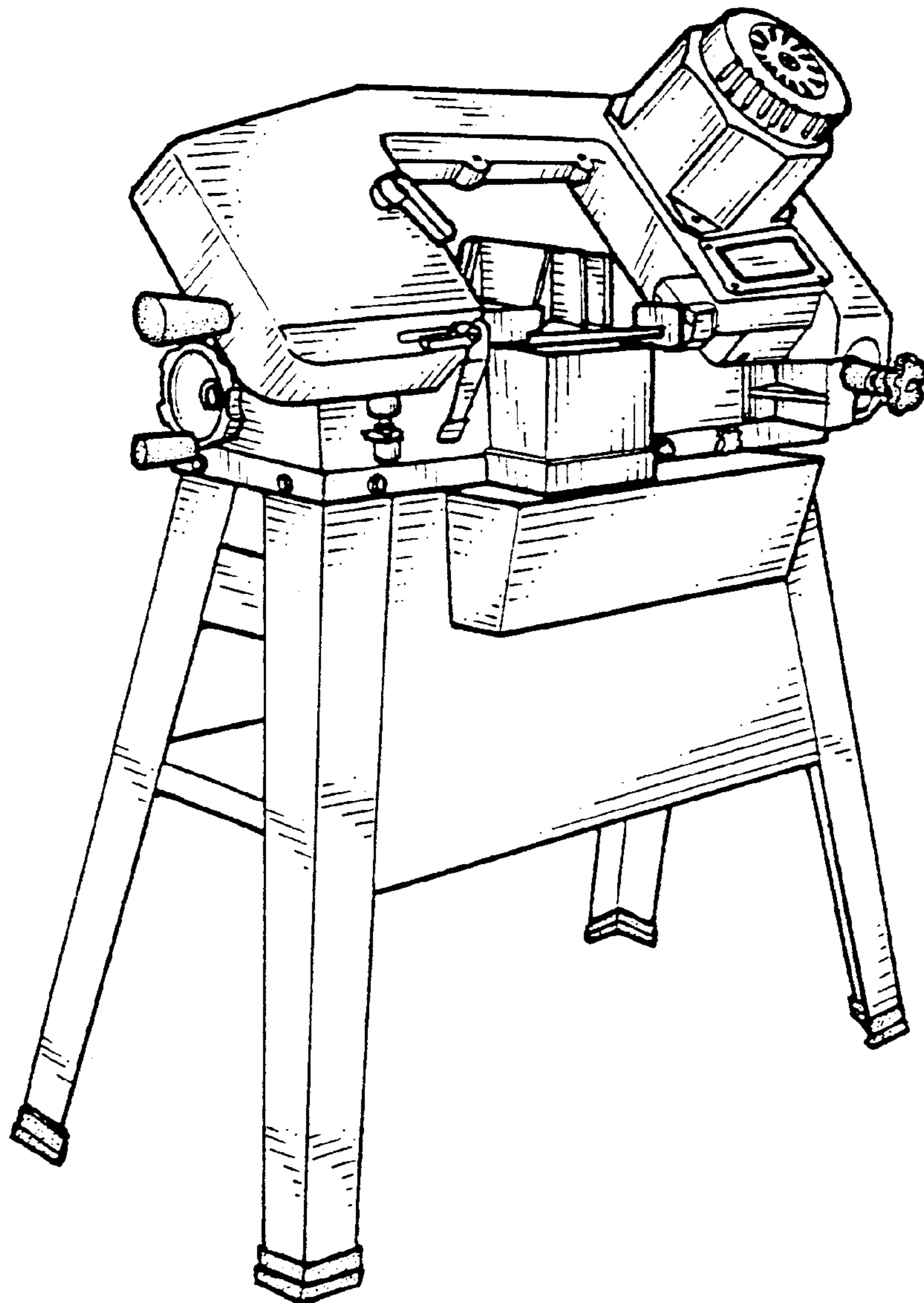
[57] **CLAIM**

The ornamental design for a metal cutting band-saw, as shown and described.

DESCRIPTION

FIG. 1 is a perspective view of a metal cutting band-saw, showing my new design;
FIG. 2 is a front elevational view thereof;
FIG. 3 is a rear elevational view thereof;
FIG. 4 is a left side view thereof;
FIG. 5 is a right side view thereof;
FIG. 6 is a top plan view thereof; and,
FIG. 7 is a bottom plan view thereof.

1 Claim, 7 Drawing Sheets



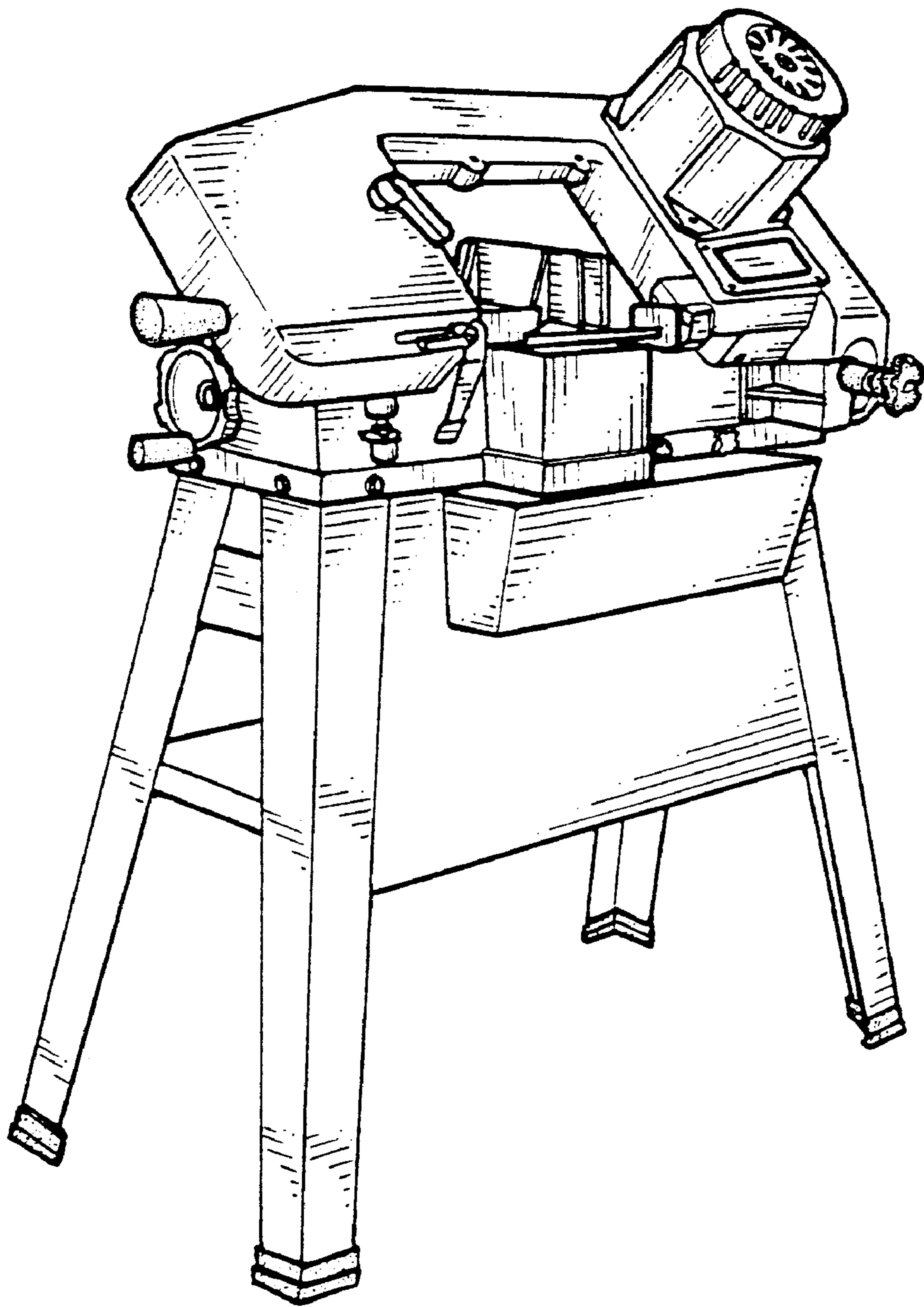


Fig 1

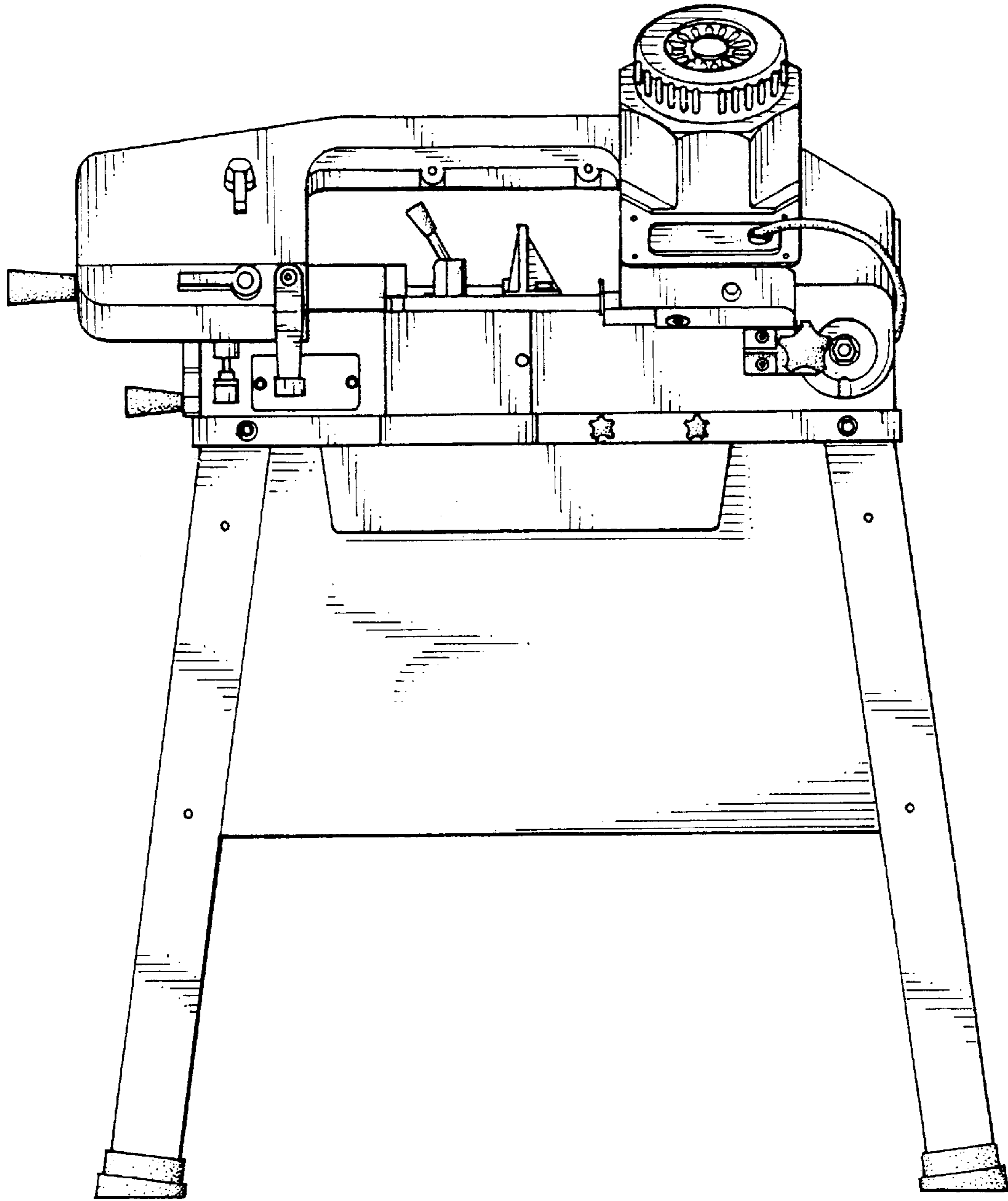


Fig 2

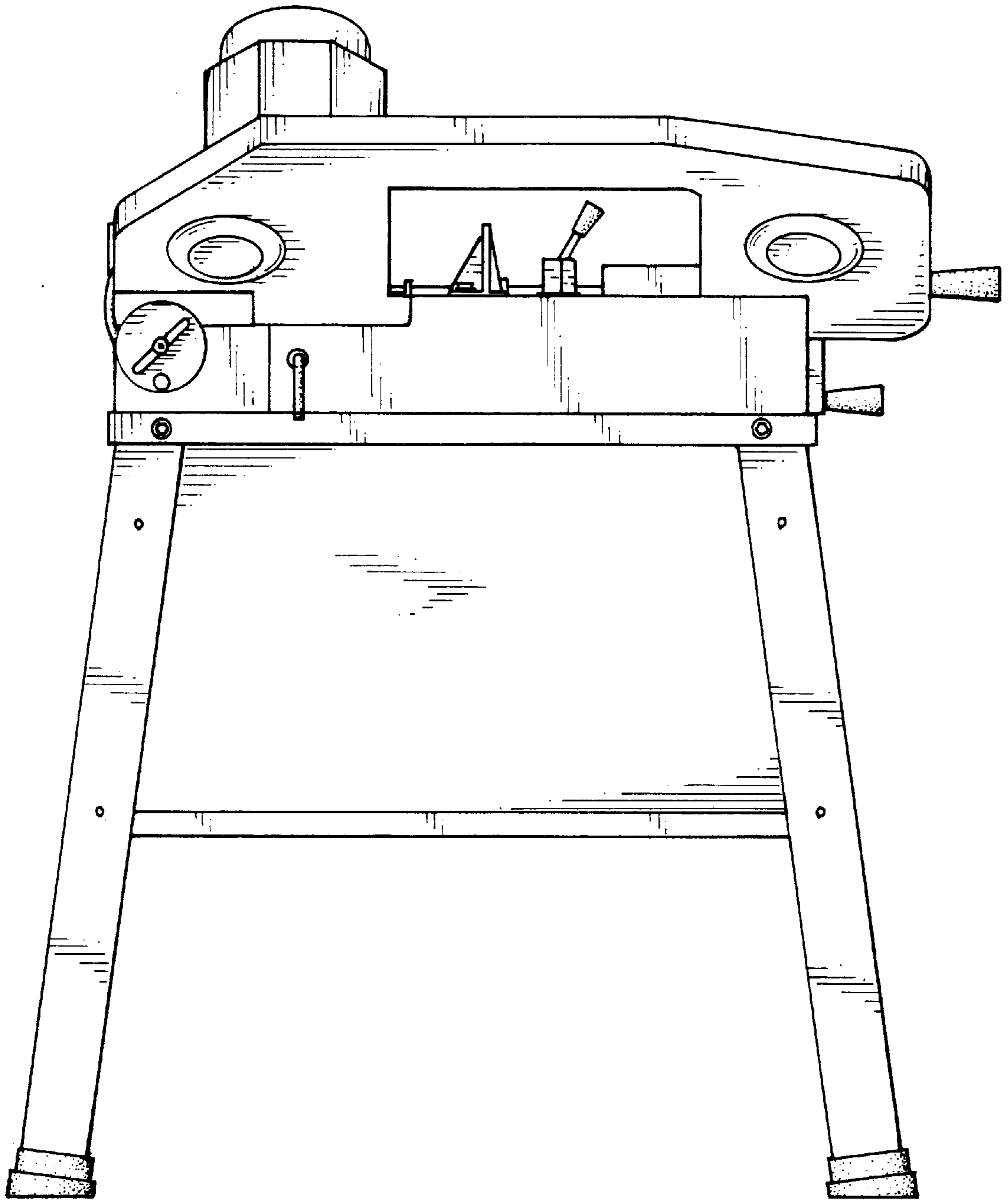


Fig 3

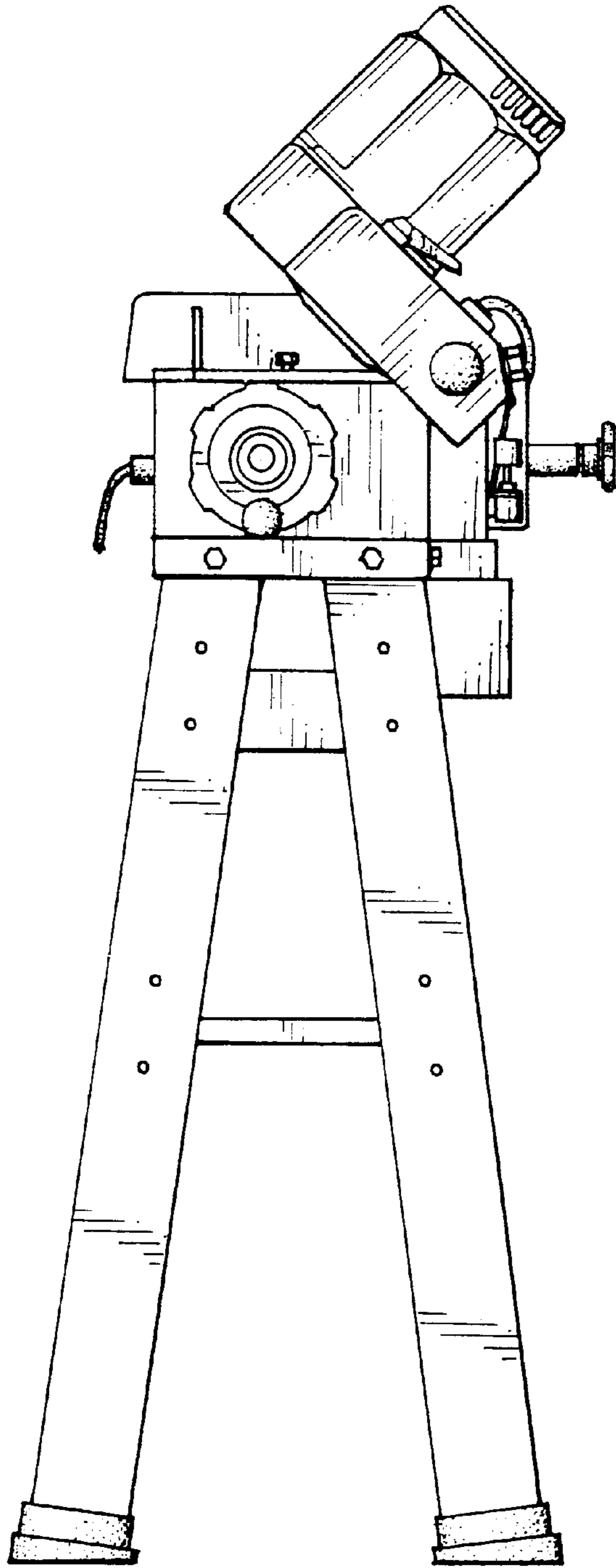


Fig 4

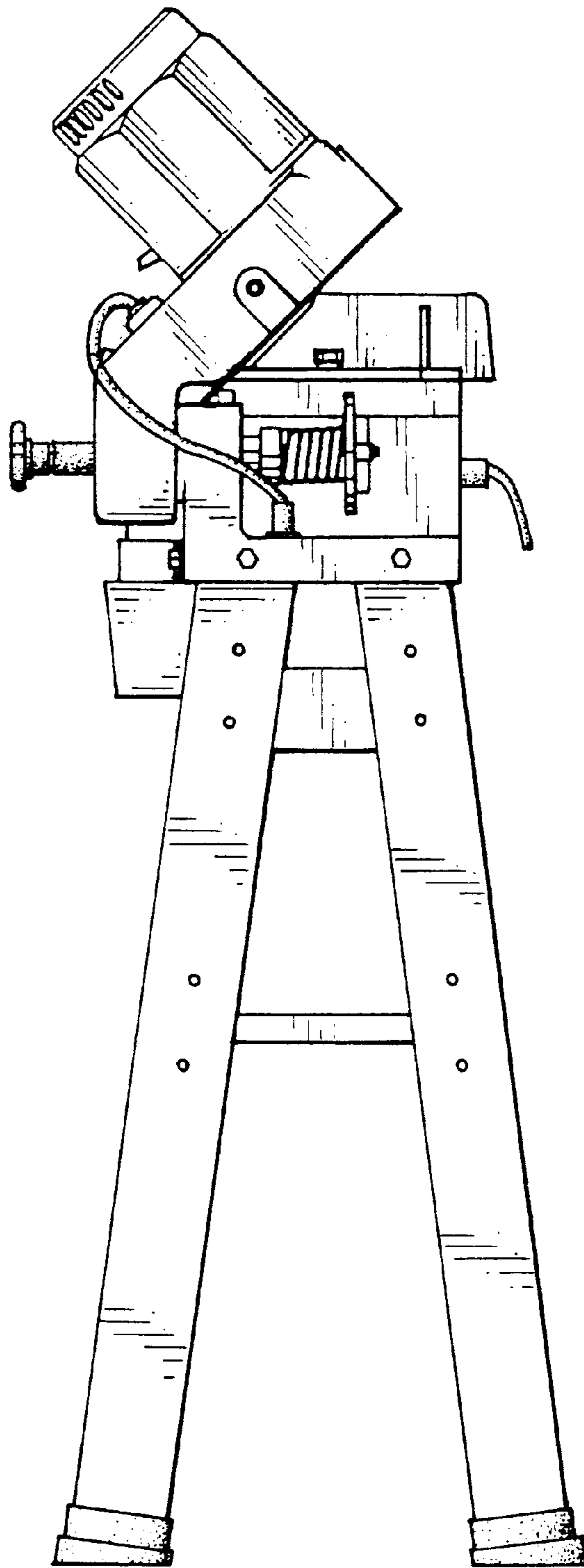


Fig 5

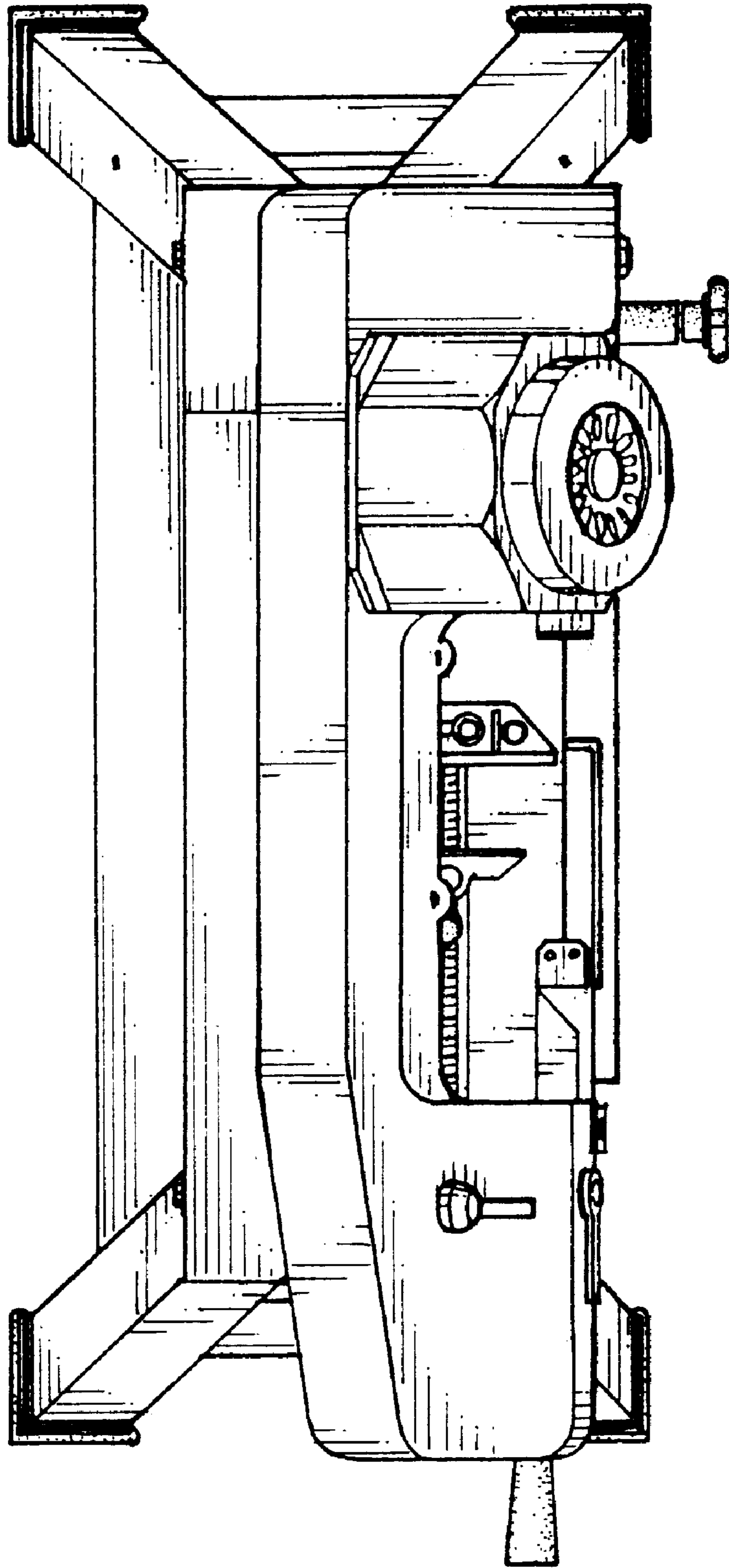


Fig 6

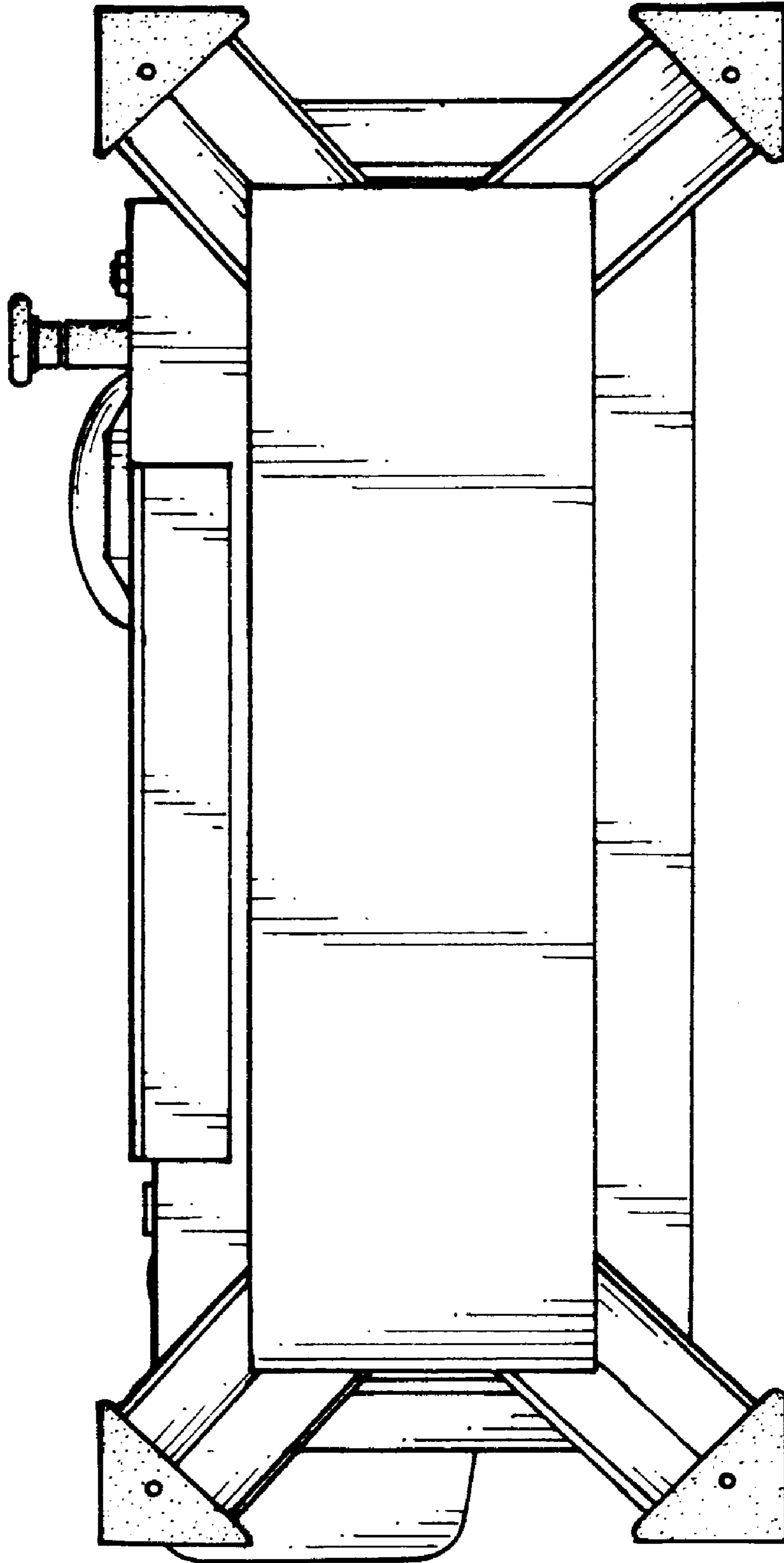


Fig 7