



US00D414786S

**United States Patent** [19]  
**Ceroll et al.**

[11] **Patent Number: Des. 414,786**  
[45] **Date of Patent: \*\* Oct. 5, 1999**

[54] **TABLE FOR A TABLE SAW** 5,116,249 5/1992 Shiotani et al. .... 83/468.7 X  
5,230,269 7/1993 Shiotani et al. .... 83/468.7

[75] Inventors: **Warren A. Ceroll**, Owings Mills;  
**Robert S. Gehret**, Hampstead; **Daniel Puzio**, Baltimore; **Frederick R. Bean**, Finksburg; **Michael L. O'Banion**, Westminster, all of Md.; **David A. Porter**, Hanover, Pa.; **Daniel A. Ferrara, Jr.**, Bantam, Conn.

*Primary Examiner*—Antoine Duval Davis  
*Attorney, Agent, or Firm*—Adan Ayala

[73] Assignee: **Black & Decker, Inc.**, Newark, Del.

[\*\*] Term: **14 Years**

[21] Appl. No.: **29/096,838**

[22] Filed: **Nov. 20, 1998**

[57] **CLAIM**

The ornamental design for a table for a table saw, as shown and described.

**DESCRIPTION**

FIG. 1 is a front elevational view of an embodiment of a table for a table saw showing our new design;  
FIG. 2 is a right side elevational view of the embodiment;  
FIG. 3 is a rear elevational view of the embodiment;  
FIG. 4 is a left side elevational view of the embodiment;  
FIG. 5 is a perspective view of the embodiment; and,  
FIG. 6 is a top plan view of the embodiment.

In the above drawings, any broken line illustration is not part of the design sought to be patented. In addition, any views not shown thereof do not form a part of the invention. This design, however, is not limited to the exact details shown in the drawings, since equivalents and colorable imitations thereof will be evident to a person of ordinary skill in the art. Thus, within the scope of the appended claim, which is intended to cover only the ornamental and novel elements shown in the drawings, the invention may be practiced otherwise than as specifically shown and described herein.

**Related U.S. Application Data**

[63] Continuation of application No. 29/090,751, Jul. 15, 1998, which is a continuation of application No. 29/083,053, Jan. 20, 1998, which is a continuation of application No. 29/070,477, May 8, 1997, Pat. No. Des. 395,322, which is a continuation of application No. 29/057,853, Aug. 1, 1996, Pat. No. Des. 394,071, which is a continuation of application No. 29/051,851, Mar. 1, 1996, abandoned.

[51] **LOC (6) Cl.** ..... **15-09**

[52] **U.S. Cl.** ..... **D15/133**

[58] **Field of Search** ..... D15/133; 83/432, 83/435, 468.3, 468.7, 477, 477.2, 478, 522.3, 522.1; 269/3.8, 165, 180

[56] **References Cited**

**U.S. PATENT DOCUMENTS**

D. 354,757 1/1995 Wixey ..... D15/133

**1 Claim, 6 Drawing Sheets**

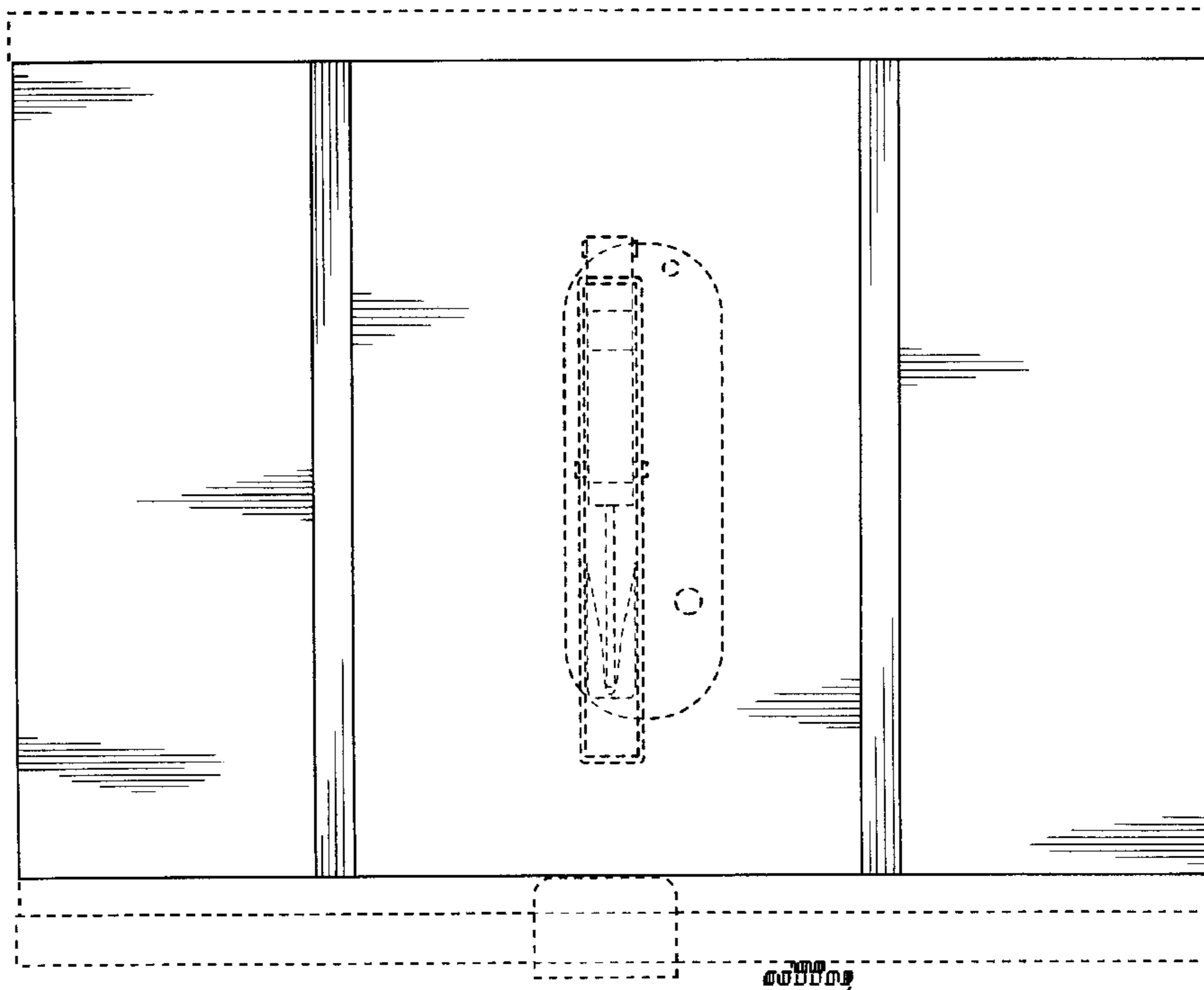


FIG. 1

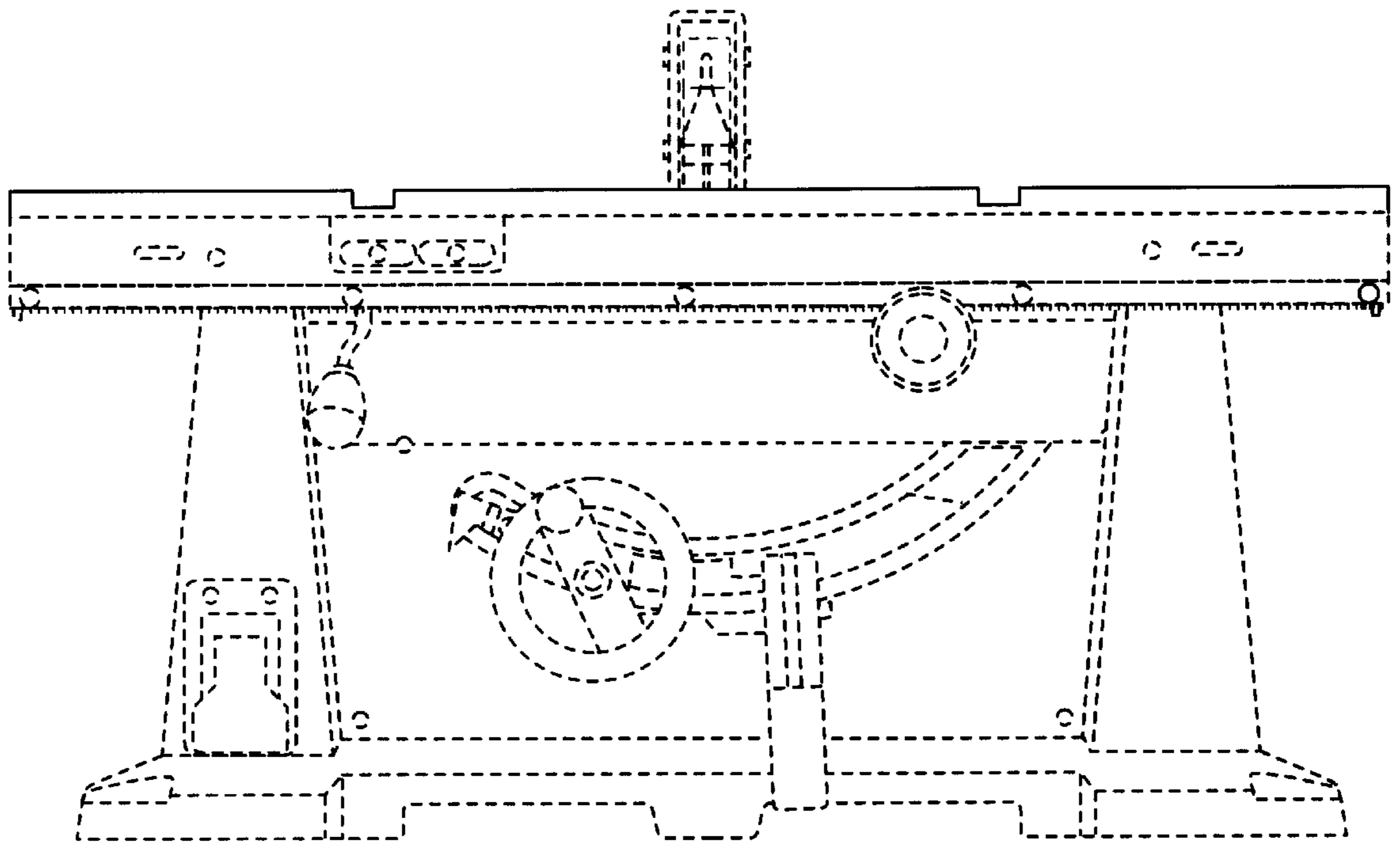


FIG. 2

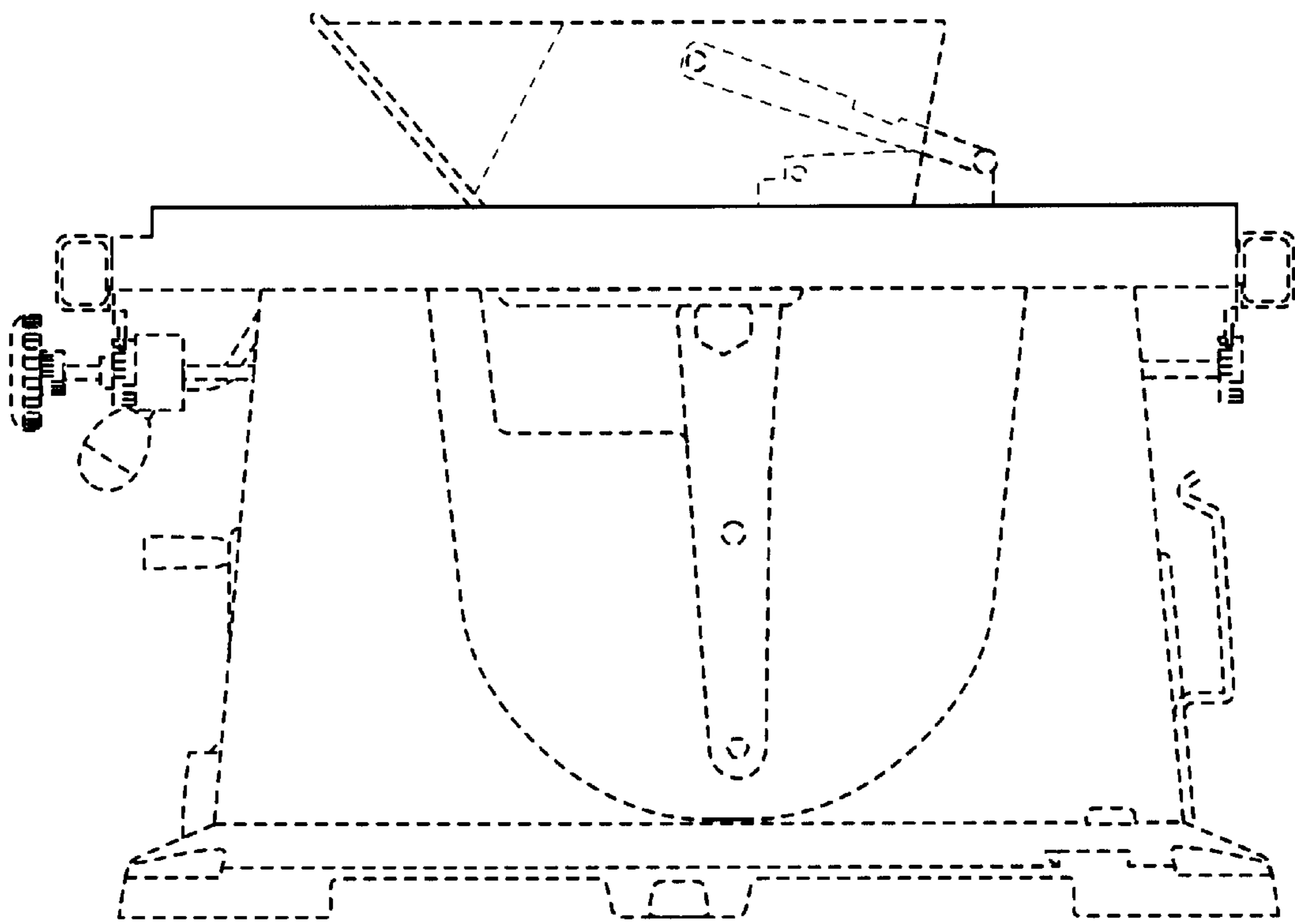


FIG. 3

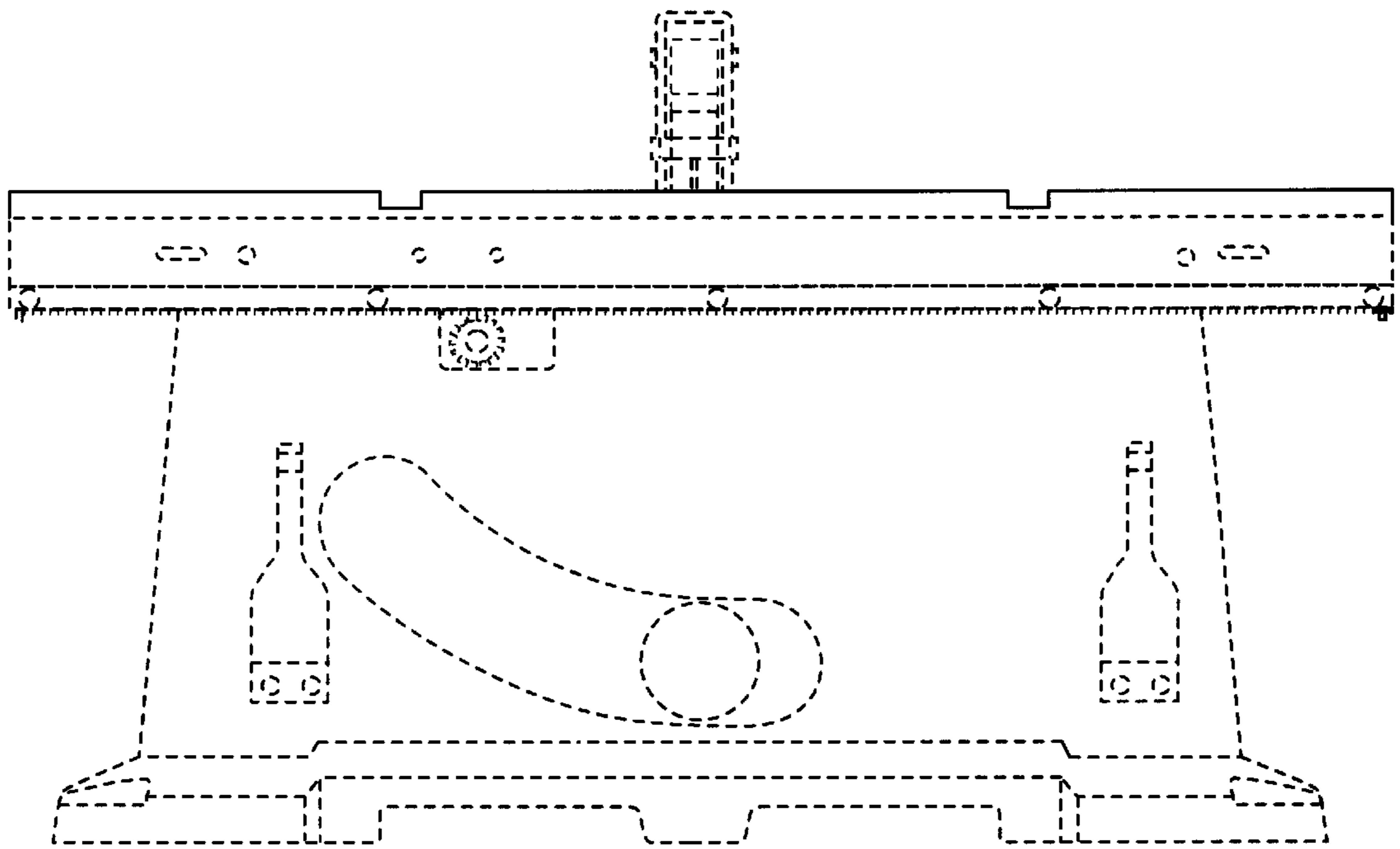


FIG. 4

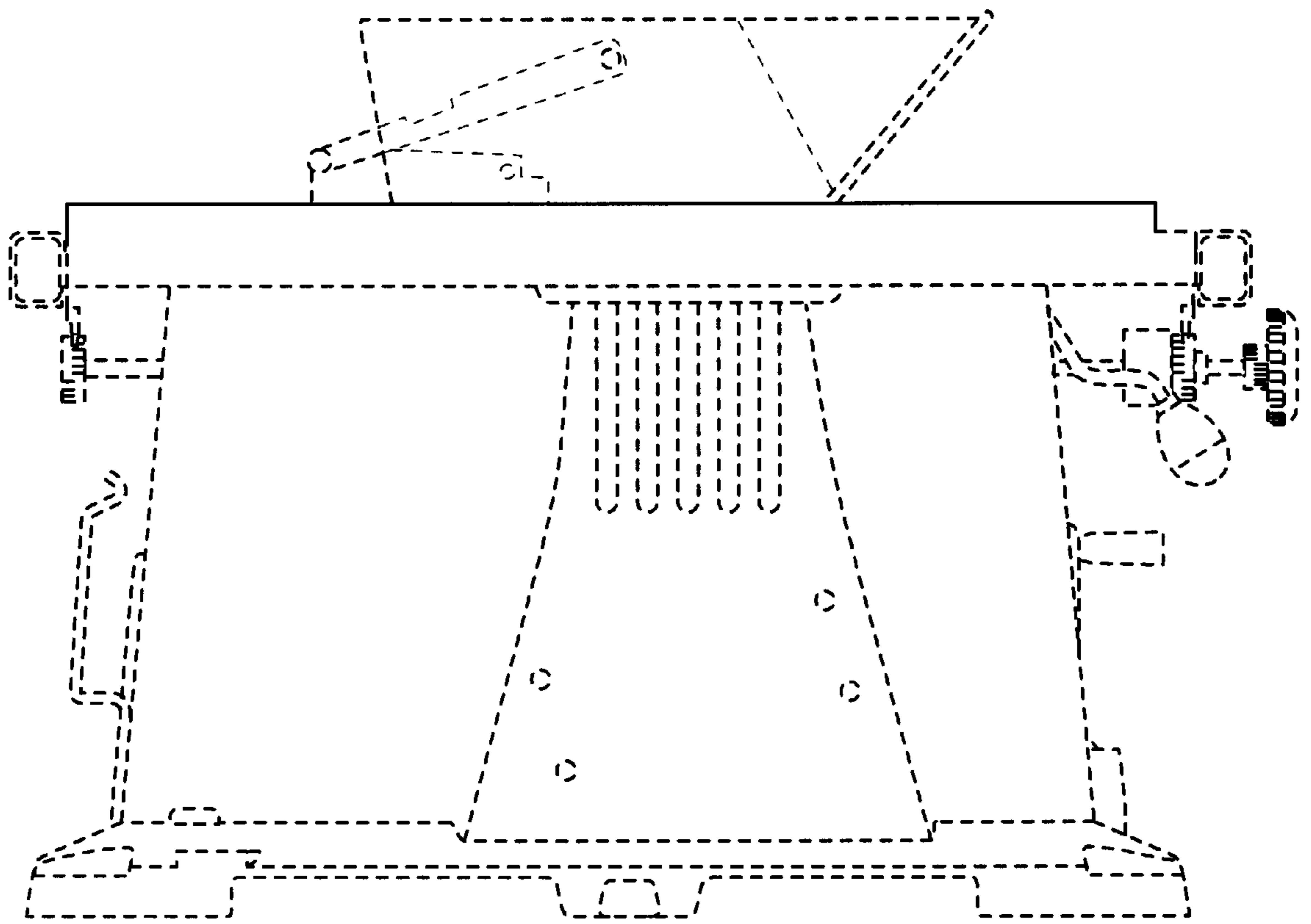


FIG. 5

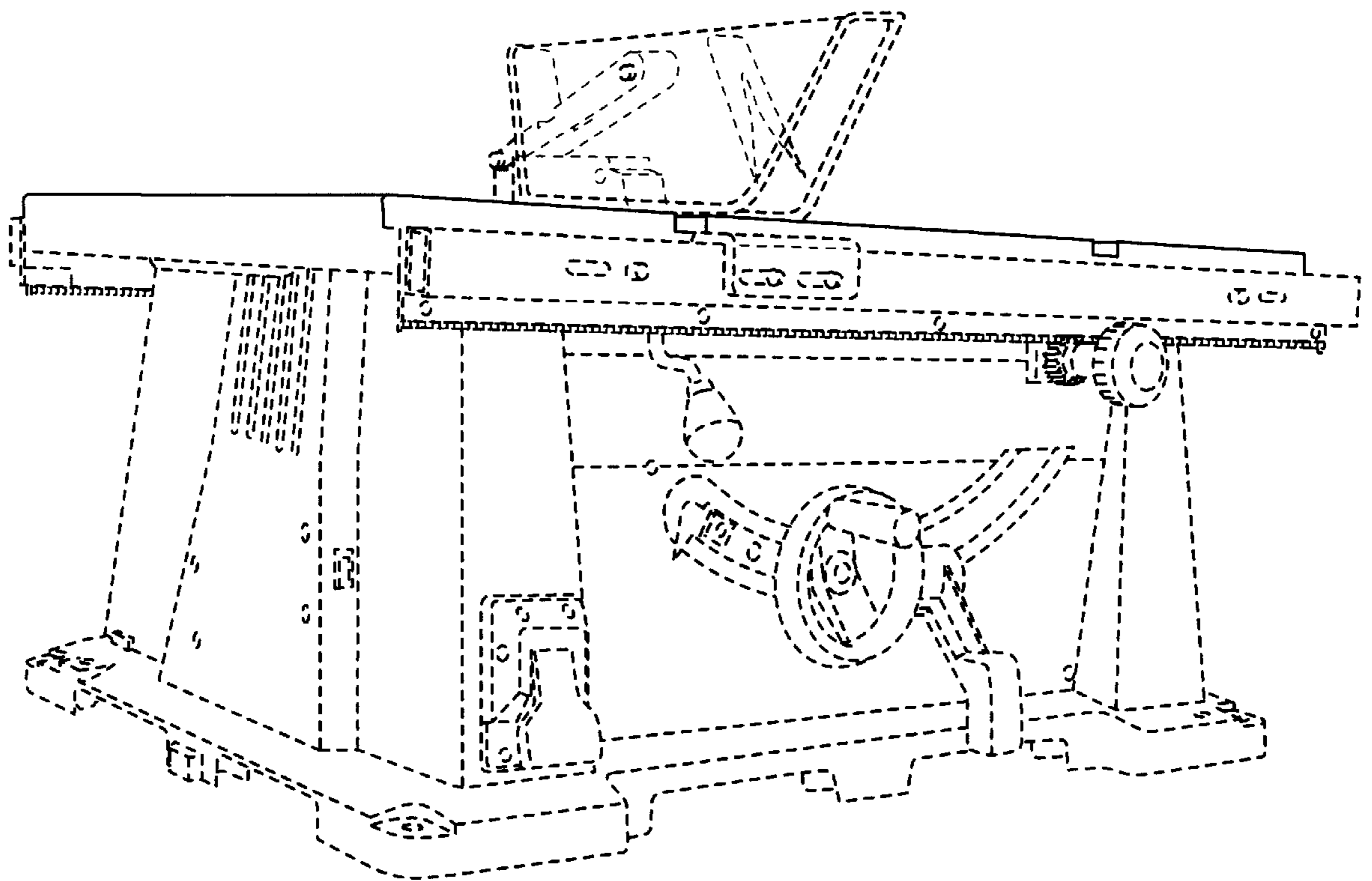


FIG. 6

