



US00D414783S

# United States Patent [19] Spear

[11] **Patent Number: Des. 414,783**

[45] **Date of Patent: \*\* Oct. 5, 1999**

[54] **BROADCAST SPREADER**

5,842,648 12/1998 Havlovitz et al. .... 239/650

[75] Inventor: **Kenneth J. Spear**, Vienna, W. Va.

*Primary Examiner*—Sandra L. Morris  
*Attorney, Agent, or Firm*—W. Warren Taltavull; Farkas & Manelli PLL

[73] Assignee: **O. Ames Co.**, Parkersburg, W. Va.

[\*\*] Term: **14 Years**

### [57] CLAIM

[21] Appl. No.: **29/097,710**

The ornamental design for a broadcast spreader, as shown and described.

[22] Filed: **Dec. 11, 1998**

### DESCRIPTION

[51] **LOC (6) Cl.** ..... **15-03**

FIG. 1 is a perspective view of a broadcast spreader embodying my new design, the perspective looking down on the front and right side thereof;

[52] **U.S. Cl.** ..... **D15/13**

FIG. 2 is a right side elevational view thereof;

[58] **Field of Search** ..... D15/10-14; 222/45,  
222/625; 239/650, 681-689

FIG. 3 is a left side elevational view thereof;

FIG. 4 is a front elevational view thereof;

FIG. 5 is a rear elevational view thereof;

FIG. 6 is a top plan view thereof;

FIG. 7 is a bottom plan view thereof; and,

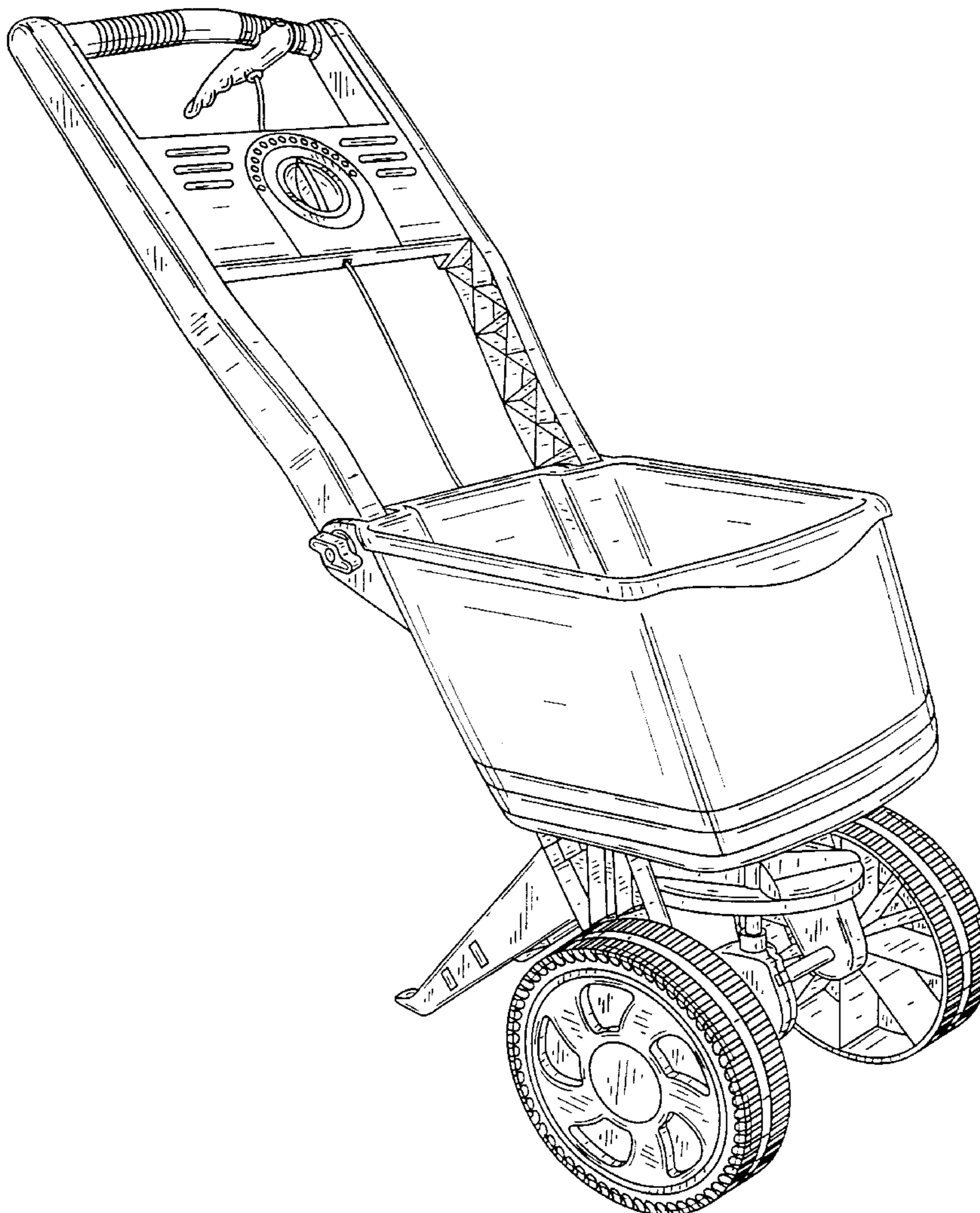
FIG. 8 is a view similar to FIG. 2 showing the broadcast spreader in a folded storage or transporting position.

### [56] References Cited

#### U.S. PATENT DOCUMENTS

D. 371,780	7/1996	Havlovitz	.....	D15/13
D. 373,367	9/1996	Havlovitz	.....	D15/13
D. 376,155	12/1996	Havlovitz	.....	D15/13
D. 384,679	10/1997	Havlovitz et al.	.....	D15/13
5,597,092	1/1997	Havlovitz	.....	222/45

**1 Claim, 7 Drawing Sheets**



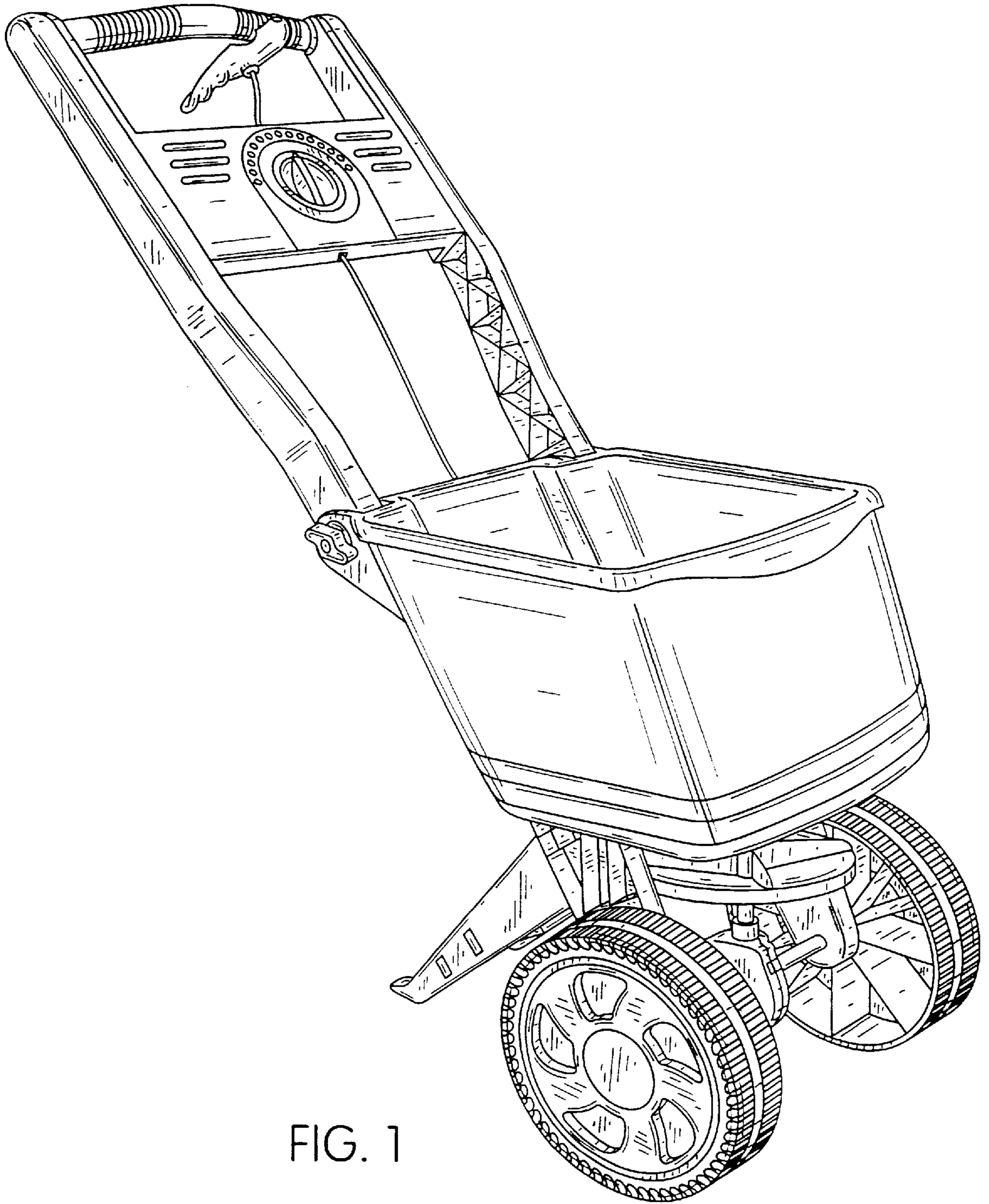


FIG. 1

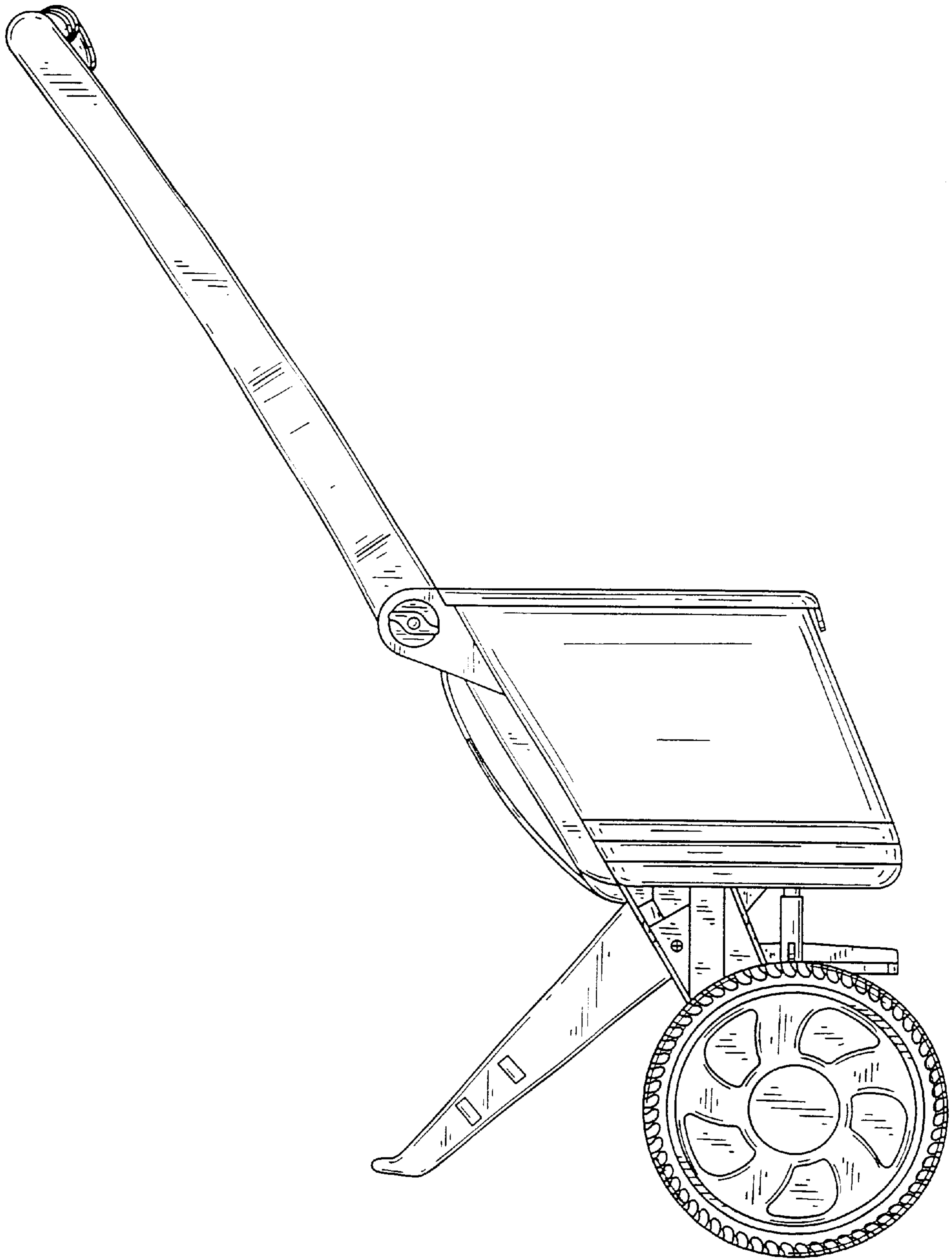


FIG. 2



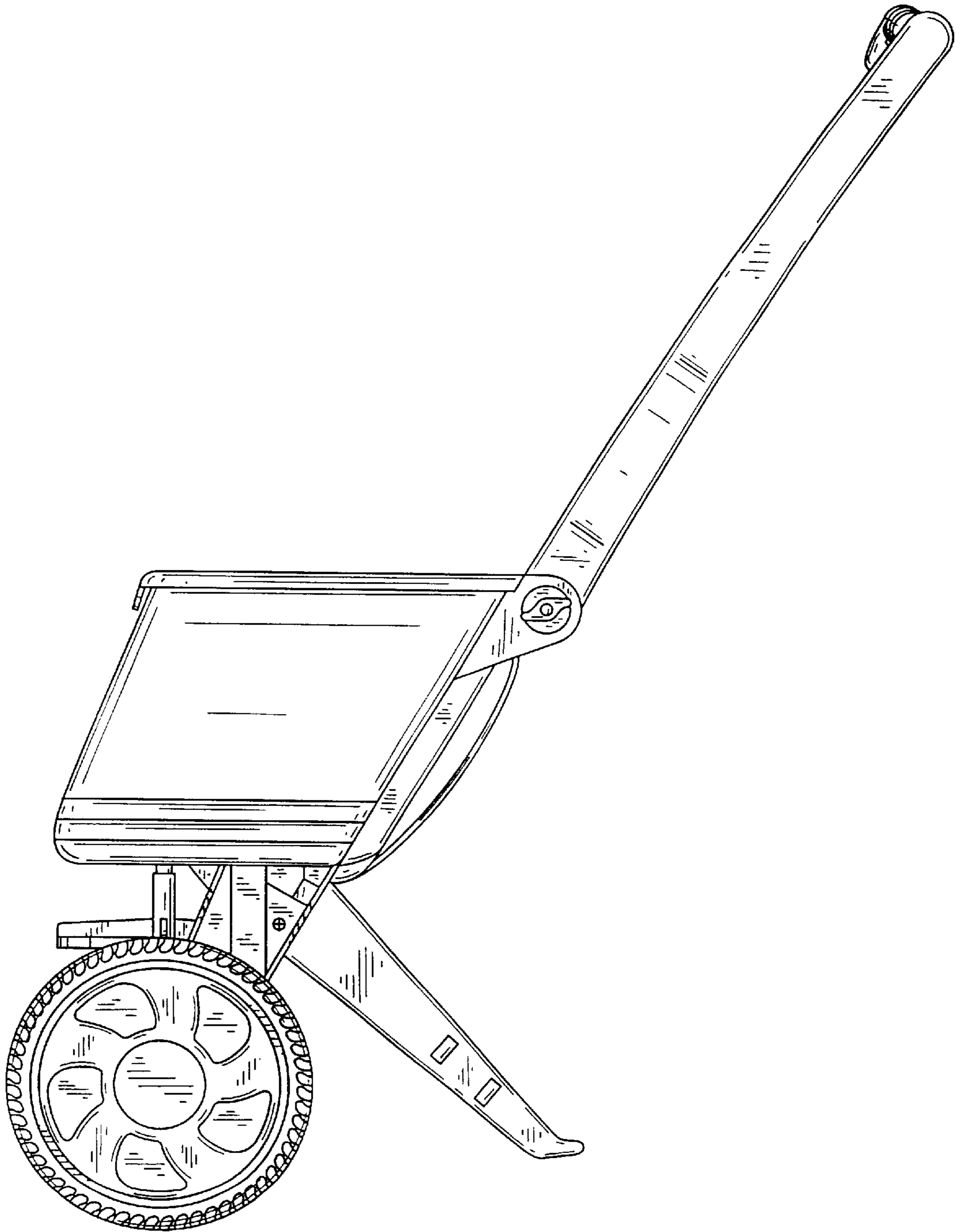


FIG. 3

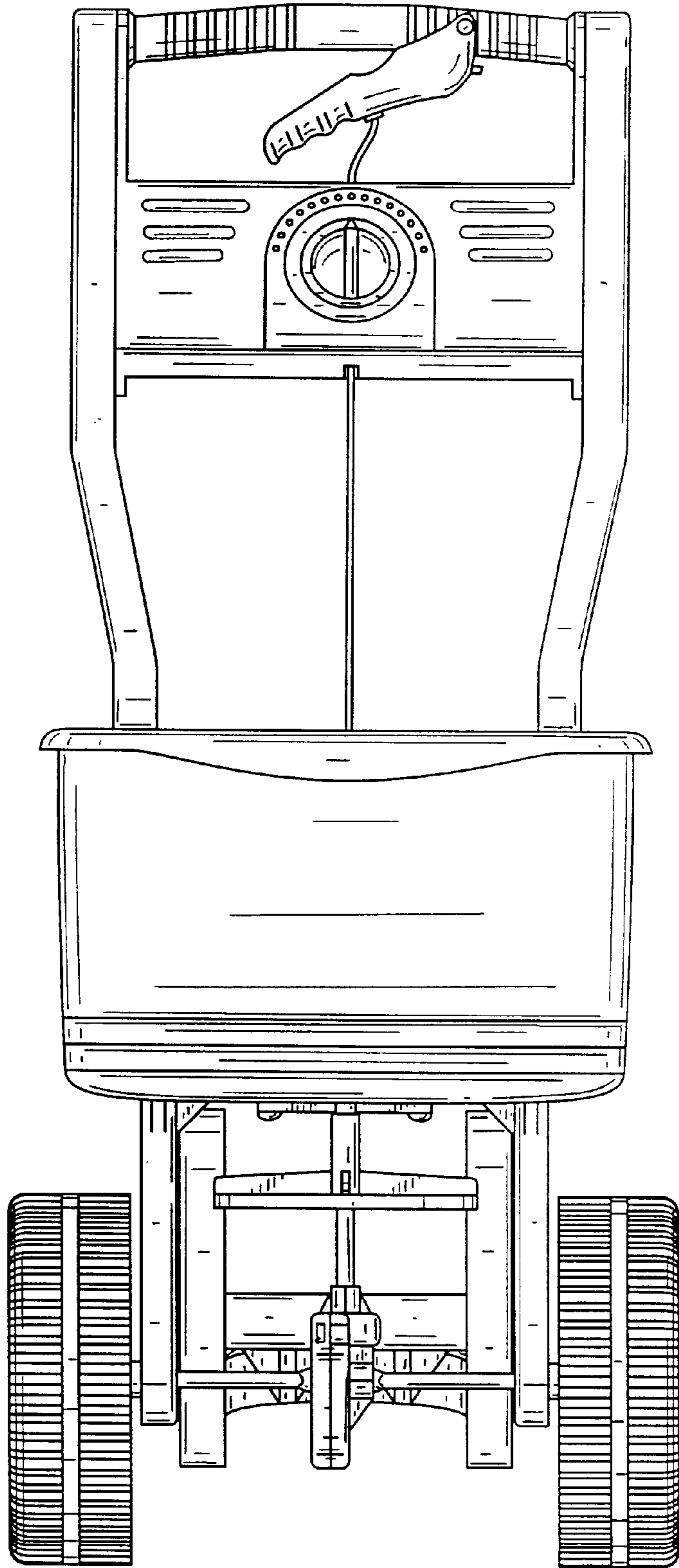


FIG. 4

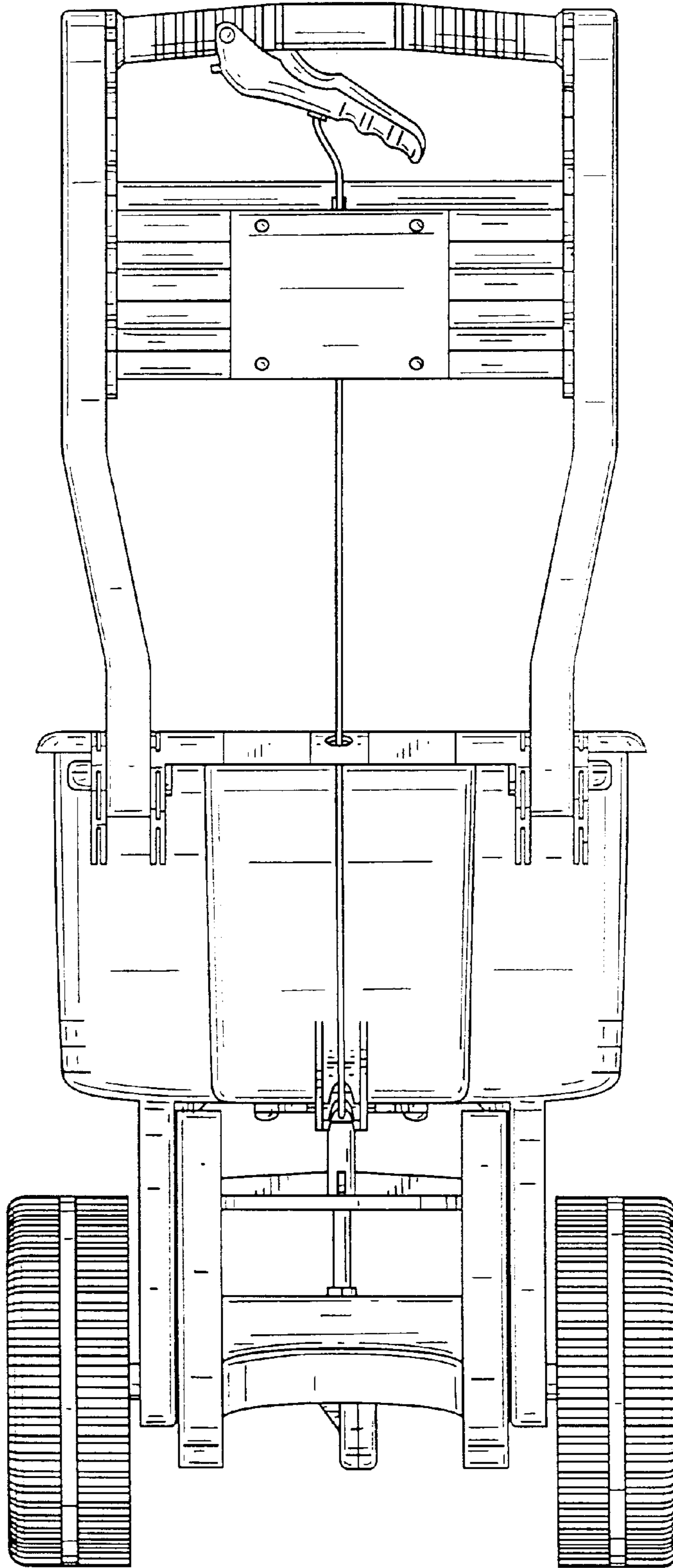


FIG. 5

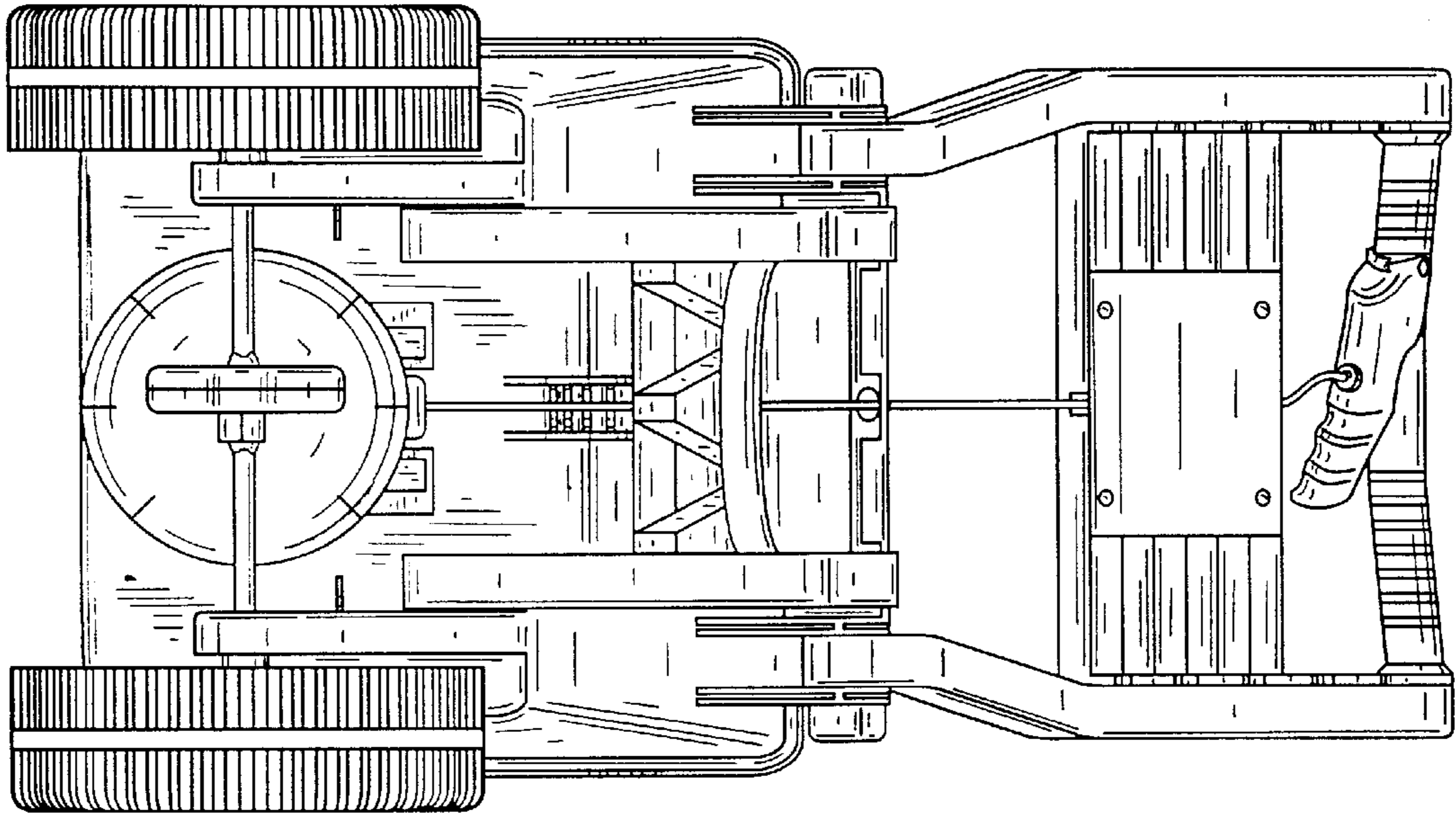


FIG. 7

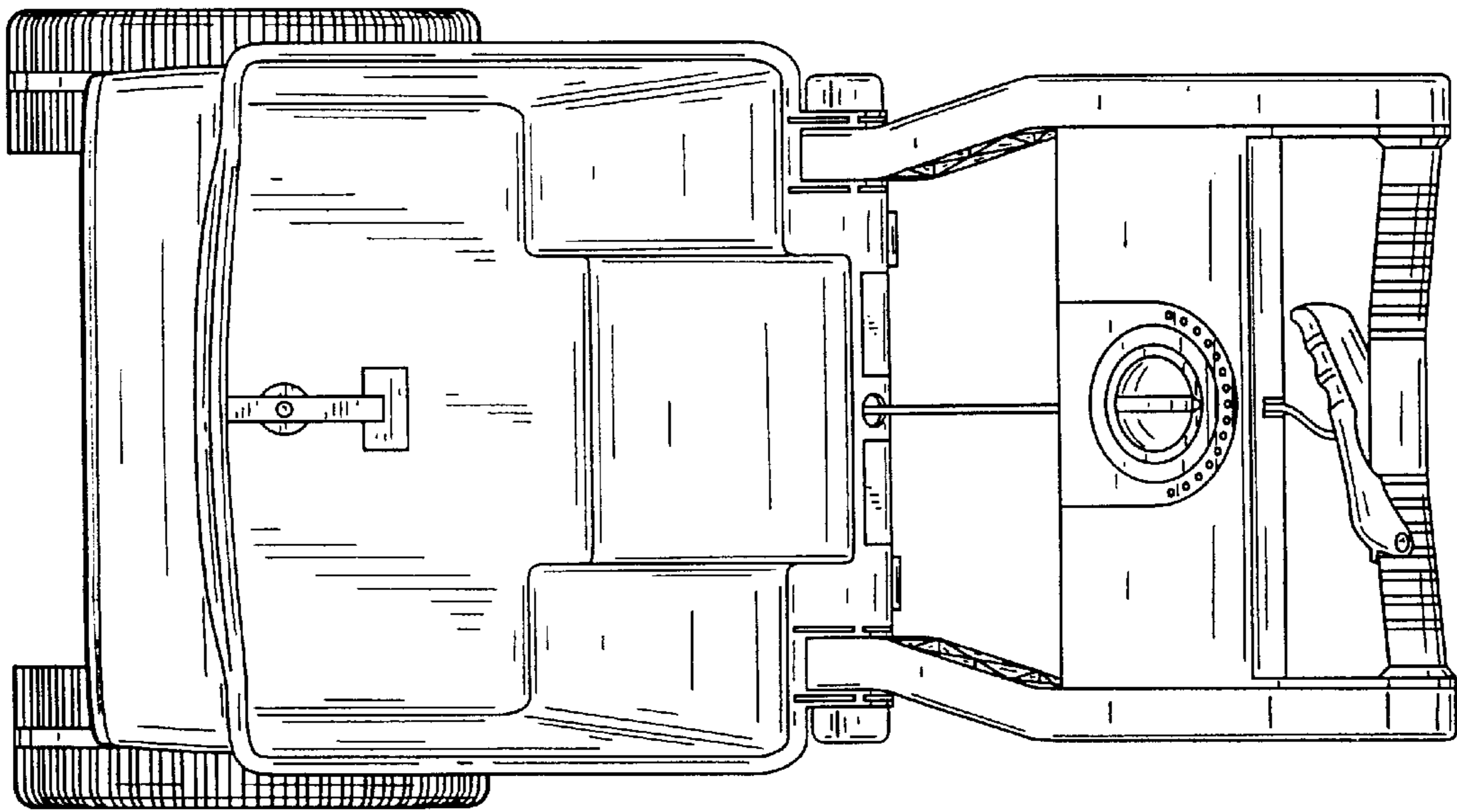


FIG. 6

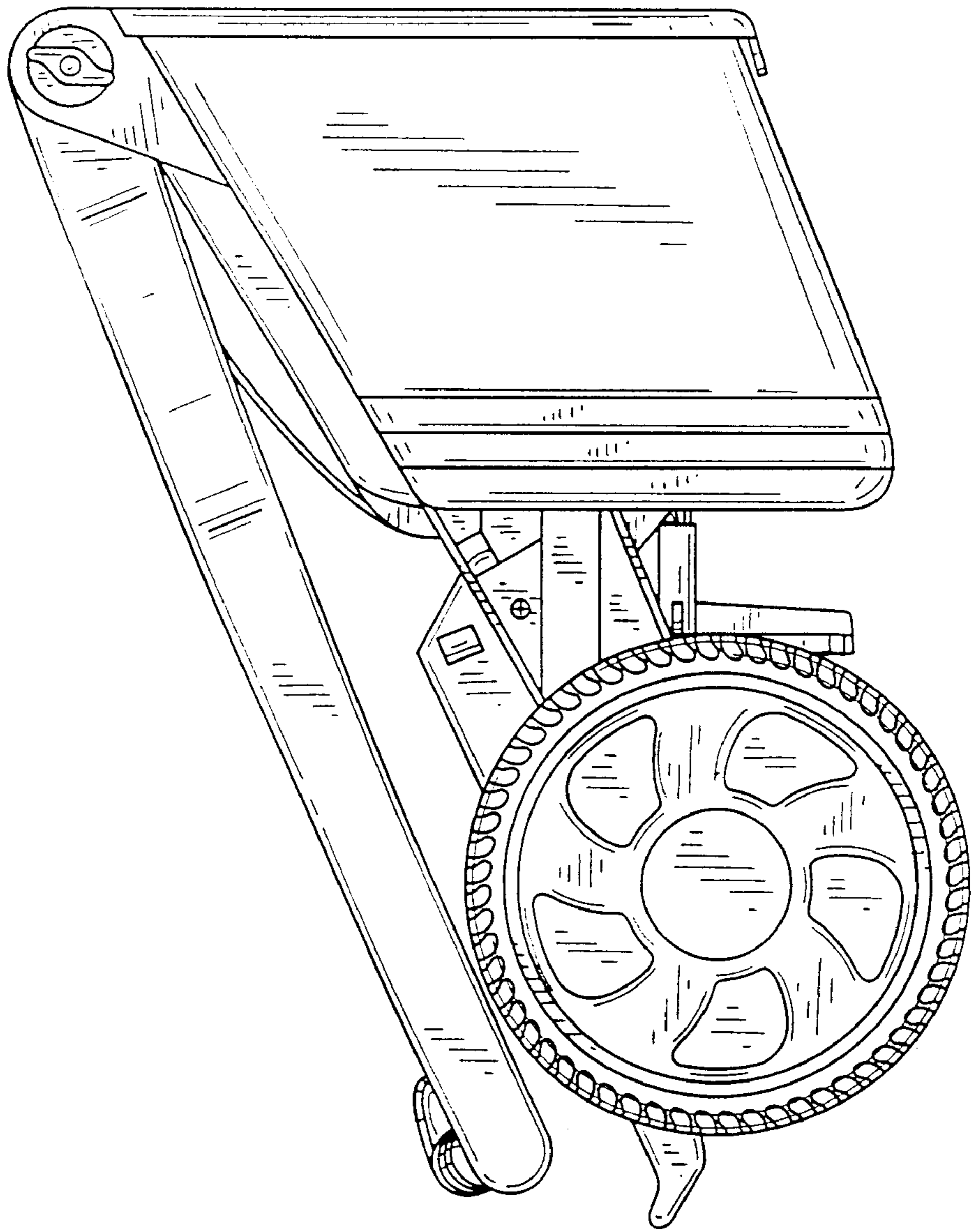


FIG. 8