



US00D414776S

United States Patent [19]

Shintani et al.

[11] **Patent Number: Des. 414,776**

[45] **Date of Patent: ** Oct. 5, 1999**

[54] **BUTTON PORTION OF AN AMPLIFIER**

[75] Inventors: **Eiji Shintani; Hisanori Narita**, both of Tokyo, Japan

[73] Assignee: **Sony Corporation**, Tokyo, Japan

[**] Term: **14 Years**

[21] Appl. No.: **29/081,156**

[22] Filed: **Dec. 23, 1997**

[51] **LOC (6) Cl.** **14-99**

[52] **U.S. Cl.** **D14/265; D14/217**

[58] **Field of Search** D8/310; D14/124, D14/156, 157, 160-170, 188-198, 217, 265, 299; 116/246, DIG. 15; 334/86, 32; 455/345, 347

[56] **References Cited**

U.S. PATENT DOCUMENTS

- D. 197,668 3/1964 Boldt D14/217 X
- D. 224,407 7/1972 Katz D14/217 X

- D. 253,289 10/1979 Kato D14/265 X
- D. 258,819 4/1981 Matsuda D14/265
- 2,081,746 5/1937 Hollmann D14/265 X
- 3,855,962 12/1974 Uchida et al. 344/86 X
- 4,532,162 7/1985 Neece D14/258 X

Primary Examiner—Nanda Bondade
Attorney, Agent, or Firm—Foley & Lardner

[57] **CLAIM**

The ornamental design for a button portion of an amplifier, as shown and described.

DESCRIPTION

FIG. 1 is a perspective view of a button portion of an amplifier showing our new design; FIG. 2 is a top plan view thereof; FIG. 3 is a left side elevational view thereof, the right side elevational view being a mirror image; FIG. 4 is a front elevational view thereof; and, FIG. 5 is a bottom plan view thereof. The amplifier body portion in broken lines is for illustrative purpose only and forms no part of claimed design.

1 Claim, 2 Drawing Sheets

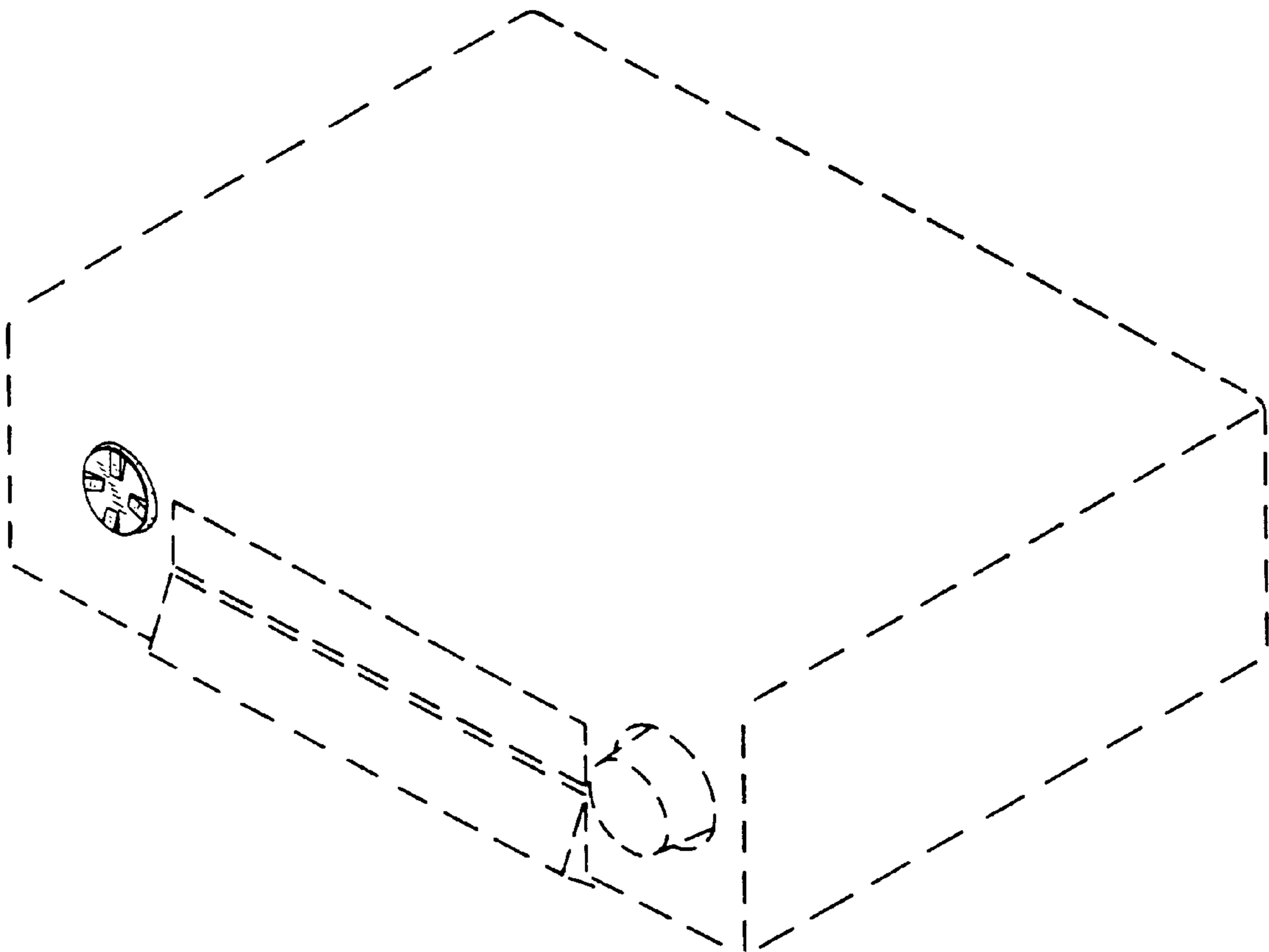


FIG. 2

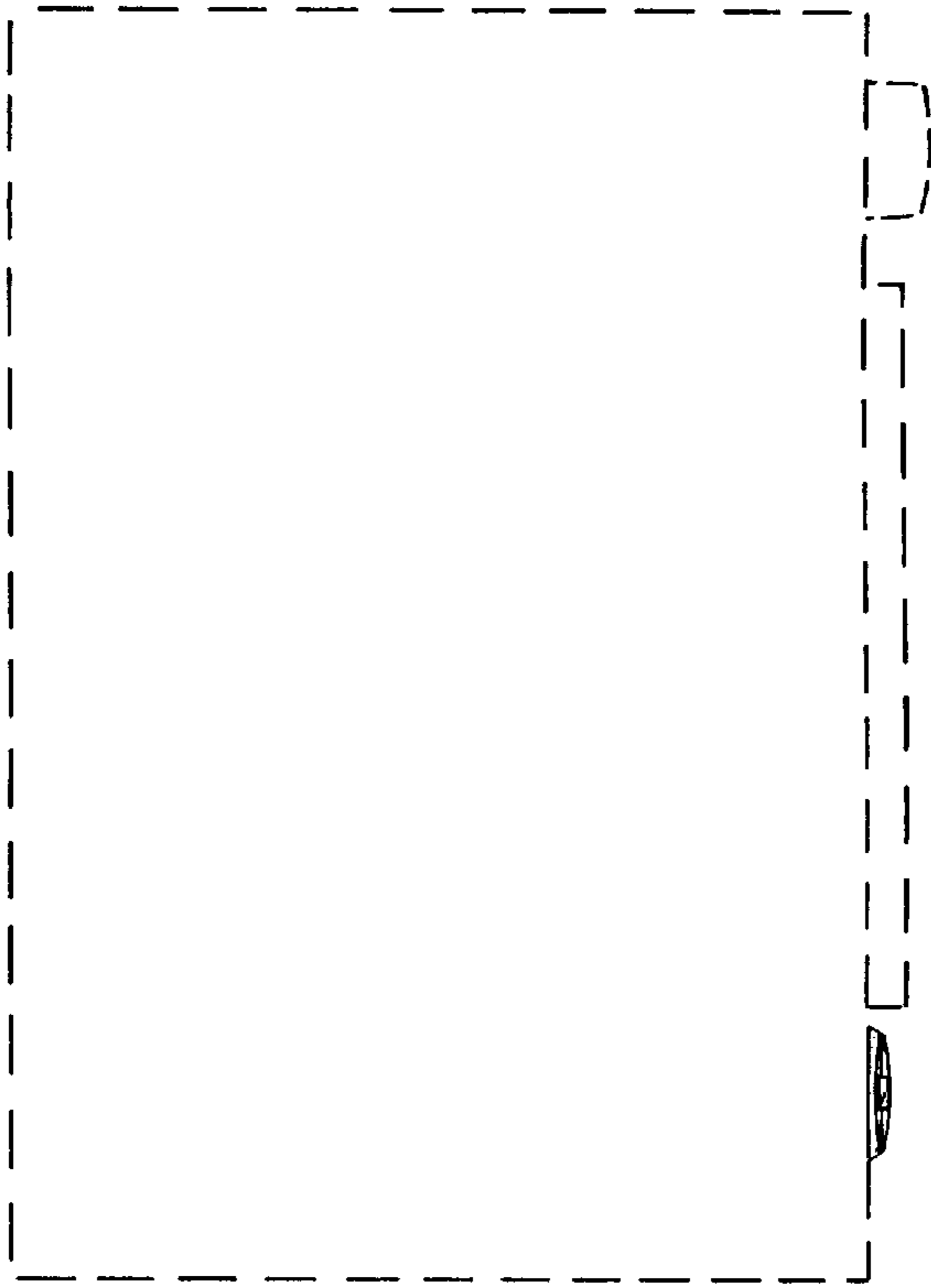


FIG. 1

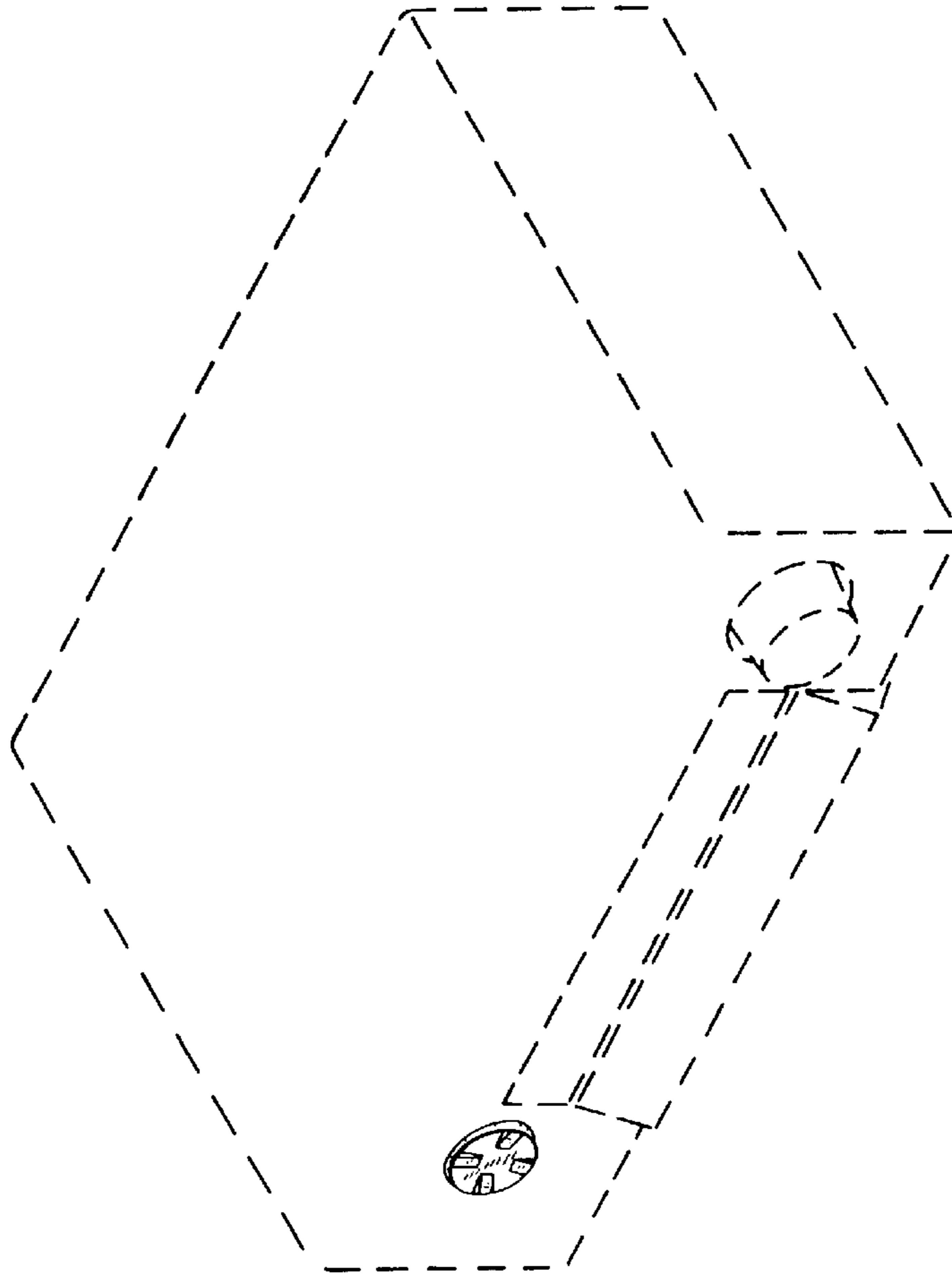


FIG. 3

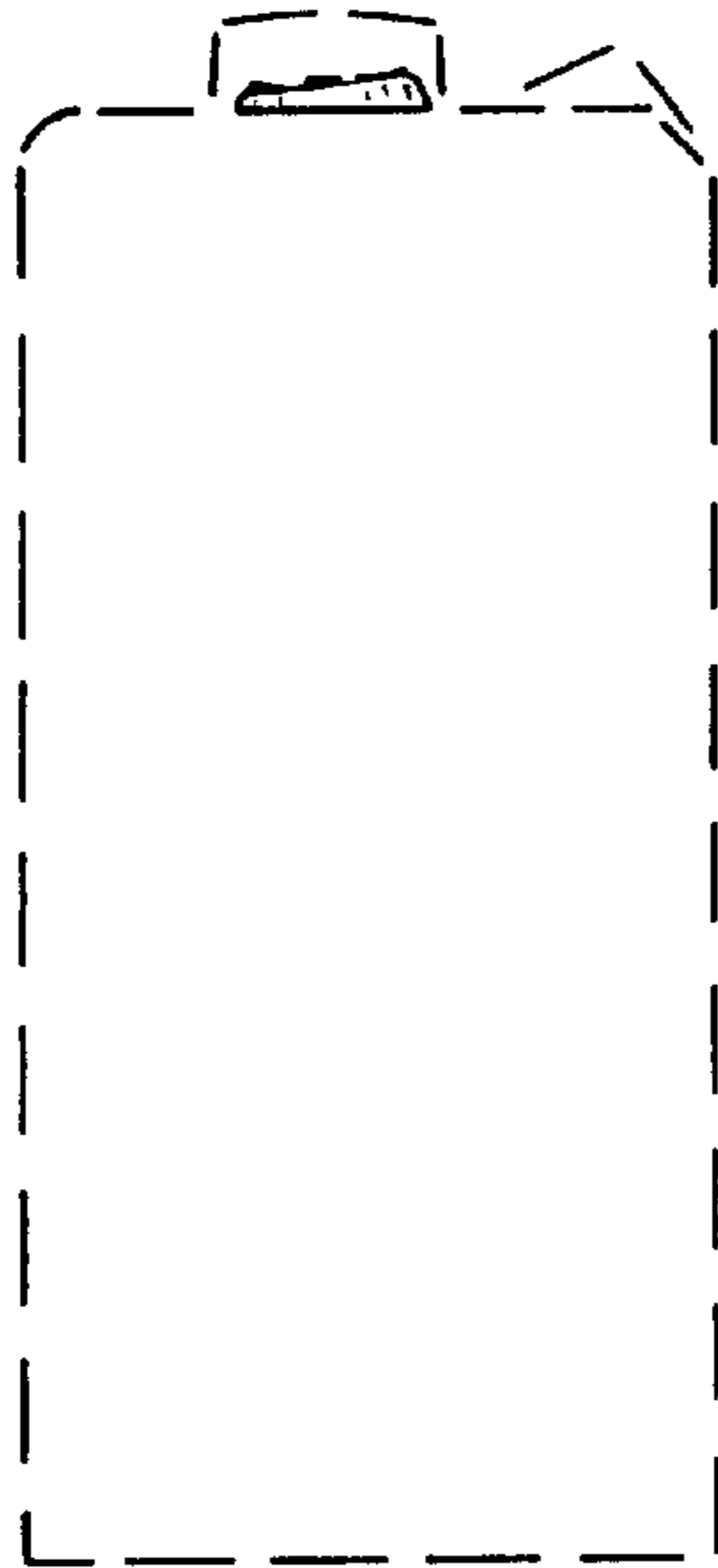


FIG. 4

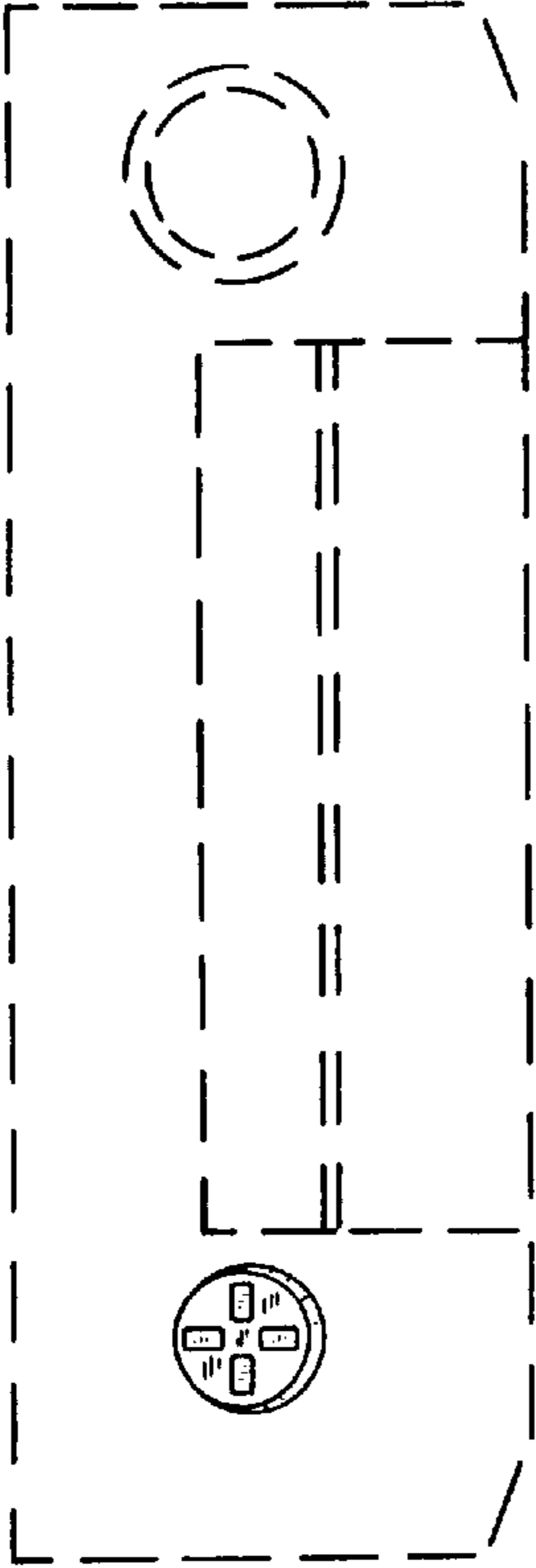


FIG. 5

