



US00D414775S

# United States Patent [19] Ohta

[11] **Patent Number: Des. 414,775**

[45] **Date of Patent: \*\* Oct. 5, 1999**

[54] **FRONT PANEL FOR AN AUTOCHANGER**

D. 360,883 8/1995 Ito et al. .... D14/164 X  
4,562,595 12/1985 Bauer et al. .... 455/345

[75] Inventor: **Seiya Ohta**, Fort Collins, Colo.

*Primary Examiner*—Nanda Bondade

[73] Assignee: **Hewlett-Packard Company**, Palo Alto, Calif.

### [57] CLAIM

[\*\*] Term: **14 Years**

The ornamental design for a front panel for an autochanger, as shown and described.

[21] Appl. No.: **29/097,450**

### DESCRIPTION

[22] Filed: **Dec. 7, 1998**

#### Related U.S. Application Data

[62] Division of application No. 29/077,470, Oct. 6, 1997.

[51] **LOC (6) Cl.** ..... **14-01**

[52] **U.S. Cl.** ..... **D14/257**

[58] **Field of Search** ..... D14/124, 155,  
D14/157, 158, 168, 188, 197, 198, 257,  
258, 265, 299; 455/344-347, 350, 351;  
369/75.1, 75.2, 77.1, 77.2

FIG. 1 is an isometric view of a front panel for an autochanger showing my new design, the broken line showing of the autochanger is for illustrative purposes only and forms no part of the claimed design;

FIG. 2 is a front elevational view of the front panel for an autochanger of FIG. 1;

FIG. 3 is a top plan view thereof;

FIG. 4 is a bottom plan view thereof; and,

FIG. 5 is a right side elevational view thereof; and,

FIG. 6 is a left side elevational view thereof.

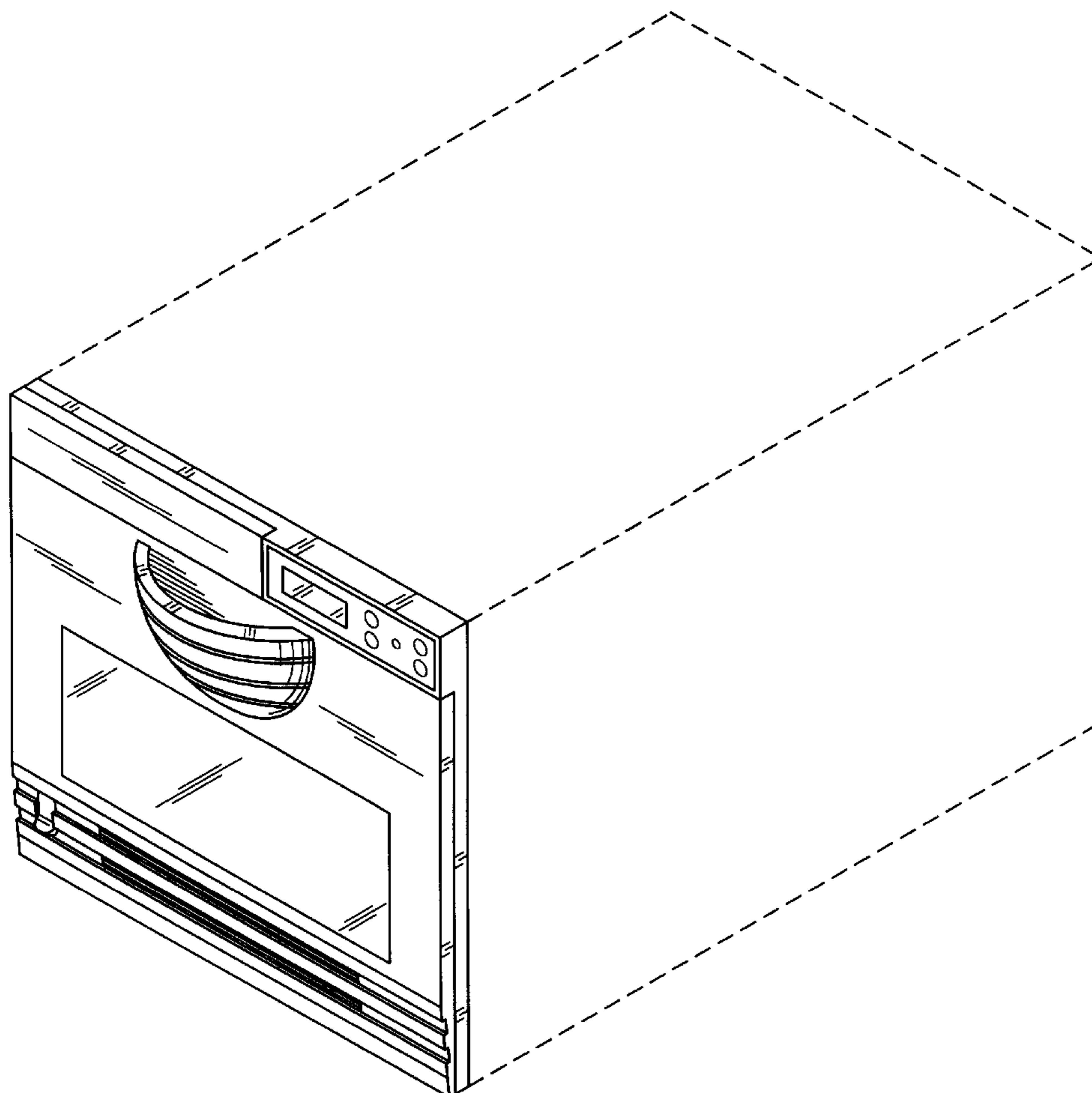
The rear of the front panel for an autochanger is unornamented and forms no part of the claimed design.

#### [56] References Cited

##### U.S. PATENT DOCUMENTS

D. 300,428 3/1989 Garmon ..... D14/158

**1 Claim, 3 Drawing Sheets**



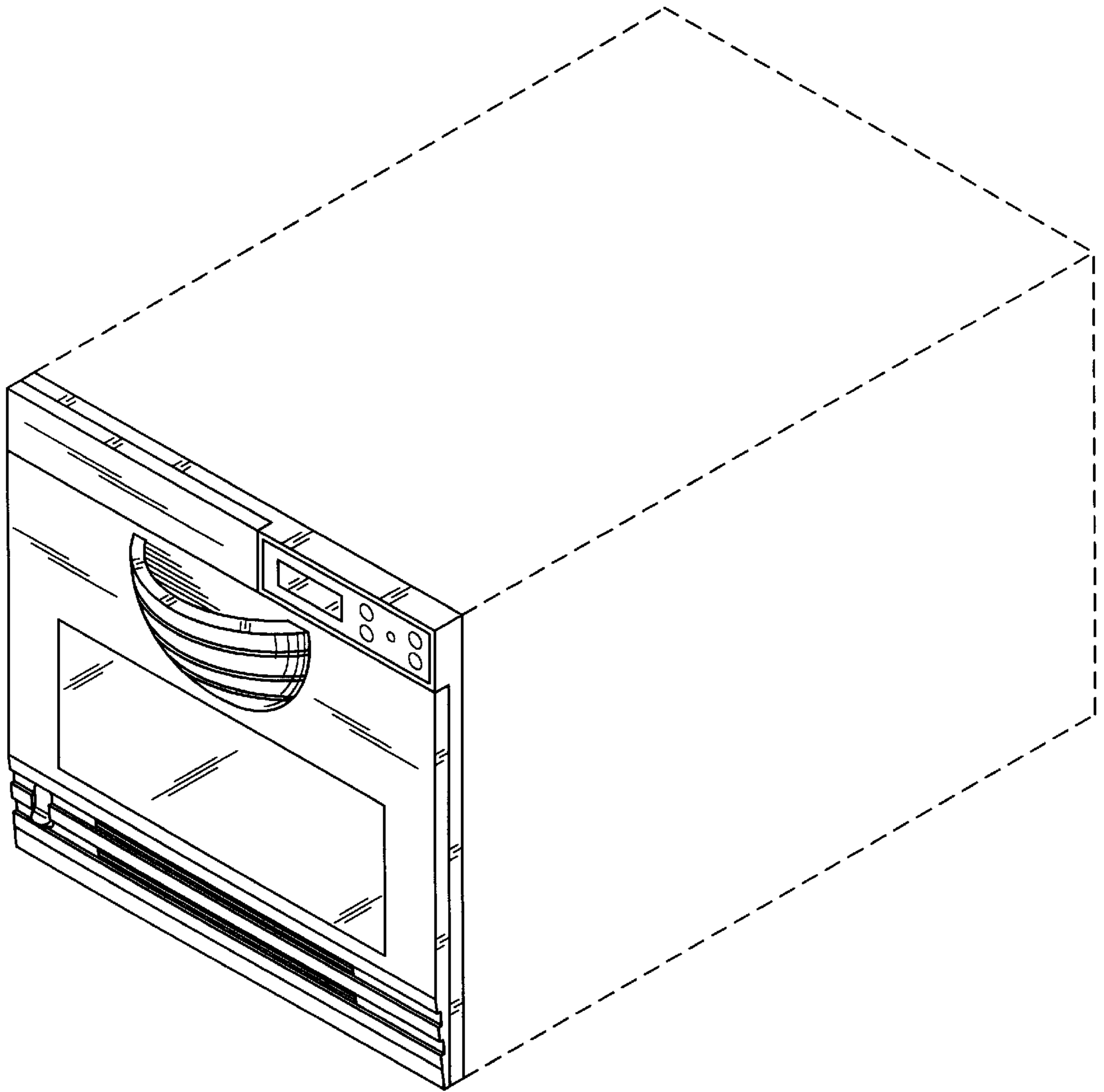


FIG. 1

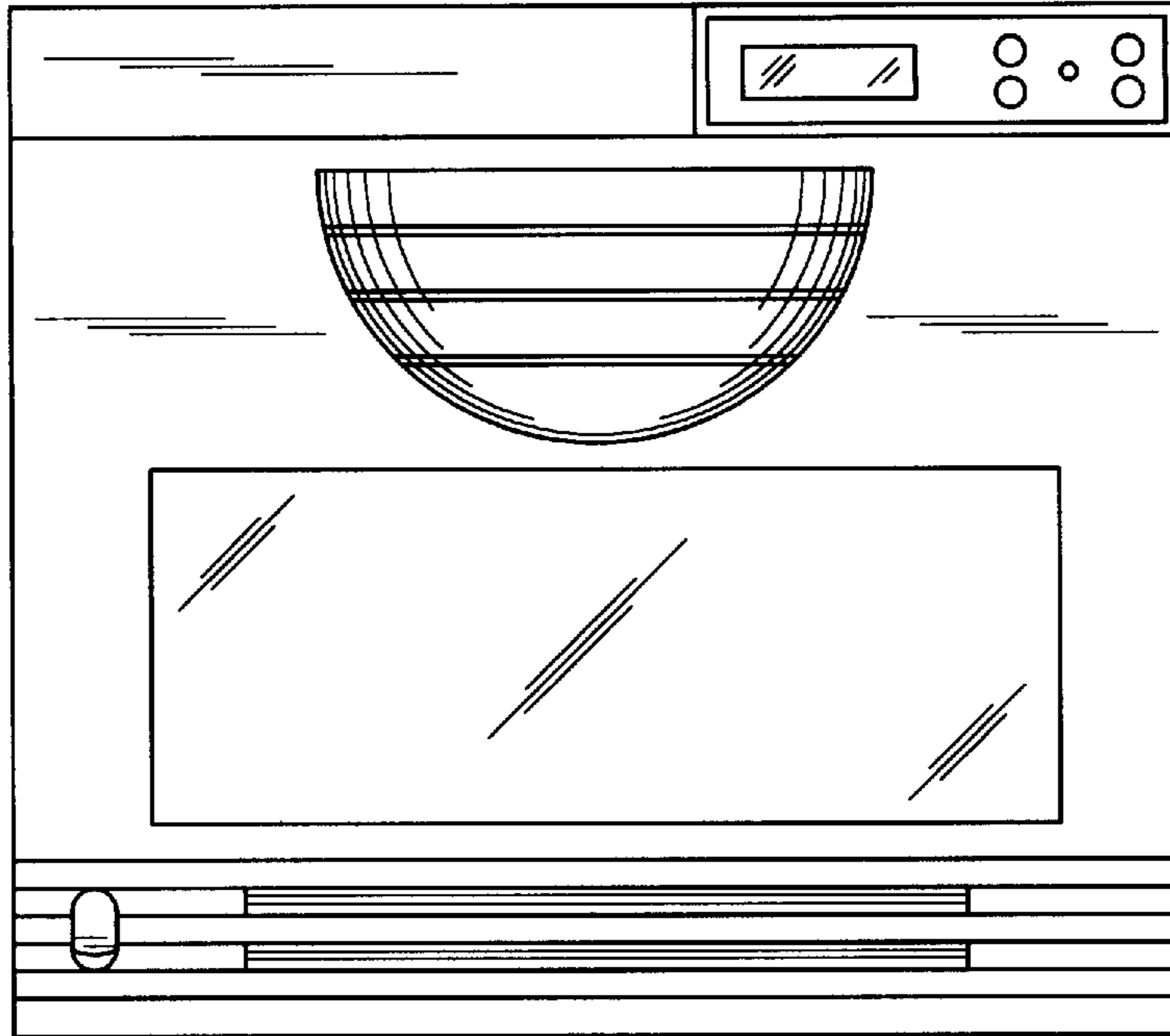


FIG. 2

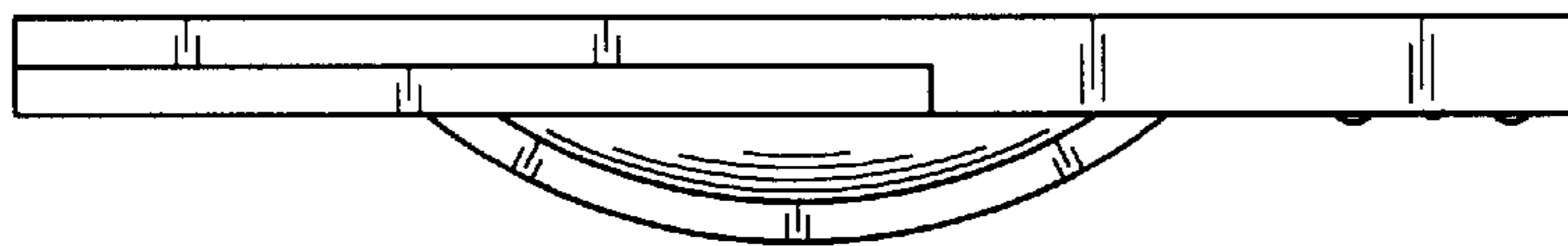


FIG. 3

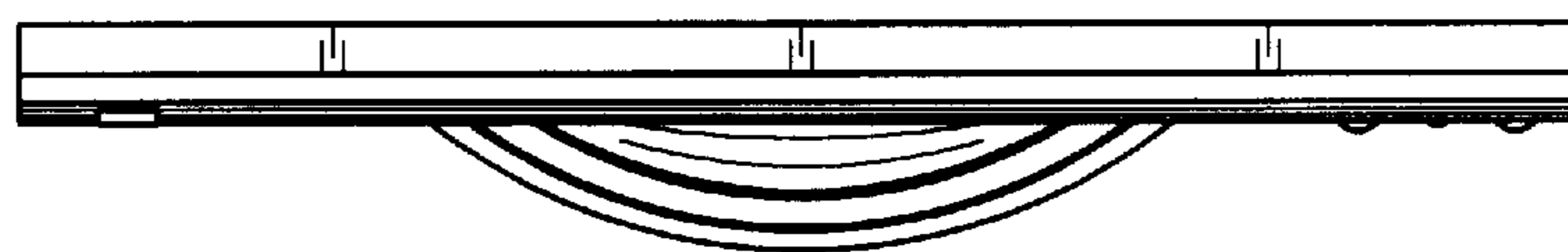
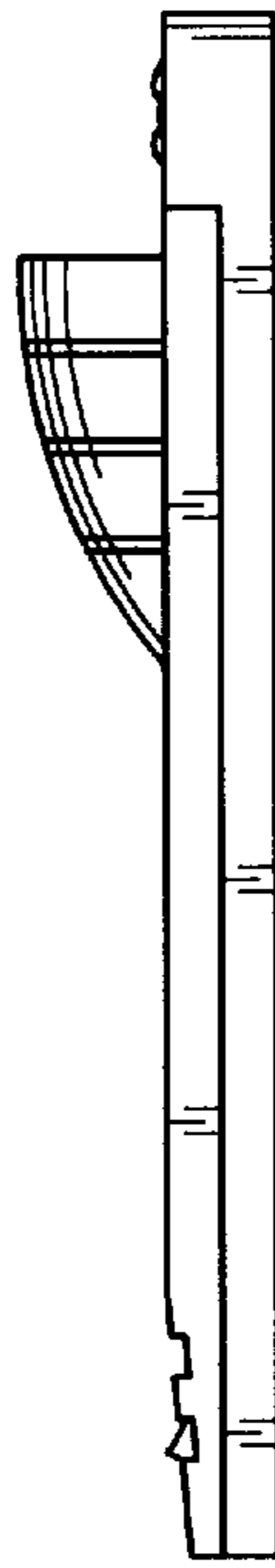
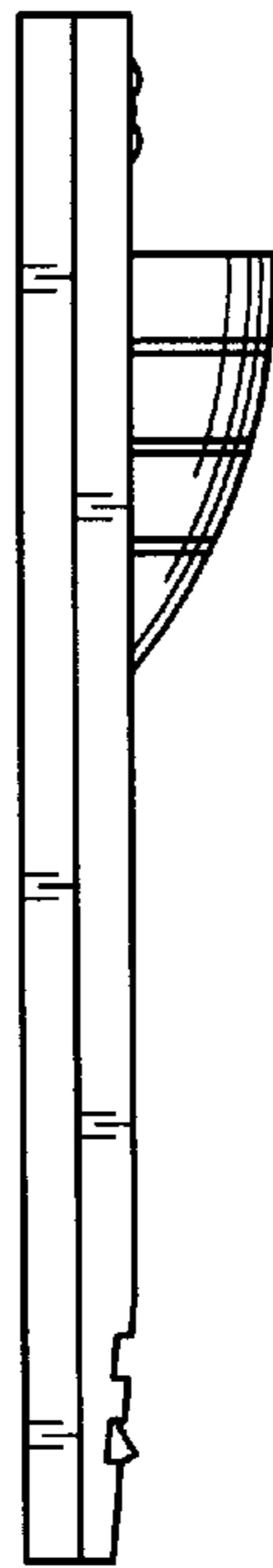


FIG. 4



**FIG. 5**



**FIG. 6**