



US00D414772S

United States Patent [19] Adelaar

[11] **Patent Number: Des. 414,772**

[45] **Date of Patent: ** Oct. 5, 1999**

[54] **CAR AUDIO SET COVERING**

[76] Inventor: **Antonius Jacobus Adelaar**, Panoven
48, 3401 R.B. Ijsselstein (u),
Netherlands

[**] Term: **14 Years**

[21] Appl. No.: **29/064,088**

[22] Filed: **Dec. 11, 1996**

[51] **LOC (6) Cl.** **14-99**

[52] **U.S. Cl.** **D14/217; D14/258**

[58] **Field of Search** D14/136, 156-157,
D14/217, 257, 258, 265, 299; D12/187,
400; 312/7.1; 369/75.1, 75.2, 77.1, 77.2;
455/344-349

[56] **References Cited**

U.S. PATENT DOCUMENTS

D. 268,665 4/1983 Sharp D12/187
D. 366,048 1/1996 Tokiyama et al. D14/258

4,031,772 6/1977 DeCatri D12/187 X
4,562,595 12/1985 Bauer et al. D14/258 X
5,004,634 4/1991 Anthony D14/258 X

Primary Examiner—Nanda Bondade
Attorney, Agent, or Firm—Lahive & Cockfield, LLP

[57] **CLAIM**

The ornamental design for a car audio set covering, as shown and described.

DESCRIPTION

FIG. 1 is a front, left-side perspective view of a car audio set covering showing my new design;
FIG. 2 is a rear, left-side perspective view thereof;
FIG. 3 is a front elevational view thereof;
FIG. 4 is a rear elevational view thereof;
FIG. 5 is a top plan view thereof; and,
FIG. 6 is a left-side elevational view thereof, the right side being a mirror image thereof.

1 Claim, 2 Drawing Sheets

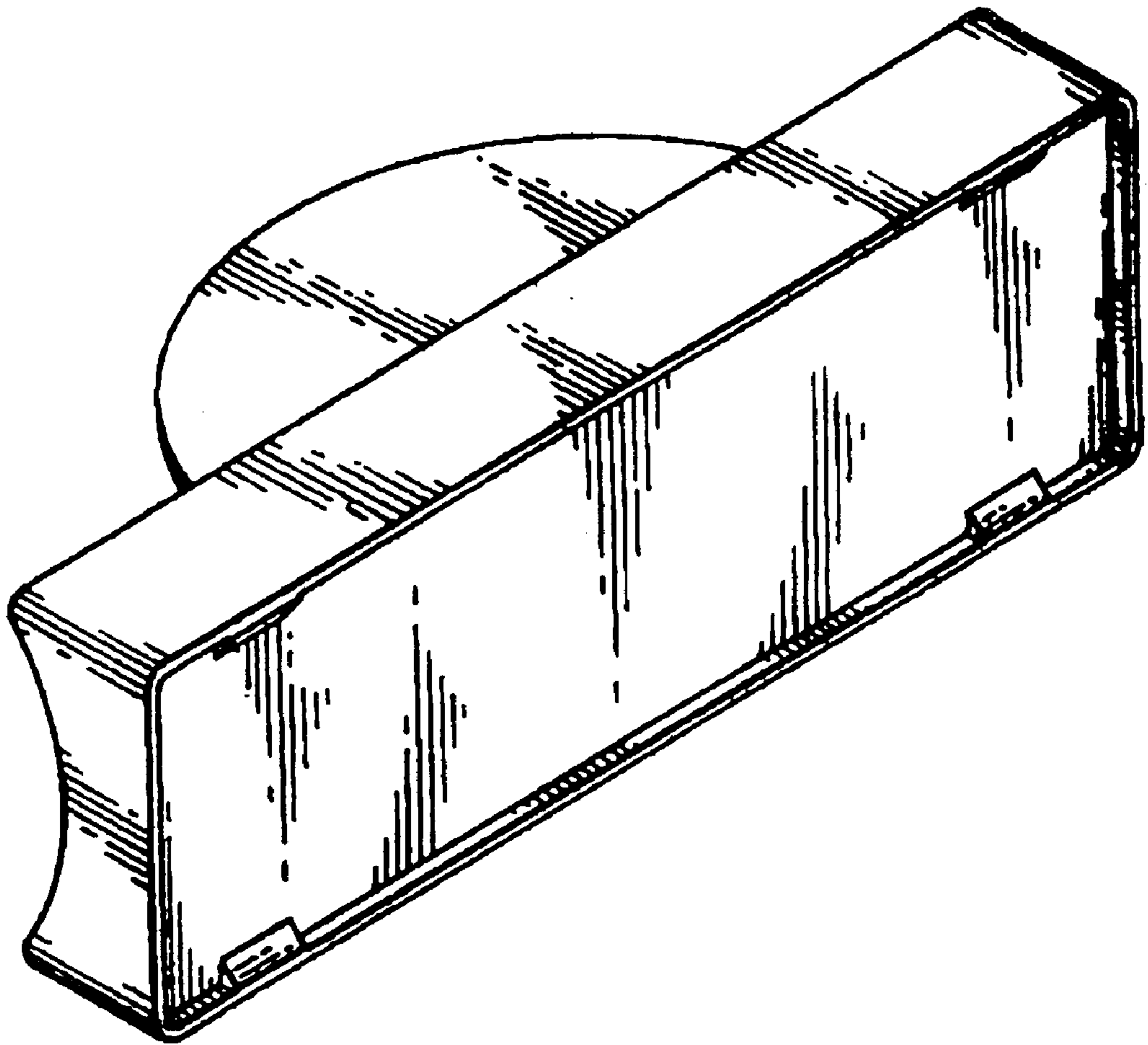


FIG. 1

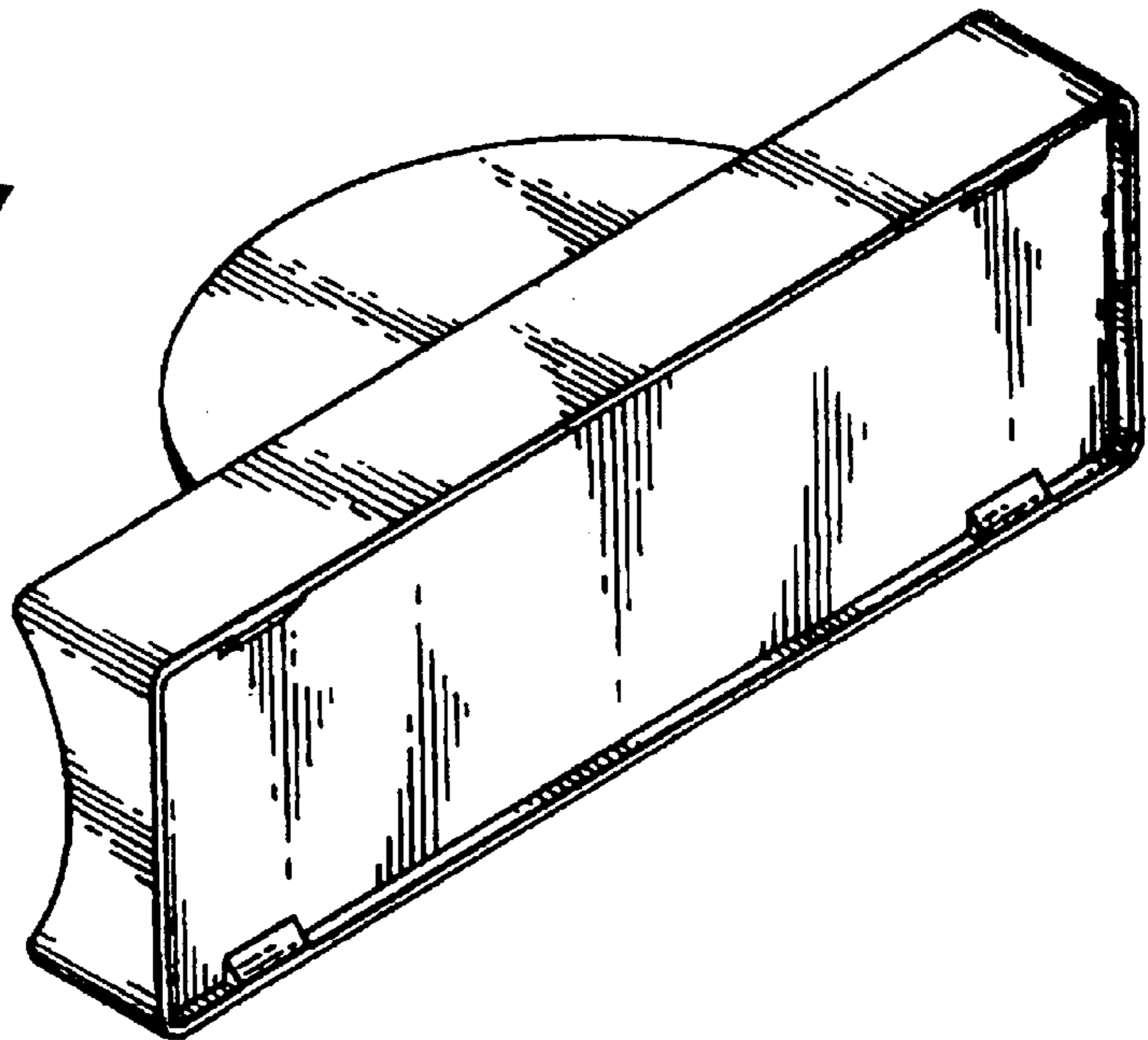
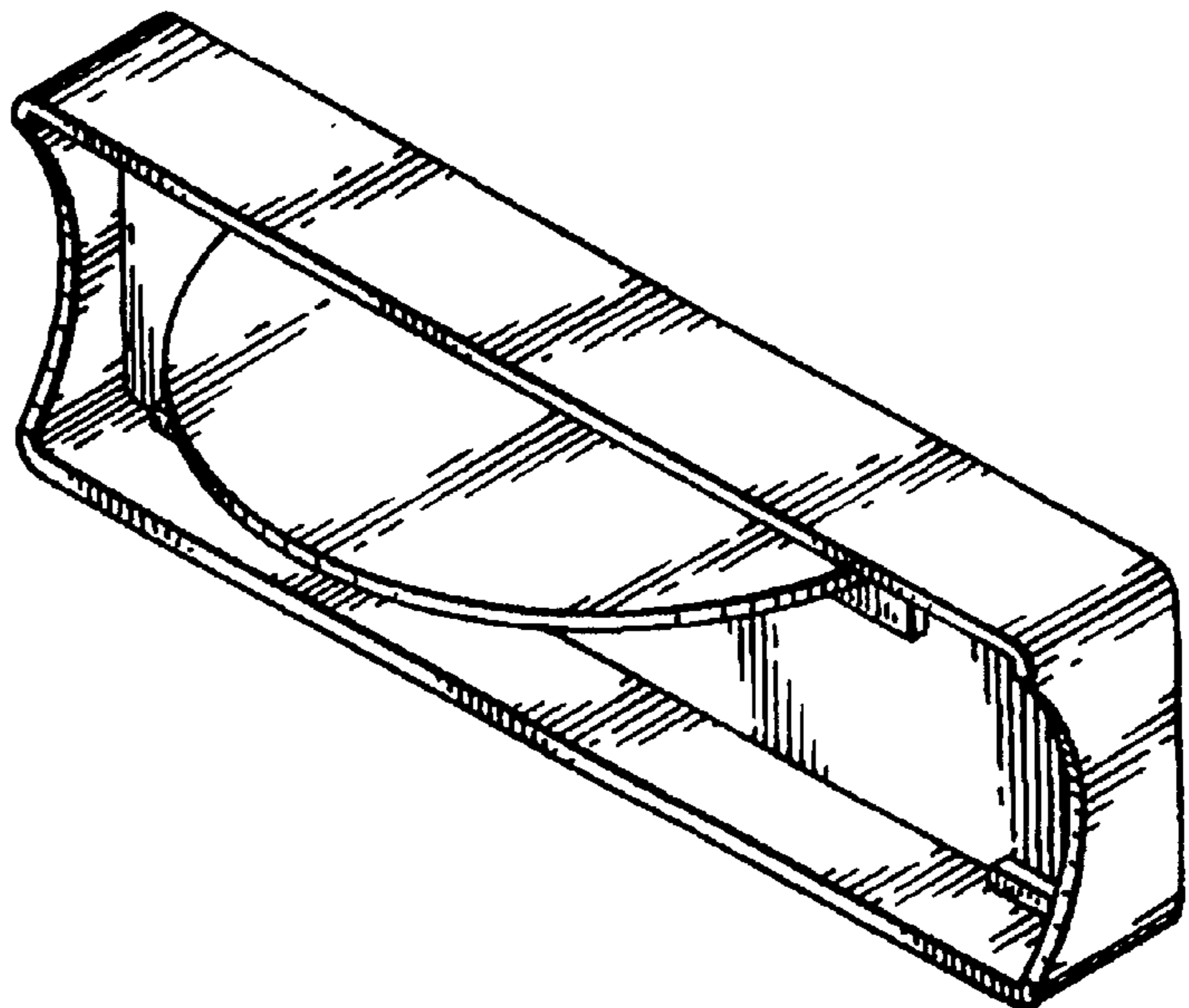


FIG. 2



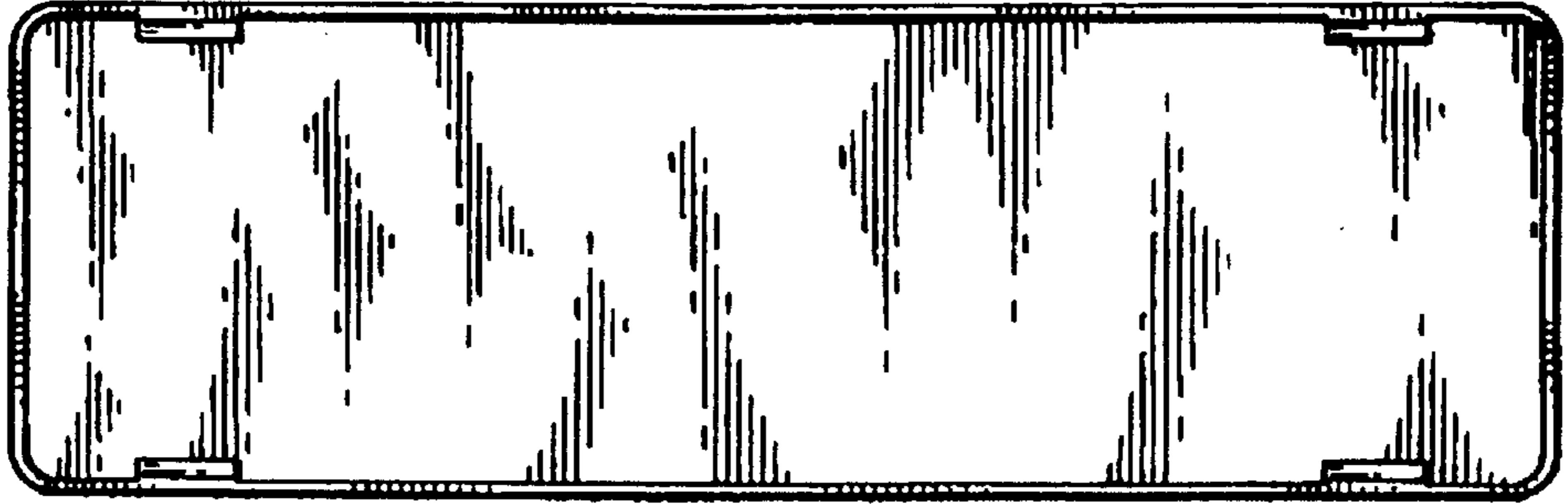


FIG. 3

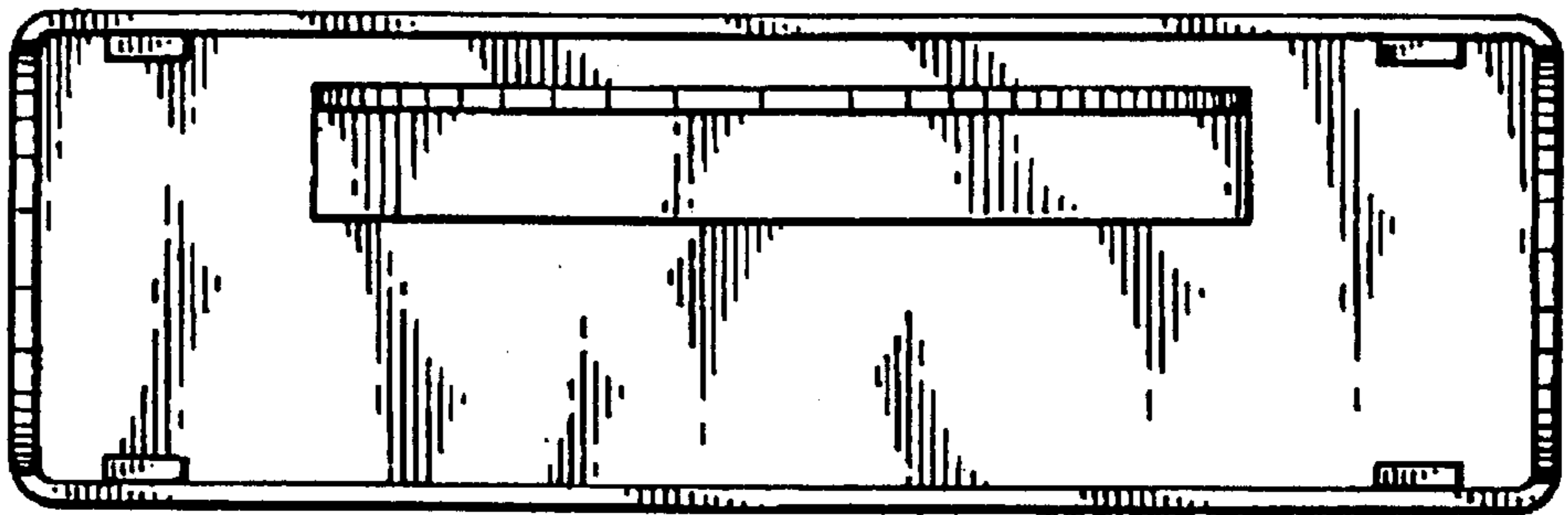


FIG. 4

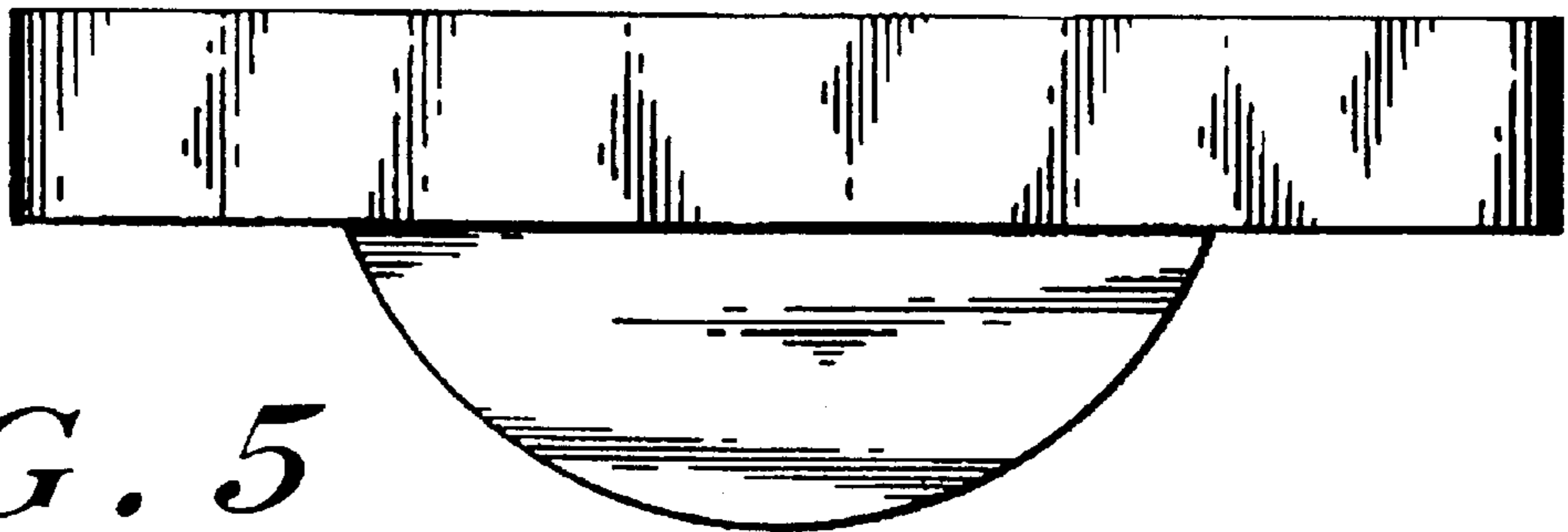


FIG. 5

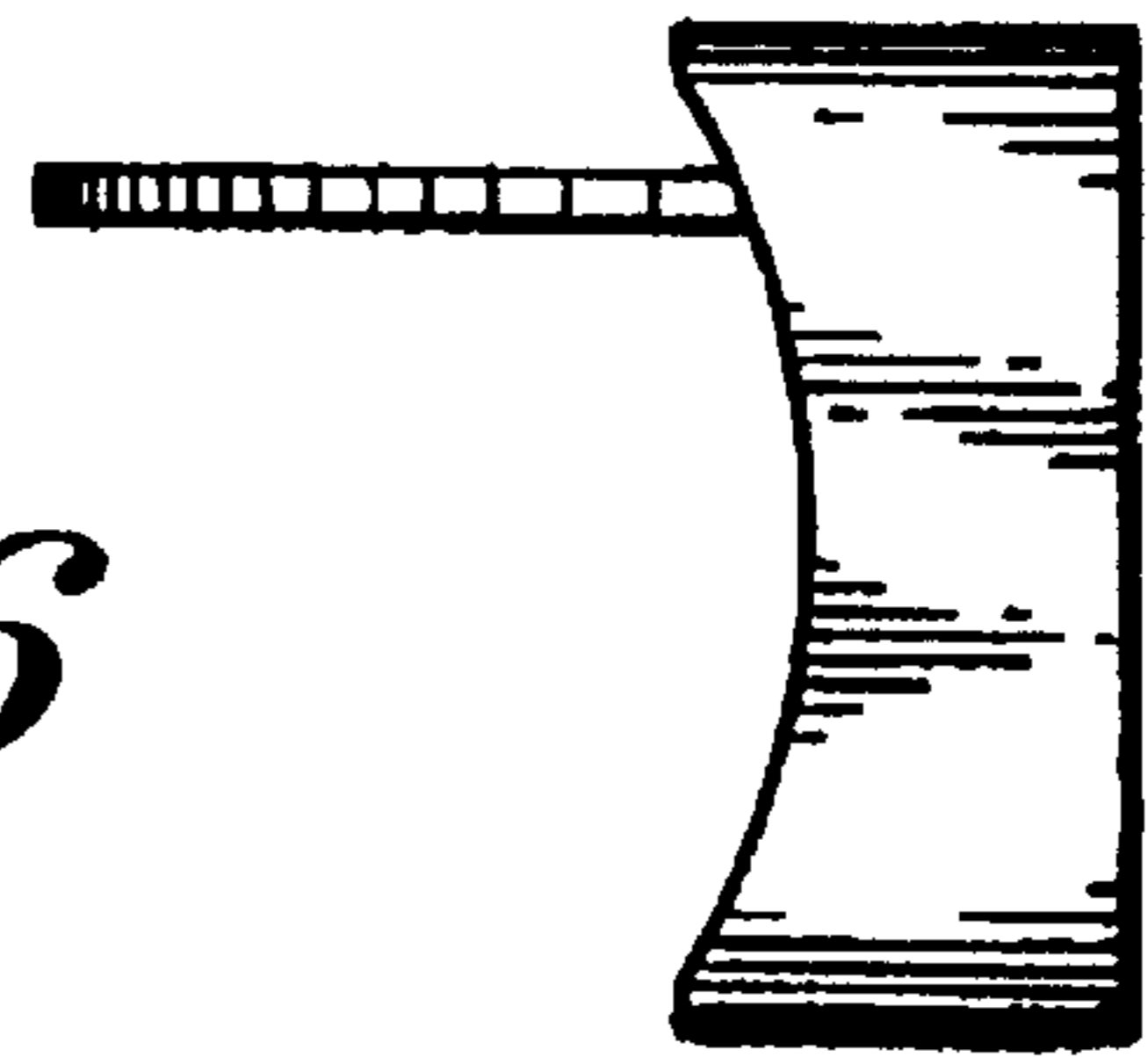


FIG. 6