



US00D414771S

United States Patent [19]

Hoyt et al.

[11] **Patent Number: Des. 414,771**

[45] **Date of Patent: ** Oct. 5, 1999**

[54] **WOOFER**

[75] Inventors: **Joshua King Hoyt**, Los Gatos; **Henry Chin**, San Jose, both of Calif.

[73] Assignee: **Sonigistix Corporation**, British Columbia, Canada

[**] Term: **14 Years**

[21] Appl. No.: **29/093,067**

[22] Filed: **Sep. 2, 1998**

[51] **LOC (6) Cl.** **14-01**

[52] **U.S. Cl.** **D14/214**

[58] **Field of Search** D14/204, 209-216; 181/144, 145, 147, 148, 150, 157, 198, 199; 381/24, 88, 90, 91, 153, 159, 186, 188

[56] **References Cited**

U.S. PATENT DOCUMENTS

- D. 282,657 2/1986 Caren D14/212 X
- D. 343,676 1/1994 Lim D14/214 X
- D. 360,636 7/1995 Sasage et al. D14/214

- D. 382,877 8/1997 Cheng D14/214
- 3,073,203 1/1963 Evans D14/214 X
- 3,143,182 8/1964 Sears et al. 181/153

OTHER PUBLICATIONS

Schoner Wohnen, p. 92, Subwoofer, Sep. 1987.

Primary Examiner—Nanda Bondade
Attorney, Agent, or Firm—Dowell & Dowell, P.C.

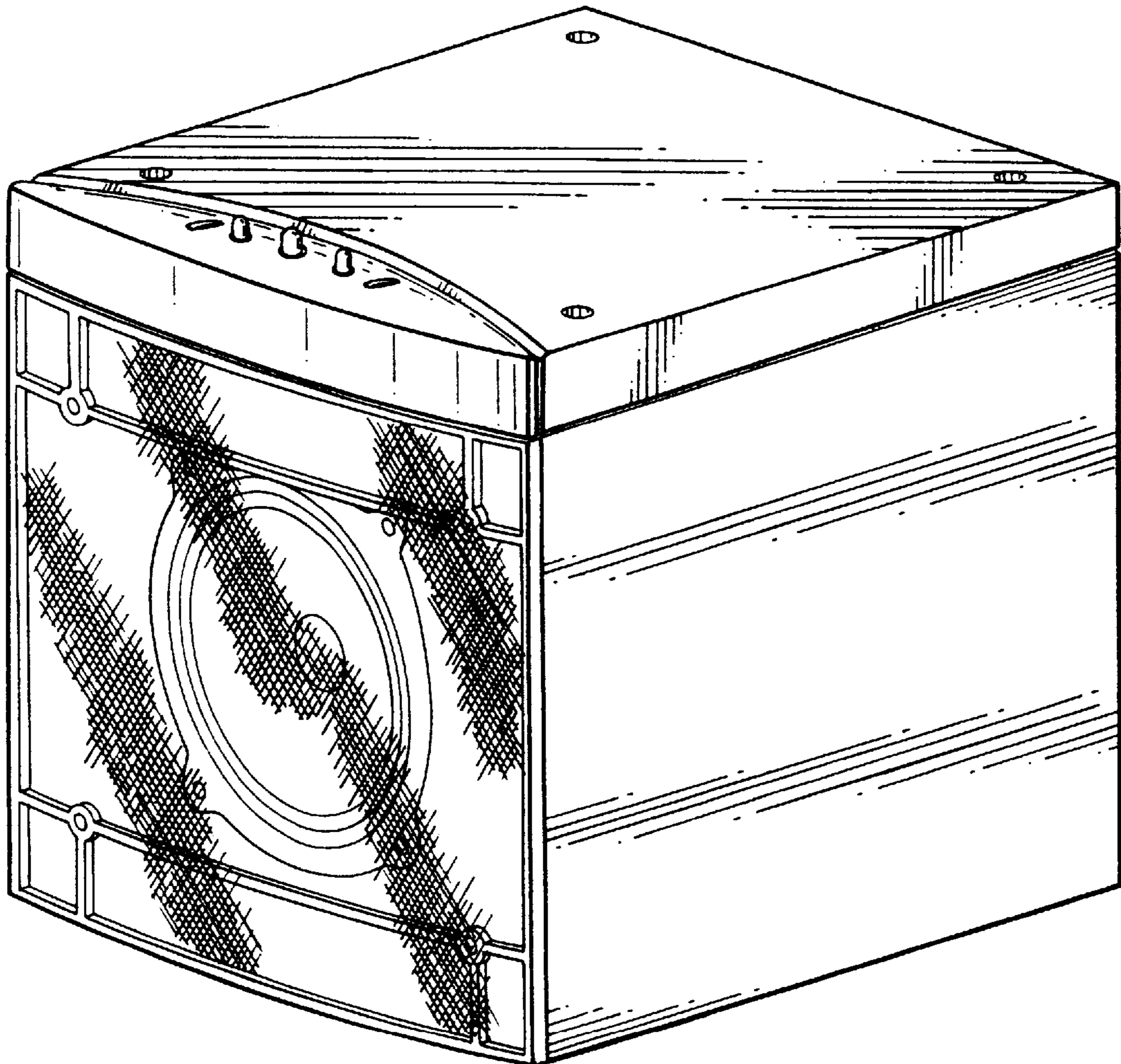
[57] **CLAIM**

The ornamental design for a woofer, as shown and described.

DESCRIPTION

FIG. 1 is a front perspective view of a woofer showing our new design;
FIG. 2 is a rear perspective view thereof;
FIG. 3 is a front elevational view thereof;
FIG. 4 is a rear elevational view thereof;
FIG. 5 is a right side view, a view from the left side being a mirror image; and,
FIG. 6 is a top plan view thereof.

1 Claim, 4 Drawing Sheets



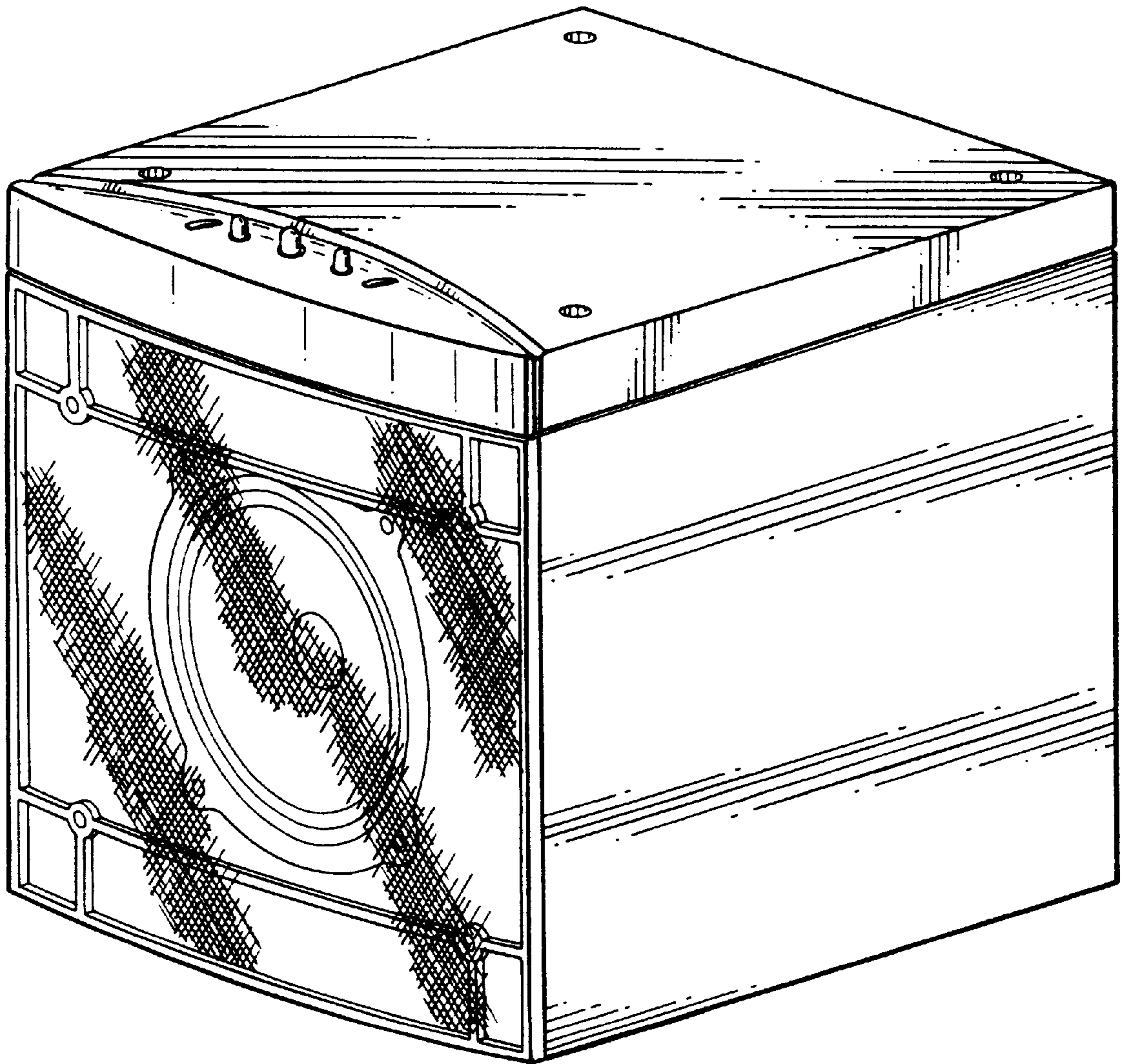


FIG. 1

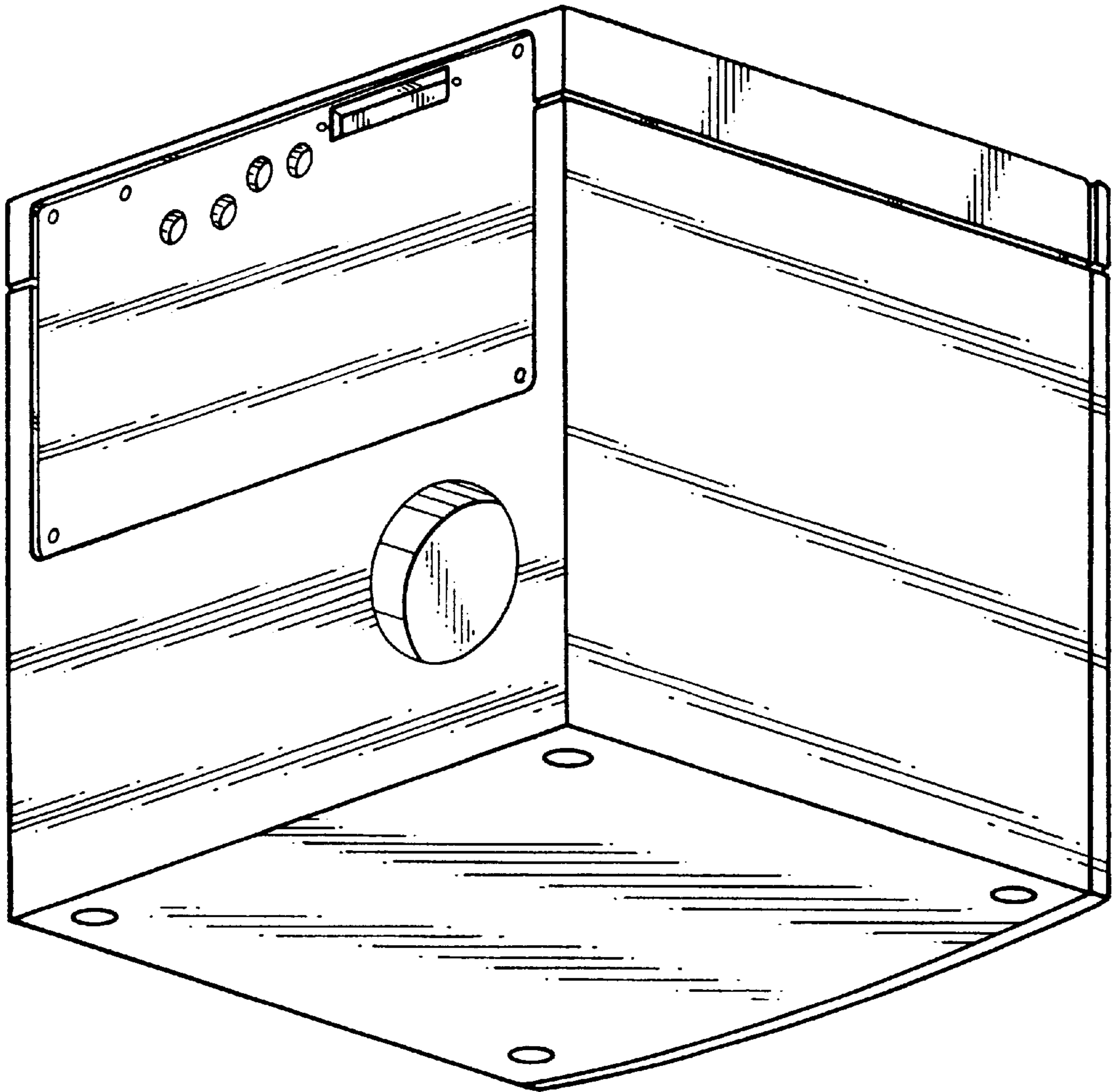


FIG. 2

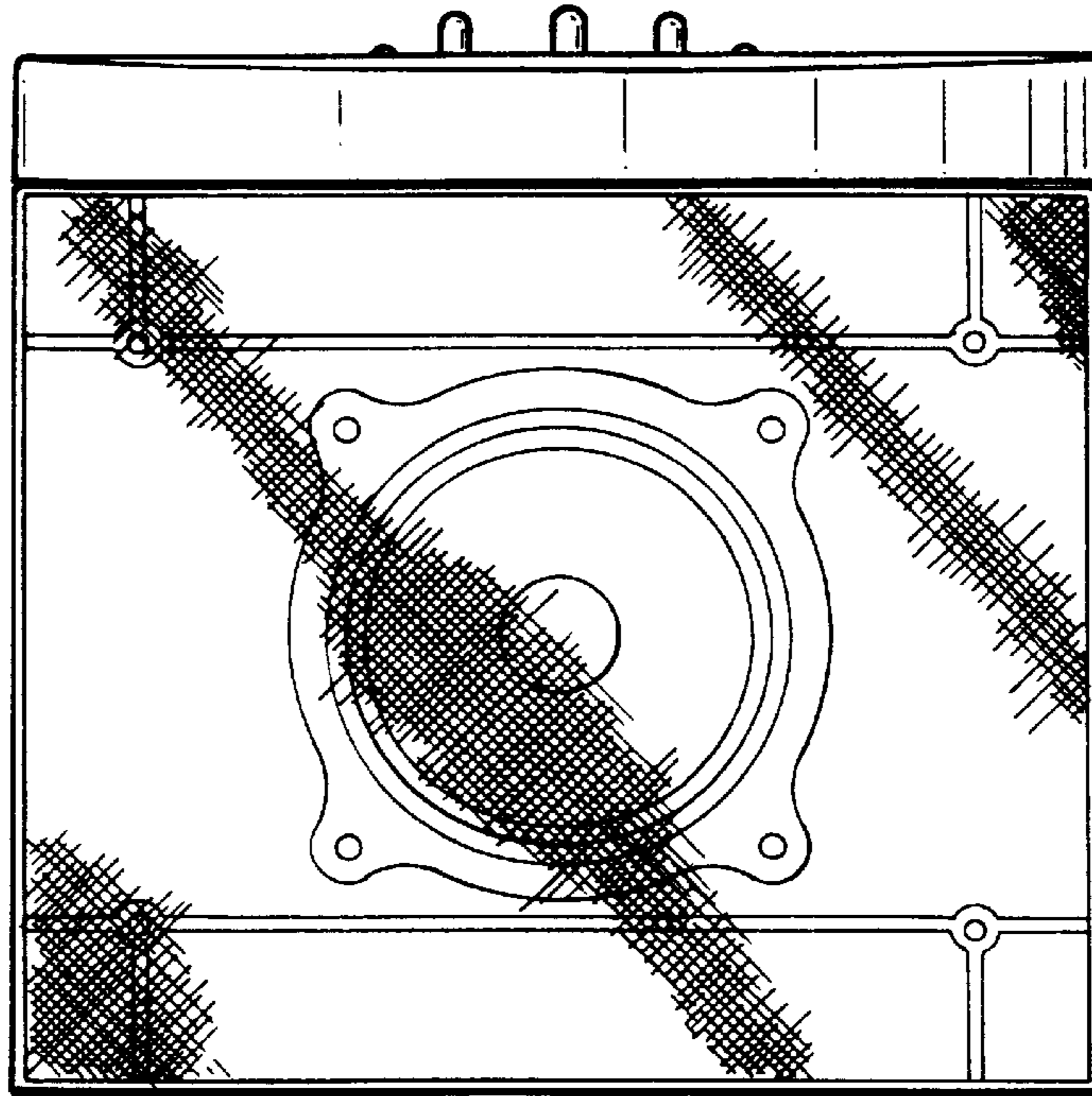
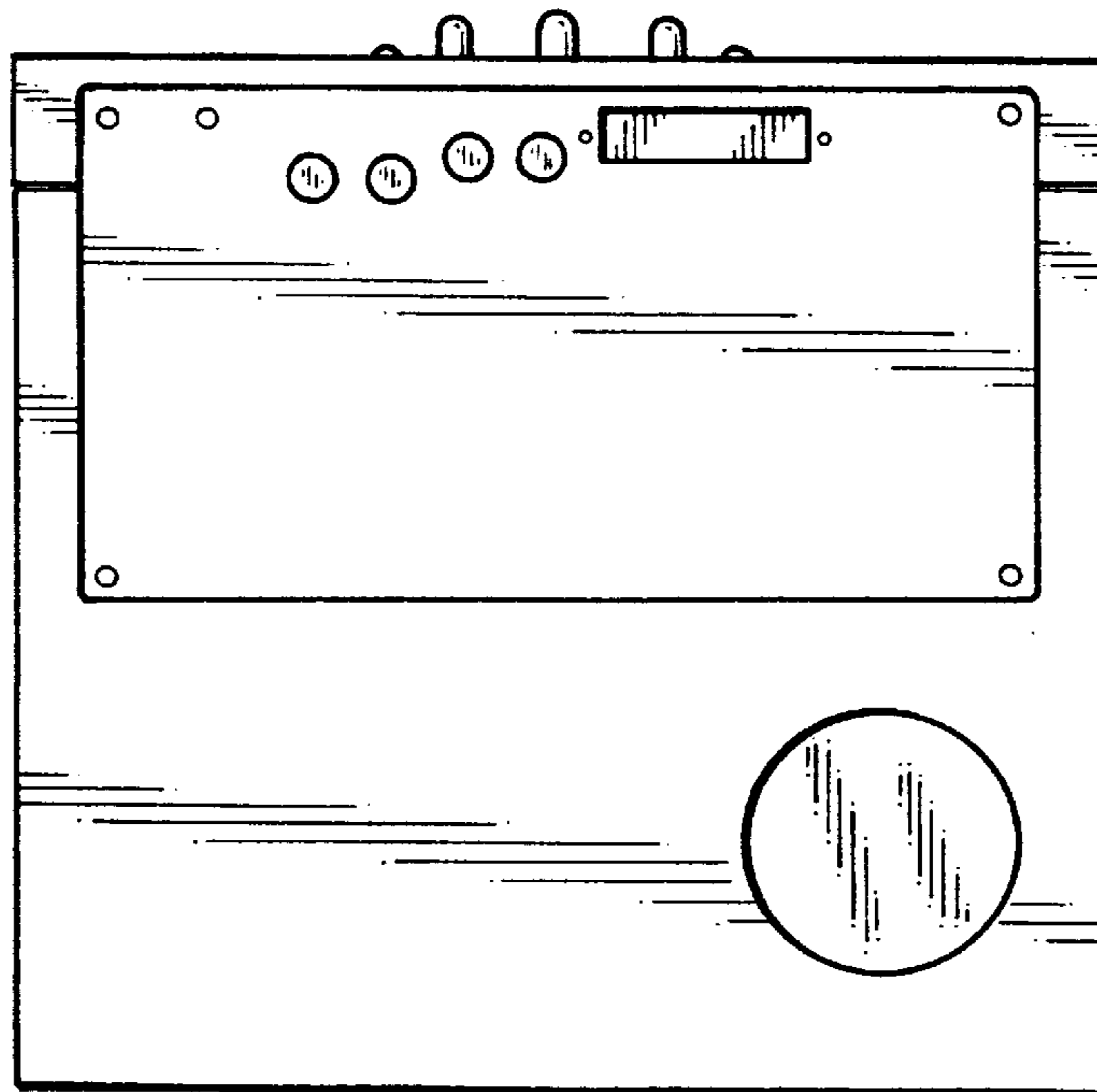


FIG. 3

FIG. 4



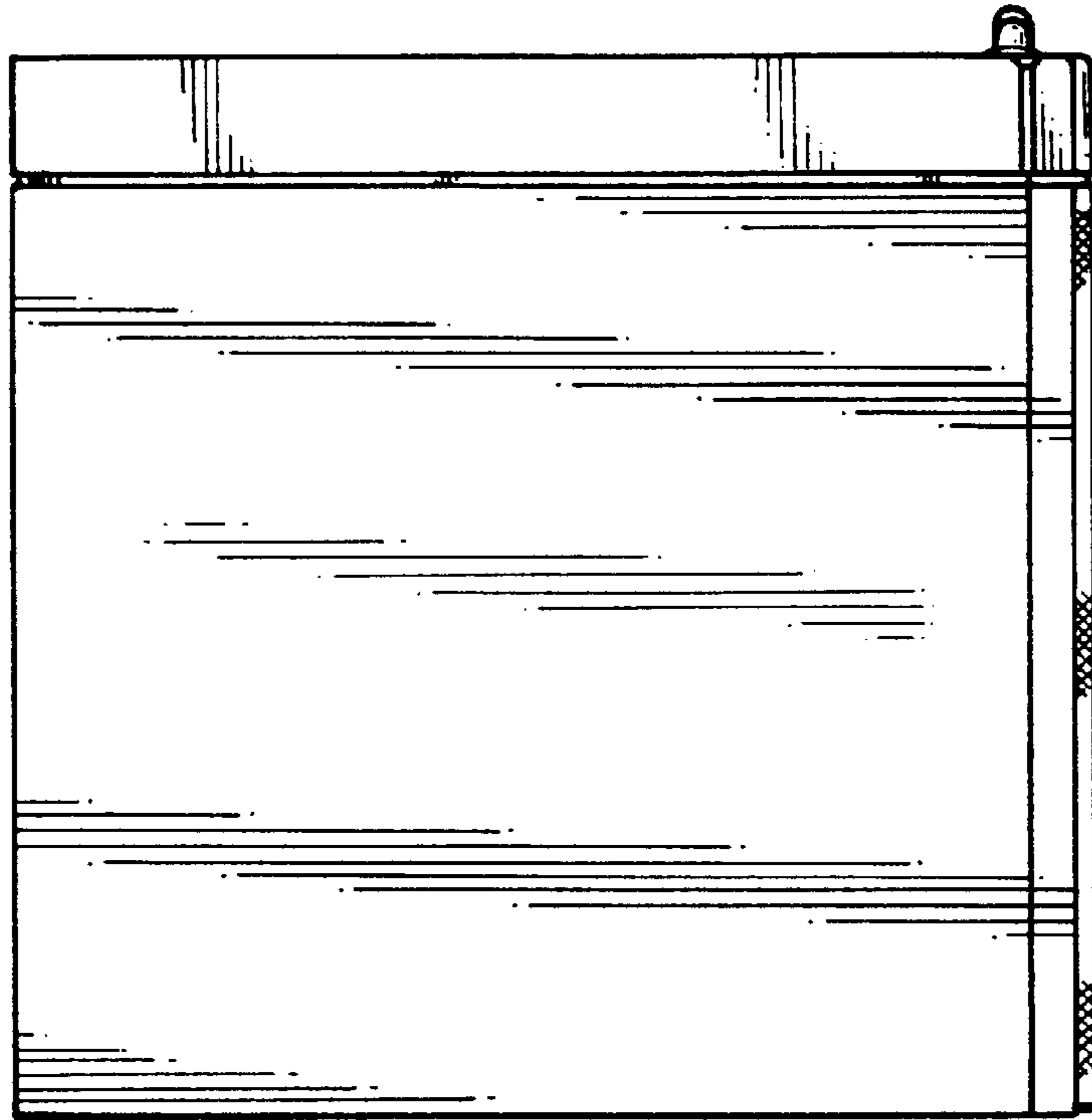


FIG. 5

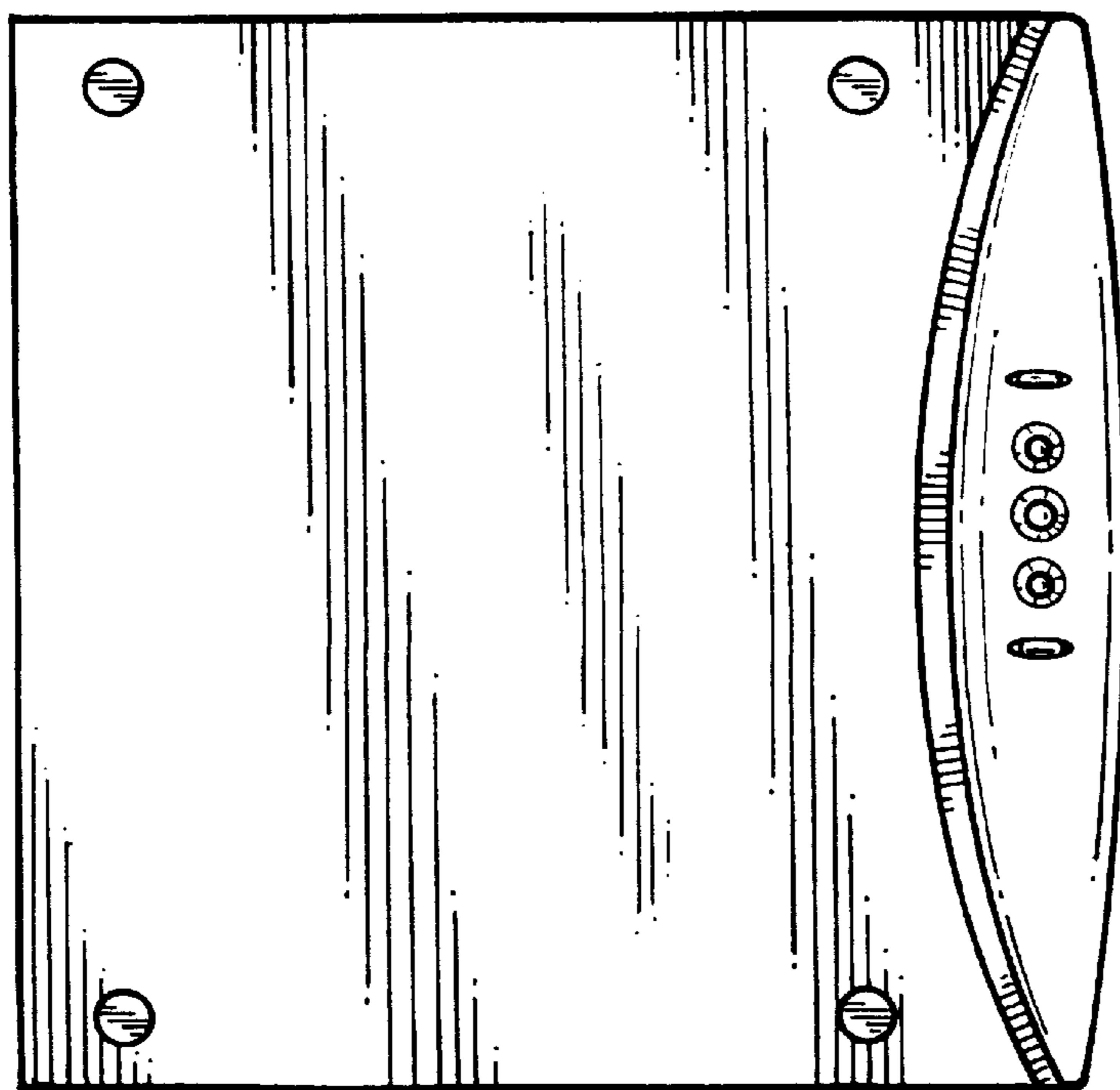


FIG. 6