



US00D414768S

United States Patent [19]

Ito et al.

[11] **Patent Number: Des. 414,768**

[45] **Date of Patent: ** Oct. 5, 1999**

[54] **TAPE RECORDER**

[75] Inventors: **Masafumi Ito; Shigeru Hasegawa,**
both of Musashino, Japan

[73] Assignee: **Teac Corporation,** Tokyo, Japan

[**] Term: **14 Years**

[21] Appl. No.: **29/091,793**

[22] Filed: **Aug. 5, 1998**

[30] **Foreign Application Priority Data**

Feb. 9, 1998 [JP] Japan 10-3410

[51] **LOC (6) Cl.** **14-01**

[52] **U.S. Cl.** **D14/164**

[58] **Field of Search** D14/160-164,
D14/167-168, 188, 197, 198, 257, 258,
260, 265; 455/334, 337, 350, 351

[56] **References Cited**

U.S. PATENT DOCUMENTS

D. 312,825 12/1990 Ito et al. D14/161 X

D. 319,237 8/1991 Ito et al. D14/161 X
D. 321,192 10/1991 Ito et al. D14/162
D. 384,349 9/1997 Ito et al. D14/164

Primary Examiner—Nanda Bondade
Attorney, Agent, or Firm—Ladas & Parry

[57] **CLAIM**

The ornamental design for a tape recorder, as shown and described.

DESCRIPTION

FIG. 1 is a perspective view of a tape recorder showing our new design;
FIG. 2 is a front view thereof;
FIG. 3 is a rear view thereof;
FIG. 4 is a top view thereof;
FIG. 5 is a bottom view thereof;
FIG. 6 is a right side view thereof; and,
FIG. 7 is a left side view thereof.

1 Claim, 3 Drawing Sheets

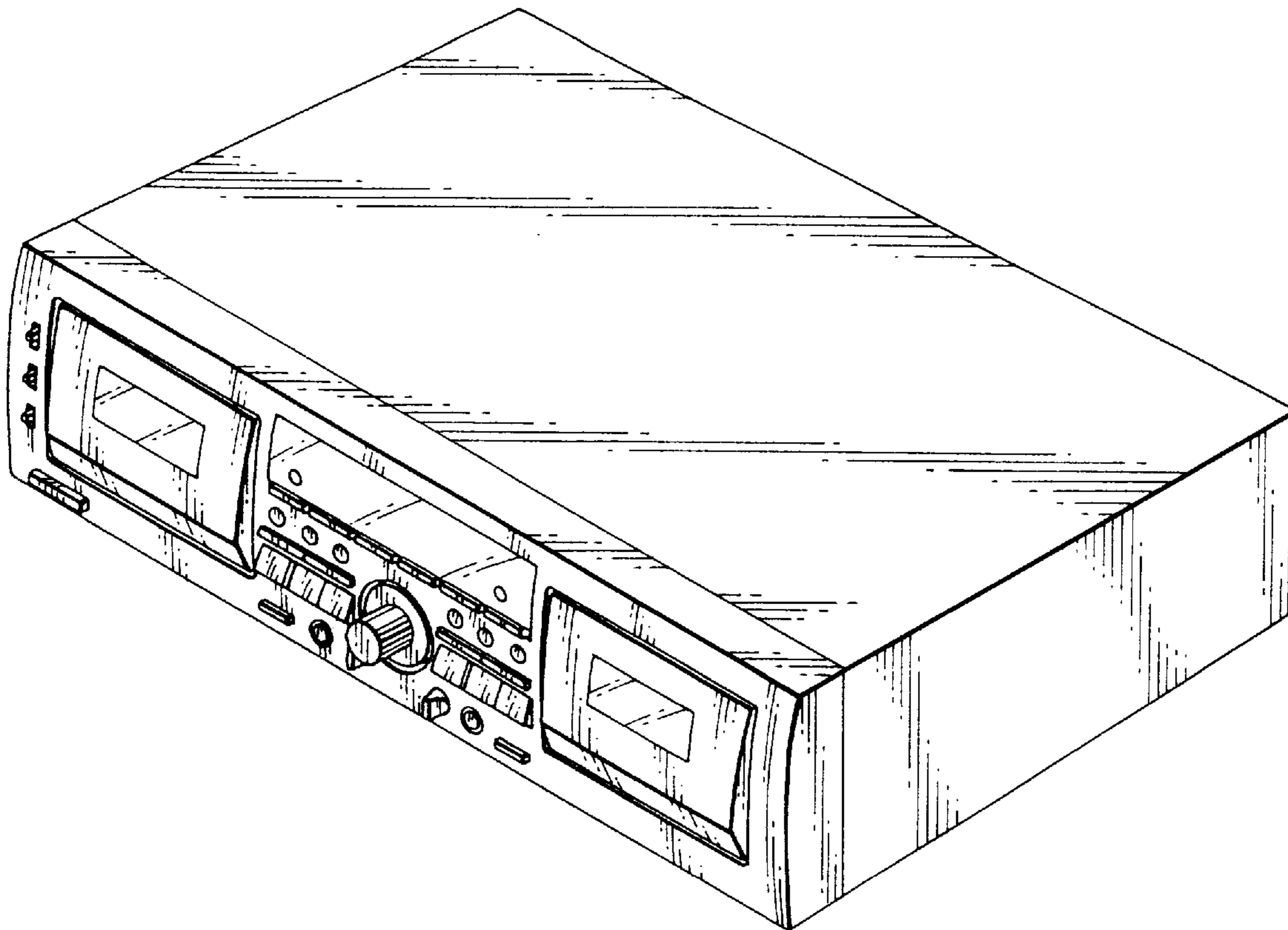


FIG. 1

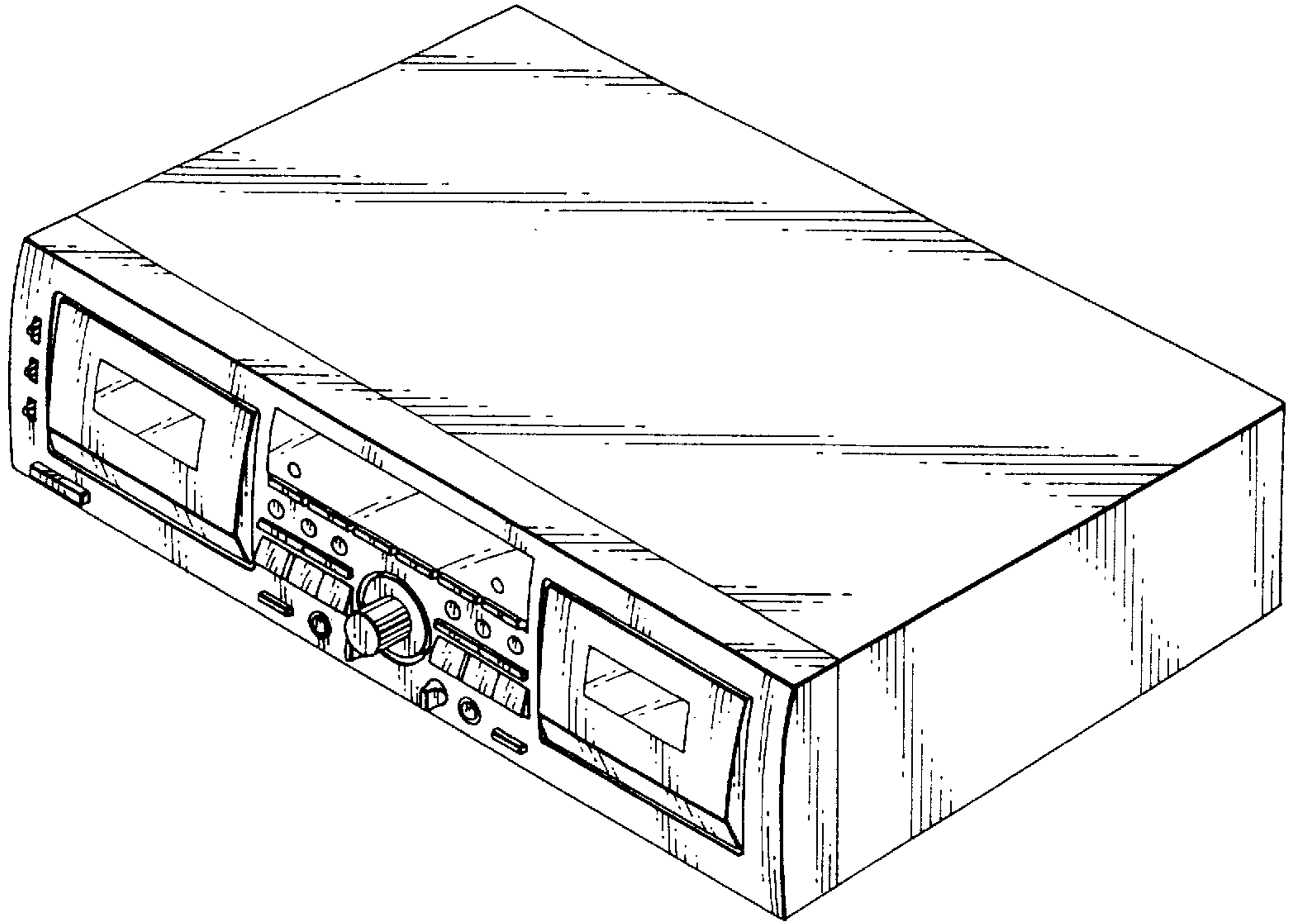


FIG. 2

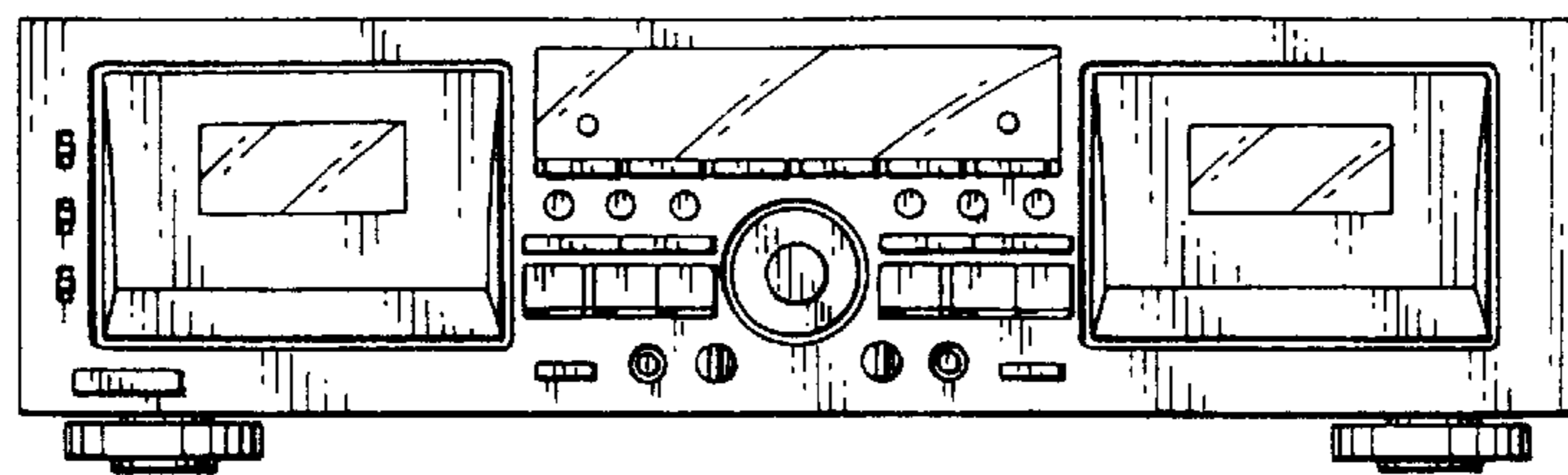


FIG. 3

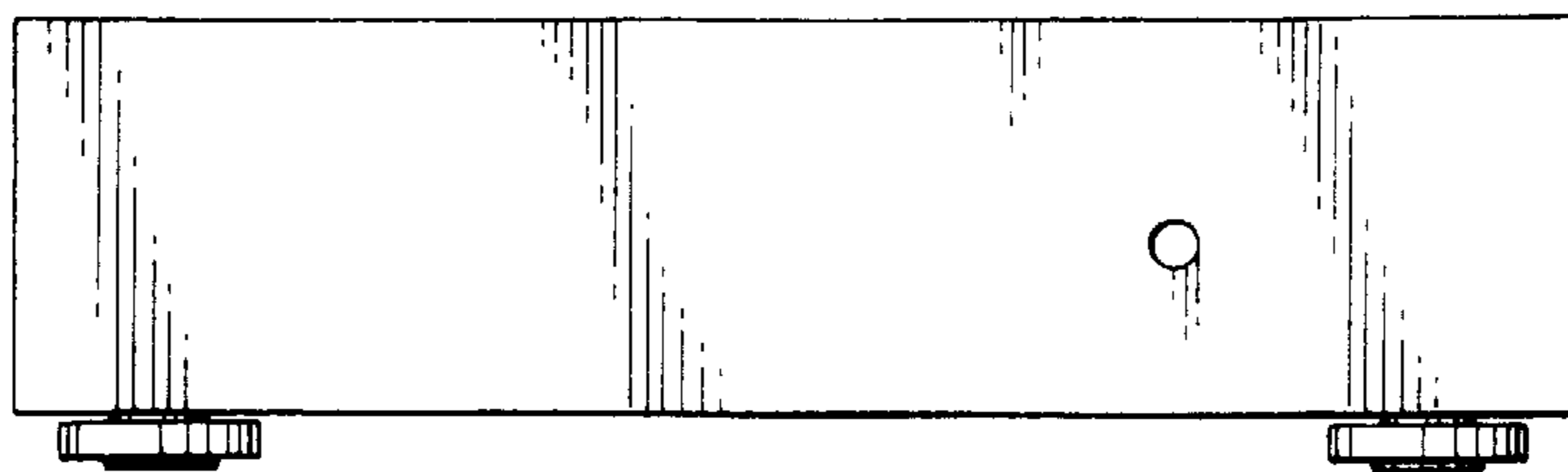


FIG. 4

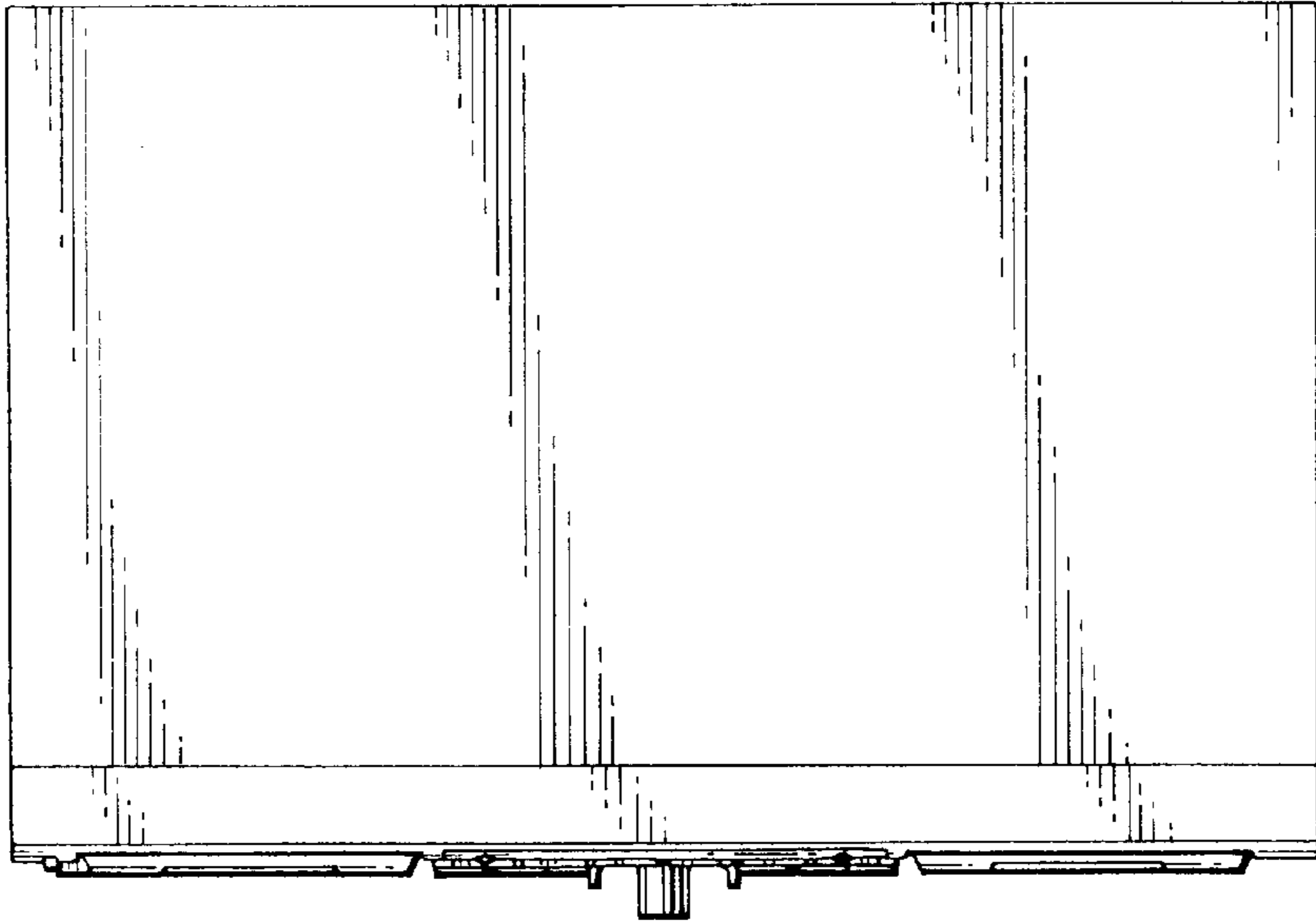


FIG. 5

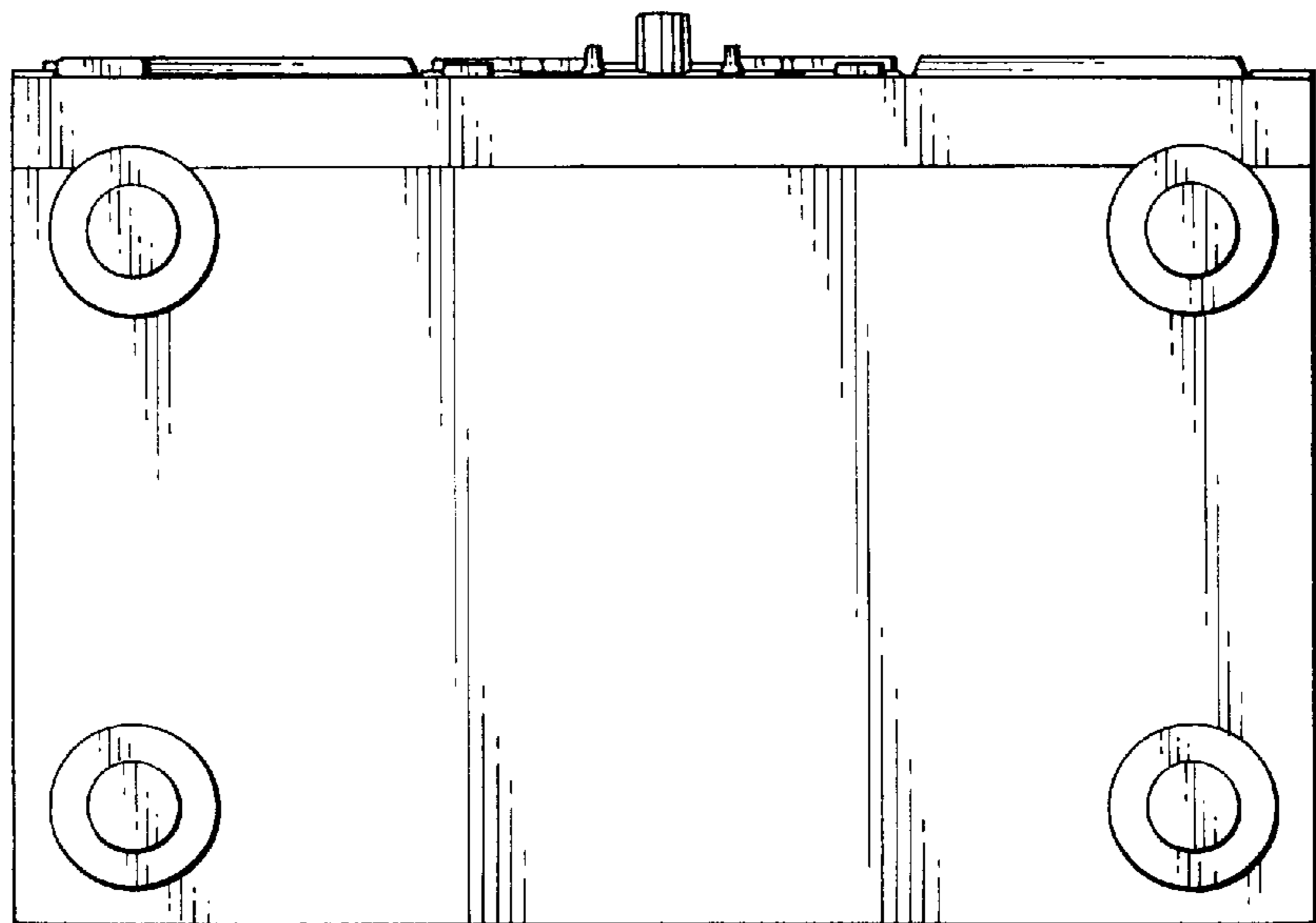


FIG. 6

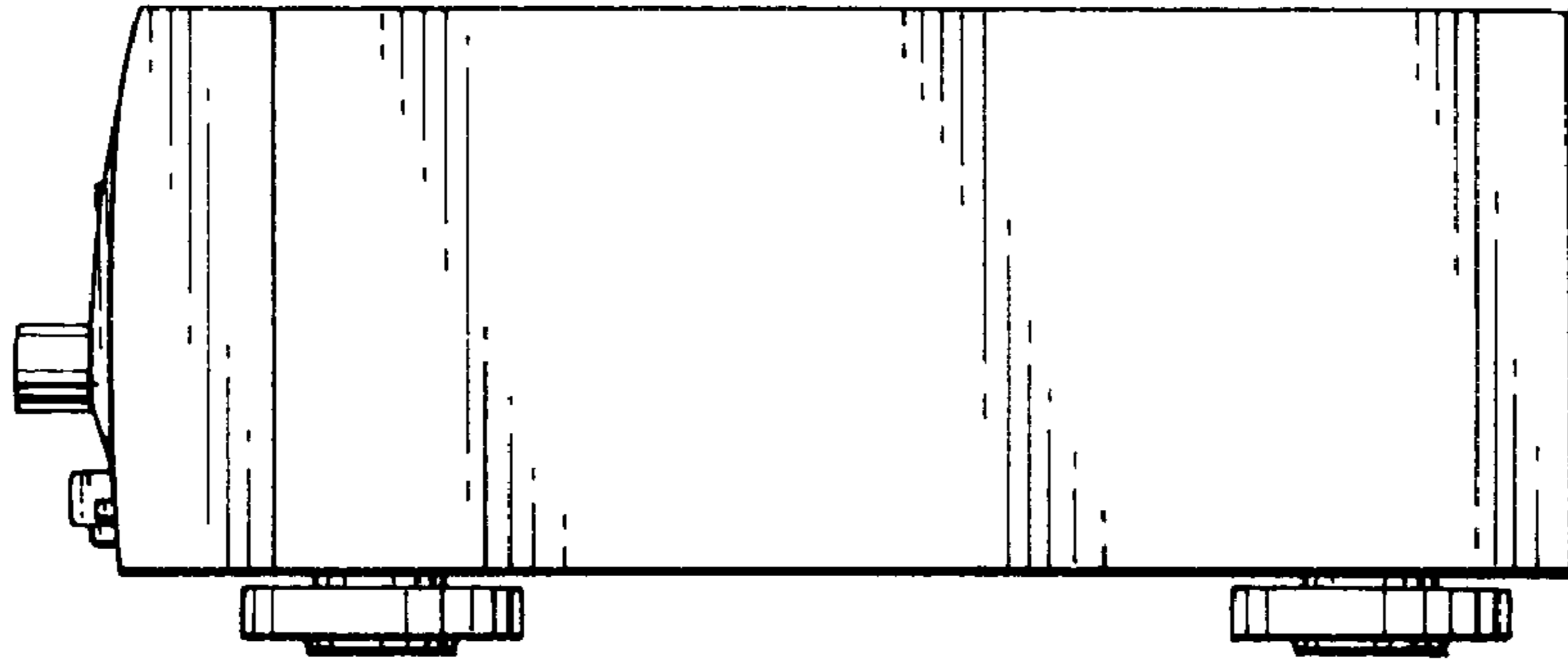


FIG. 7

