



US00D414763S

United States Patent [19]
Iftikar

[11] **Patent Number: Des. 414,763**
[45] **Date of Patent: ** Oct. 5, 1999**

[54] **VIDEO AND COMPUTER DATA RECORDER**

[75] Inventor: **Syed H. Iftikar**, Pleasanton, Calif.
[73] Assignee: **Castlewood Systems, Inc.**, Milpitas, Calif.
[**] Term: **14 Years**

[21] Appl. No.: **29/081,927**
[22] Filed: **Nov. 14, 1997**

[51] **LOC (6) Cl.** **14-03**
[52] **U.S. Cl.** **D14/125; D14/107; D14/109**
[58] **Field of Search** **D14/107, 109, D14/124, 125, 156, 167; 369/75.1, 77.2**

[56] **References Cited**

U.S. PATENT DOCUMENTS

D. 341,591	11/1993	Nakamura	D14/156
D. 359,287	6/1995	Heberling et al.	D14/107 X
D. 359,852	7/1995	Wicks	D14/109
D. 360,197	7/1995	Ikenaga	D14/107
D. 375,728	11/1996	Nicklos et al.	D14/114
D. 377,008	12/1996	Nicklos et al.	D14/100
D. 380,199	6/1997	Beruscha et al.	D14/125 X
5,617,397	4/1997	Jones et al.	369/772

Primary Examiner—Ted Shooman
Assistant Examiner—Richelle Shelton
Attorney, Agent, or Firm—Townsend and Townsend and Crew LLP

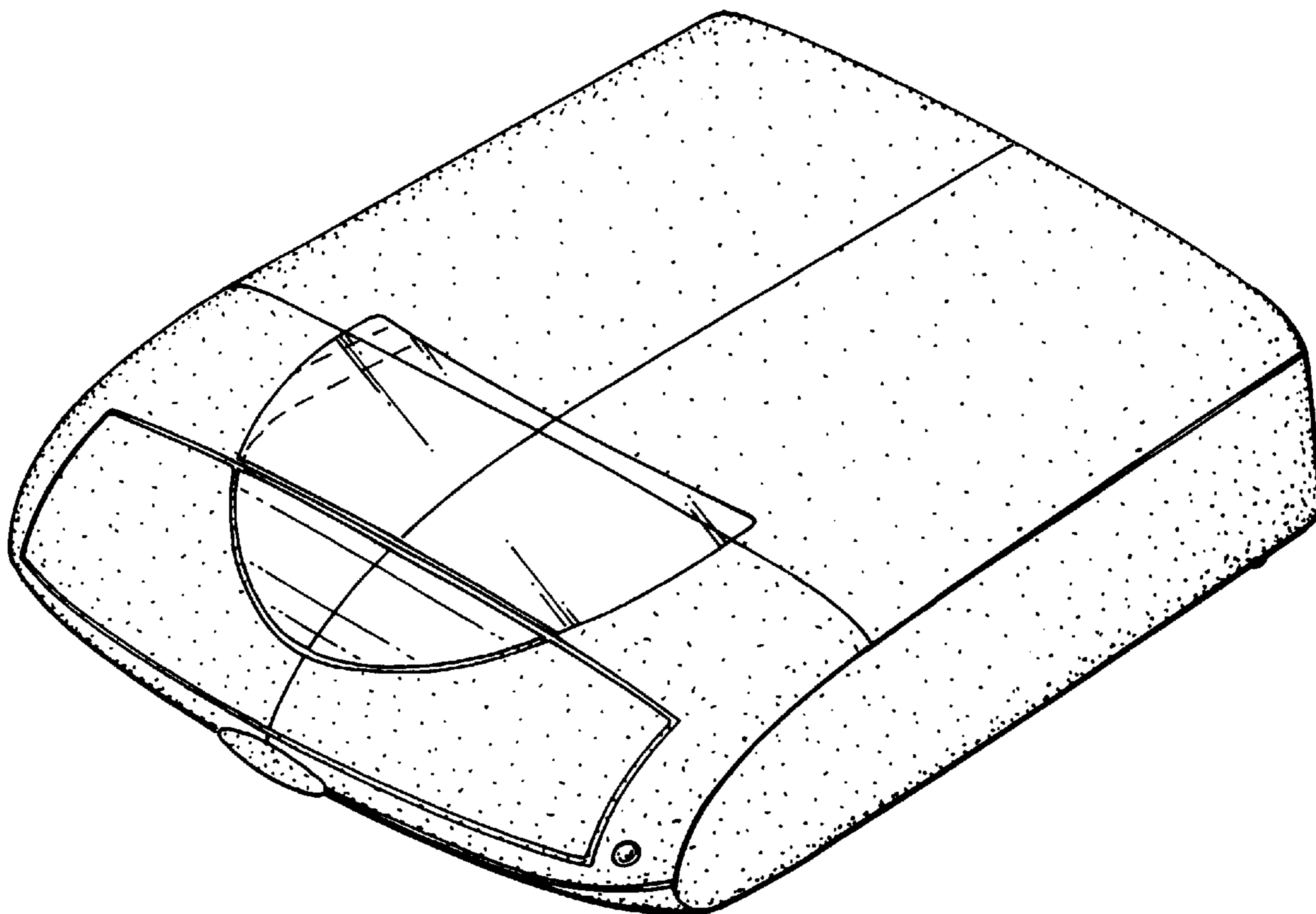
[57] **CLAIM**

The ornamental design for a video and computer data recorder, as shown and described.

DESCRIPTION

FIG. 1 is a perspective view from above of a video and computer data recorder showing my new design; FIG. 2 is a top plan view thereof; FIG. 3 is a front elevational view thereof; FIG. 4 is a right side elevational view thereof; FIG. 5 is a right side elevational view thereof, with an open door; FIG. 6 is a rear elevational view thereof; FIG. 7 is a bottom plan view thereof; and, FIG. 8 is a perspective view of a second embodiment of the video and computer data recorder with lighting surrounding the recording cartridge window, the other views being substantially the same as the first embodiment with the exception of the absence of the front, right side button. The broken line showing in Fig. 1 is for illustrative purposes only and forms no part of the claimed design.

1 Claim, 4 Drawing Sheets



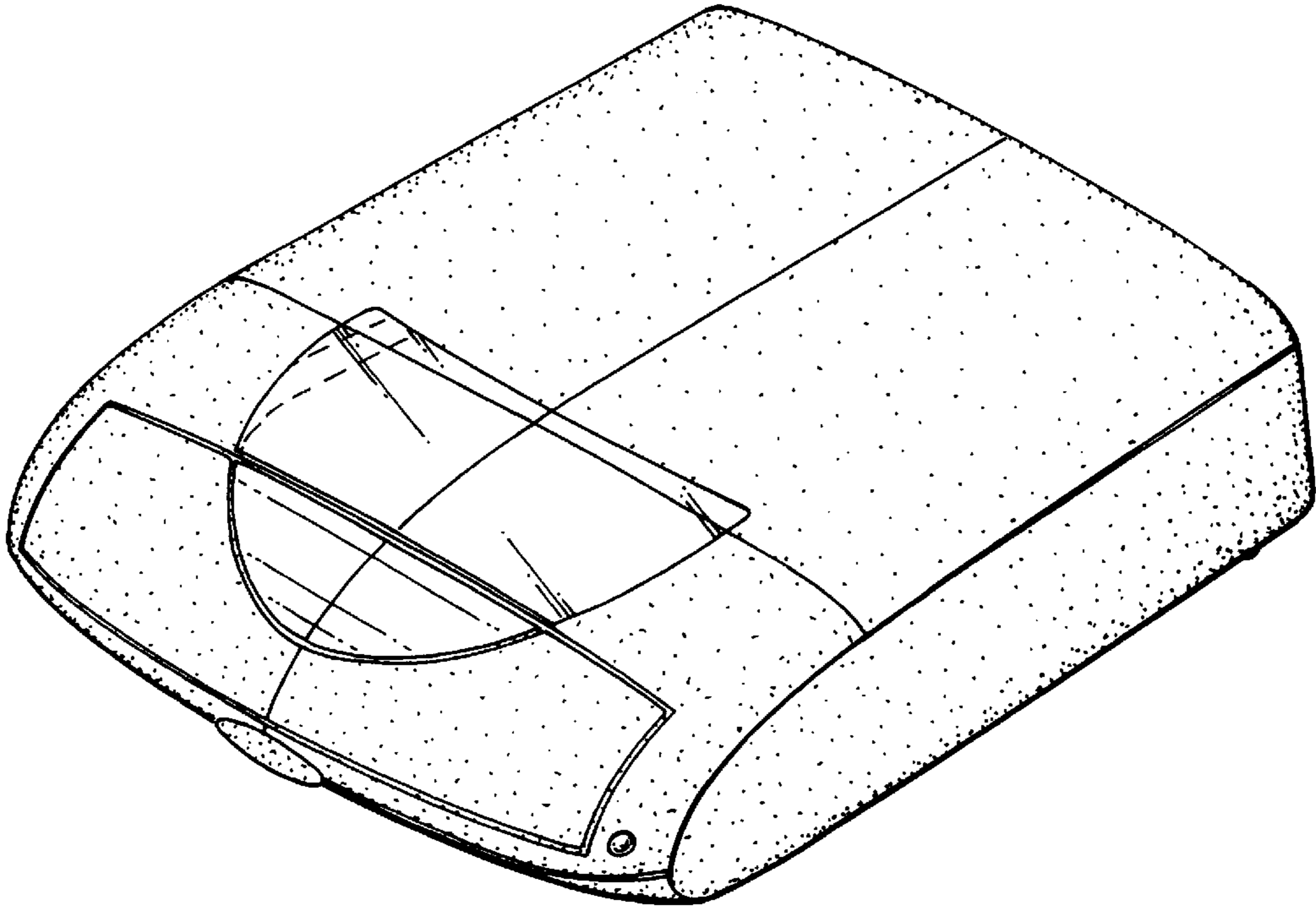


FIG. 1.

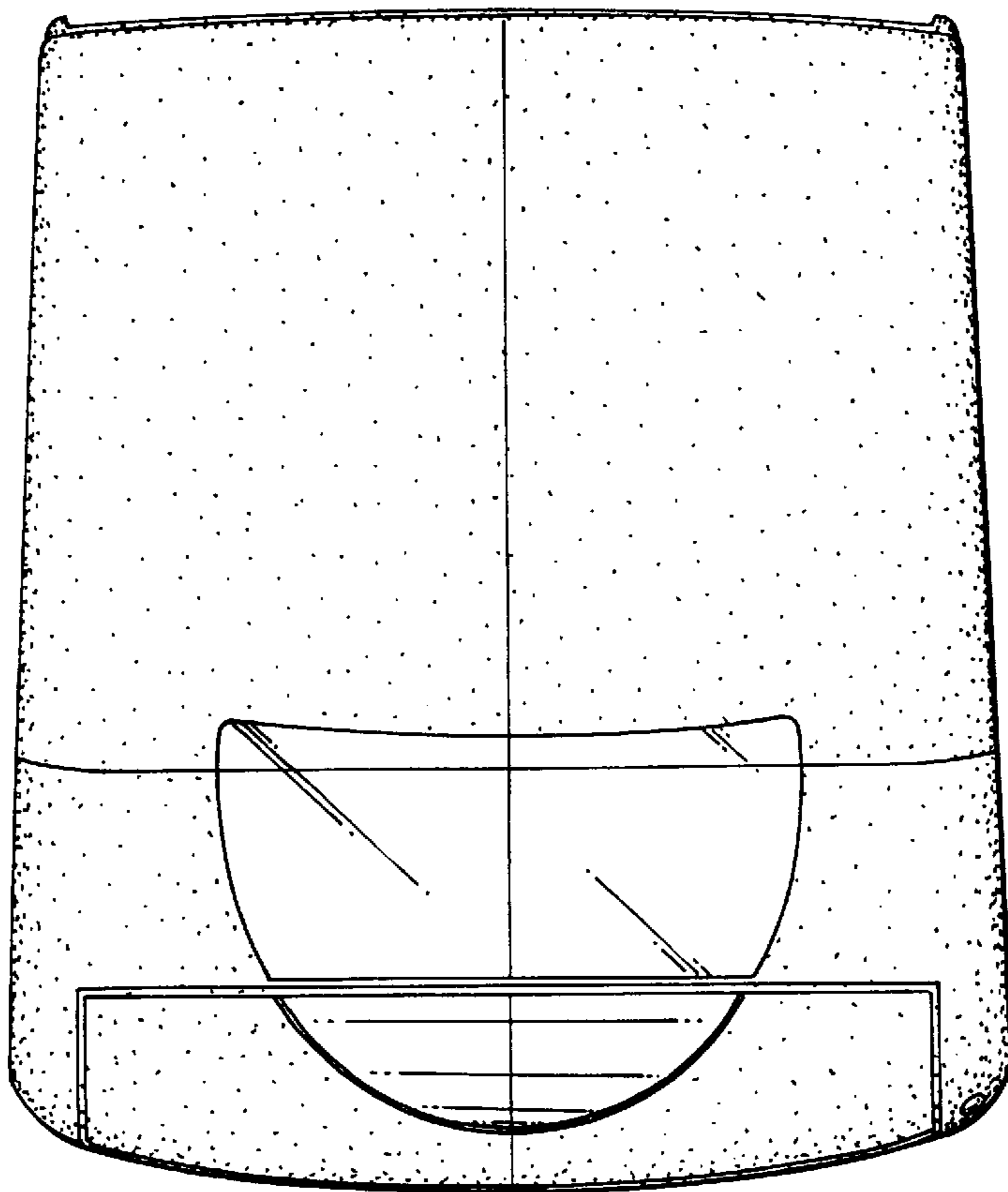


FIG. 2.

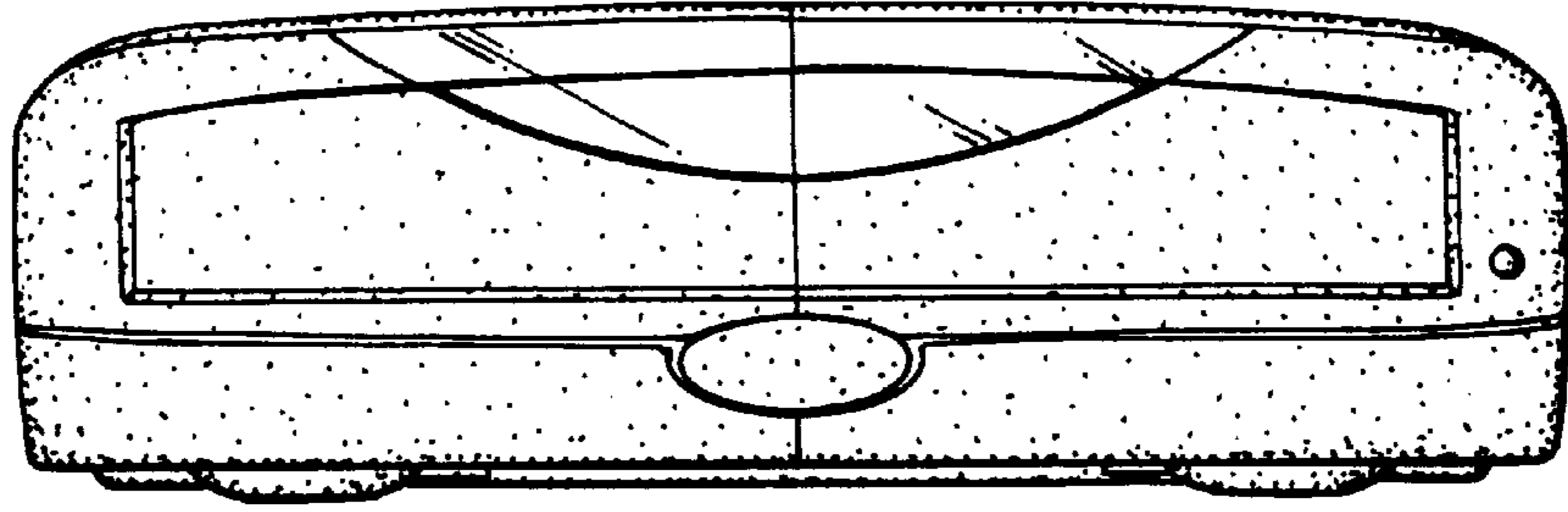


FIG. 3.

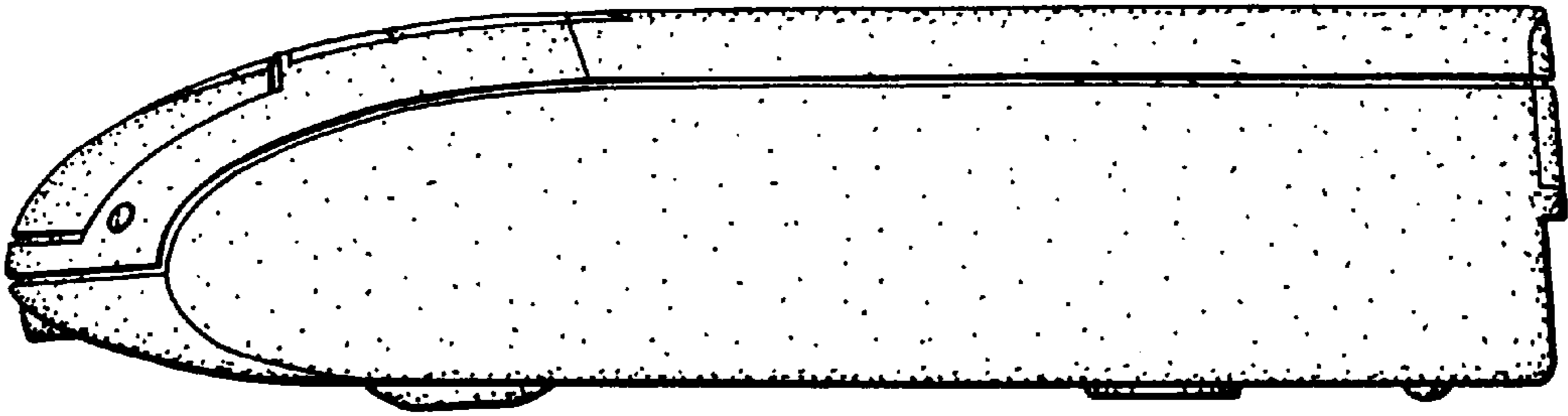


FIG. 4.

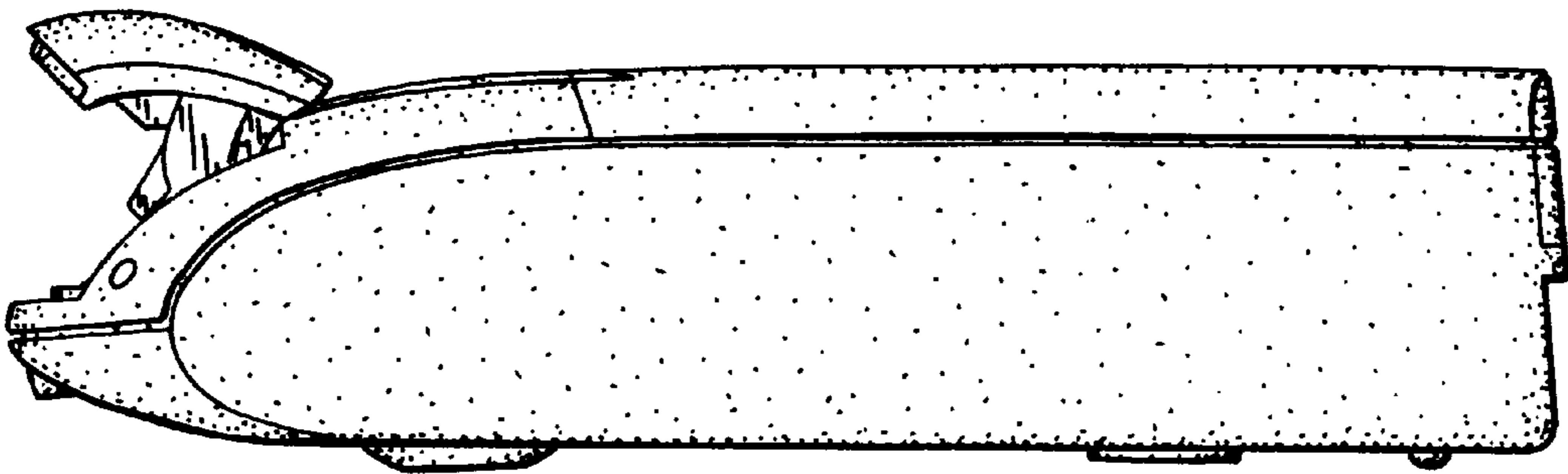


FIG. 5.

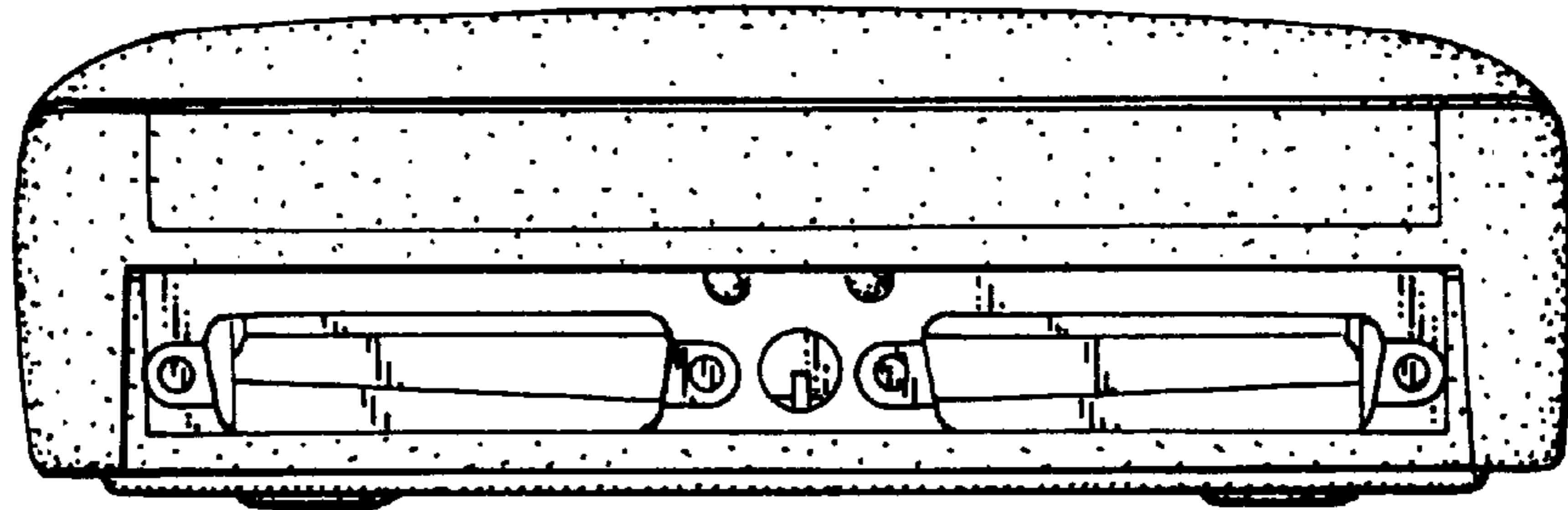


FIG. 6.

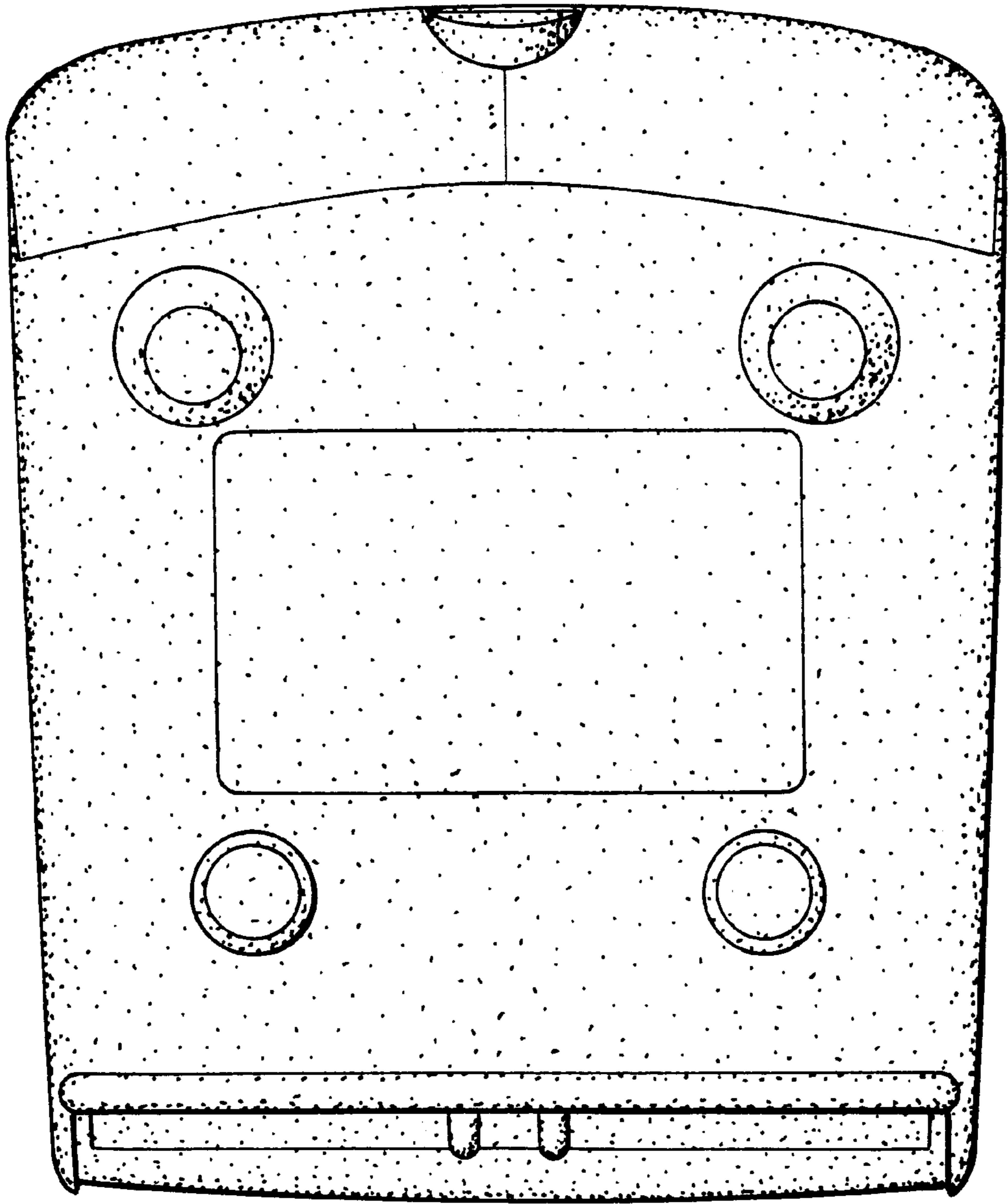


FIG. 7.

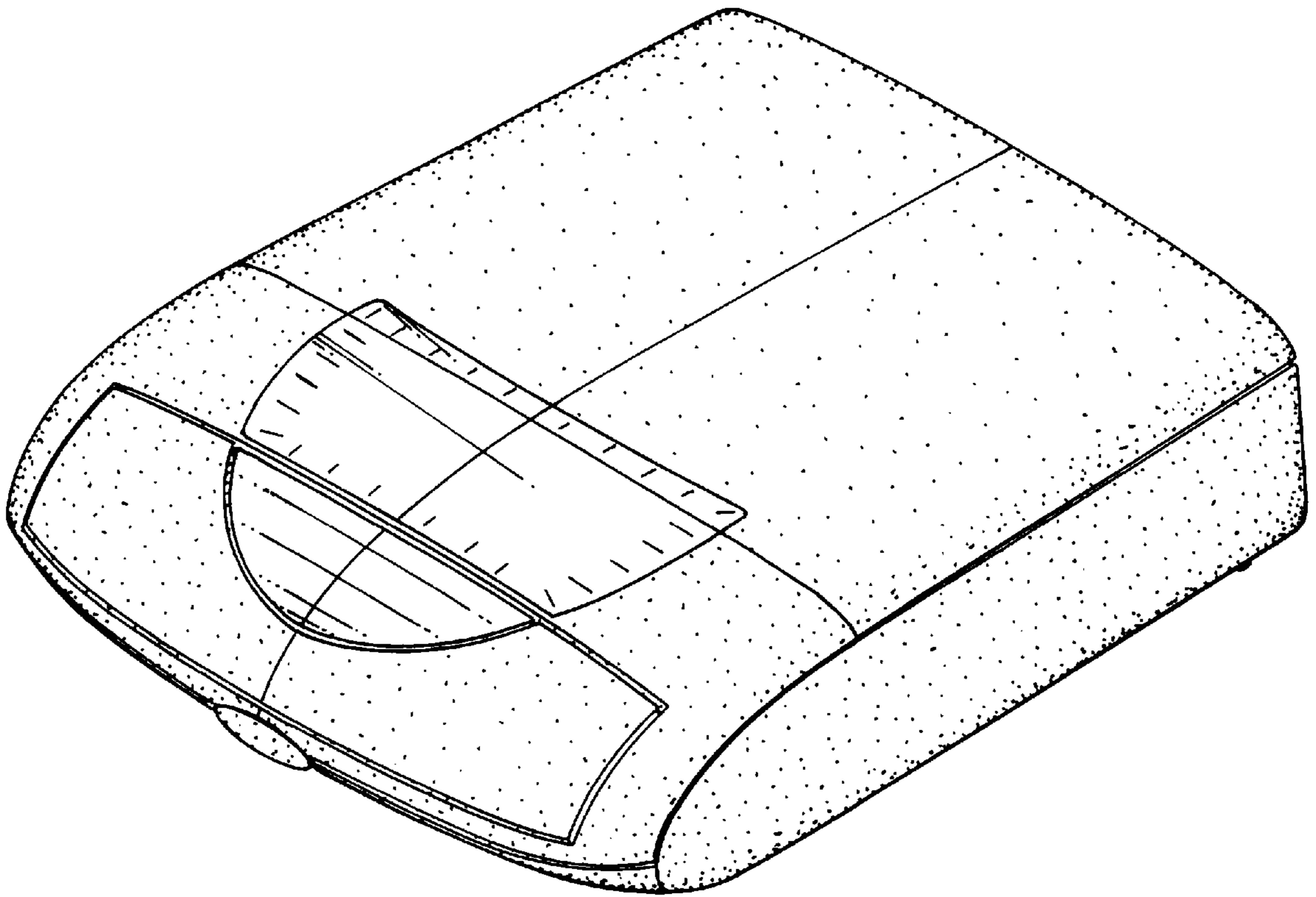


FIG. 8.