



US00D414761S

# United States Patent [19] Oikawa et al.

[11] **Patent Number: Des. 414,761**  
[45] **Date of Patent: \*\* Oct. 5, 1999**

[54] **JOYSTICK**

[75] Inventors: **Akitoshi Oikawa; Takashi Abe**, both of Tokyo, Japan

[73] Assignee: **Sega Enterprises, Ltd.**, Tokyo, Japan

[\*\*] Term: **14 Years**

[21] Appl. No.: **29/092,977**

[22] Filed: **Aug. 28, 1998**

[51] **LOC (6) Cl.** ..... **21-01**

[52] **U.S. Cl.** ..... **D14/117.7**

[58] **Field of Search** ..... D14/117.1, 117.5-117.9;  
D21/333, 324; 463/1, 2, 29-35, 37, 38,  
46, 47; 273/148 B

[56] **References Cited**

**U.S. PATENT DOCUMENTS**

D. 351,430	10/1994	Barr	.....	D14/117.7
D. 351,870	10/1994	Leung	.....	D14/117.7
D. 372,941	8/1996	Oikawa	.....	D14/117.7
D. 375,765	11/1996	Kawasaki	.....	D14/117.7
D. 389,198	1/1998	Hama	.....	D14/117.7
D. 402,976	12/1998	Heung	.....	D14/117.7

4,501,424	2/1985	Stone et al.	.....	273/148 B
4,536,164	8/1985	Klawitter	.....	D14/117.6 X
4,850,591	7/1989	Takezawa et al.	.....	273/148 B X

**OTHER PUBLICATIONS**

HongKong Enterprise, p. 512, Oct. 1992.

*Primary Examiner*—Prabhakar Deshmukh  
*Attorney, Agent, or Firm*—Dickstein Shapiro Morin & Oshinsky LLP

[57] **CLAIM**

The ornamental design for the joystick, as shown and described.

**DESCRIPTION**

FIG. 1 is a front, bottom and right side perspective view of a joystick showing our new design;  
FIG. 2 is a front, top and left side perspective view thereof;  
FIG. 3 is a front elevational view thereof;  
FIG. 4 is a rear elevational view thereof;  
FIG. 5 is a top plan view thereof;  
FIG. 6 is a bottom plan view thereof;  
FIG. 7 is a left side elevational view thereof; and,  
FIG. 8 is a right side elevational view thereof.

**1 Claim, 6 Drawing Sheets**

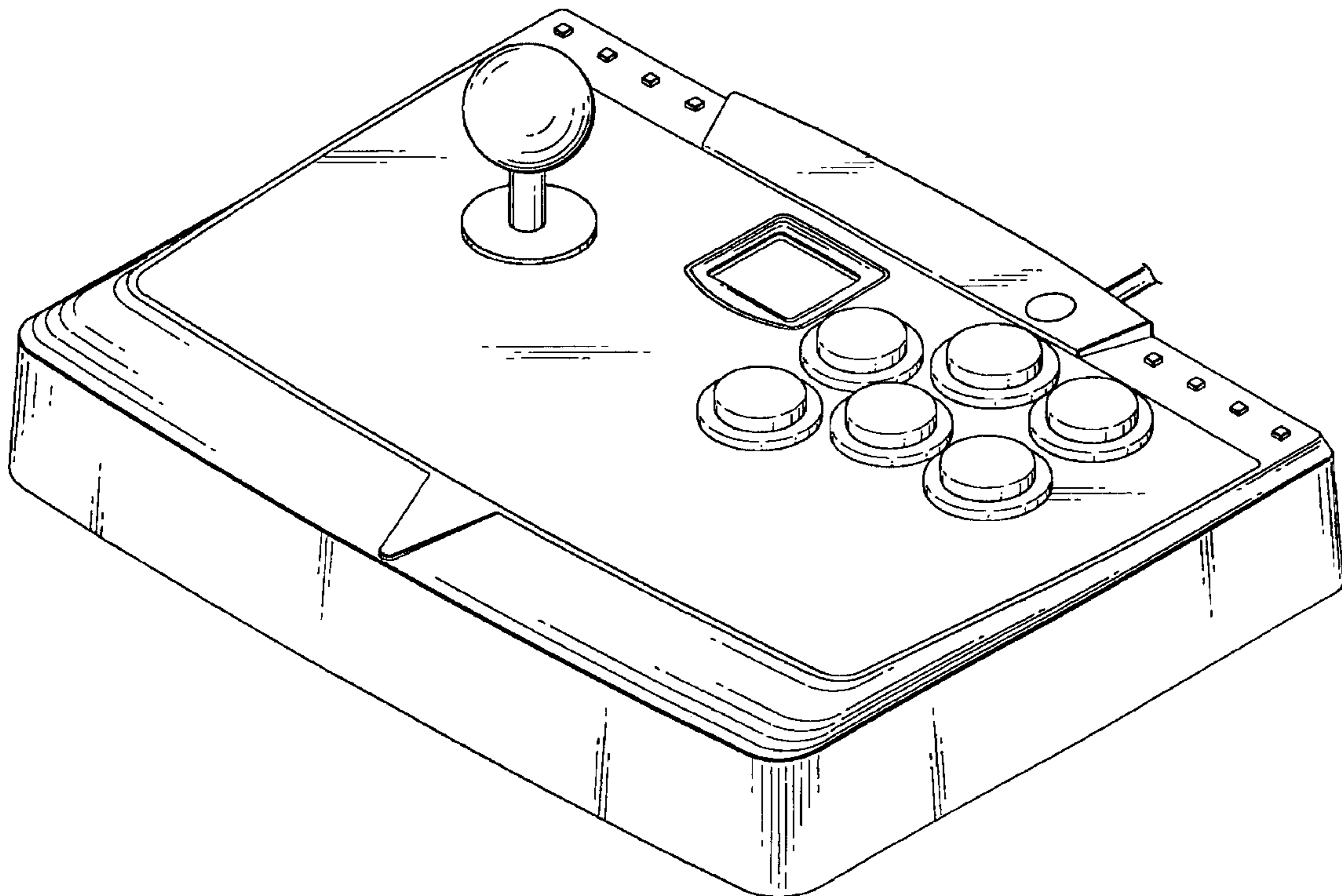


FIG.1

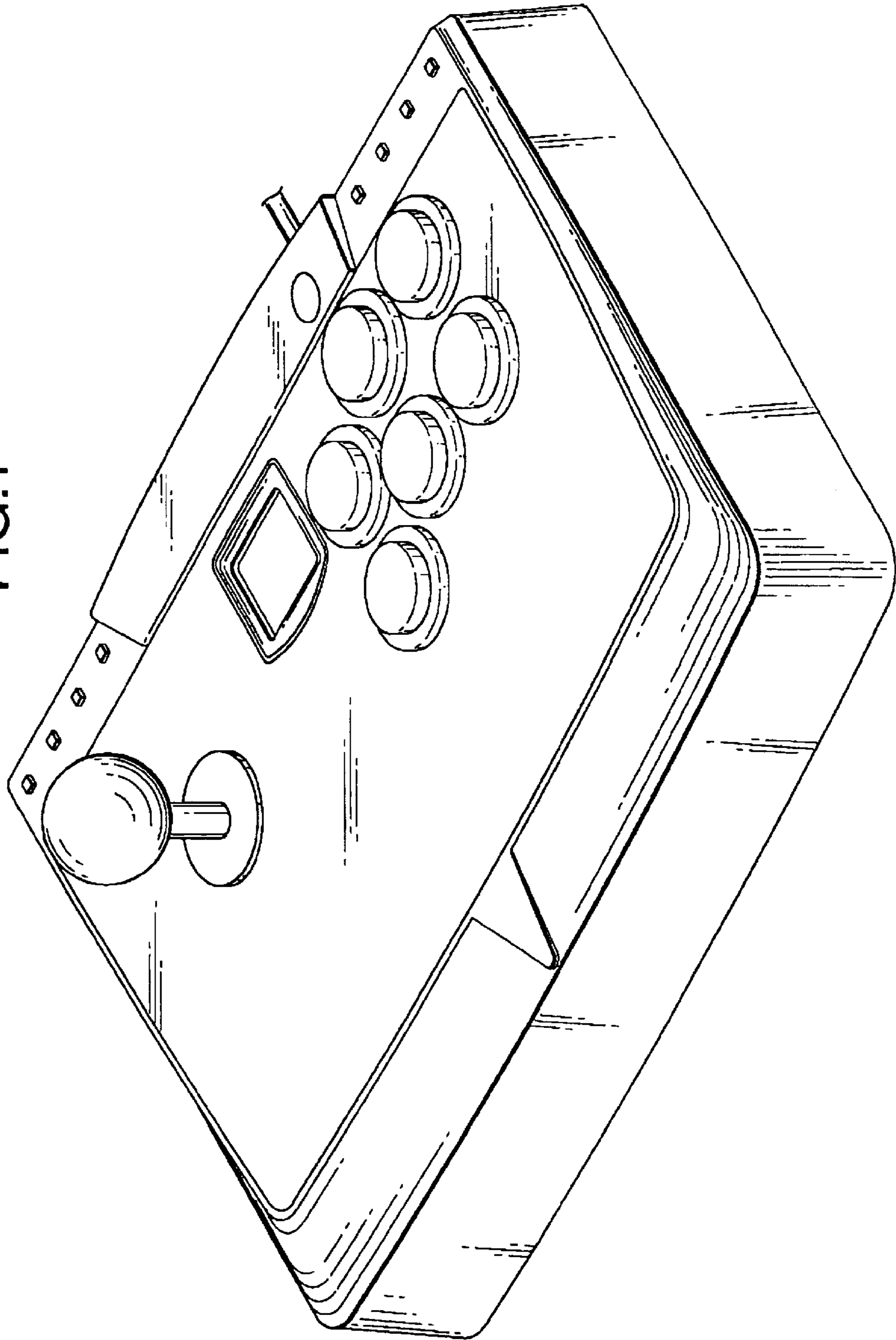


FIG.2

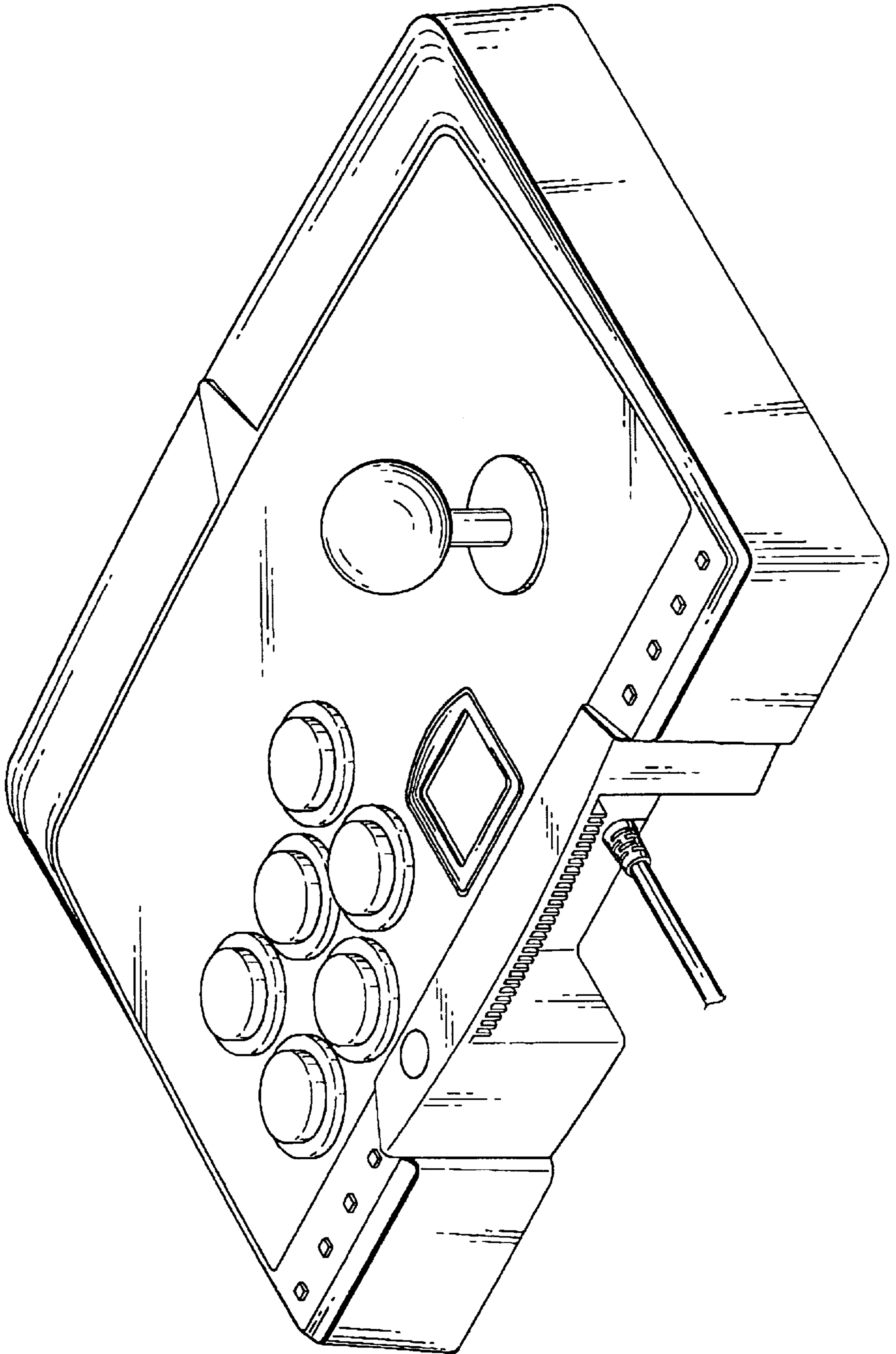


FIG.3

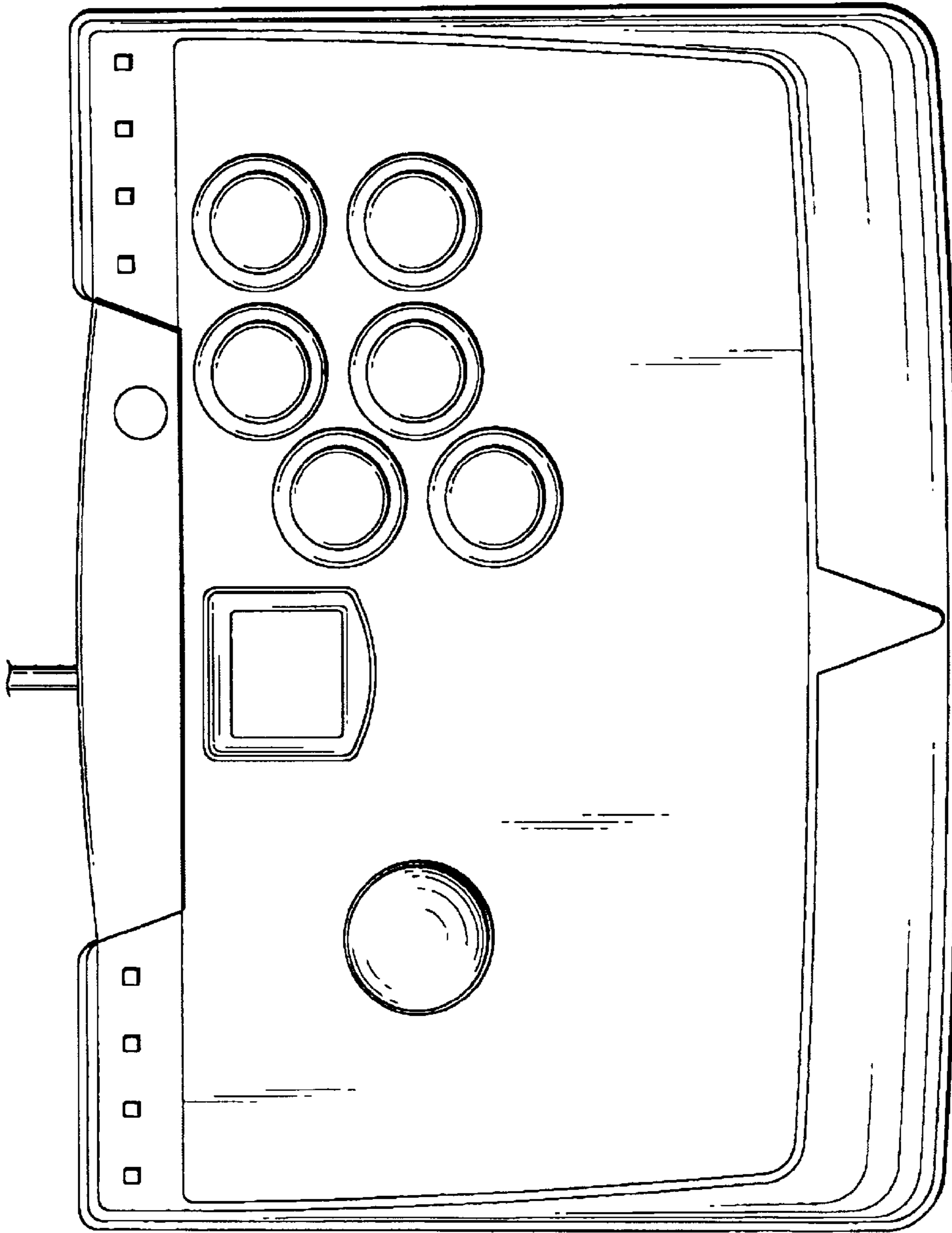
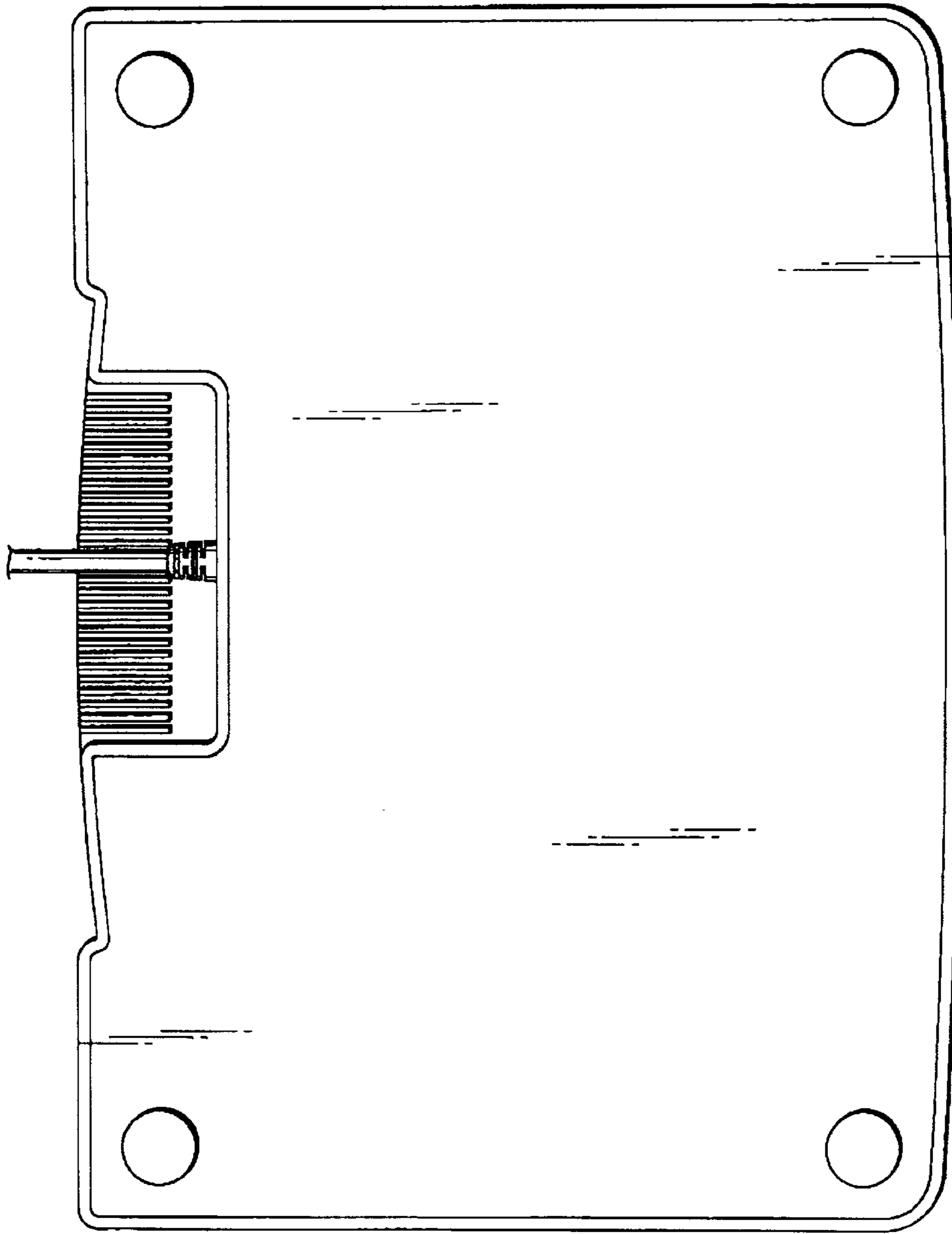




FIG.4



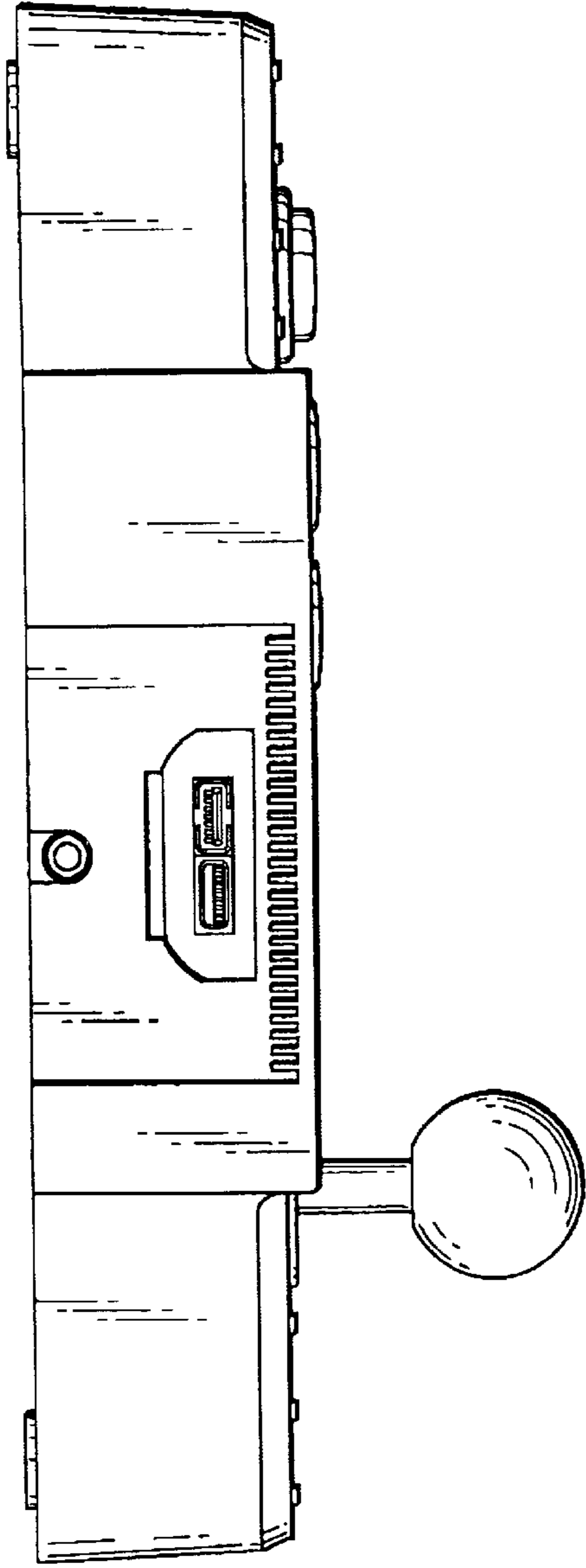


FIG. 5

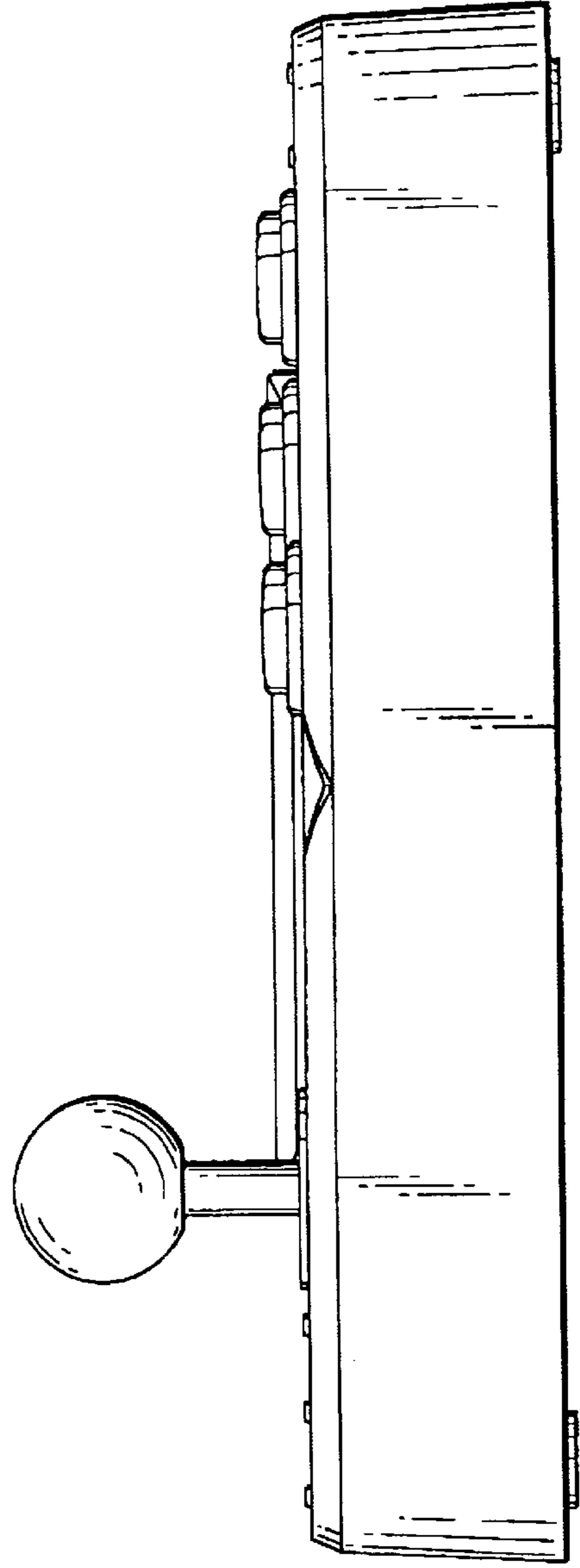


FIG. 6

FIG.8

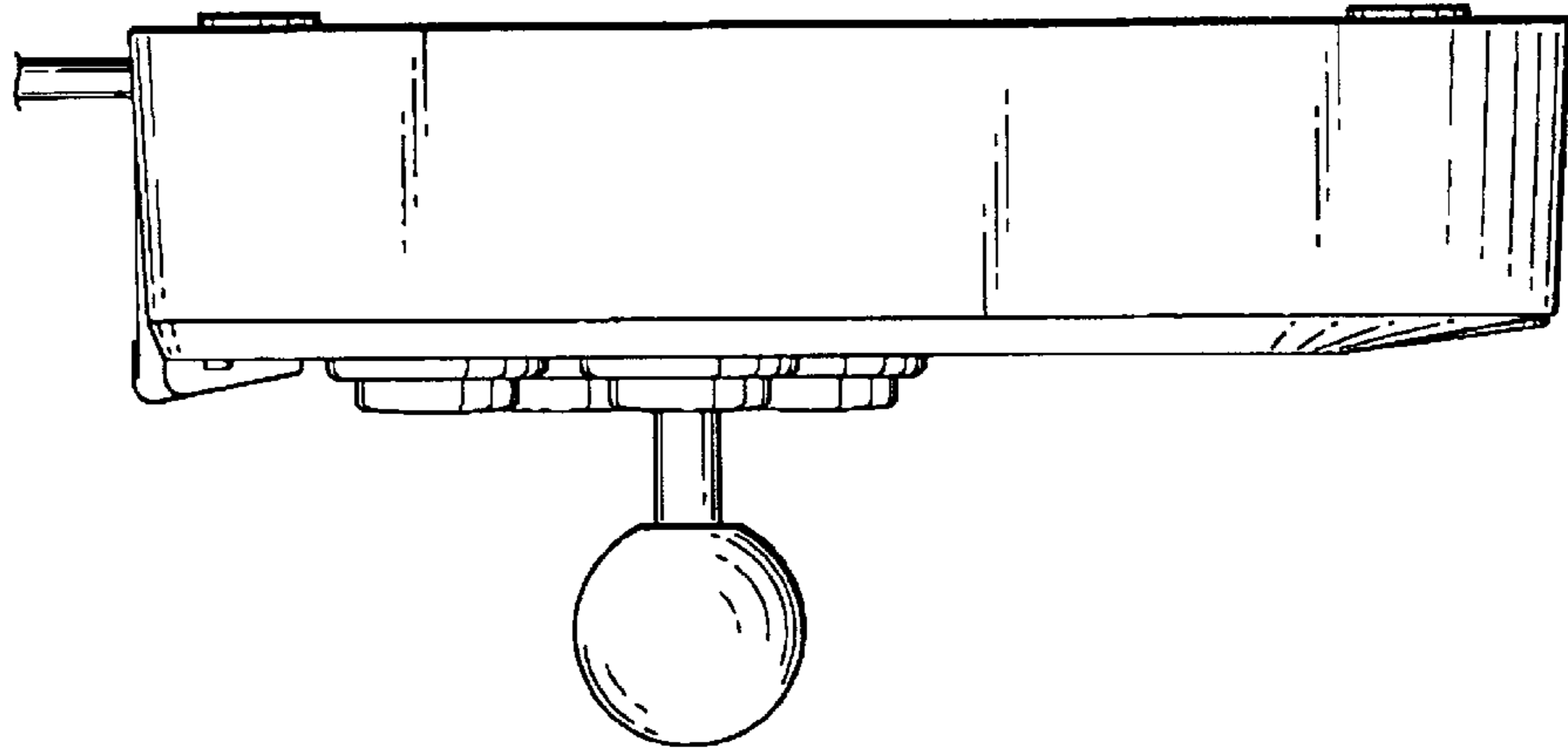


FIG.7

