



US00D414756S

United States Patent [19]

[11] **Patent Number: Des. 414,756**

Nelson et al.

[45] **Date of Patent: ** Oct. 5, 1999**

[54] **COMPUTER CONTROLLER**

[75] Inventors: **Michael D. Nelson; Chung-Ming Ying; Jennifer E. Zubeck**, all of Seattle, Wash.

[73] Assignee: **Inroad, Inc.**, Seattle, Wash.

[**] Term: **14 Years**

[21] Appl. No.: **29/085,371**

[22] Filed: **Mar. 20, 1998**

[51] **LOC (6) Cl.** **14-02**

[52] **U.S. Cl.** **D14/114**

[58] **Field of Search** D14/100, 114, D14/117.1-117.9; D13/158; D21/385, 333; 200/5 R, 5 A, 6 R, 6 A; 273/148 B; 345/156-67; 74/471 XY; 463/36-39

[56] **References Cited**

U.S. PATENT DOCUMENTS

D. 347,833	6/1994	Bisenius et al.	D14/114
D. 368,080	3/1996	Aeschbacher et al.	D14/114
D. 368,901	4/1996	Currid	D14/114
D. 371,350	7/1996	Chavarria	D14/114
D. 377,023	12/1996	Andrea	D14/114 X
D. 387,749	12/1997	Diaz	D14/114

Primary Examiner—M. H. Tung
Attorney, Agent, or Firm—Christensen, O'Connor, Johnson & Kindness PLLC

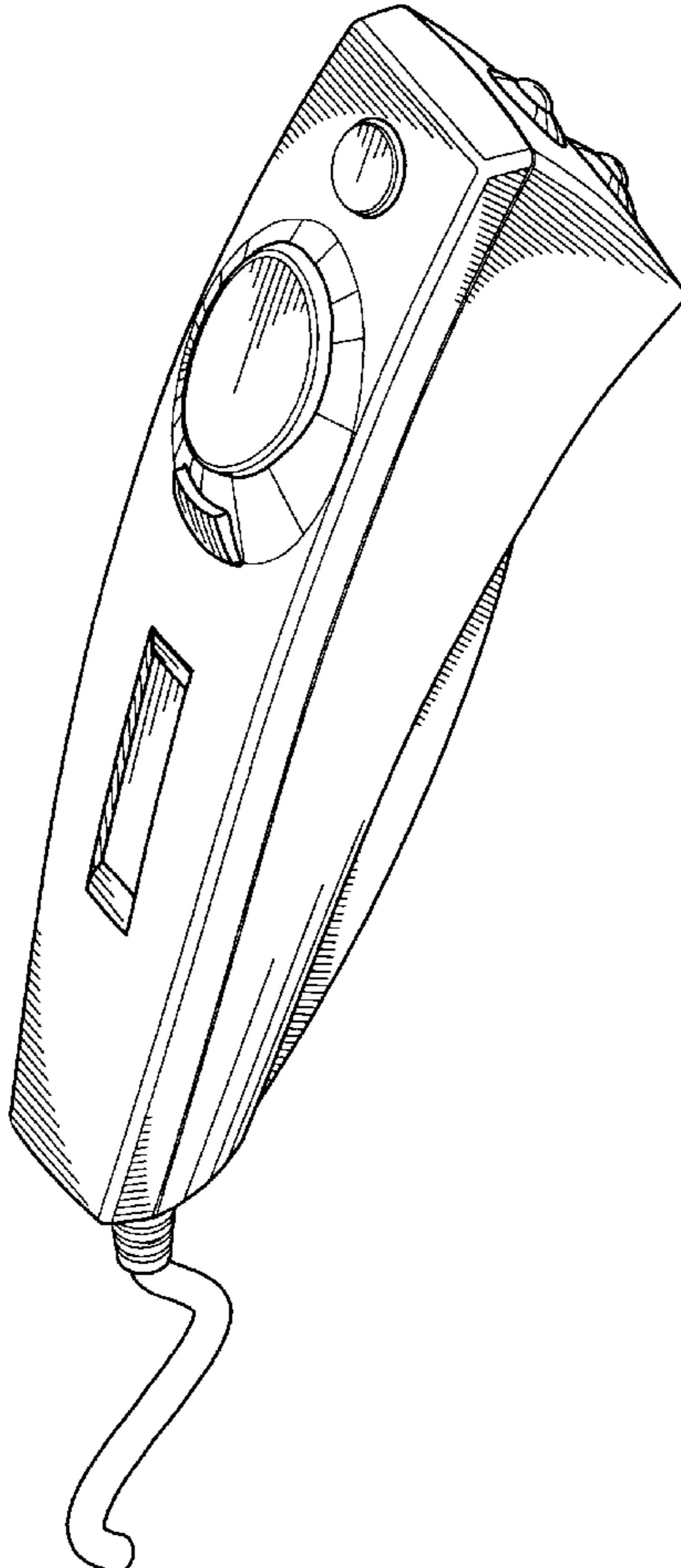
[57] **CLAIM**

The ornamental design for a computer controller, as shown and described.

DESCRIPTION

FIG. 1 is an isometric view of a computer controller showing our new design;
FIG. 2 is a top plan view thereof;
FIG. 3 is a bottom plan view thereof;
FIG. 4 is a side elevation view thereof, the opposite side being a mirror image of the illustrated side;
FIG. 5 is a front elevation view thereof;
FIG. 6 is a rear elevation view thereof;
FIG. 7 is an isometric view of a second embodiment of a computer controller showing our new design;
FIG. 8 is a top plan view thereof;
FIG. 9 is a bottom plan view thereof;
FIG. 10 is a side elevation view thereof, the opposite side being a mirror image of the illustrated side;
FIG. 11 is a front elevation view thereof; and,
FIG. 12 is a rear elevation view thereof.

1 Claim, 6 Drawing Sheets



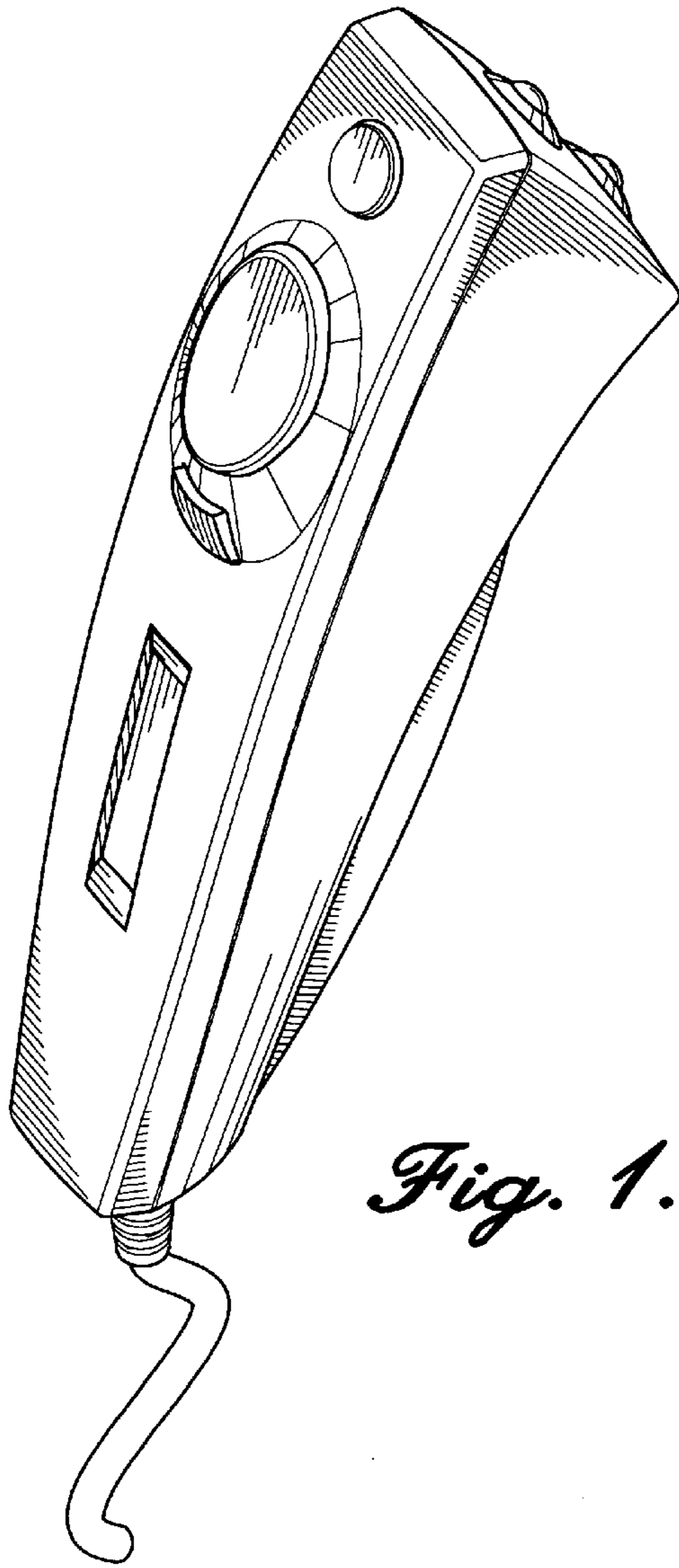


Fig. 1.

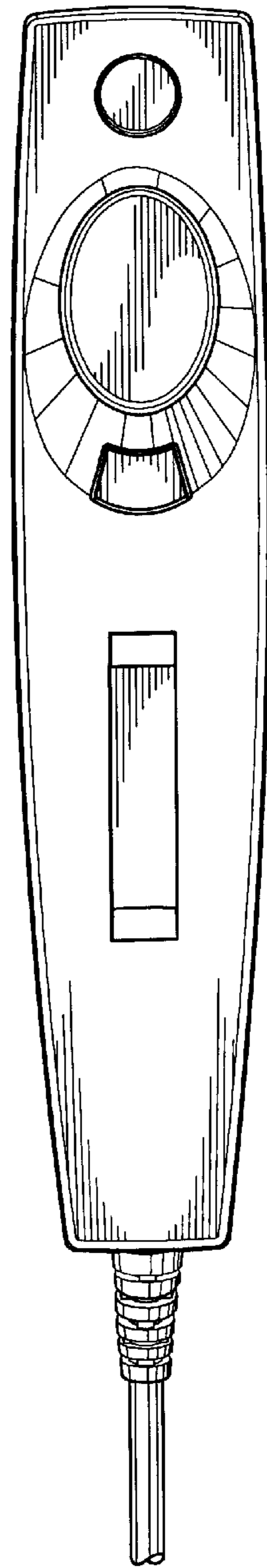


Fig. 2.

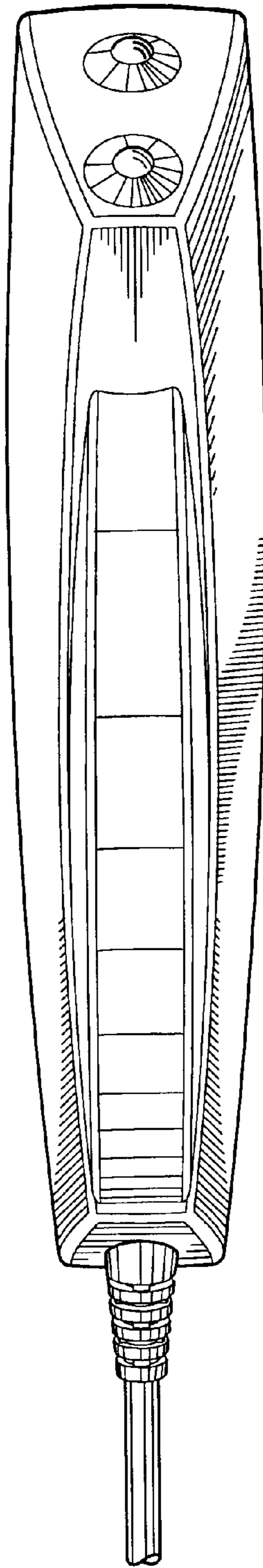


Fig. 3.

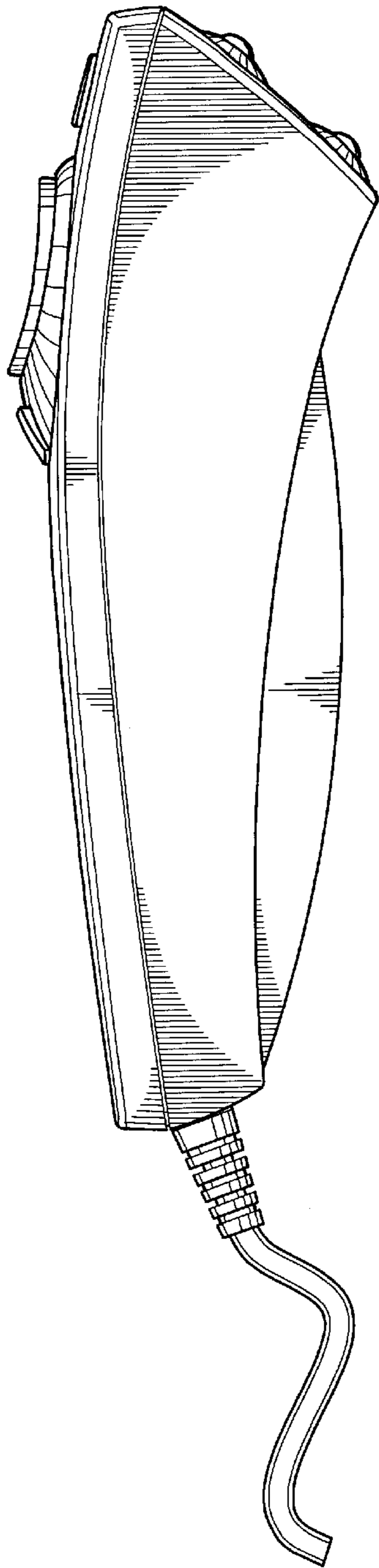


Fig. 4.

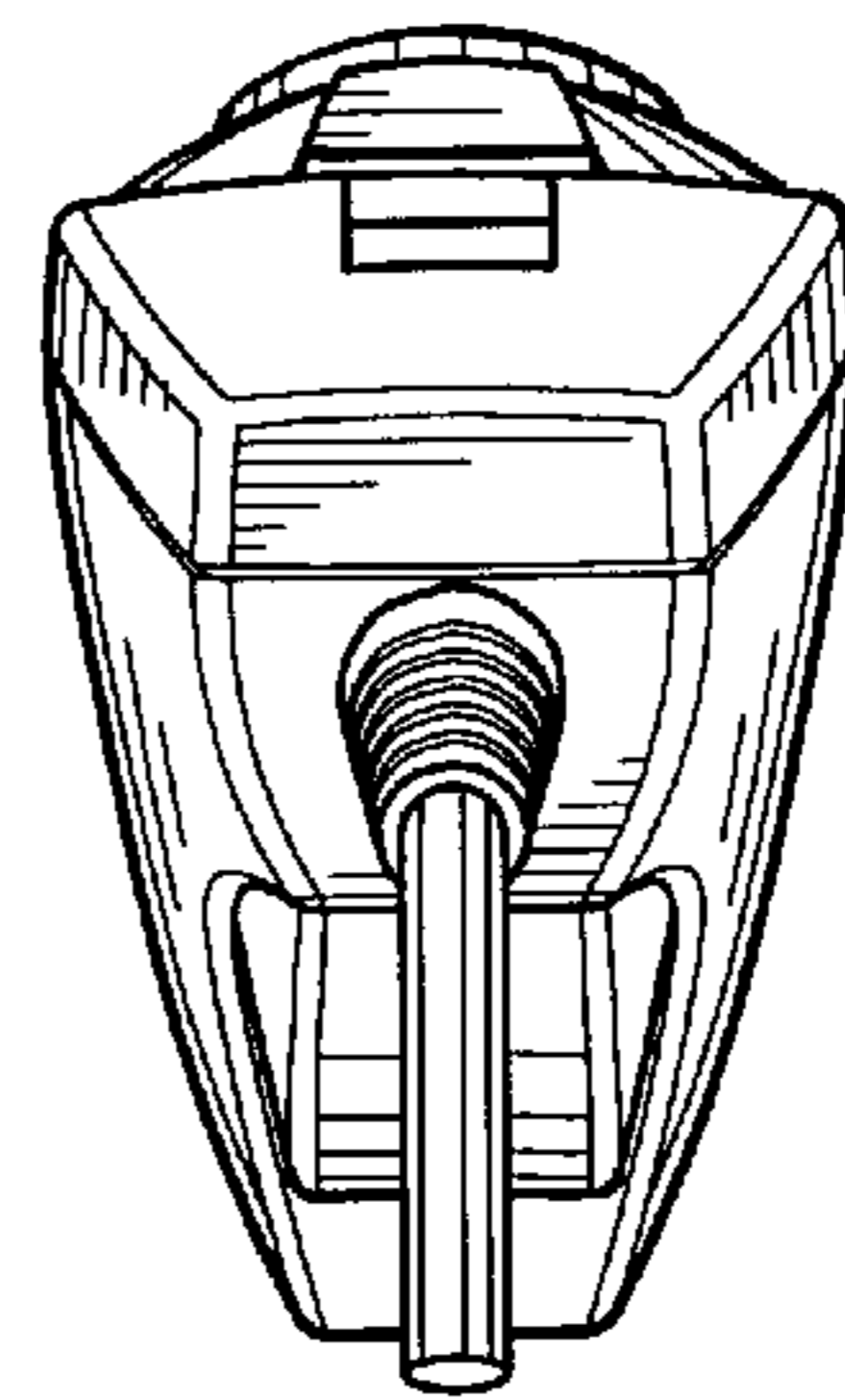


Fig. 5.

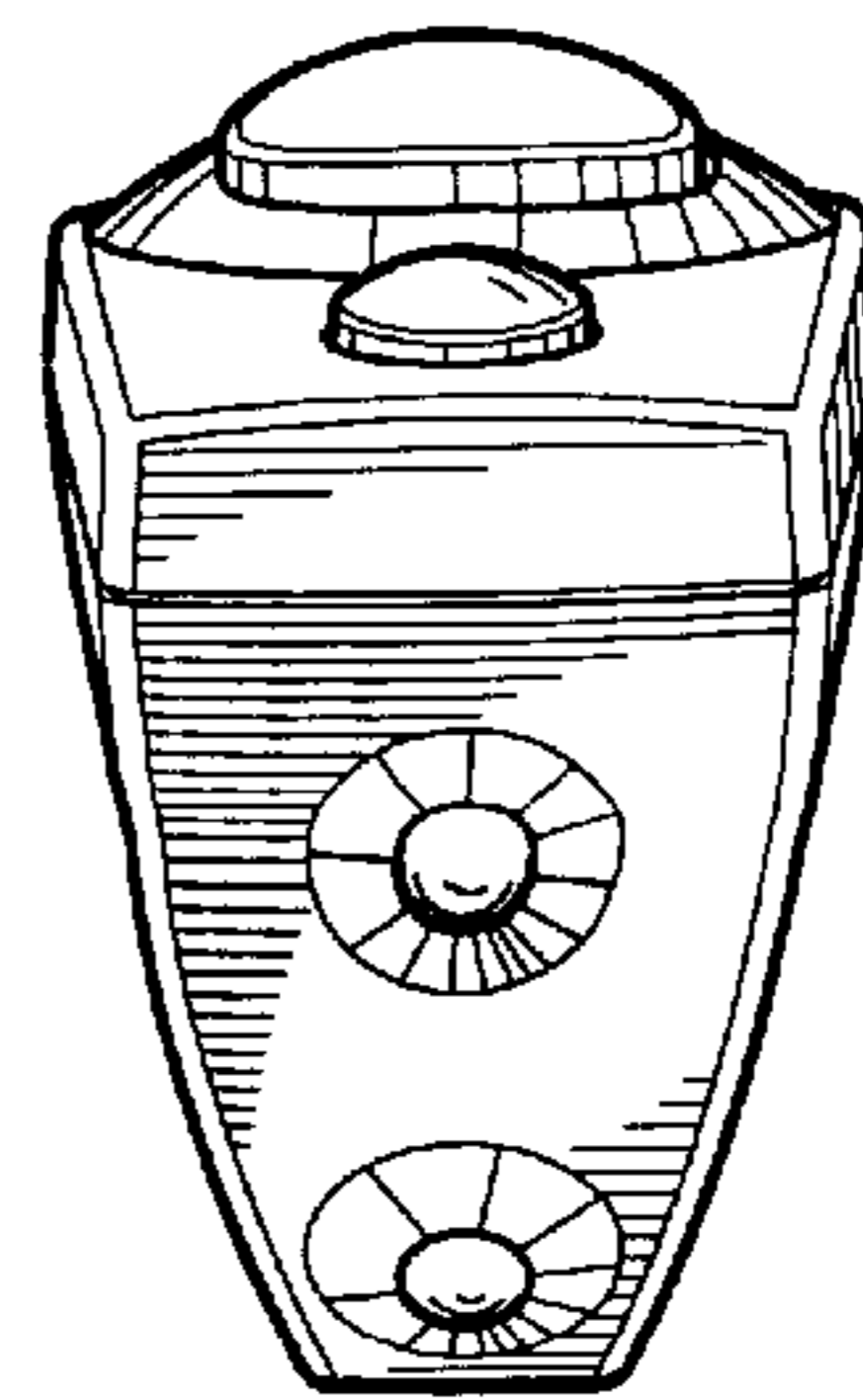


Fig. 6.

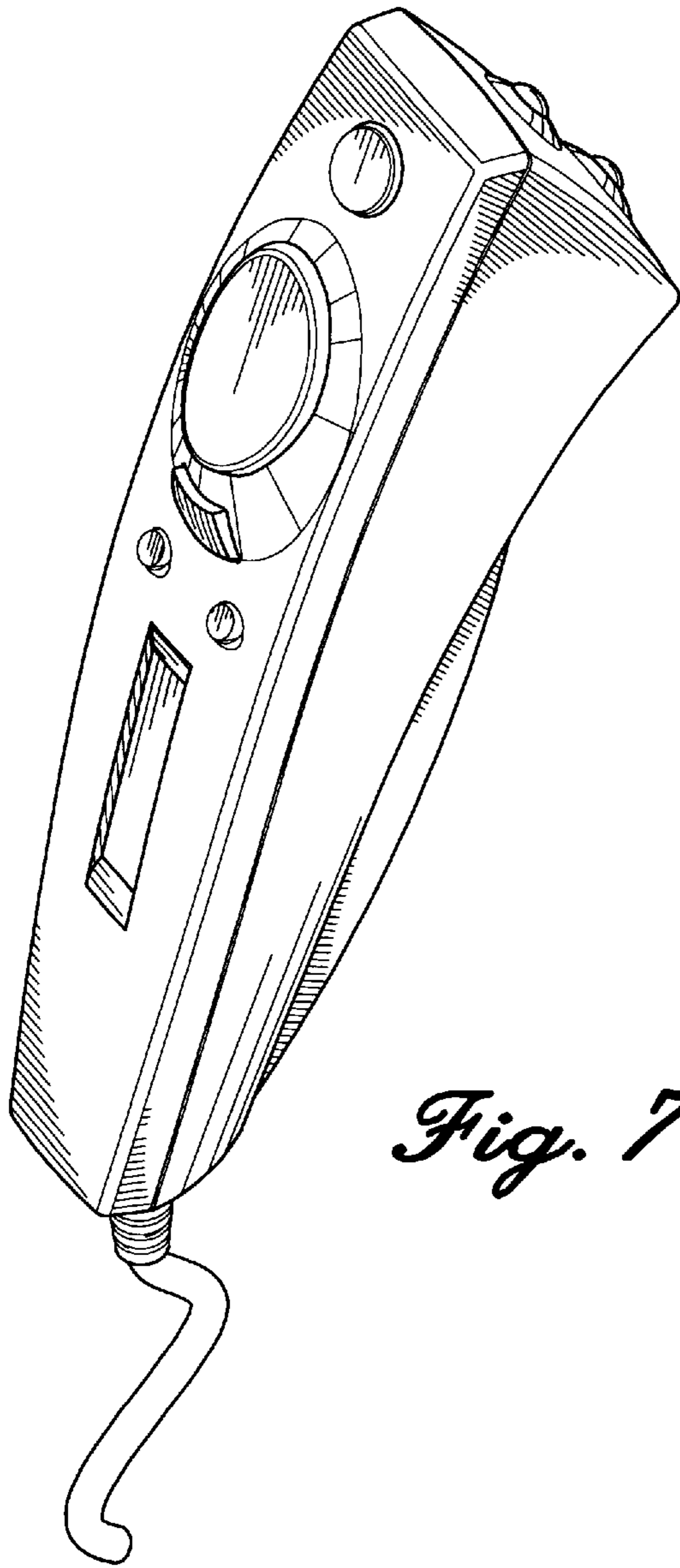


Fig. 7.

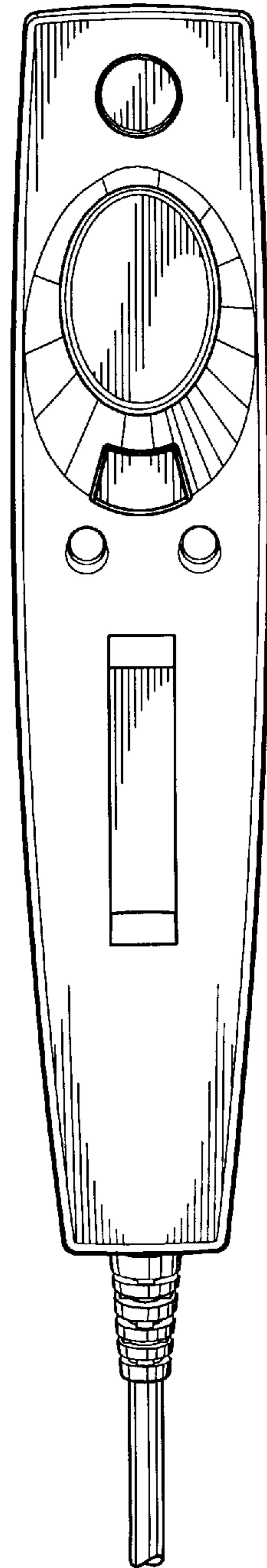


Fig. 8.

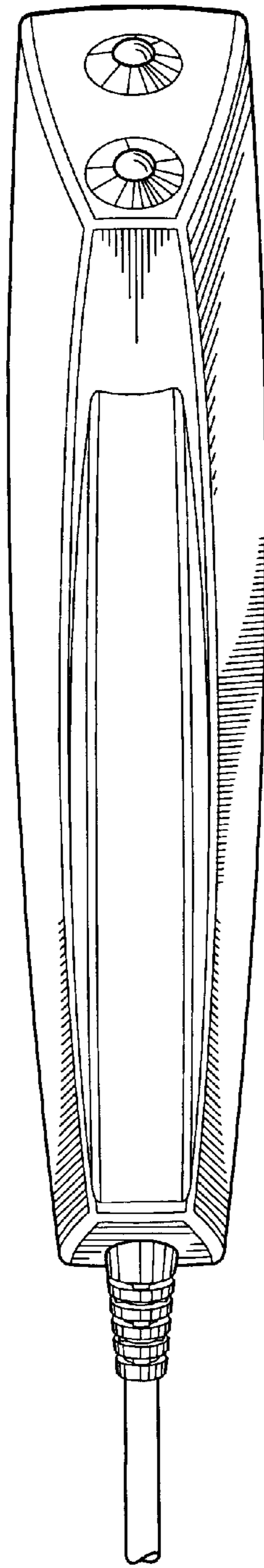


Fig. 9.

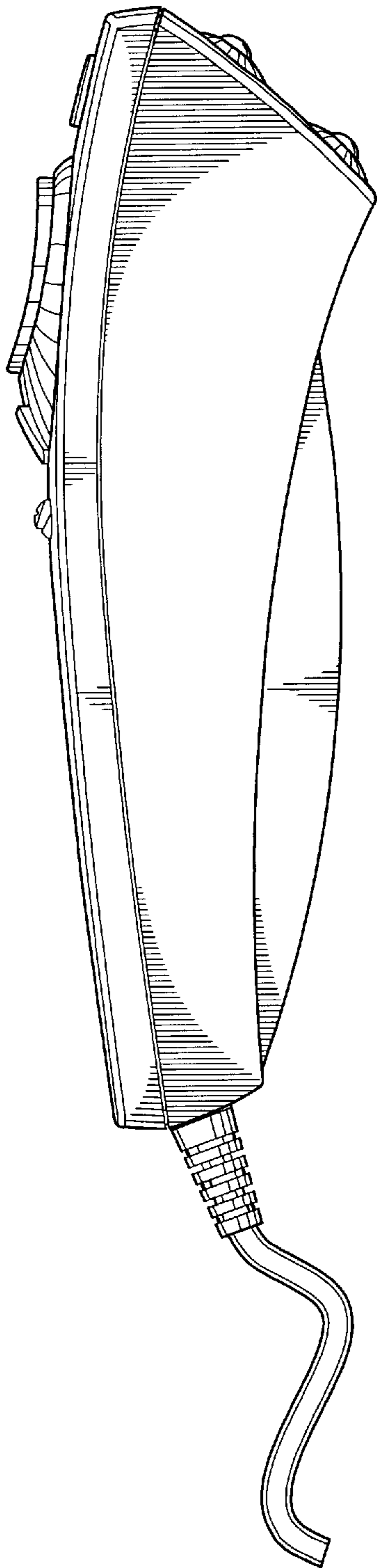


Fig. 10.

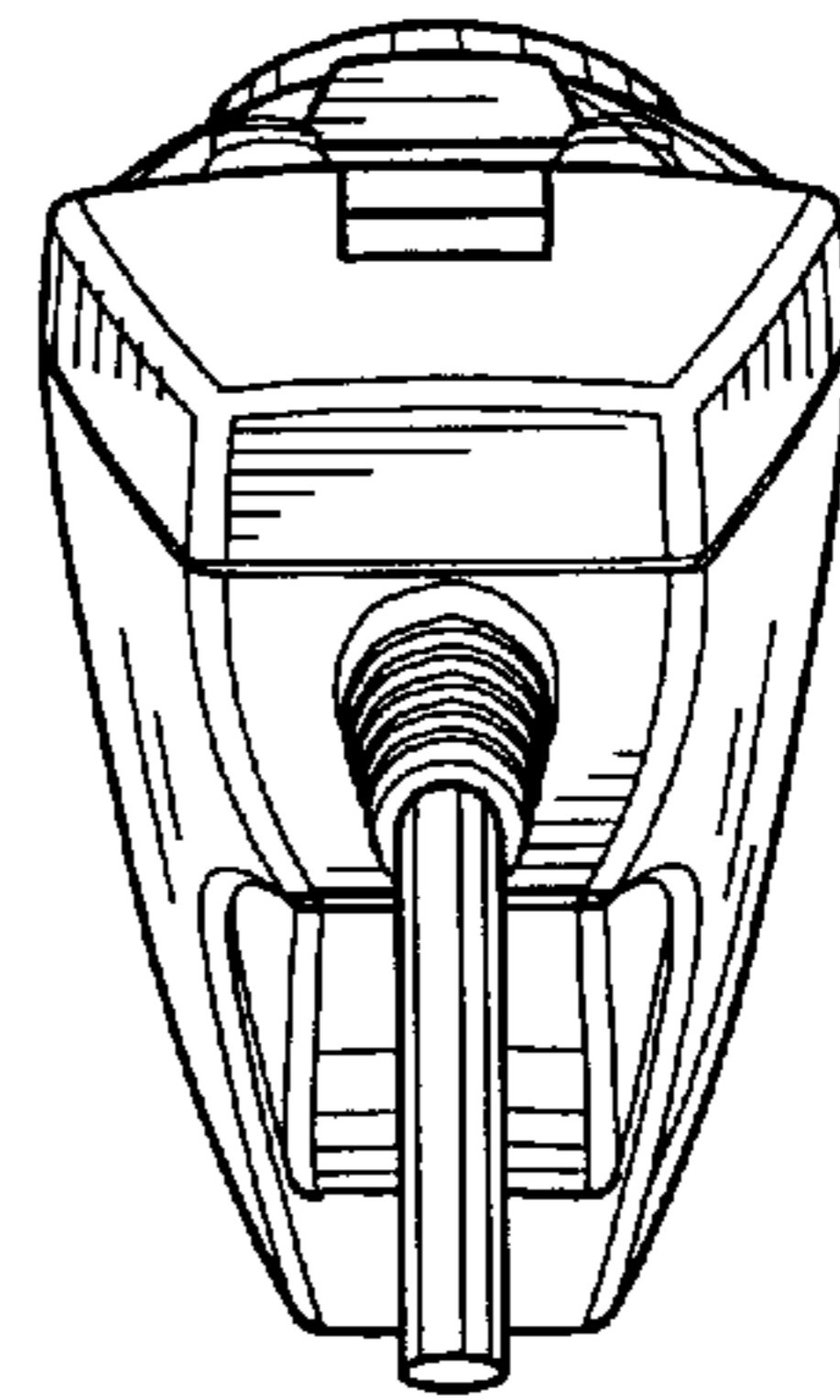


Fig. 11.

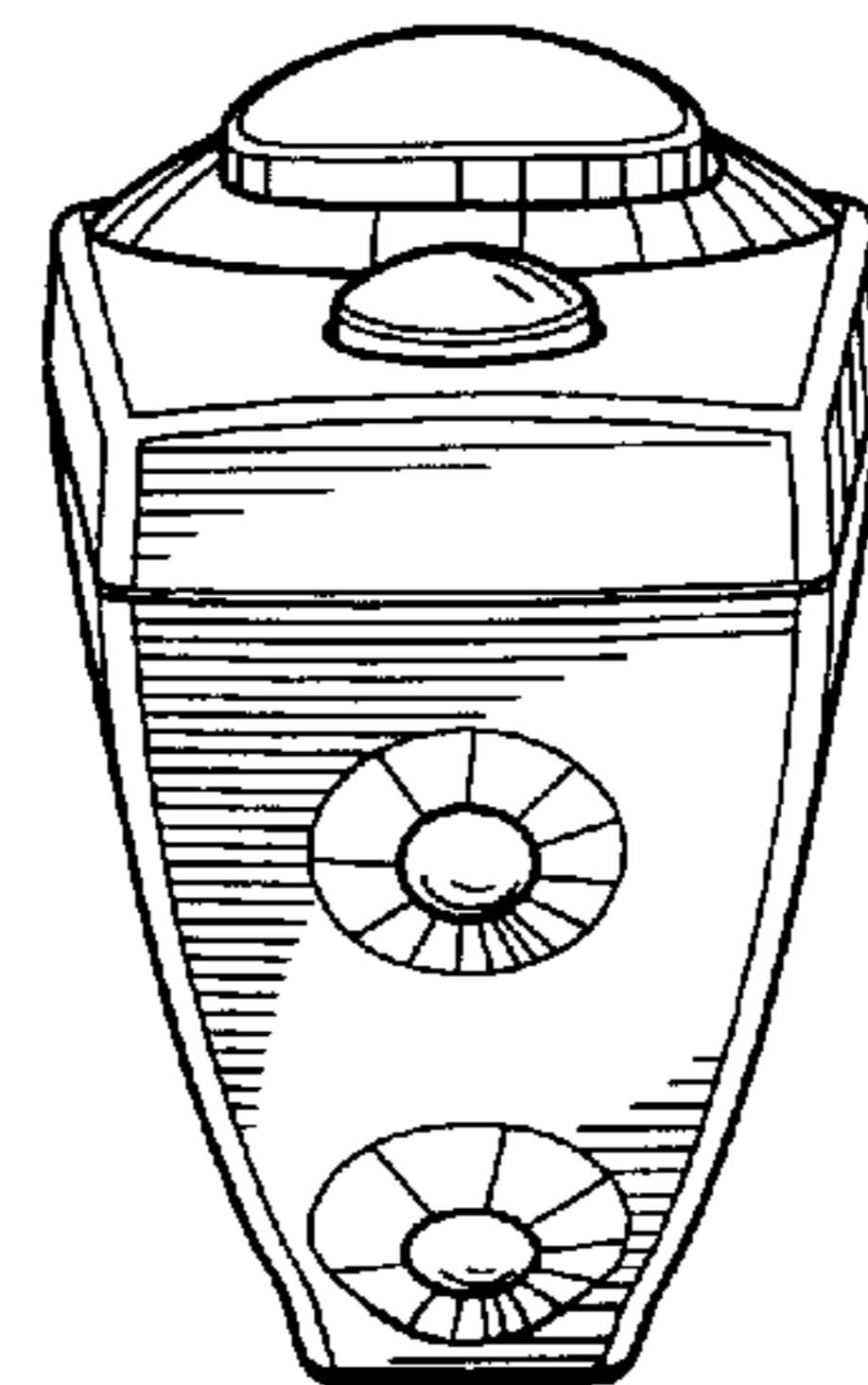


Fig. 12.