



US00D414751S

United States Patent [19] Yogalingam

[11] **Patent Number: Des. 414,751**
[45] **Date of Patent: ** Oct. 5, 1999**

[54] **COMBINATION COMPUTER AND BRIEFCASE**

[76] Inventor: **Gowry Yogalingam**, 115 Hillcrest Ave., Apt. 1704, Mississauga, Ontario, Canada, L5B 3Y9

[**] Term: **14 Years**

[21] Appl. No.: **29/096,708**

[22] Filed: **Nov. 18, 1998**

[30] **Foreign Application Priority Data**

Oct. 2, 1998 [CA] Canada 1998-2421

[51] **LOC (6) Cl.** **14-02**

[52] **U.S. Cl.** **D14/106; D3/276; D3/284**

[58] **Field of Search** D14/100, 106, D14/115; D18/1, 2, 7; D3/319, 900, 284, 289, 276; 361/683; 346/145; 206/305, 320, 576; 224/657

[56] **References Cited**

U.S. PATENT DOCUMENTS

D. 344,074	2/1994	Collins	D14/106
D. 358,483	5/1995	Cross et al.	D3/276
D. 365,806	1/1996	Hayami et al.	D14/106
D. 383,605	9/1997	Usuriello	D3/284
D. 387,037	12/1997	Horiki et al.	D14/106
4,837,590	6/1989	Sprague	.	
4,896,776	1/1990	Kabanuk et al.	.	
5,226,540	7/1993	Bradbury	.	
5,242,056	9/1993	Zia et al.	.	
5,379,893	1/1995	Ruiz	.	
5,400,903	3/1995	Cooley	206/320
5,524,754	6/1996	Hollingsworth	.	
5,647,484	7/1997	Fleming	.	
5,682,993	11/1997	Song	206/320
5,706,992	1/1998	Moor	.	

OTHER PUBLICATIONS

BSI World Wide Web Advertisement, BSI LCD-V8 Lunchbox Portable Computer Workstation with 8 expansion slots, <http://www.bsicomputer.com/portable/lcd-v8/lcd-v8.htm>, printed Jun. 10, 1998.

BSI World Wide Web Advertisement, LCD-v8 Lunchbox Portable or Transportable Computer air cargo case, <http://www.bsicomputer.com/portable/lcd-v8/lcd-v8-aircargo.htm>, printed Jun. 10, 1998.

BSI World Wide Web Advertisement, BSI PC-ATX Lunchbox LCD Portable Computer, <http://www.bsicomputer.com/portable/pcatx/pcatx.htm>, printed Jun. 10, 1998.

Softwire World Wide Web Advertisement, Rugged Notebook Computers, <http://www.bjs.co.nz/products/rugged/notebook.htm>, printed Jun. 10, 1998.

GETAC Corporation World Wide Web Advertisement, GETAC Rugged Notebook Computers (A-Series), http://www.uq.net.au/pacificdata/getac/getac_a.htm, printed Jun. 10, 1998.

Panasonic World Wide Web Advertisement, Most Rugged Notebook PC, http://www.panasonic.com/PCSC/PPCC/most_rugged.html, printed Jun. 10, 1998.

Panasonic World Wide Web Advertisement, Quick Spec CF25, <http://www.panasonic.com/PCSC/PPCC/quickspec25.html>, printed Jun. 10, 1998.

Mitsubishi Mobile Computing, The Pedion Ultra-Slim Notebook Computer, Nov. 1997.

Primary Examiner—Freda Nunn
Attorney, Agent, or Firm—Barrigar & Moss

[57] **CLAIM**

The ornamental design for a combination computer and briefcase, as shown and described.

DESCRIPTION

FIG. 1 is a right front perspective view showing my new design, in an open position, and with an interior panel partially raised to show the space below it;

FIG. 2 is another right front perspective view thereof showing the interior panel completely raised against the computer screen;

FIG. 3 is a back view thereof;

FIG. 4 is a side view thereof;

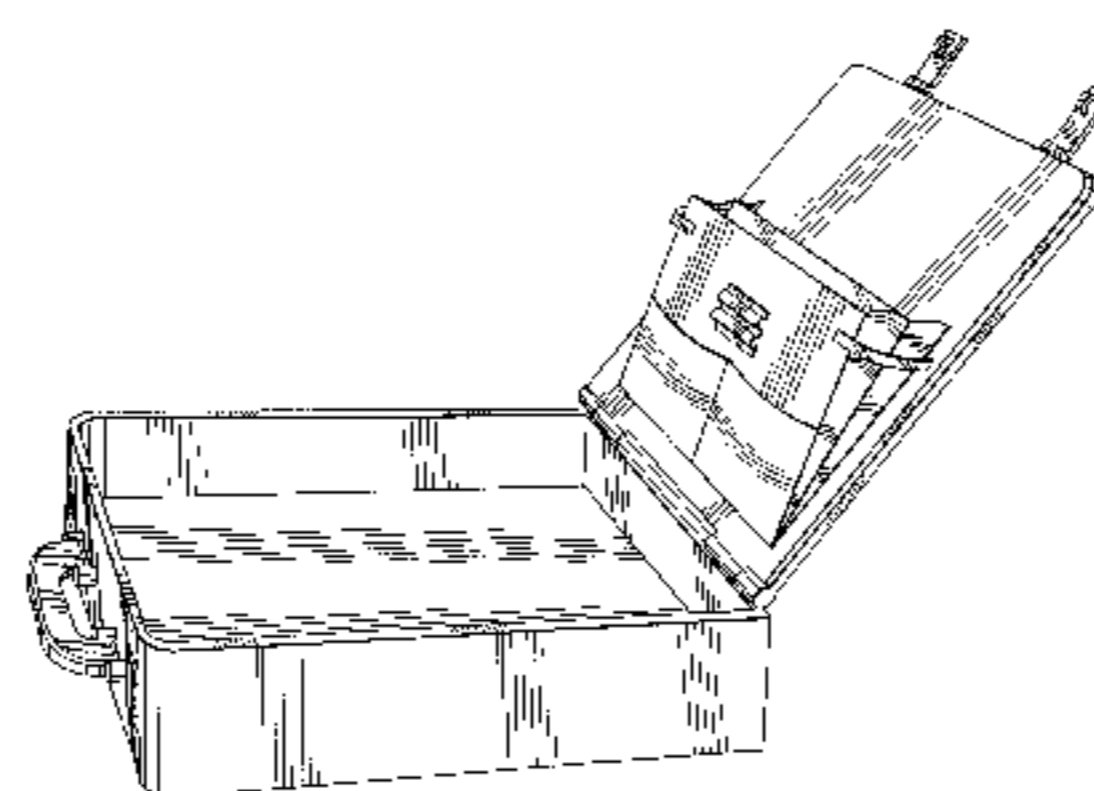
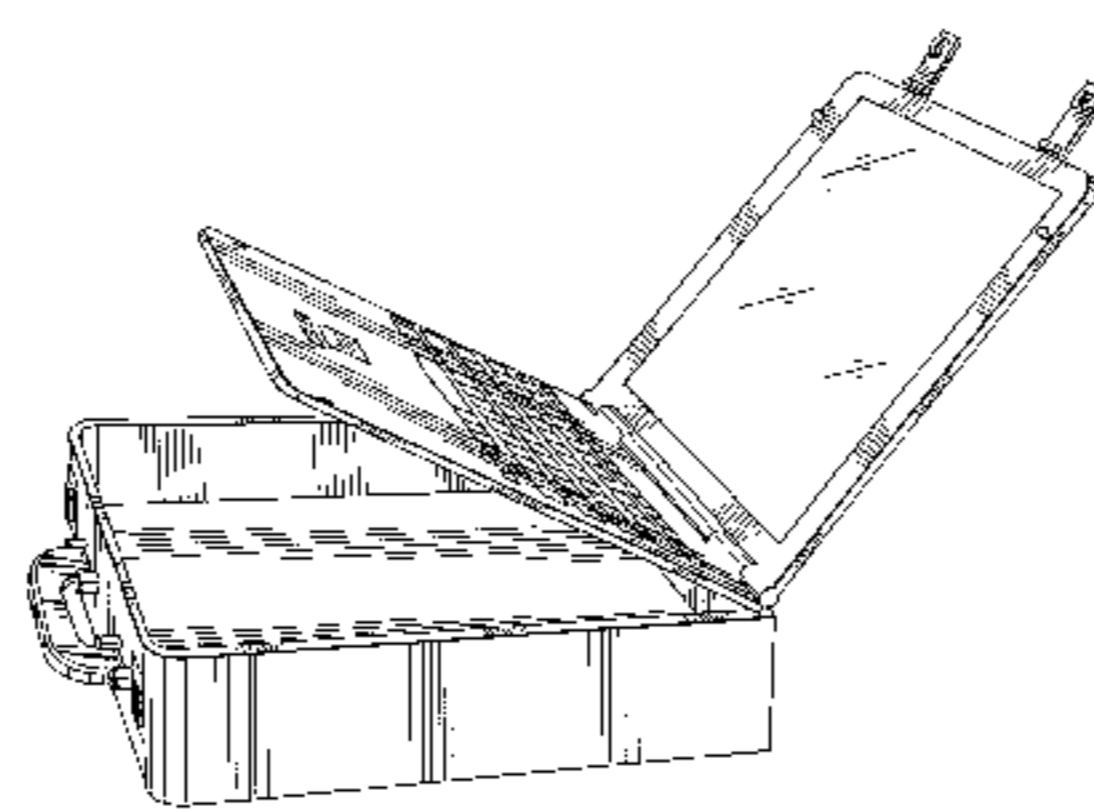
FIG. 5 is a right end view thereof the left end view being identical;

FIG. 6 is another side view thereof showing the side opposite the side shown in FIG. 4, and the briefcase in a closed position;

FIG. 7 is a side view thereof with the briefcase shown in an open position; and,

FIG. 8 is a front view thereof.

1 Claim, 5 Drawing Sheets



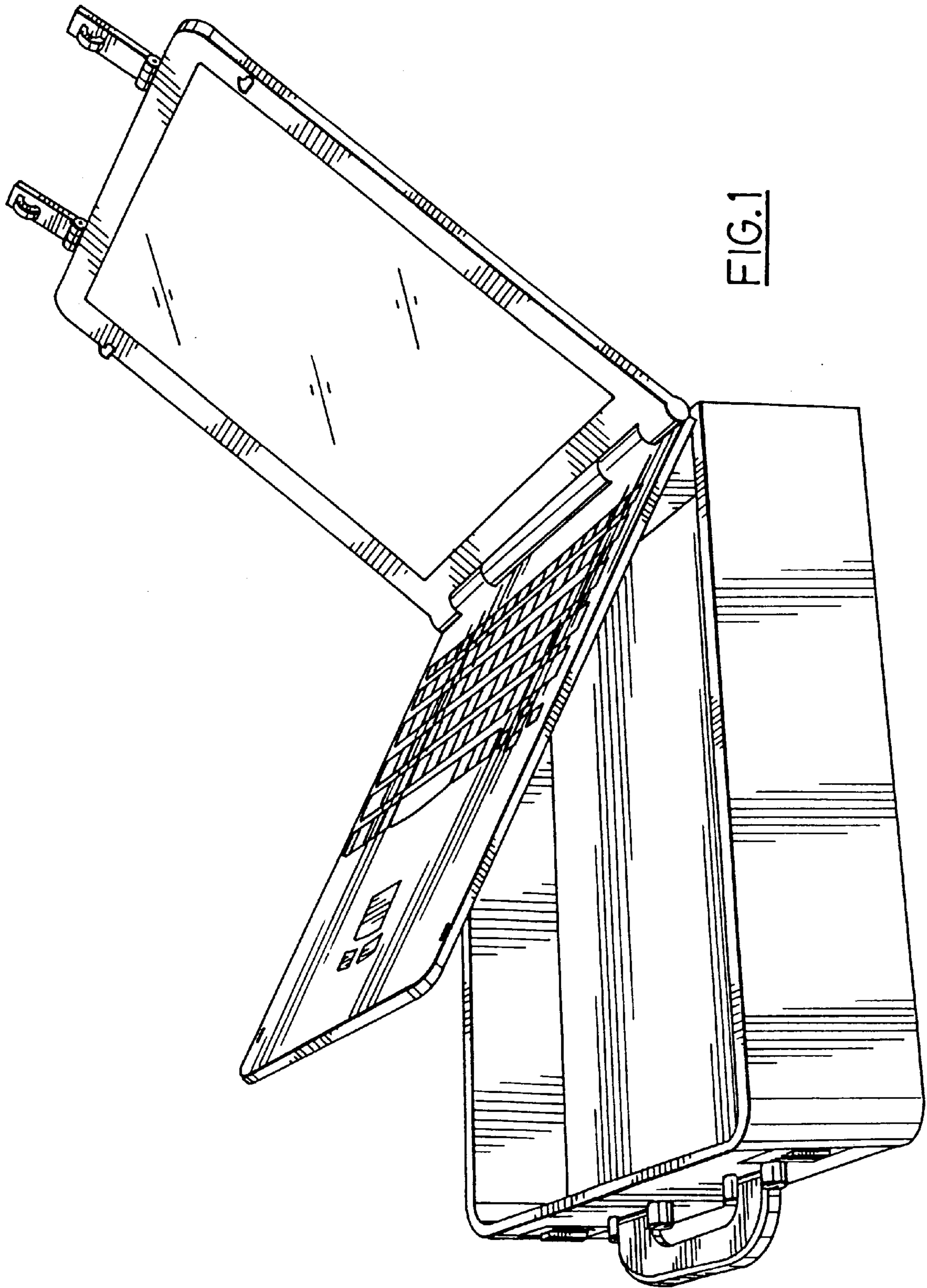


FIG. 1

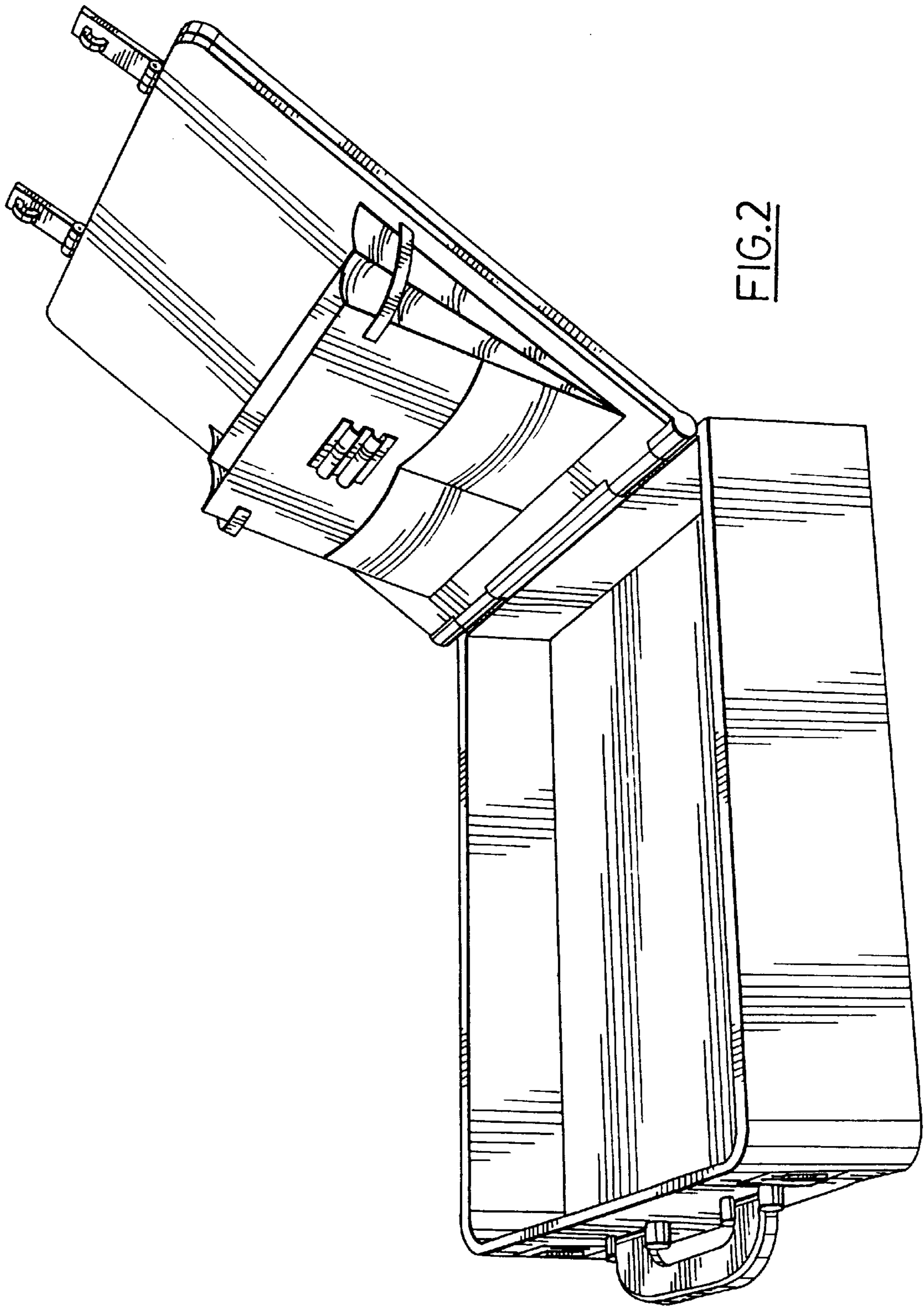


FIG. 2

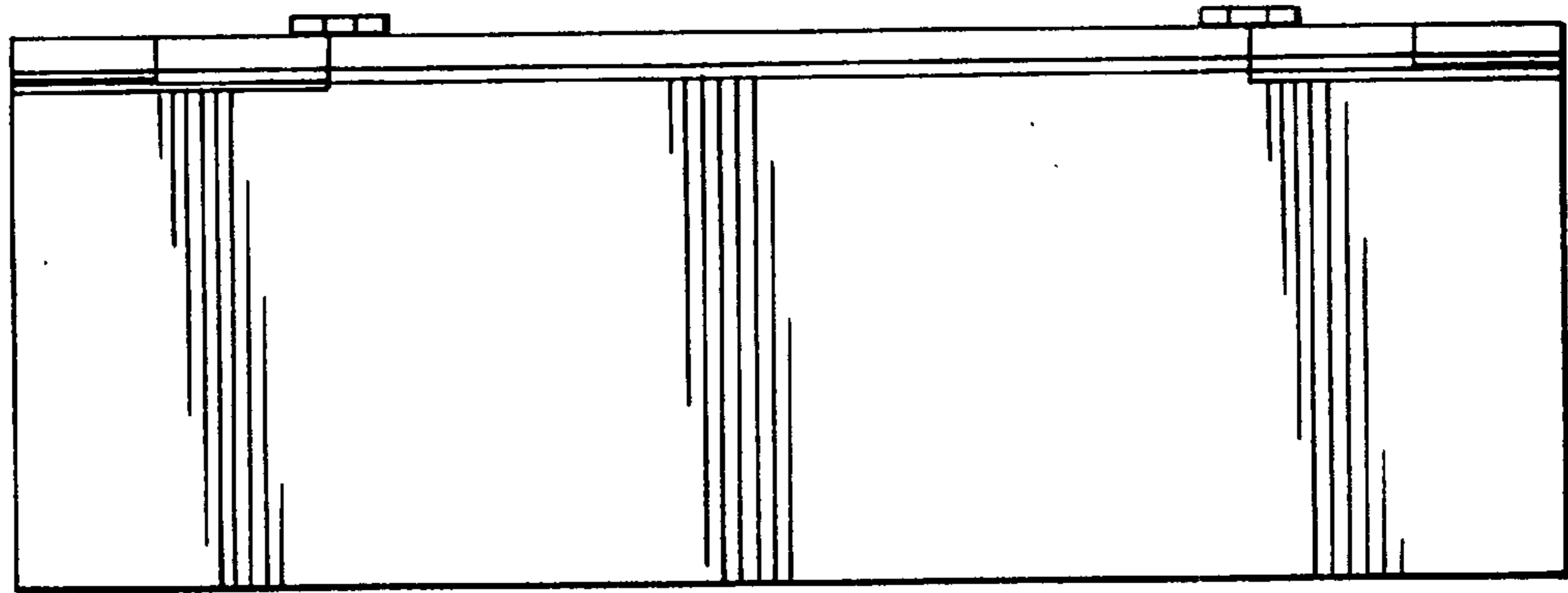


FIG. 3

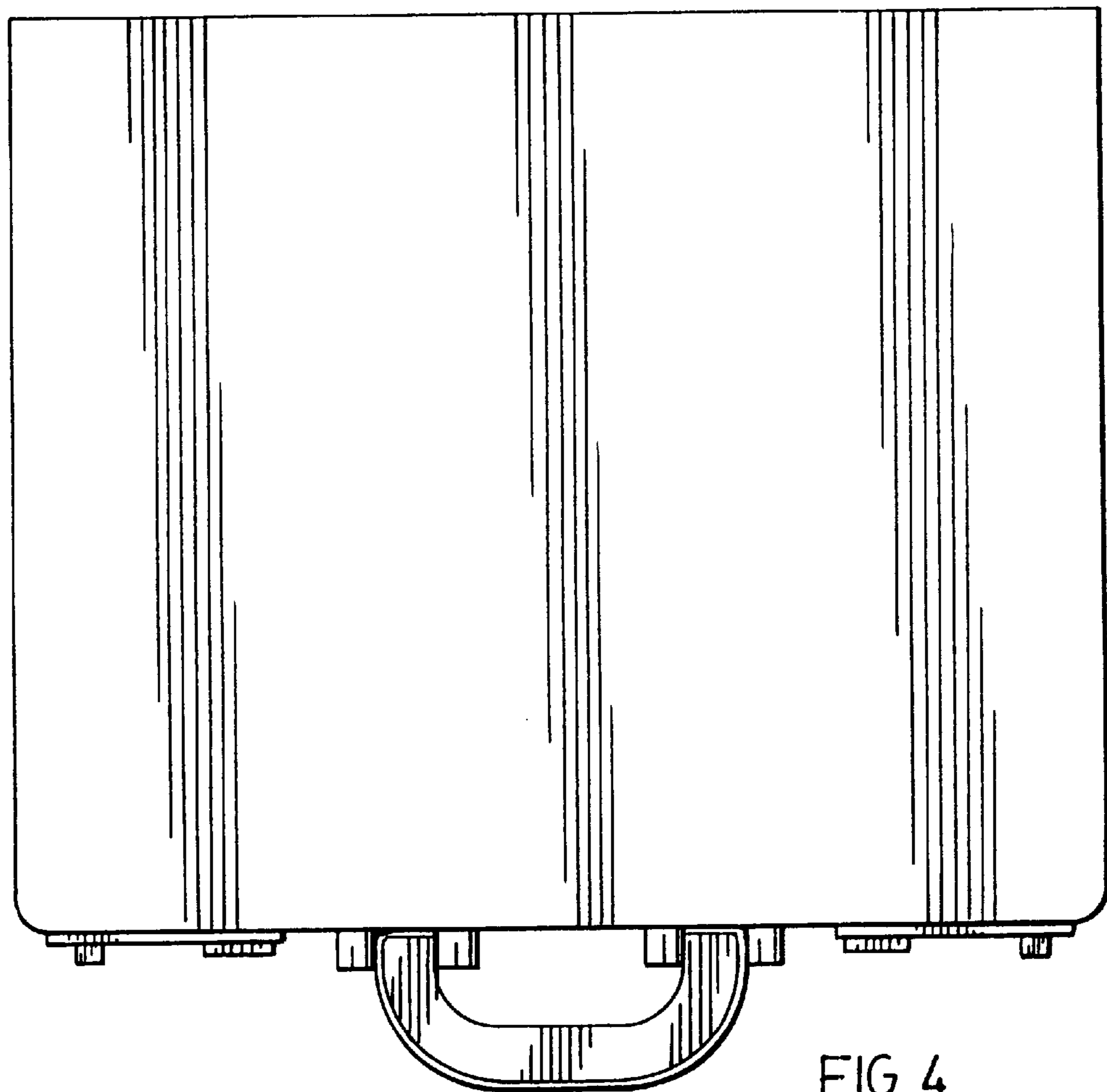


FIG. 4

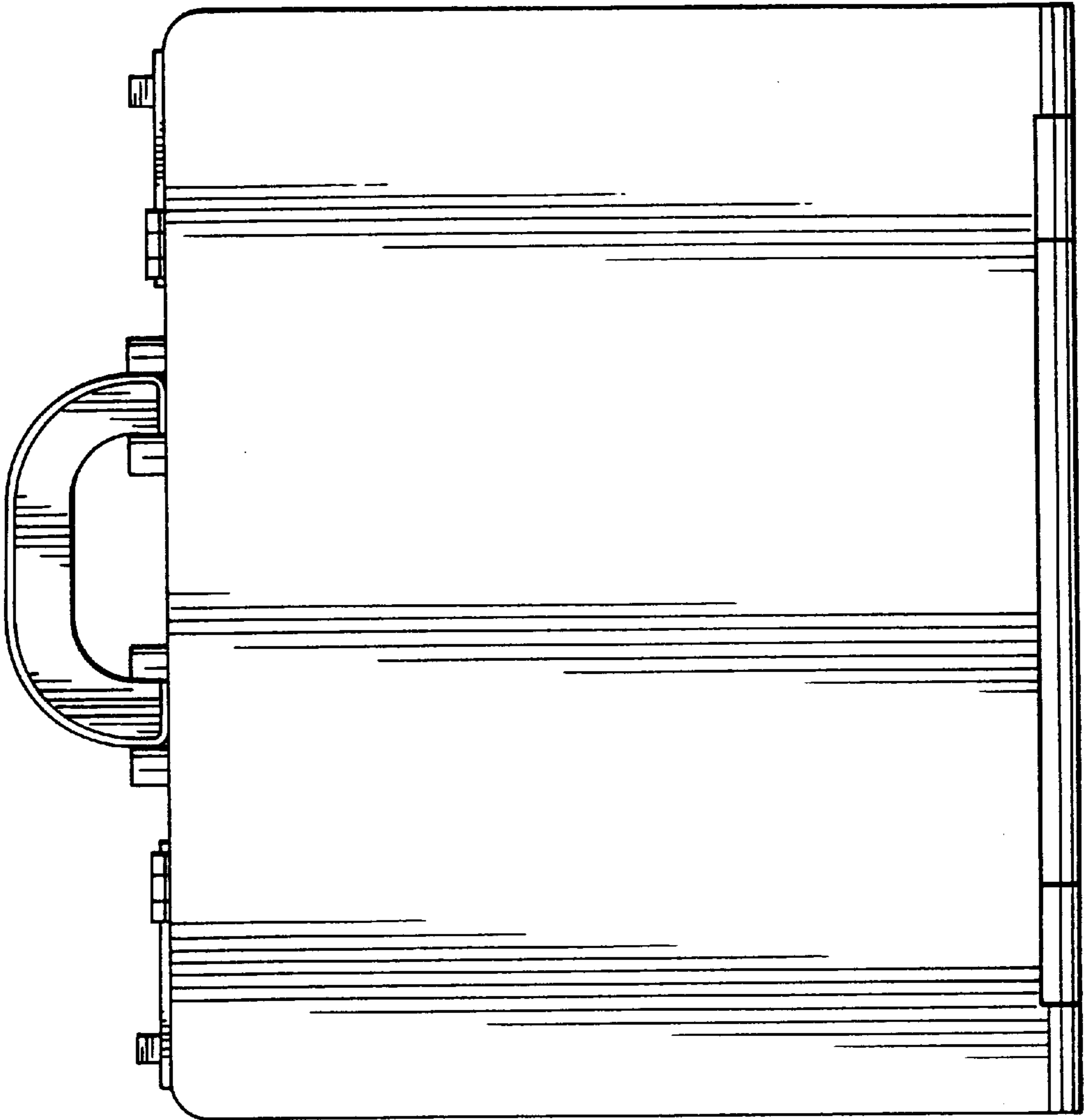


FIG. 5

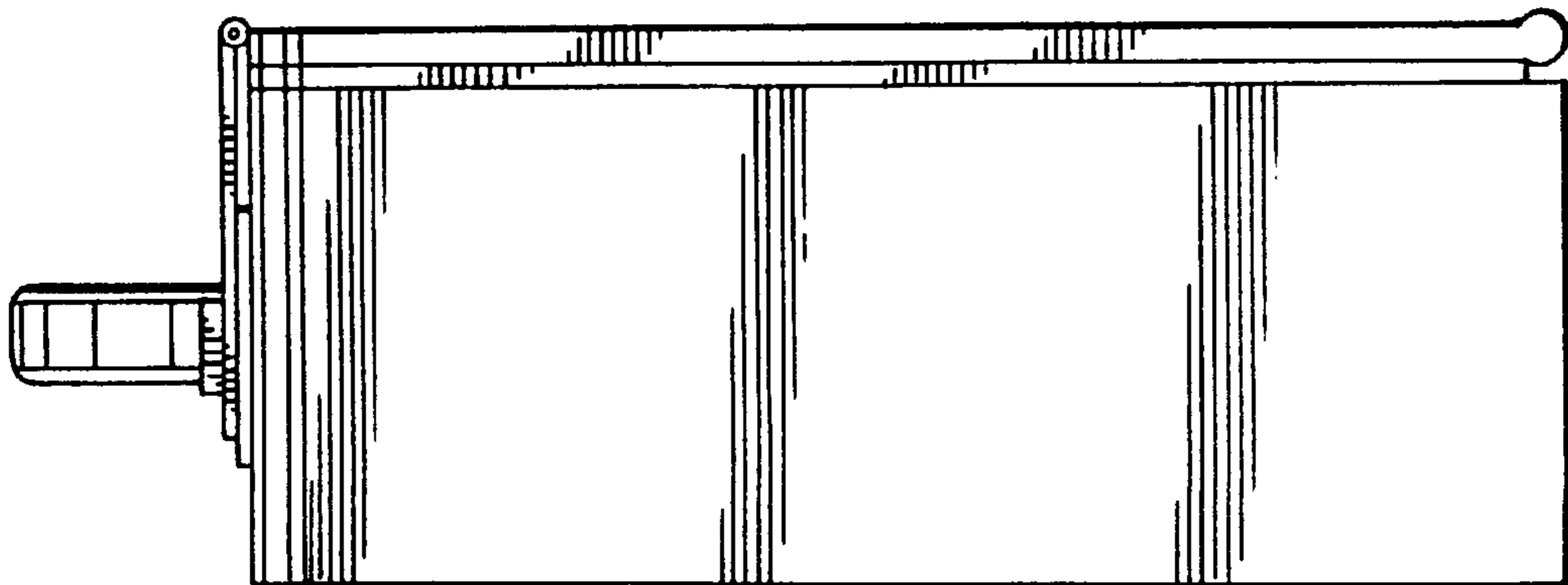


FIG. 6

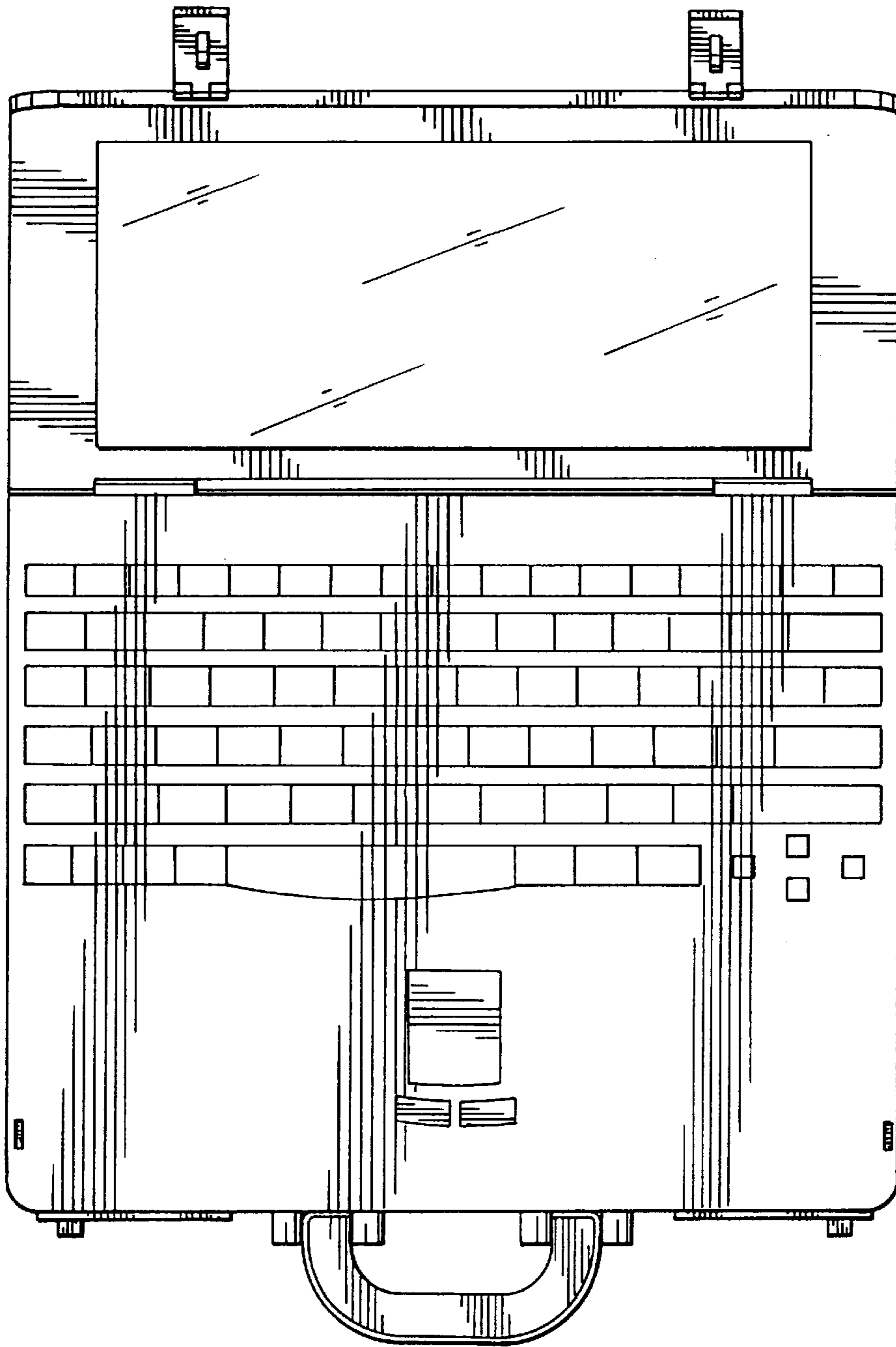


FIG. 7

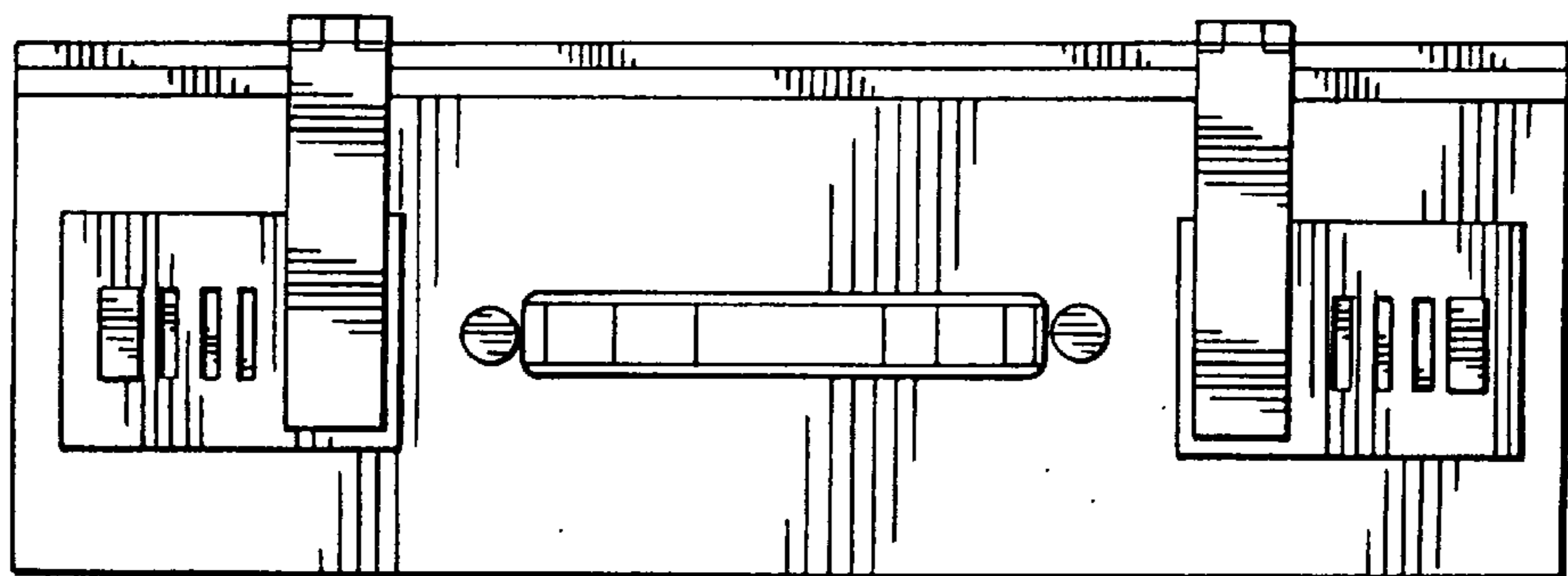


FIG. 8