



US00D414748S

# United States Patent [19]

Pierson et al.

[11] **Patent Number: Des. 414,748**

[45] **Date of Patent: \*\* Oct. 5, 1999**

[54] **DOORBELL BUTTON**

D. 197,278 1/1964 Stevenson ..... D13/171  
5,767,465 6/1998 Fulton et al. .... 200/520 X

[76] Inventors: **Theodore Pierson**, 8131 31st Ave. SW.,  
Seattle, Wash. 98126; **Tom Gordon**,  
7162 NE. Winfred St., Suquamish,  
Wash. 98392

*Primary Examiner*—Alan P. Douglas  
*Assistant Examiner*—Lavone D. Tabor

[\*\*] Term: **14 Years**

[57] **CLAIM**

The ornamental design for a doorbell button, as shown and described.

[21] Appl. No.: **29/087,297**

[22] Filed: **Apr. 30, 1998**

**DESCRIPTION**

[51] **LOC (6) Cl.** ..... **13-03**

FIG. 1 is a front view.

[52] **U.S. Cl.** ..... **D13/171**

FIG. 2 is a side view.

[58] **Field of Search** ..... D10/118, 121;

FIG. 3 is a rear view; and,

D13/158, 171, 174; 200/314, 329, 341,  
510, 513, 520, 534; 340/384.1, 393.3, 397.1

FIG. 4 is a perspective view.

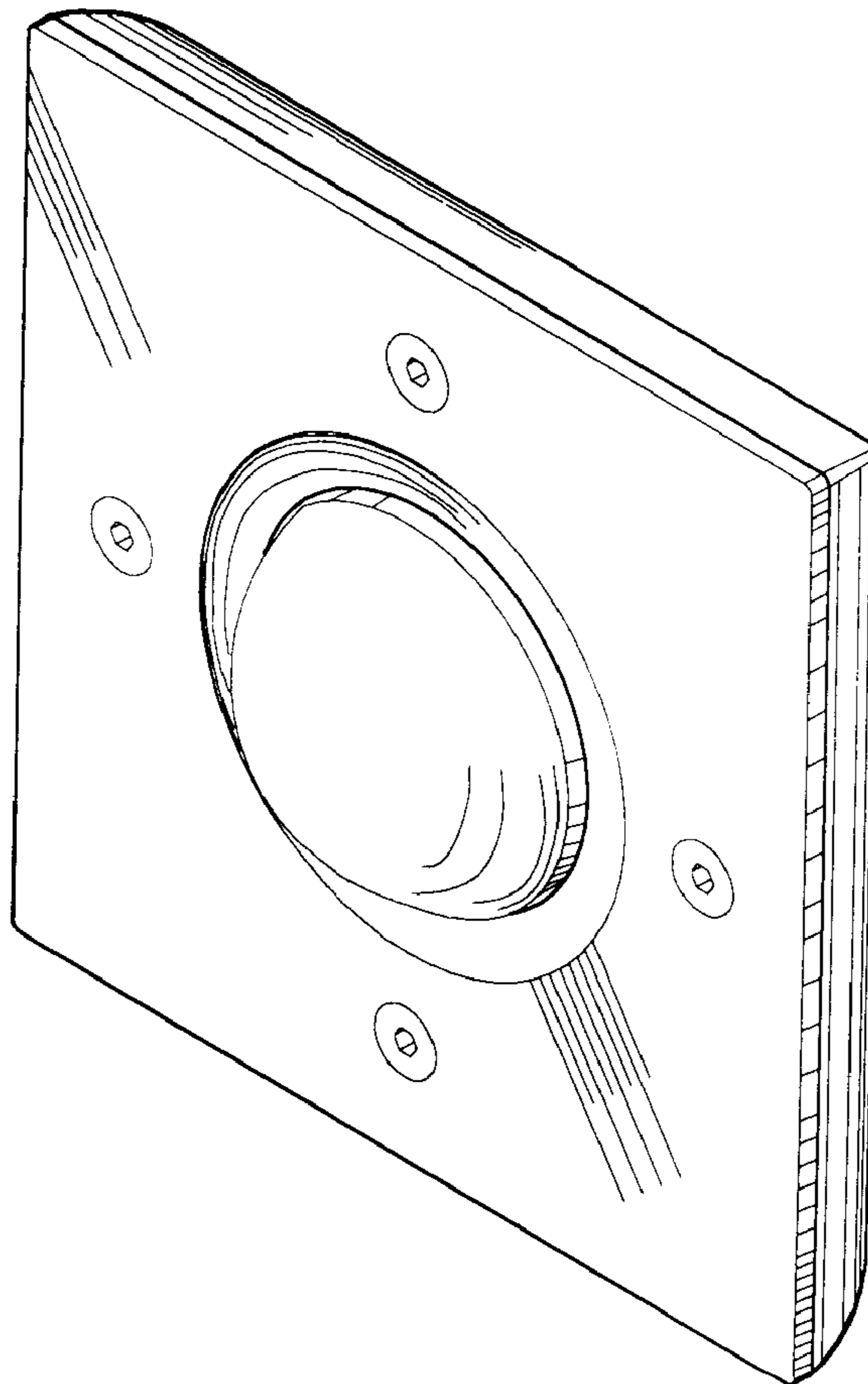
The undisclosed side and bottom of the claimed design are mirror images of the side and top that are shown, respectively, in FIGS. 2 and 4.

[56] **References Cited**

**U.S. PATENT DOCUMENTS**

D. 185,631 7/1959 Dreyfuss ..... D13/171

**1 Claim, 1 Drawing Sheet**



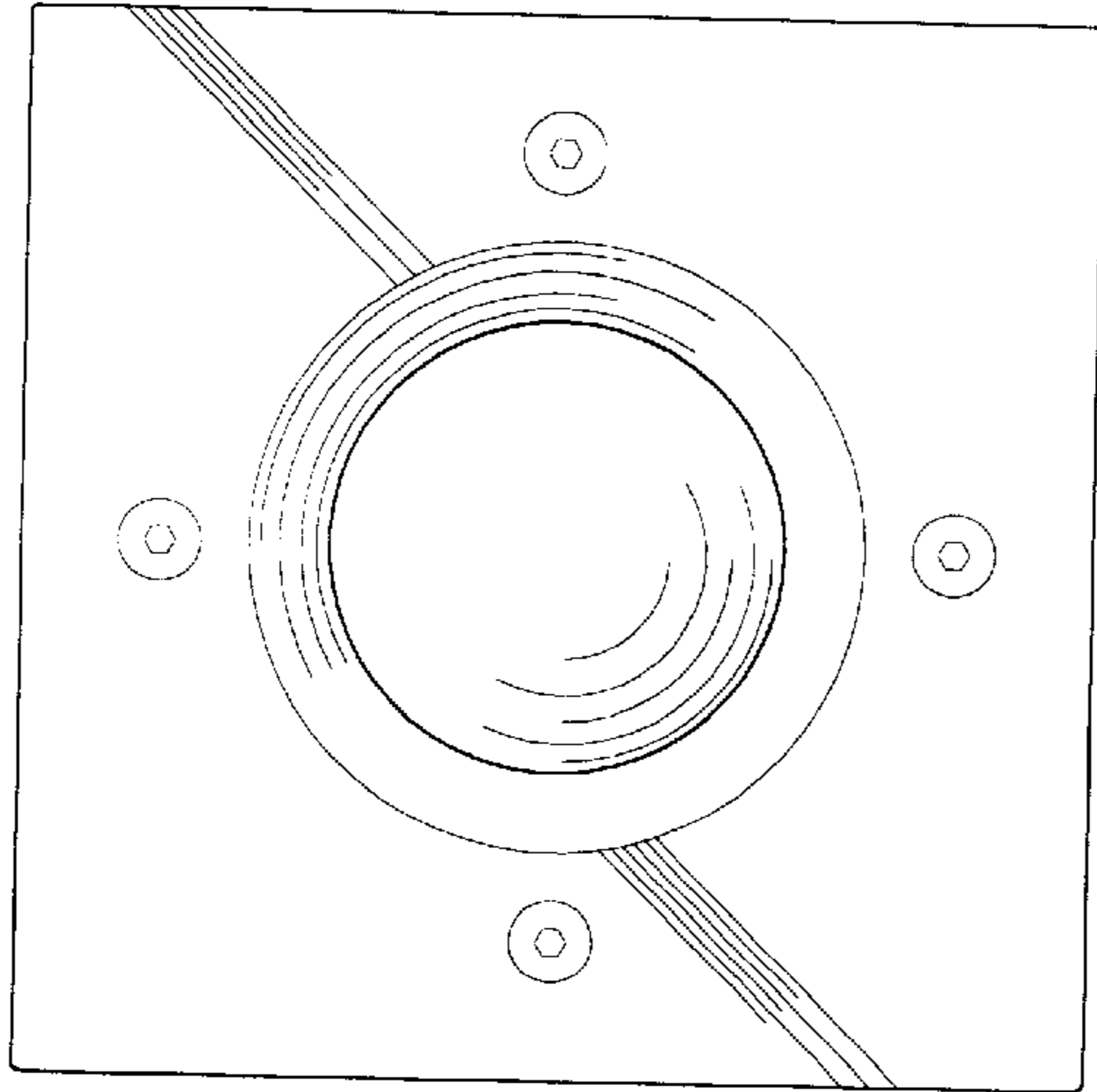


Fig. 1

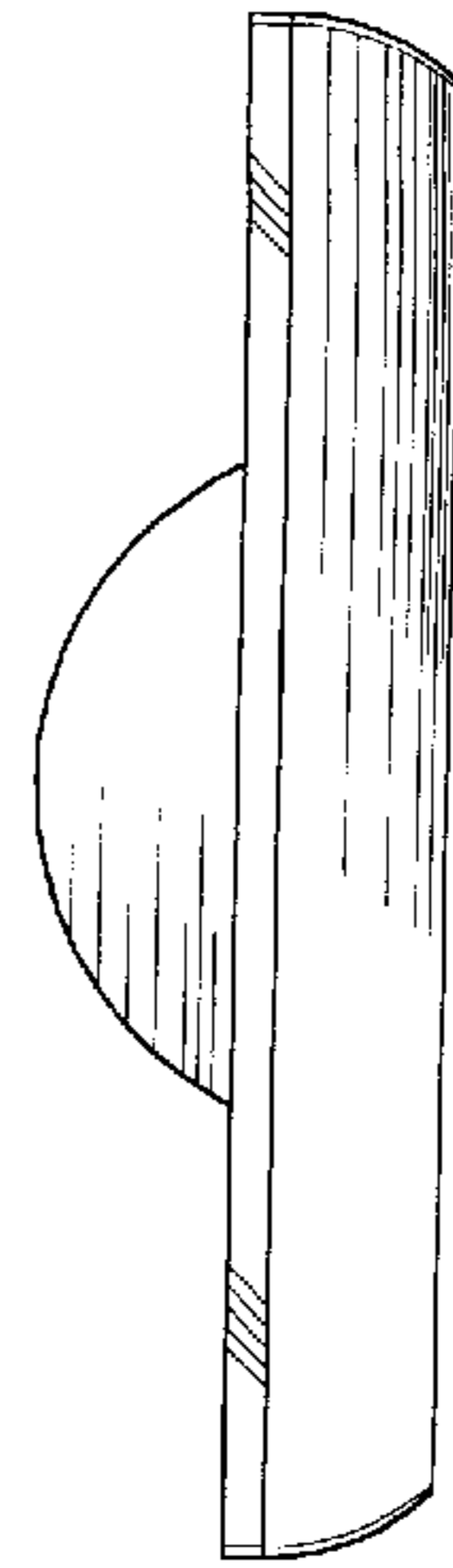


Fig. 2

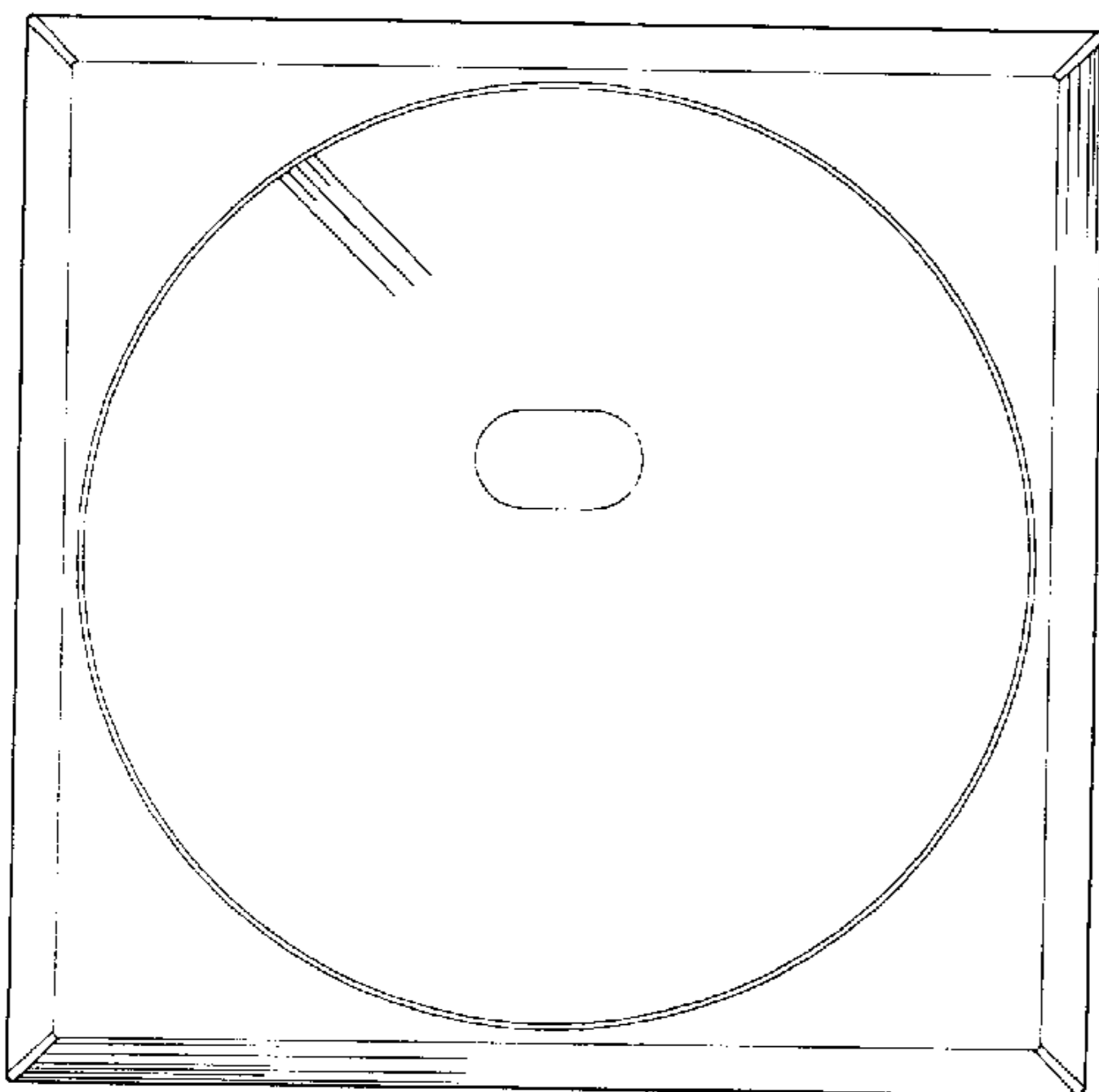


Fig. 3

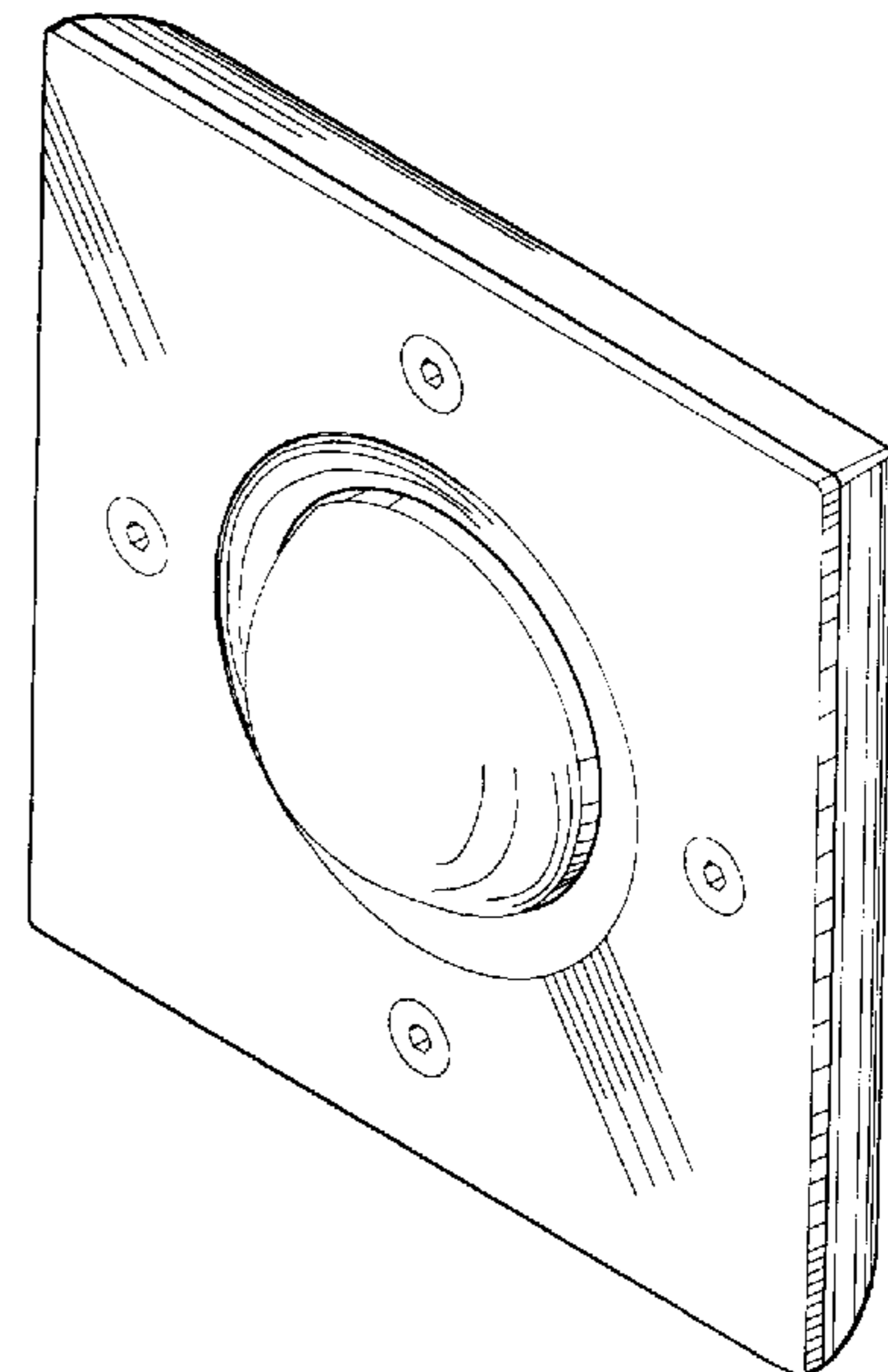


Fig. 4