



US00D414747S

# United States Patent [19]

## Aromin

[11] **Patent Number: Des. 414,747**

[45] **Date of Patent: \*\* Oct. 5, 1999**

[54] **GROUND FAULT CIRCUIT INTERRUPTER**

[75] Inventor: **Victor V. Aromin**, West Warwick, R.I.

[73] Assignee: **Tower Manufacturing Corporation**, Providence, R.I.

[\*\*] Term: **14 Years**

[21] Appl. No.: **29/092,118**

[22] Filed: **Aug. 12, 1998**

[51] **LOC (6) Cl.** ..... **13-03**

[52] **U.S. Cl.** ..... **D13/160**

[58] **Field of Search** ..... D13/138.1, 138.2,  
D13/160, 162, 178; 174/65 R, 77 R, 92;  
361/42, 45, 115

[56] **References Cited**

**U.S. PATENT DOCUMENTS**

D. 325,380	4/1992	Rao et al.	.....	D13/160
D. 341,816	11/1993	Nagano	.....	D13/138.1
D. 356,066	3/1995	Rao et al.	.....	D13/160
D. 360,401	7/1995	Chen	.....	D13/138.1
D. 364,826	12/1995	Wu	.....	D13/160
5,661,623	8/1997	McDonald et al.	.....	361/42
5,862,029	1/1999	Nicol	.....	361/42

*Primary Examiner*—Adir Aronovich  
*Attorney, Agent, or Firm*—Kriegsman & Kriegsman

[57] **CLAIM**

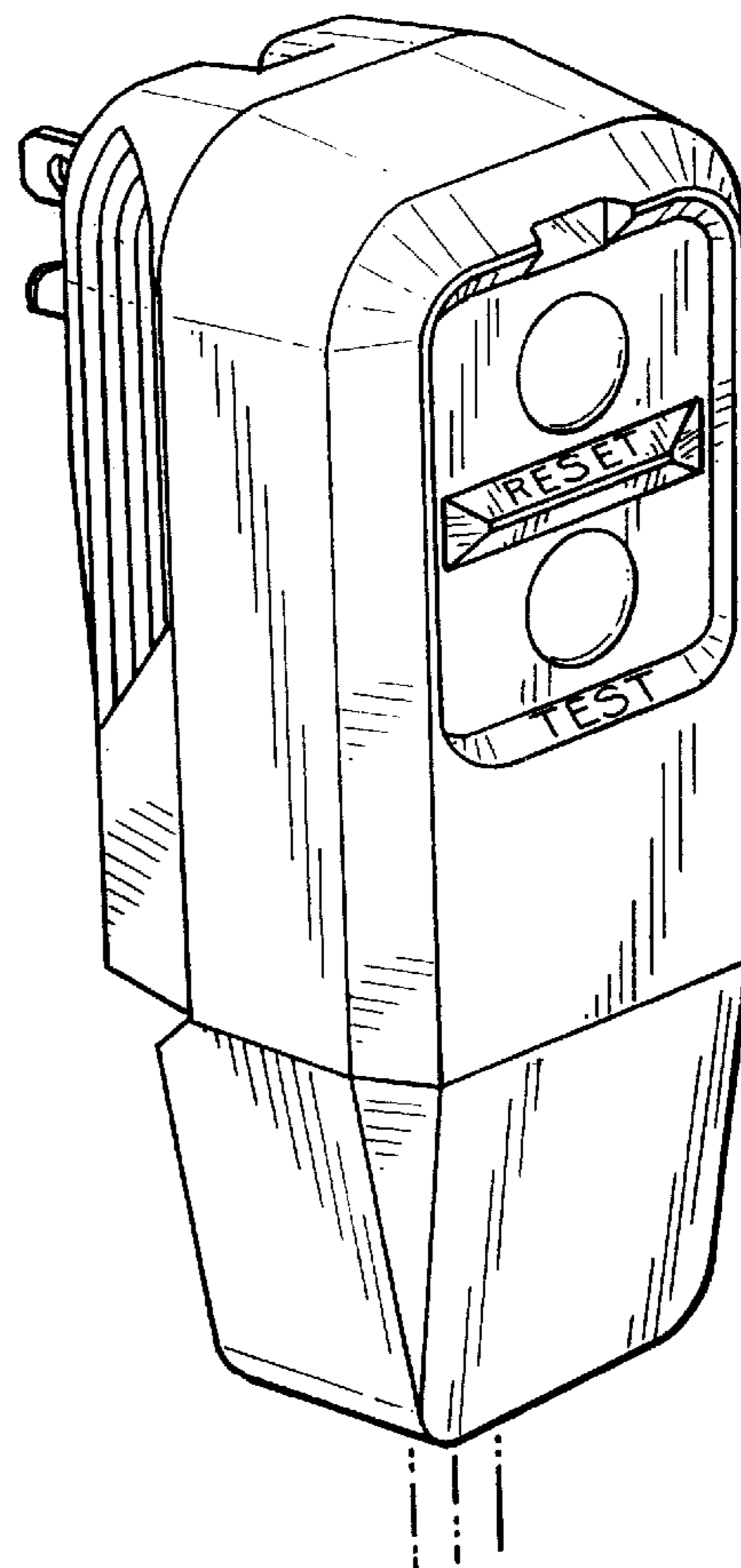
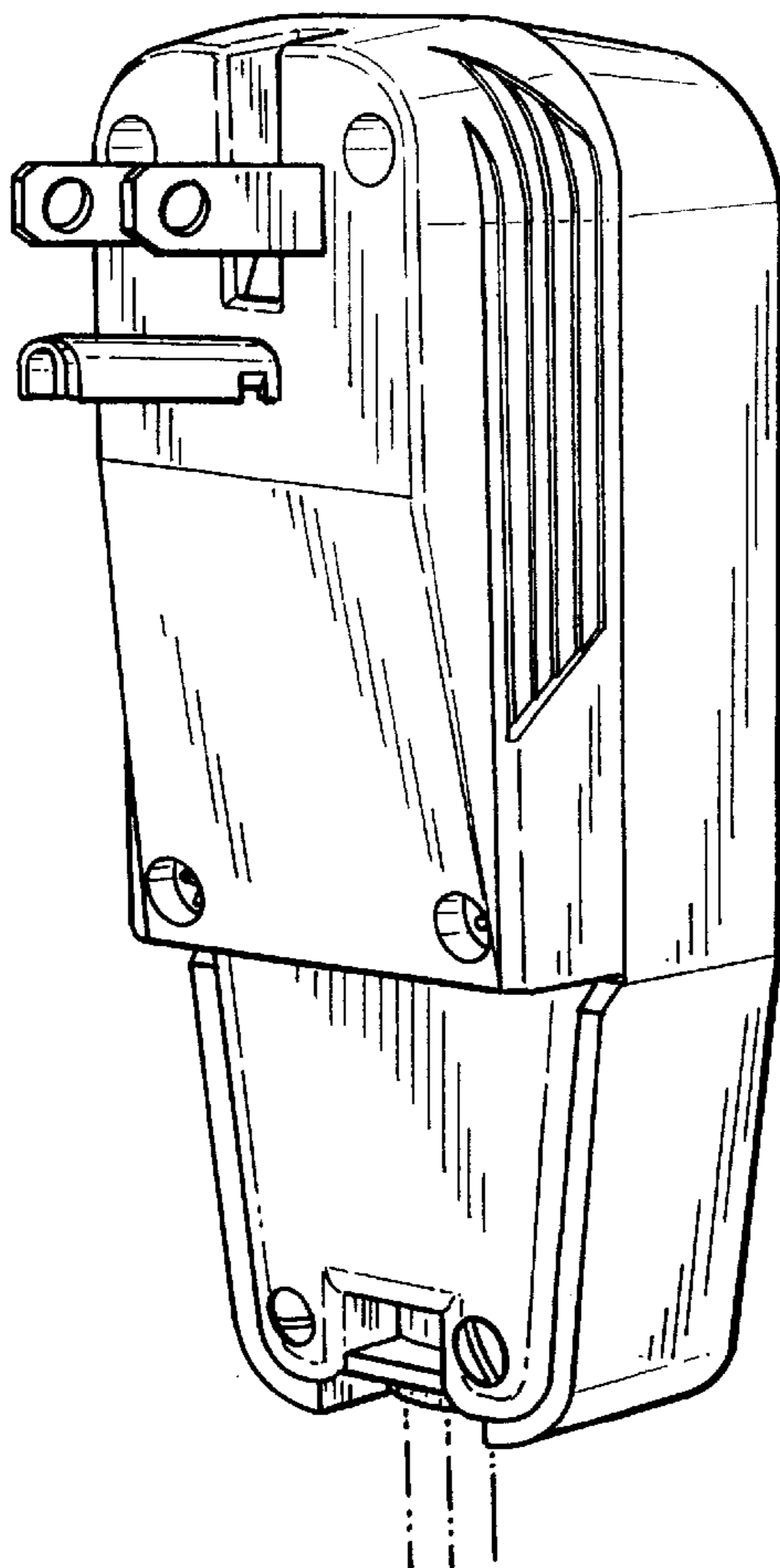
The ornamental design for a ground fault circuit interrupter, as shown and described.

**DESCRIPTION**

FIG. 1 is a rear and left side perspective view of a ground fault circuit interrupter showing my new design; FIG. 2 is a front and right side perspective view of the ground fault circuit interrupter shown in FIG. 1; FIG. 3 is a rear view of the ground fault circuit interrupter shown in FIG. 1; FIG. 4 is a left side view of the ground fault circuit interrupter shown in FIG. 1; FIG. 5 is a front view of the ground fault circuit interrupter shown in FIG. 1; FIG. 6 is a top view of the ground fault circuit interrupter shown in FIG. 1; and, FIG. 7 is a bottom view of the ground fault circuit interrupter shown in FIG. 1.

The broken lines in FIGS. 1-5 are illustrated to show the environment only and form no part of the claimed design.

**1 Claim, 2 Drawing Sheets**



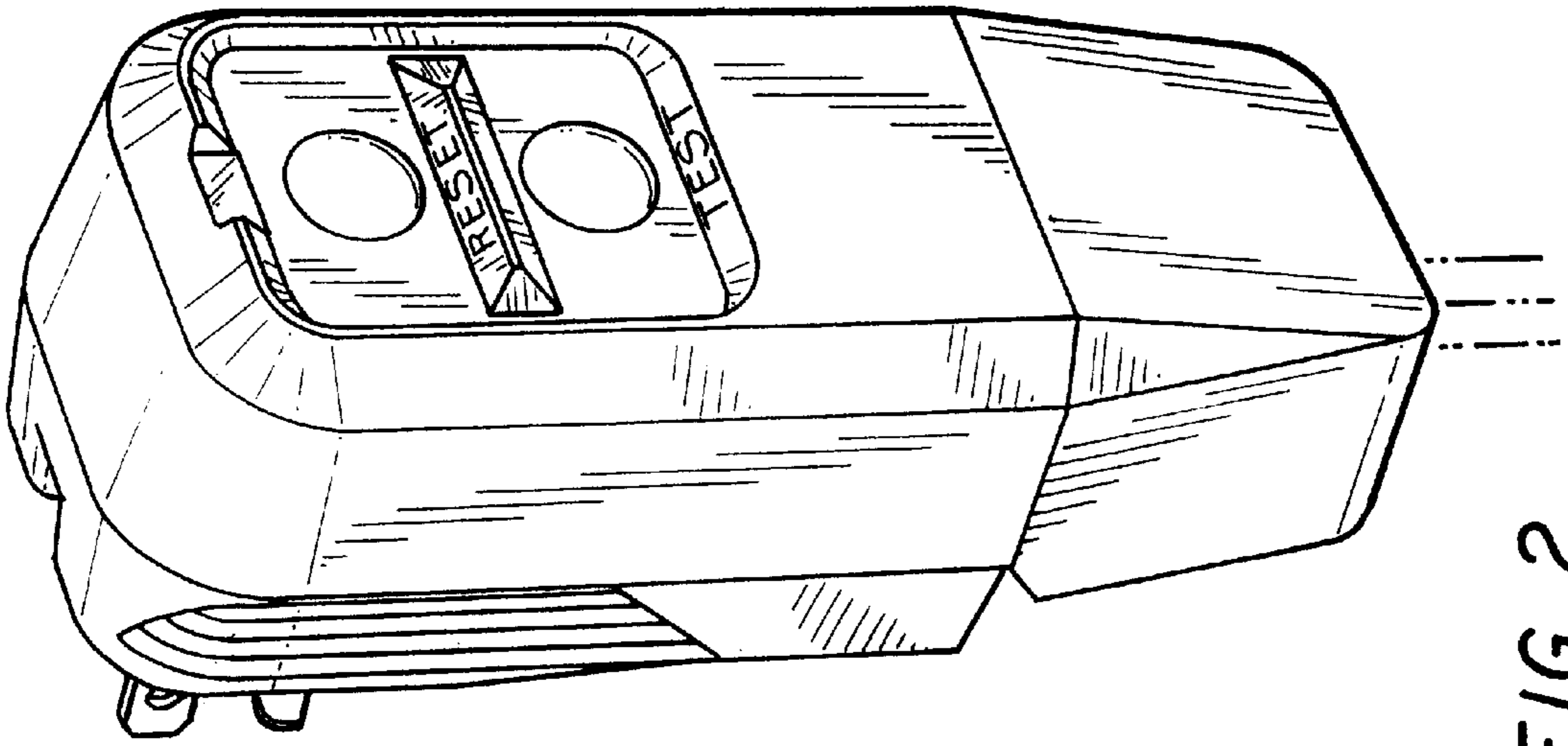


FIG. 2

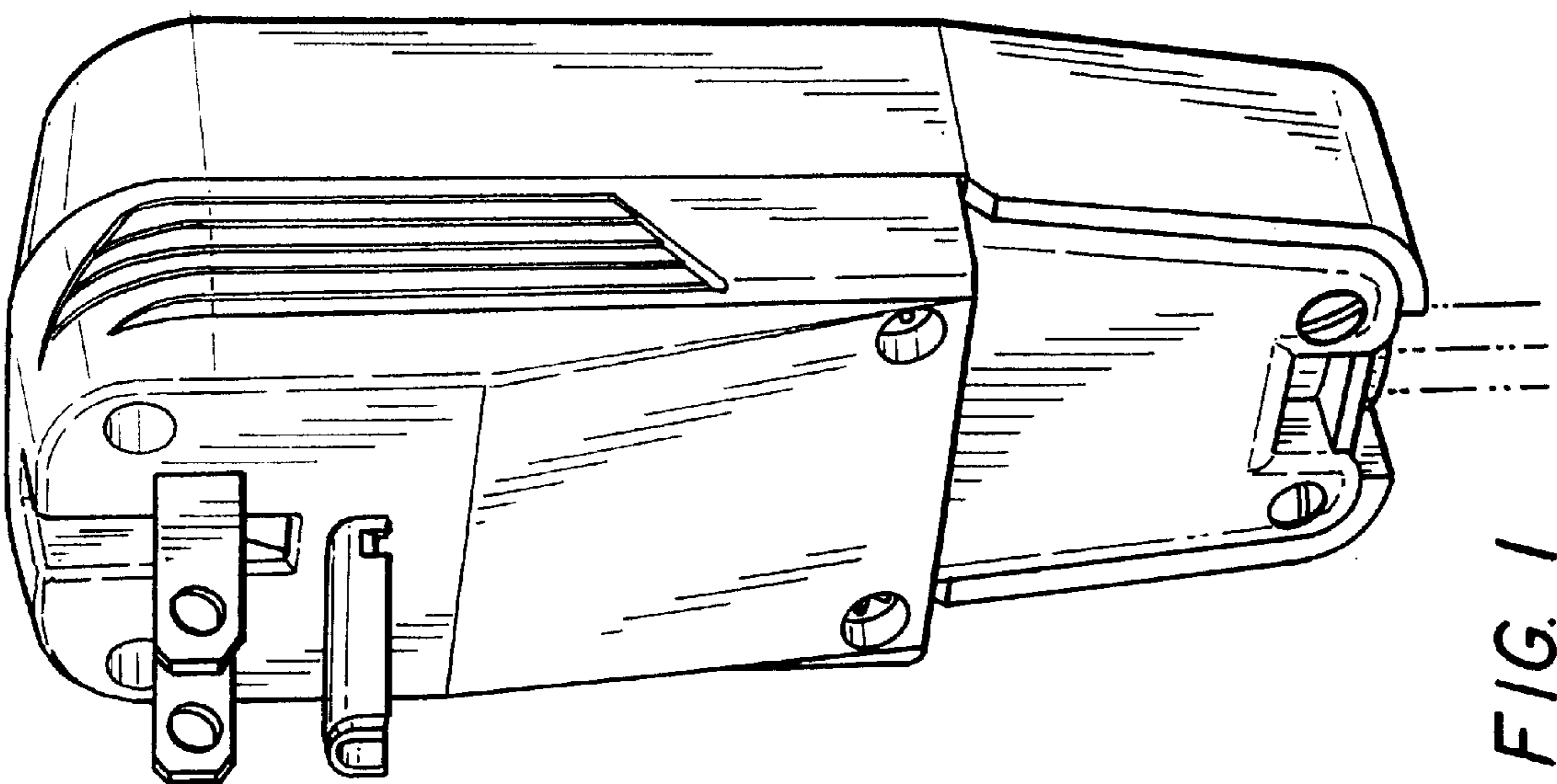


FIG. 1

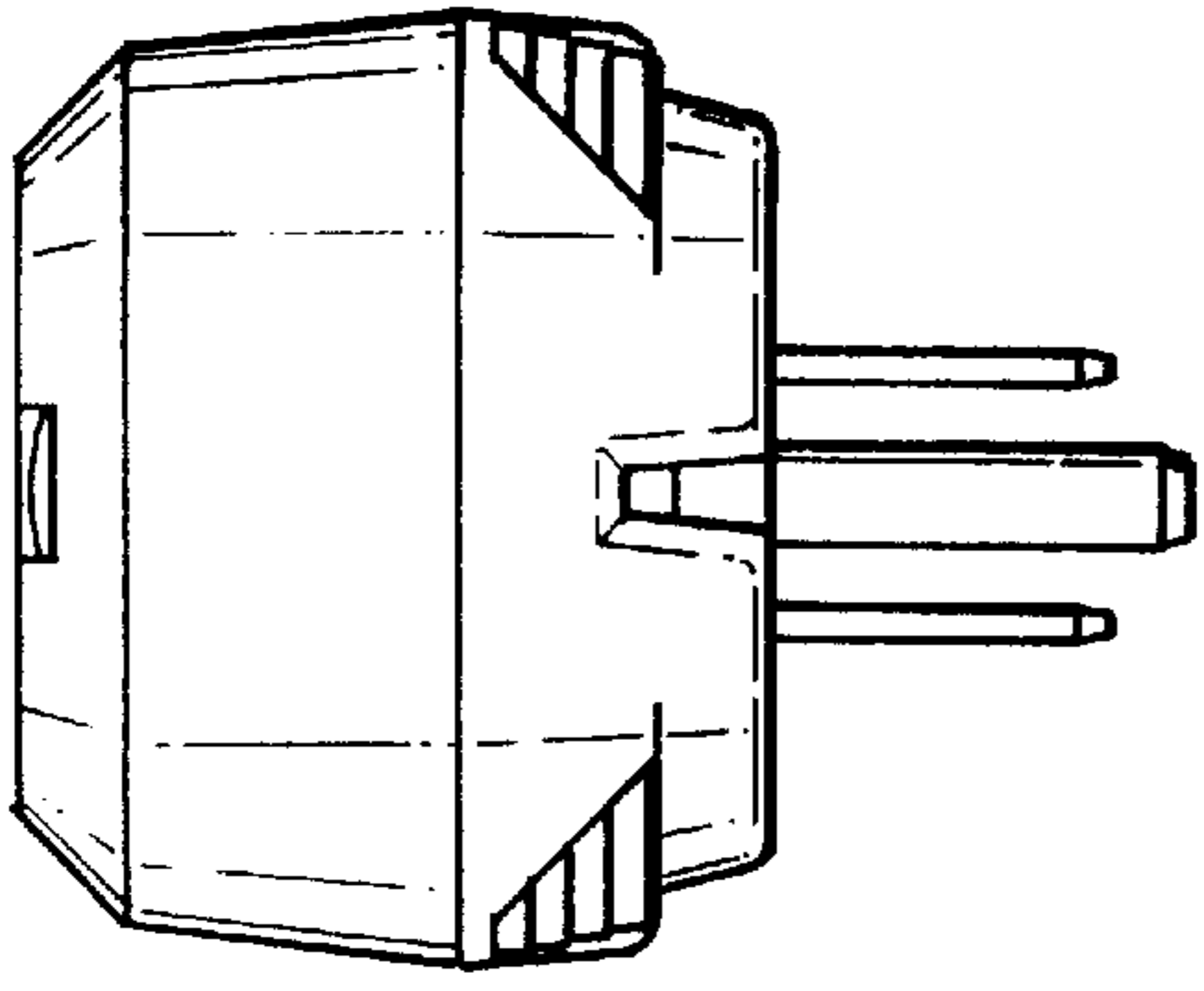


FIG. 6

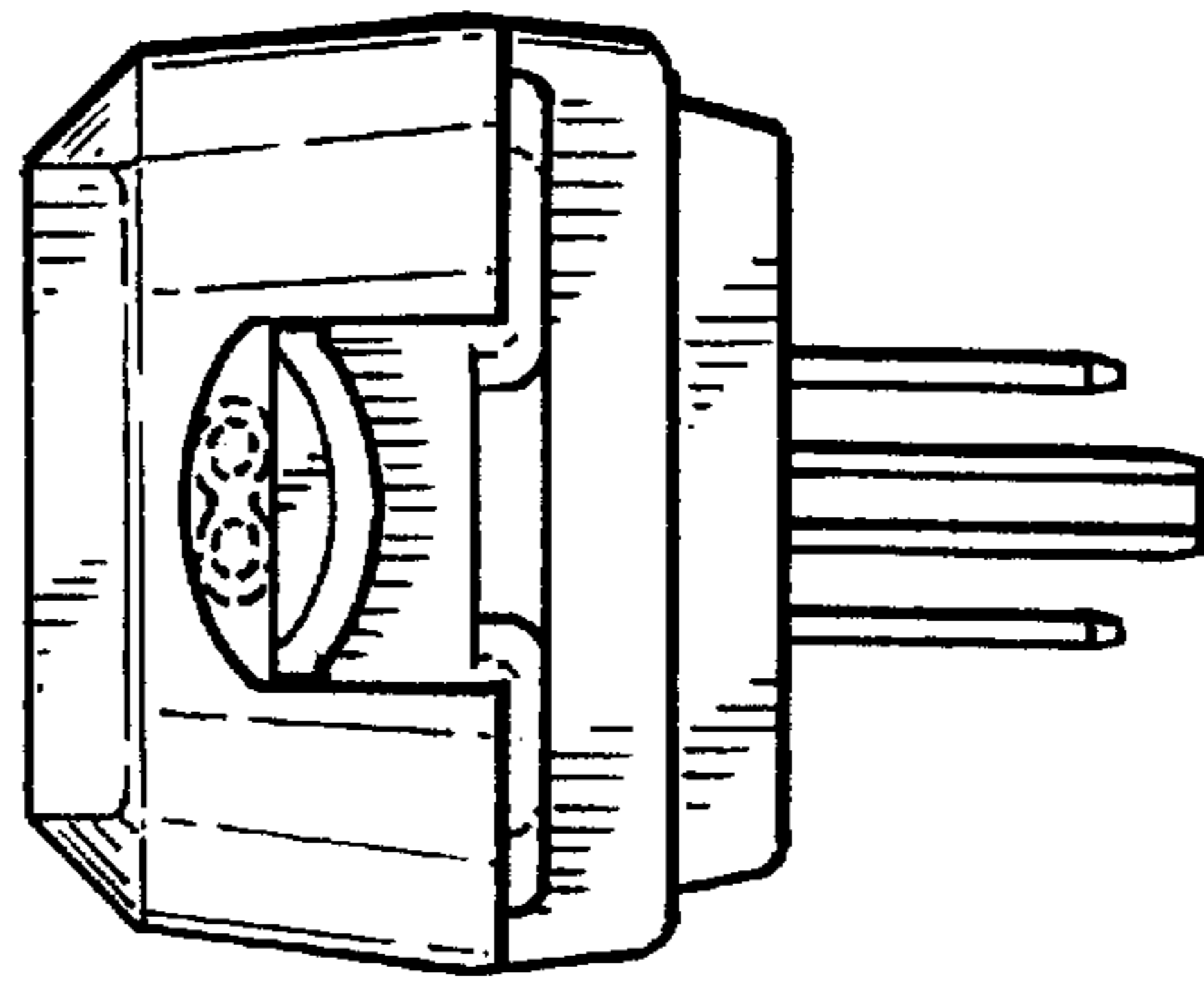


FIG. 7

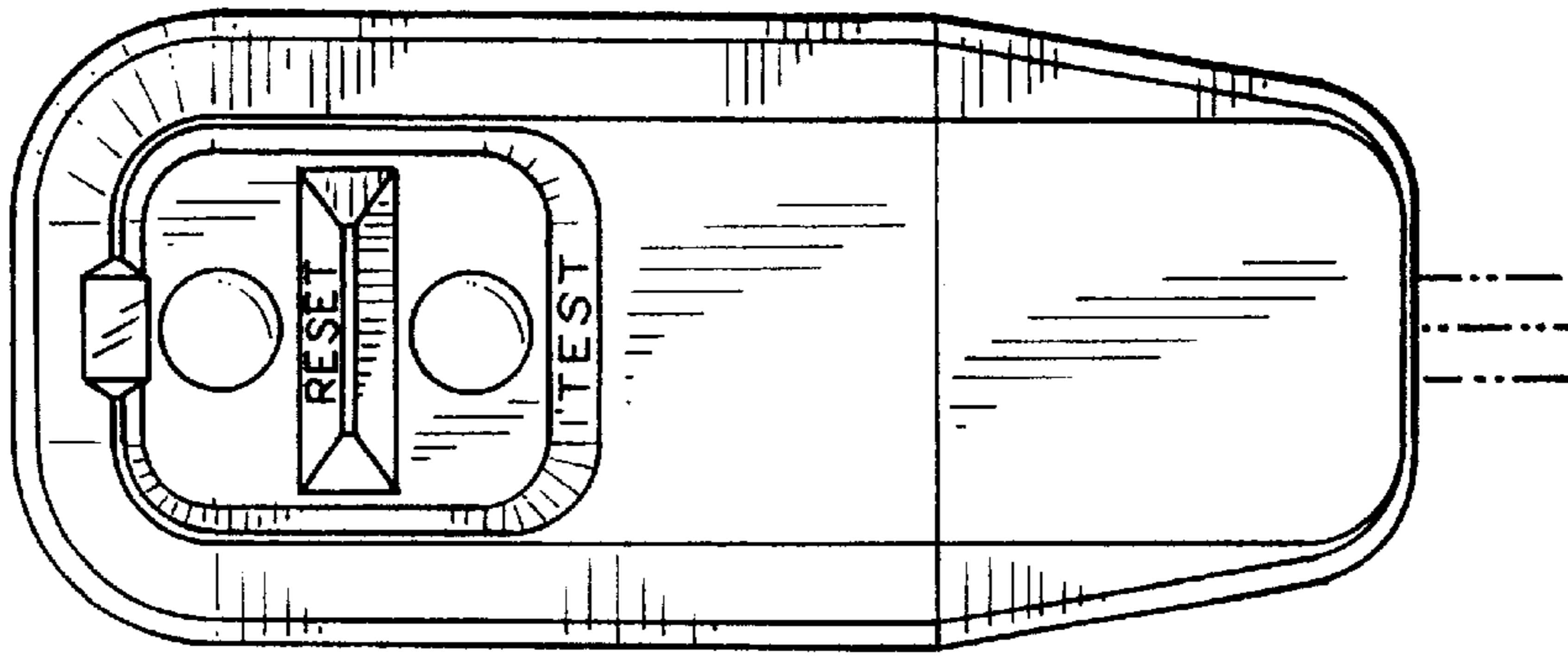


FIG. 5

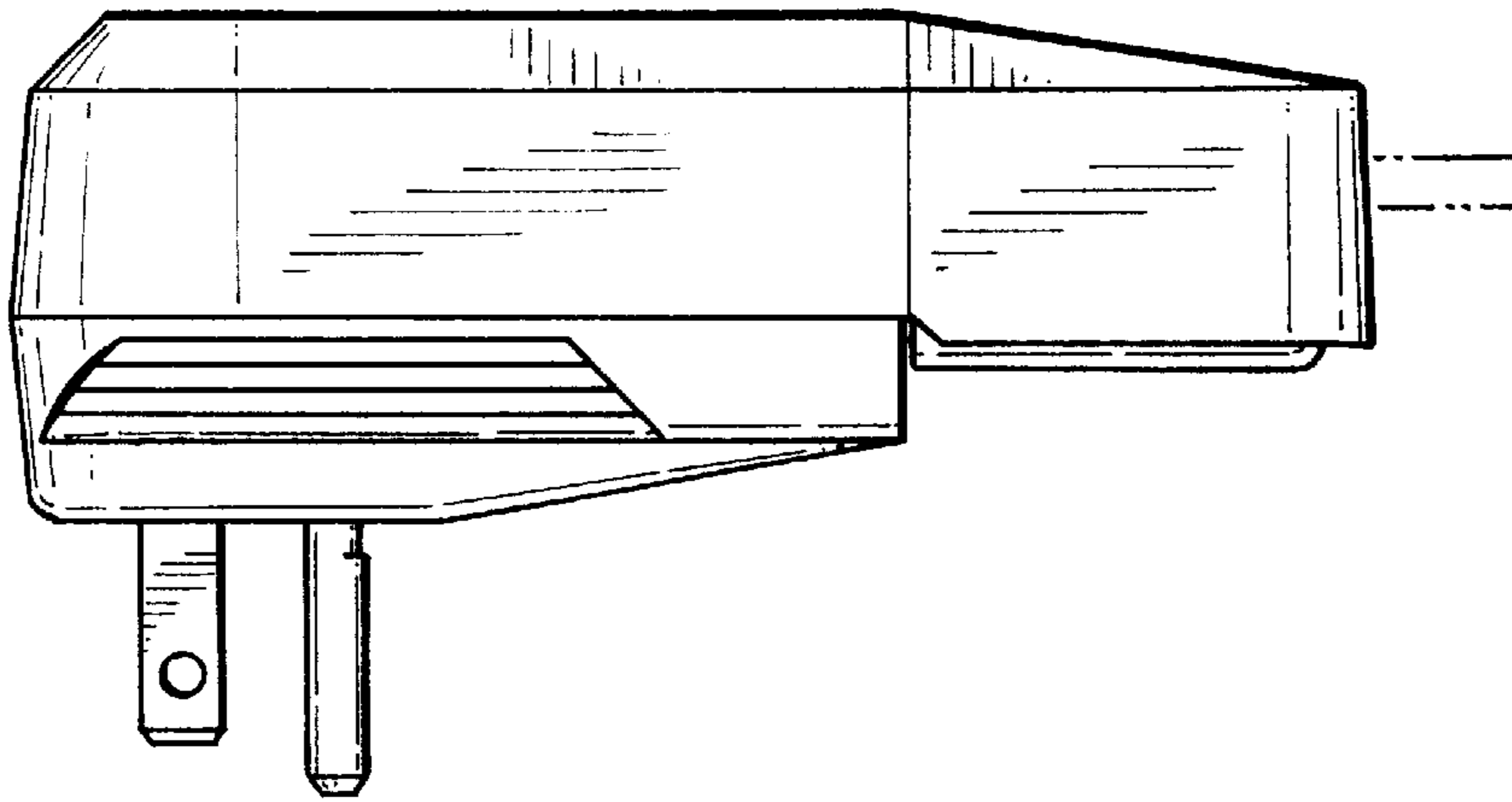


FIG. 4

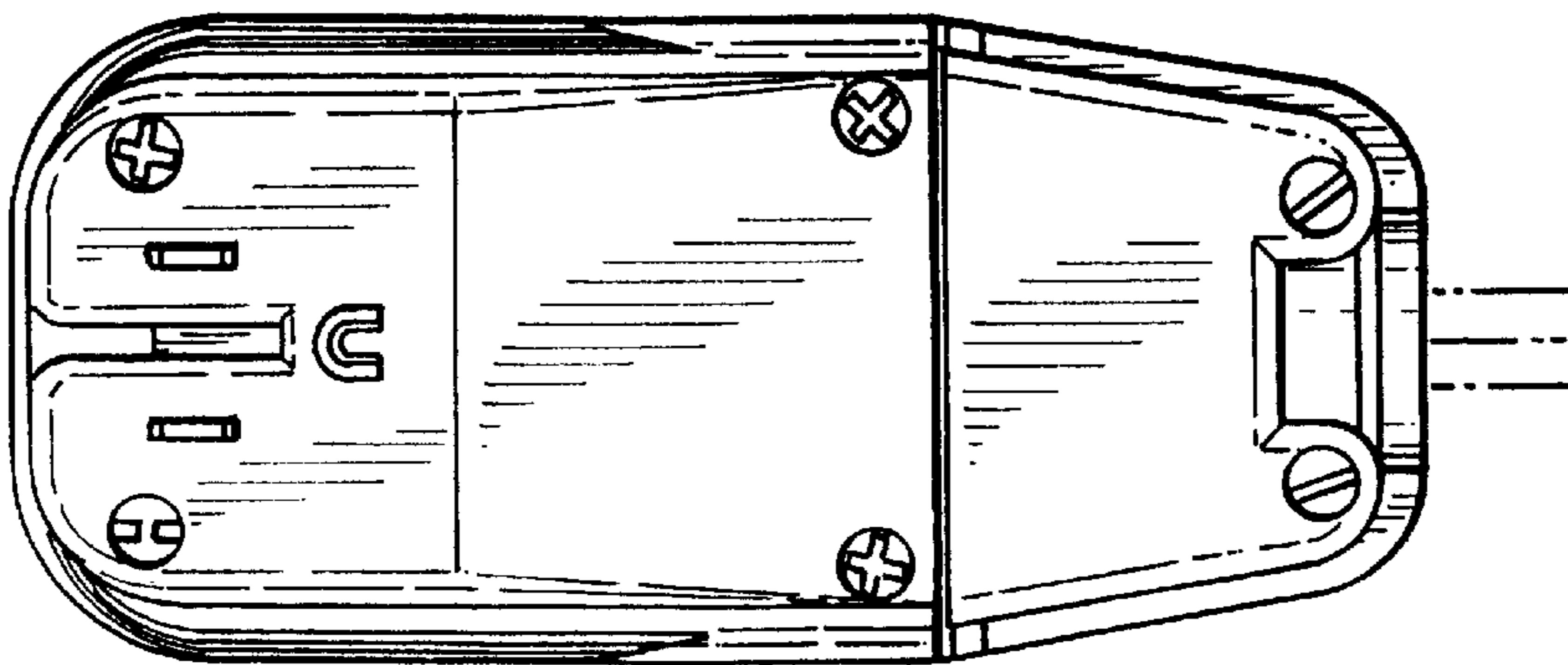


FIG. 3